



US00D941254S

(12) **United States Design Patent**
Song et al.

(10) **Patent No.:** **US D941,254 S**
(45) **Date of Patent:** **** Jan. 18, 2022**

(54) **SHIELDING SHELL**

(71) Applicant: **Dongguan Luxshare Technologies Co., Ltd**, Dongguan (CN)

(72) Inventors: **Tao Song**, Dongguan (CN); **Kun Liu**, Dongguan (CN); **Rongzhe Guo**, Dongguan (CN); **Chuanqi Gong**, Dongguan (CN); **Xiaogang Liu**, Dongguan (CN); **Ming Li**, Dongguan (CN)

(73) Assignee: **DONGGUAN LUXSHARE TECHNOLOGIES CO., LTD**, Dongguan (CN)

(**) Term: **15 Years**

(21) Appl. No.: **29/759,392**

(22) Filed: **Nov. 23, 2020**

(30) **Foreign Application Priority Data**

Jun. 30, 2020 (CN) 202030346327.0

(51) **LOC (13) Cl.** **13-03**

(52) **U.S. Cl.**
USPC **D13/156**

(58) **Field of Classification Search**
USPC D13/133, 146, 147, 153, 154, 155, 156, D13/184, 199
CPC H01R 13/02; H01R 13/62; H01R 13/64; H01R 13/436; H01R 13/502; H01R 13/504; H01R 13/506; H01R 13/641; H01R 4/24; H01R 4/48; H01R 12/79

See application file for complete search history.

(56) **References Cited**

U.S. PATENT DOCUMENTS

4,046,452 A *	9/1977	Cassarly	H01R 13/514 439/594
6,312,288 B1 *	11/2001	Genz	H01R 4/2454 439/628
D560,614 S *	1/2008	McEvoy	D13/147
D605,138 S *	12/2009	Sogo	D13/154
D668,625 S *	10/2012	Tiengtum	D13/182
D706,227 S *	6/2014	Jiang	D13/156
D901,396 S *	11/2020	Kurita	D13/147

* cited by examiner

Primary Examiner — Derrick E Holland

(74) *Attorney, Agent, or Firm* — Birch, Stewart, Kolasch & Birch, LLP

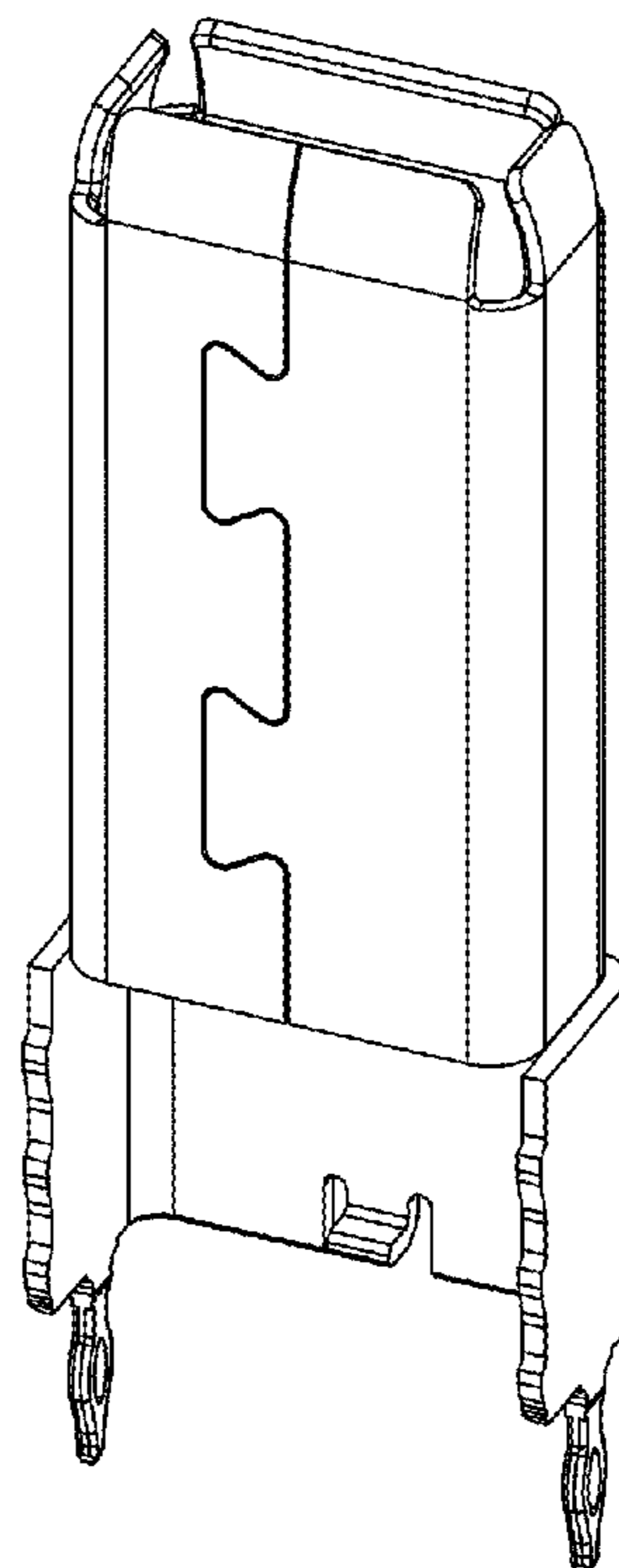
(57) **CLAIM**

The ornamental design for a shielding shell, as shown and described.

DESCRIPTION

FIG. 1 is a front, top and right side perspective view of a shielding shell showing our new design;
FIG. 2 is a front elevational view of the shielding shell;
FIG. 3 is a rear elevational view of the shielding shell;
FIG. 4 is a left side elevational view of the shielding shell;
FIG. 5 is a right side elevational view of the shielding shell;
FIG. 6 is a top plan view of the shielding shell; and,
FIG. 7 is a bottom plan view of the shielding shell.

1 Claim, 7 Drawing Sheets



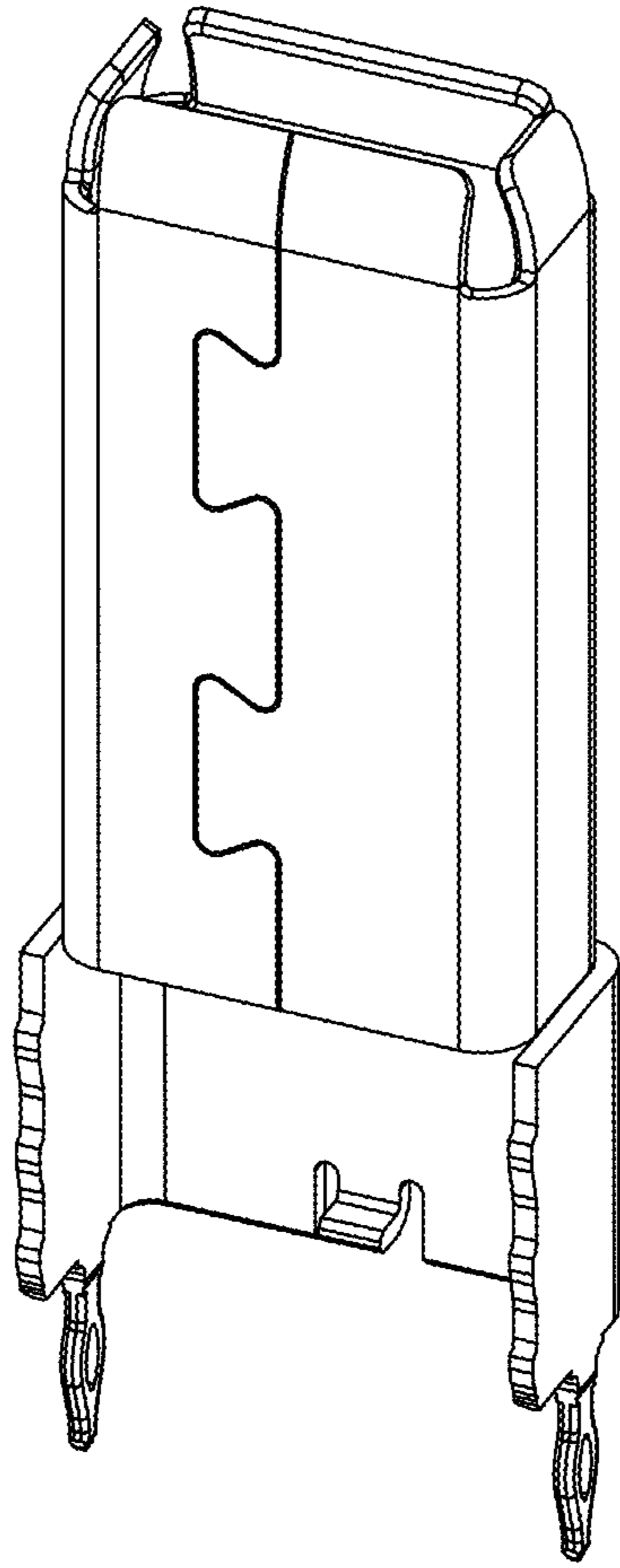


FIG. 1

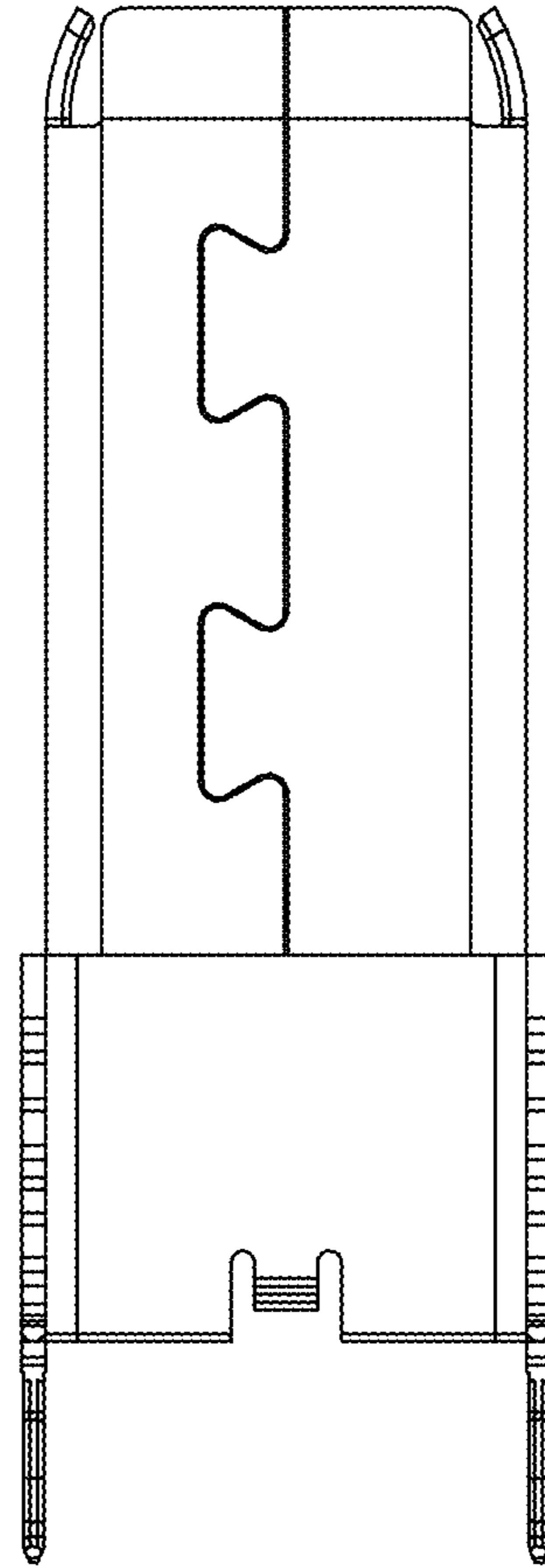


FIG. 2

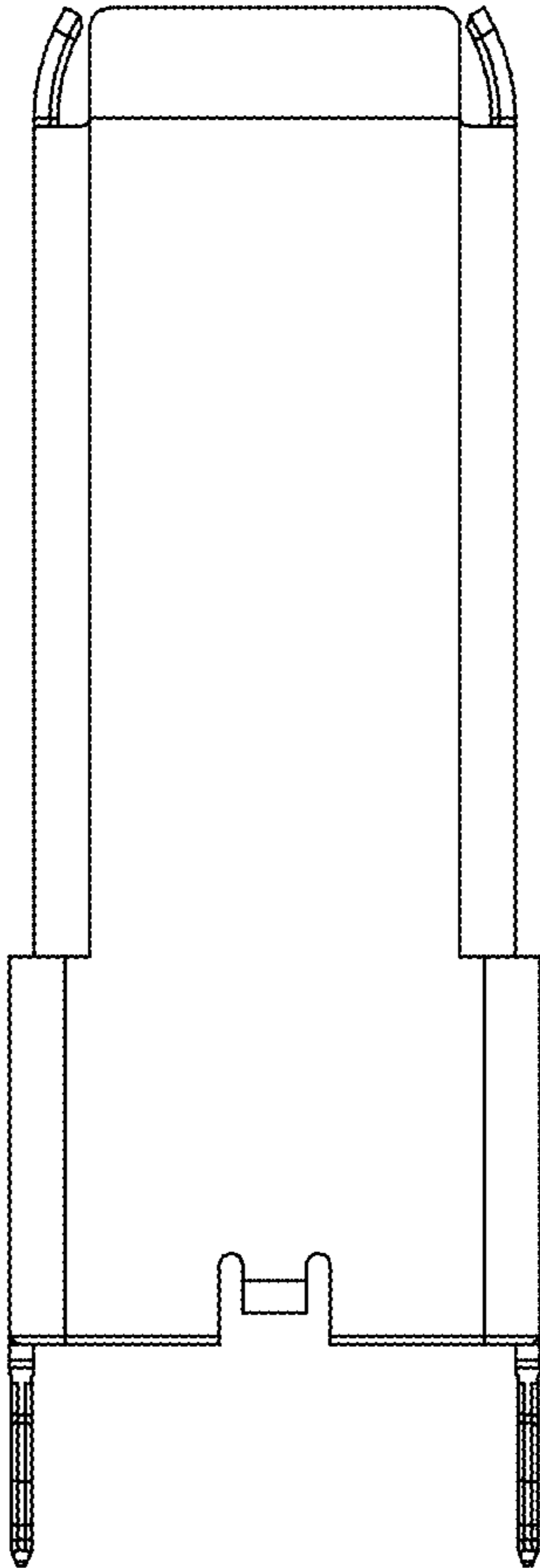


FIG. 3

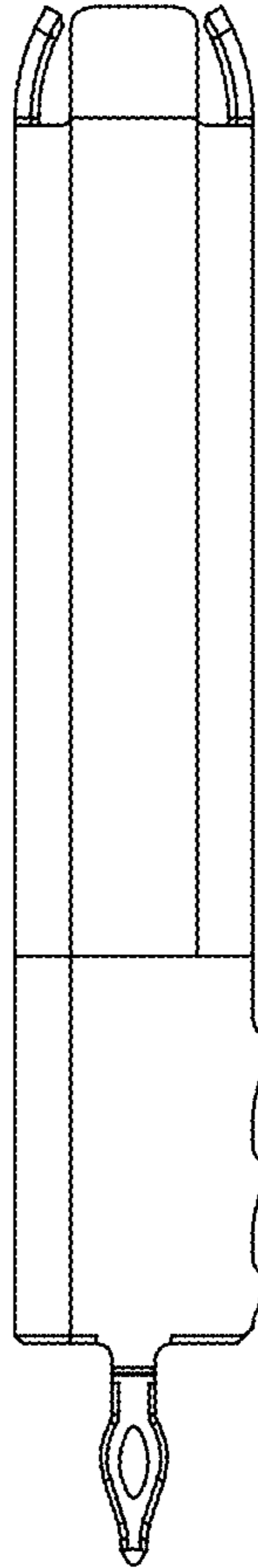


FIG. 4

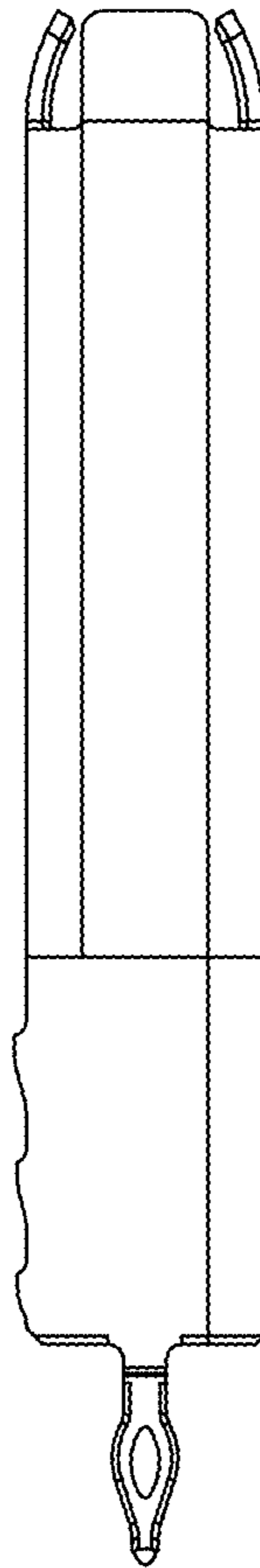


FIG. 5

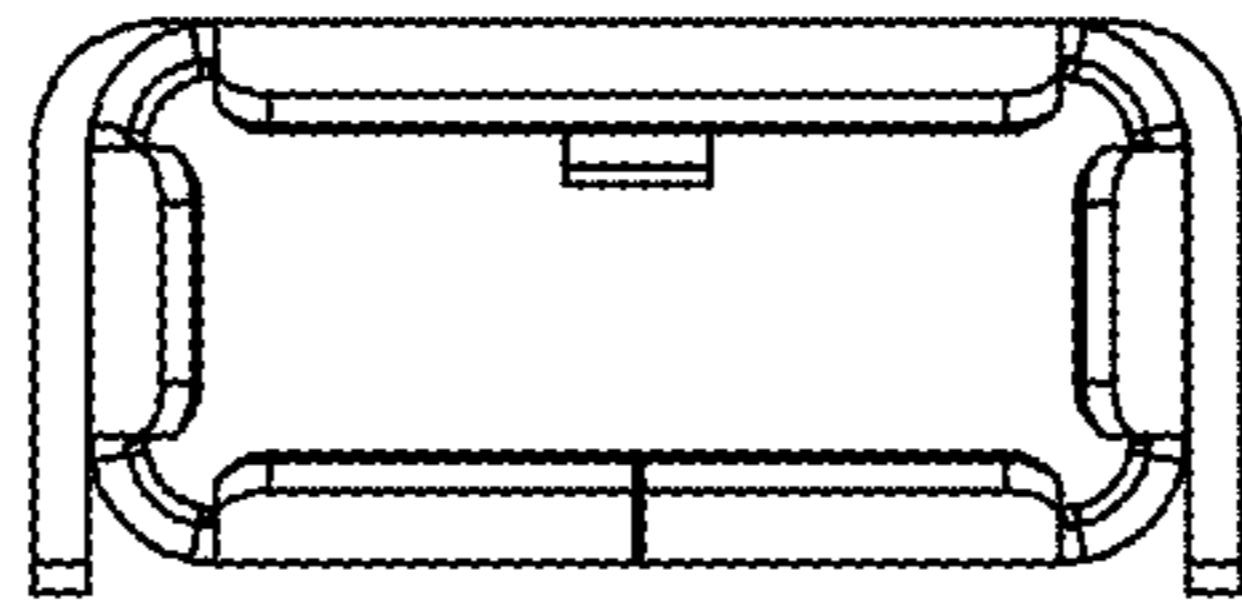


FIG. 6

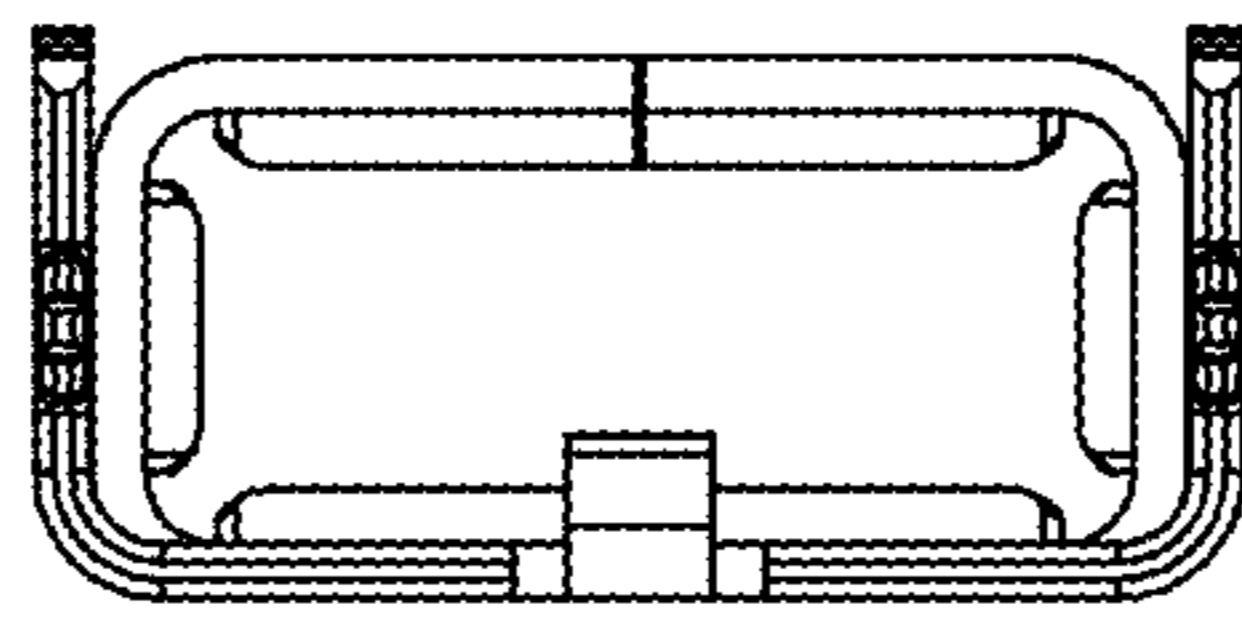


FIG. 7