



US00D941251S

(12) **United States Design Patent** (10) **Patent No.:** **US D941,251 S**
Wu (45) **Date of Patent:** **** Jan. 18, 2022**

(54) **TERMINAL SOCKET**

(56) **References Cited**

(71) Applicants: **DINKLE ENTERPRISE CO., LTD.**,
New Taipei (TW); **DINKLE**
ELECTRIC MACHINERY (CHINA)
CO., LTD., Jiangsu (CN); **LI YANG**
ELECTRIC MACHINERY
(DONGGUAN) CO., LTD., Dong
Guan (CN)

U.S. PATENT DOCUMENTS

8,579,661	B2 *	11/2013	Zhang	H01R 13/6658
				439/607.01
D756,301	S *	5/2016	Wu	D13/133
D756,304	S *	5/2016	Wu	D13/146
D825,480	S *	8/2018	Mastel	D13/147
D833,976	S *	11/2018	Wu	D13/147
D853,334	S *	7/2019	Mastel	D13/146
2016/0006176	A1 *	1/2016	Kollmann	H01R 13/6275
				439/346

(72) Inventor: **Shang-Tsai Wu**, New Taipei (TW)

* cited by examiner

(73) Assignees: **DINKLE ENTERPRISE CO., LTD.**,
New Taipei (TW); **DINKLE**
ELECTRIC MACHINERY (CHINA)
CO., LTD., Jiangsu (CN); **LI YANG**
ELECTRIC MACHINERY
(DONGGUAN) CO., LTD., Dong
Guan (CN)

Primary Examiner — Derrick E Holland

(74) *Attorney, Agent, or Firm* — Chun-Ming Shih; HDLS
IPR Services

(**) Term: **15 Years**

(57) **CLAIM**

The ornamental design for a terminal socket, as shown and described.

(21) Appl. No.: **29/764,360**

DESCRIPTION

(22) Filed: **Dec. 29, 2020**

(51) **LOC (13) Cl.** **13-03**

(52) **U.S. Cl.**
USPC **D13/147**

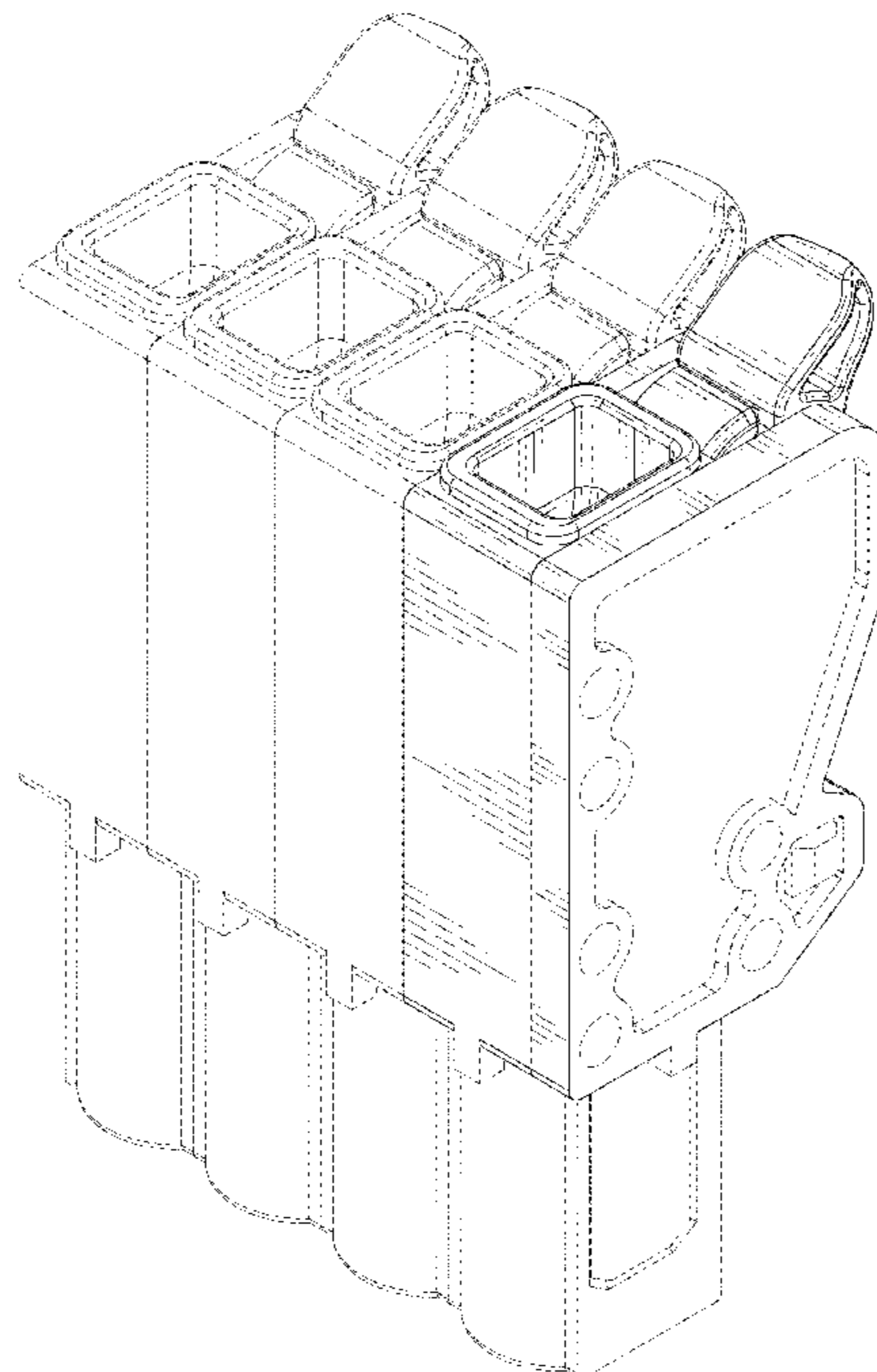
(58) **Field of Classification Search**
USPC D13/133, 146, 147, 153, 154, 155, 156,
D13/158, 182, 184, 199
CPC H01R 13/02; H01R 13/62; H01R 13/64;
H01R 13/436; H01R 13/502; H01R
13/504; H01R 13/506; H01R 13/639;
H01R 13/641; H01R 13/648; H01R 4/24;
H01R 4/48; H01R 4/50; H01R 12/79

FIG. 1 is a perspective view of a terminal socket showing my new design;
FIG. 2 is a front view thereof;
FIG. 3 is a rear view thereof;
FIG. 4 is a left side view thereof;
FIG. 5 is a right side view thereof;
FIG. 6 is a top view thereof;
FIG. 7 is a bottom view thereof; and,
FIG. 8 is second perspective view showing the terminal socket.

The broken lines in the drawings illustrate portions of the terminal socket that form no part of the claimed design.

See application file for complete search history.

1 Claim, 8 Drawing Sheets



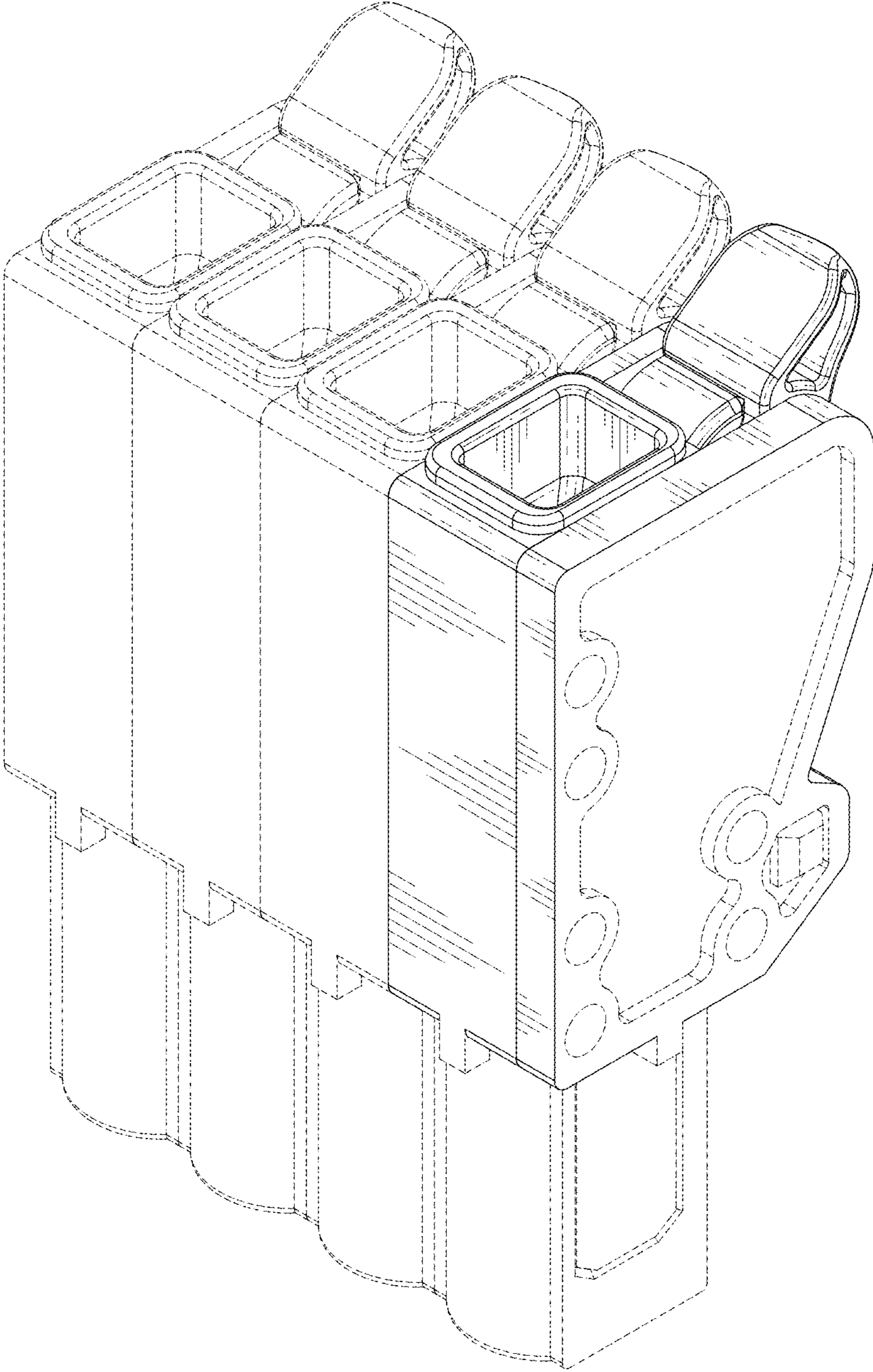


FIG.1

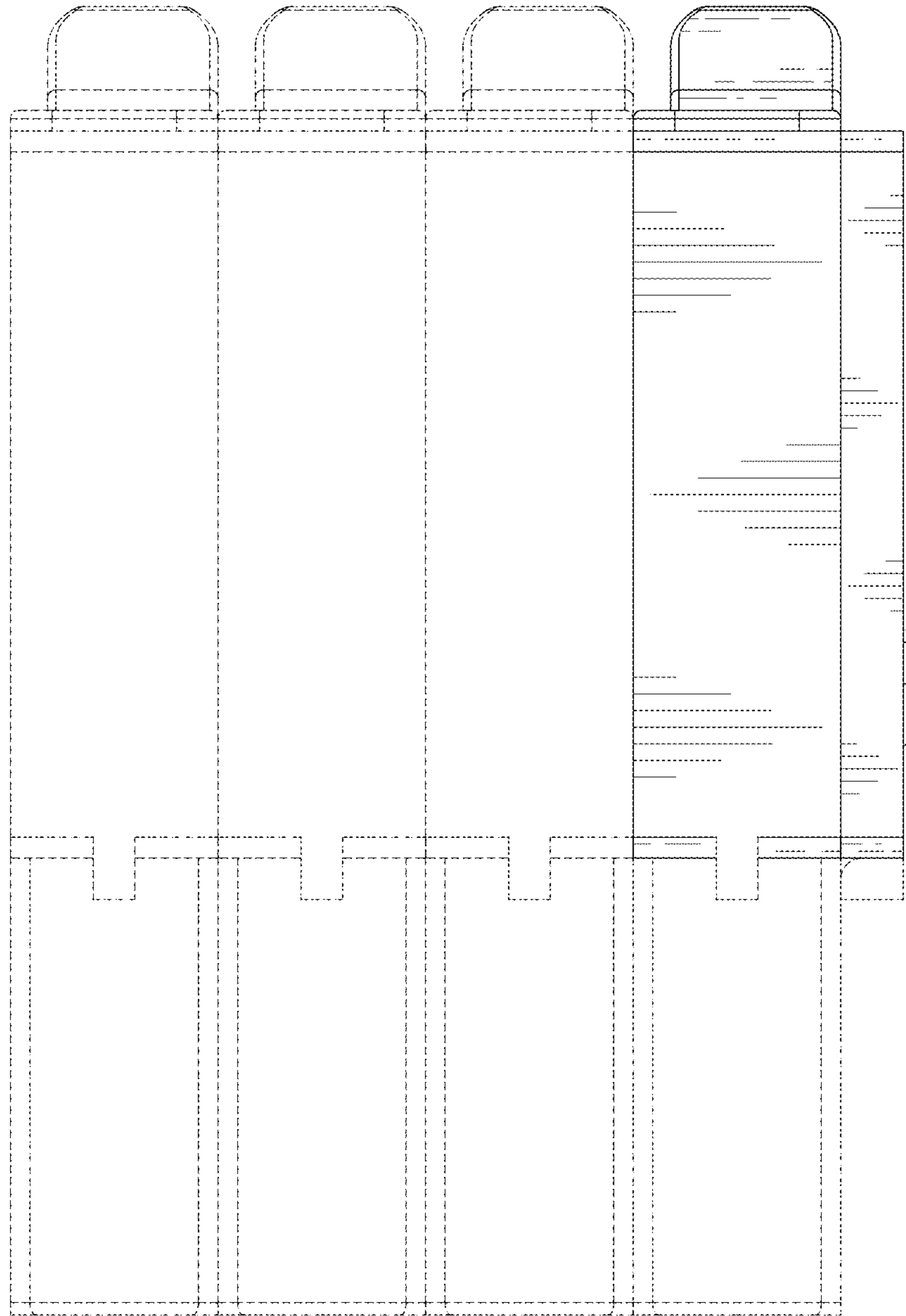


FIG.2

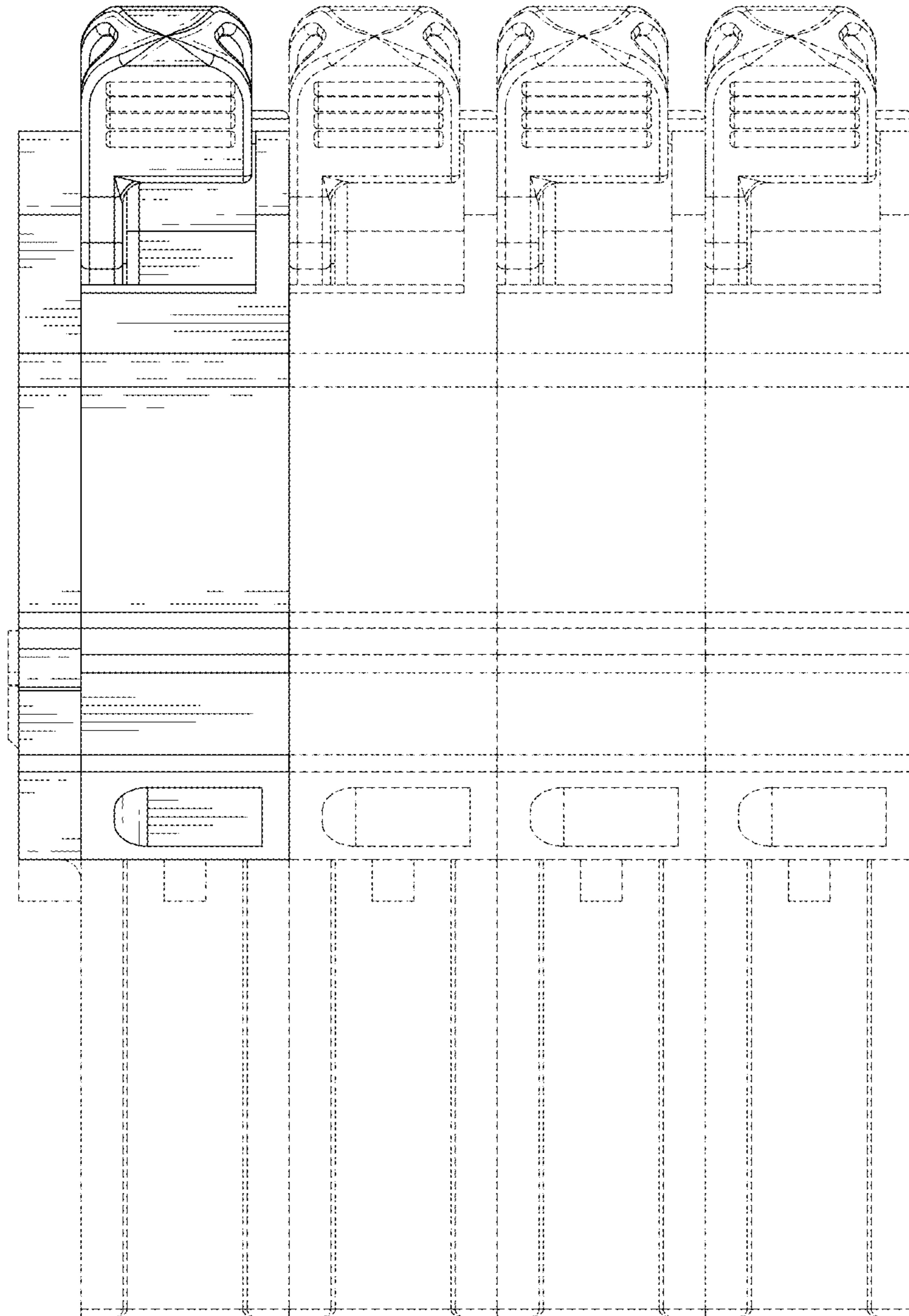


FIG.3

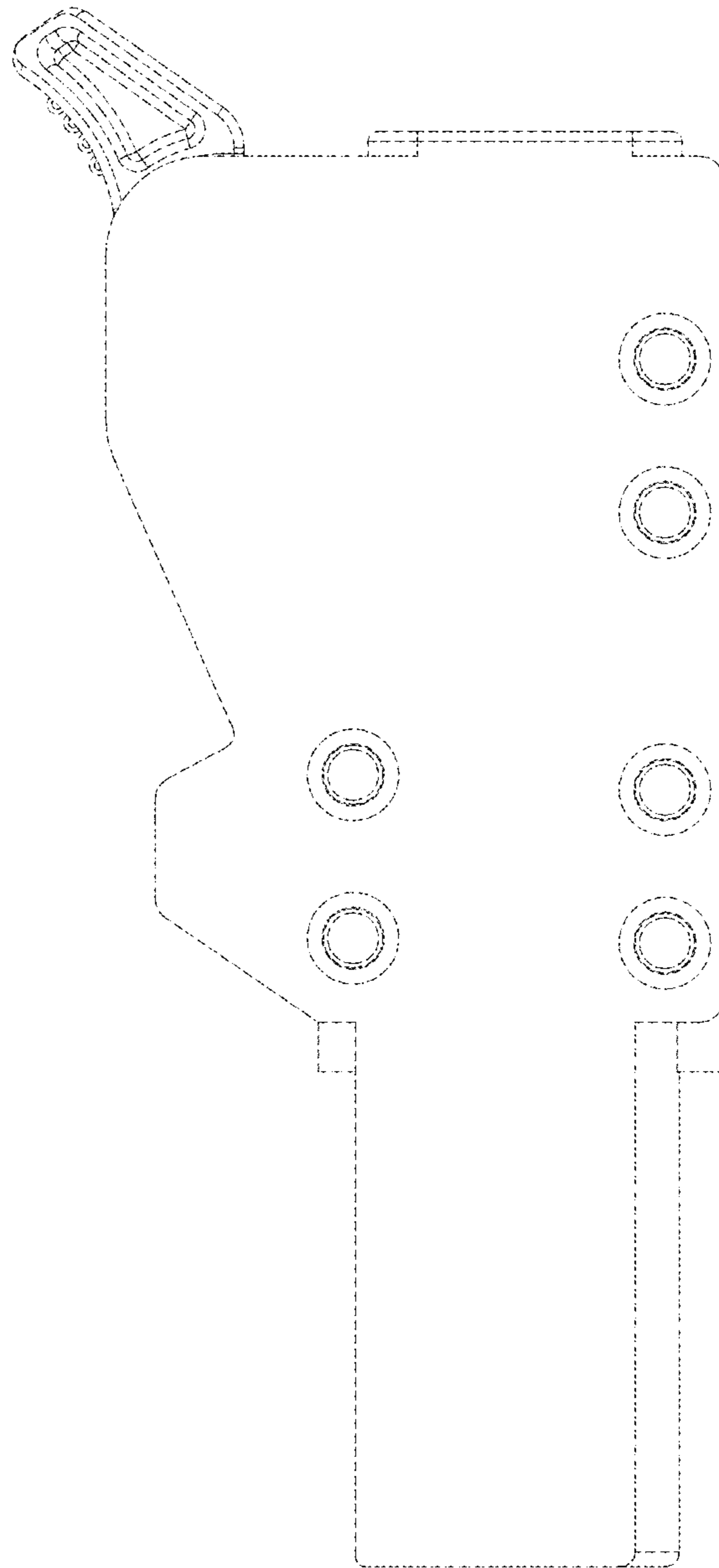


FIG.4

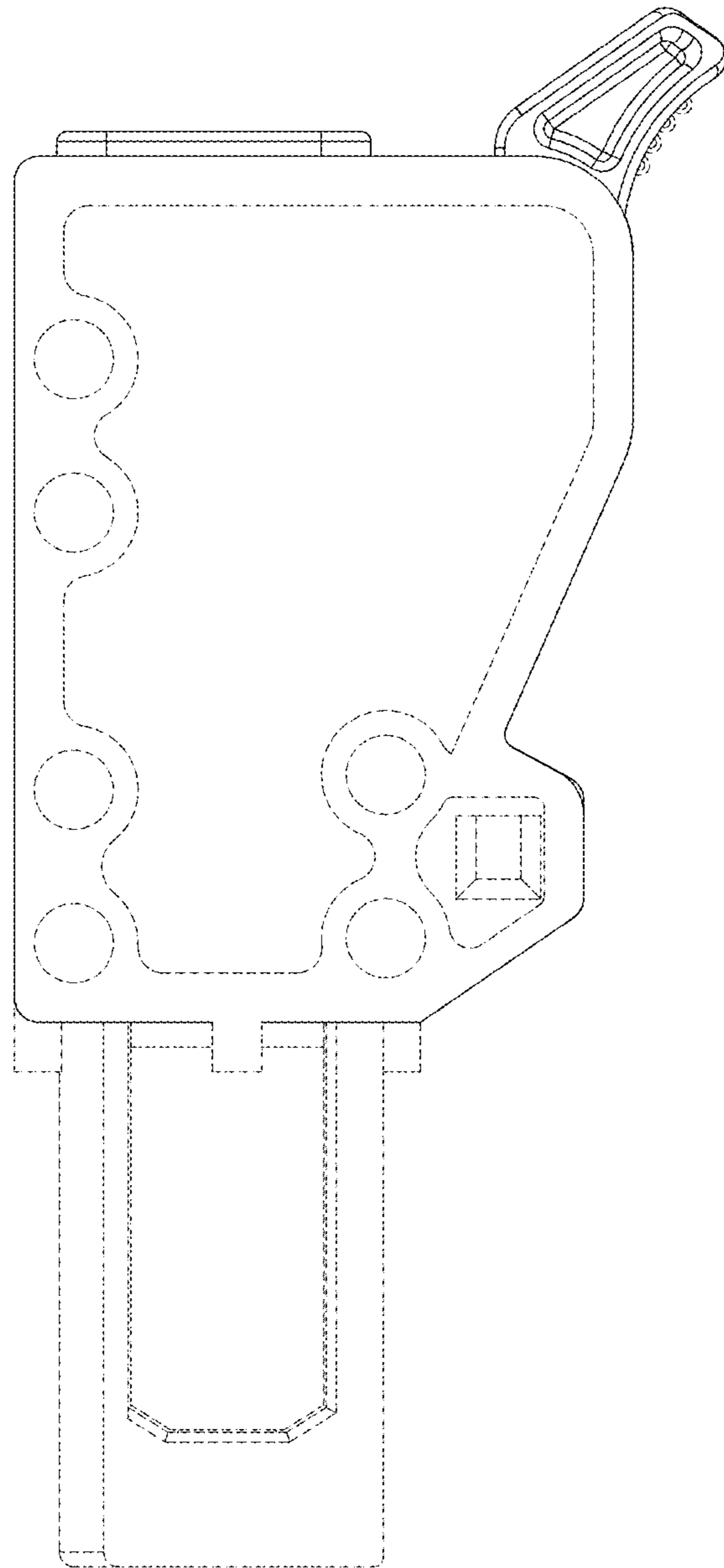


FIG.5

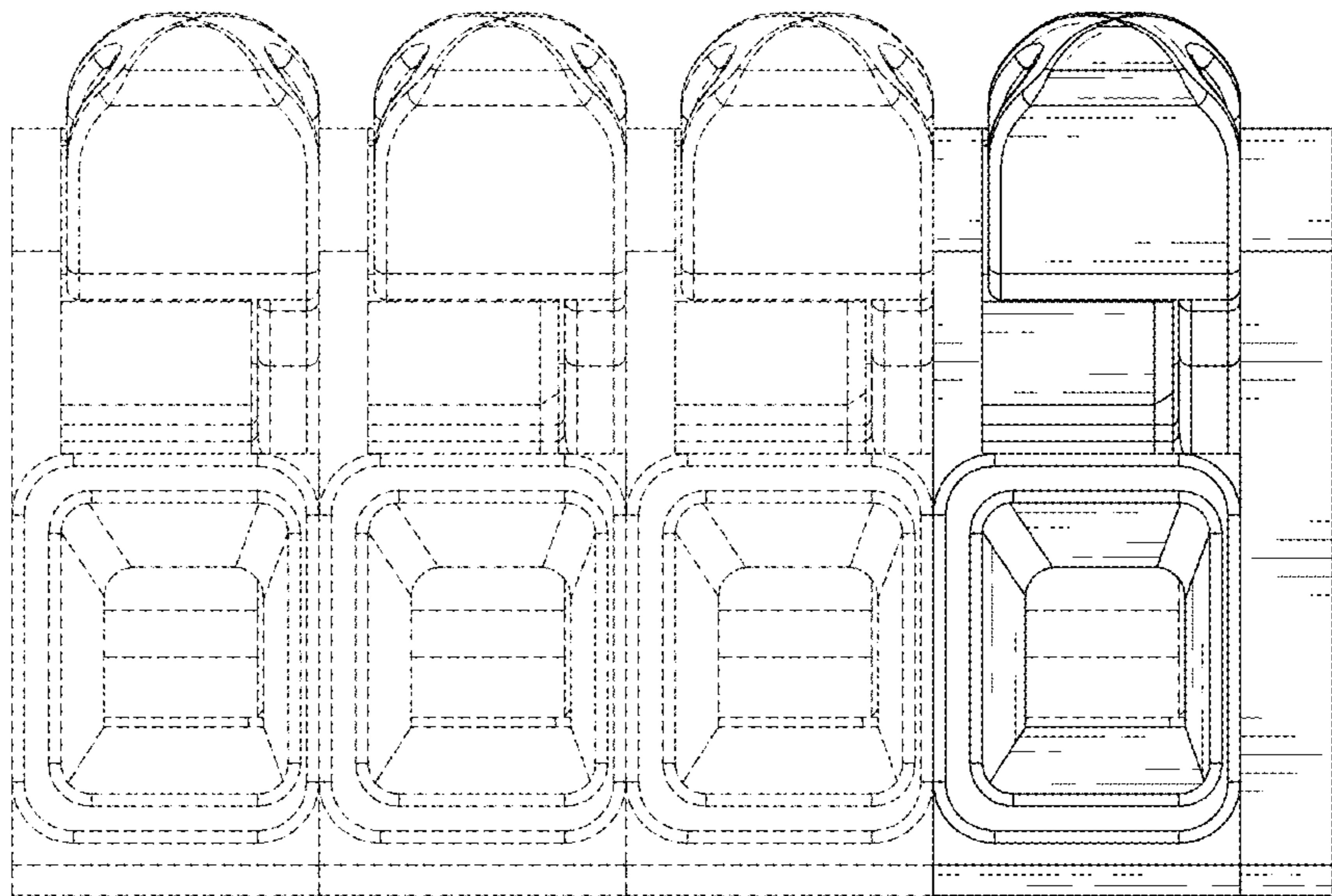


FIG.6

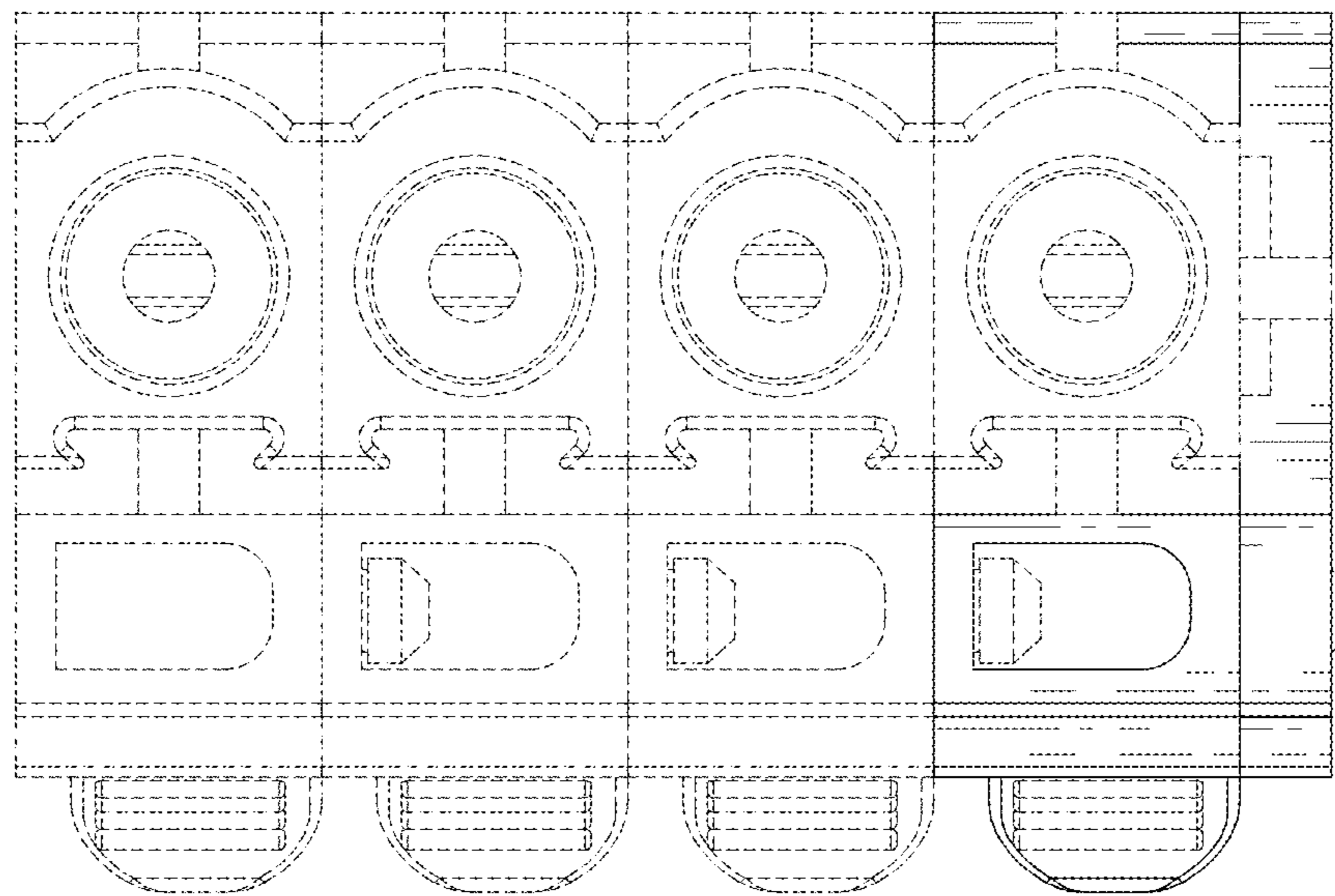


FIG.7

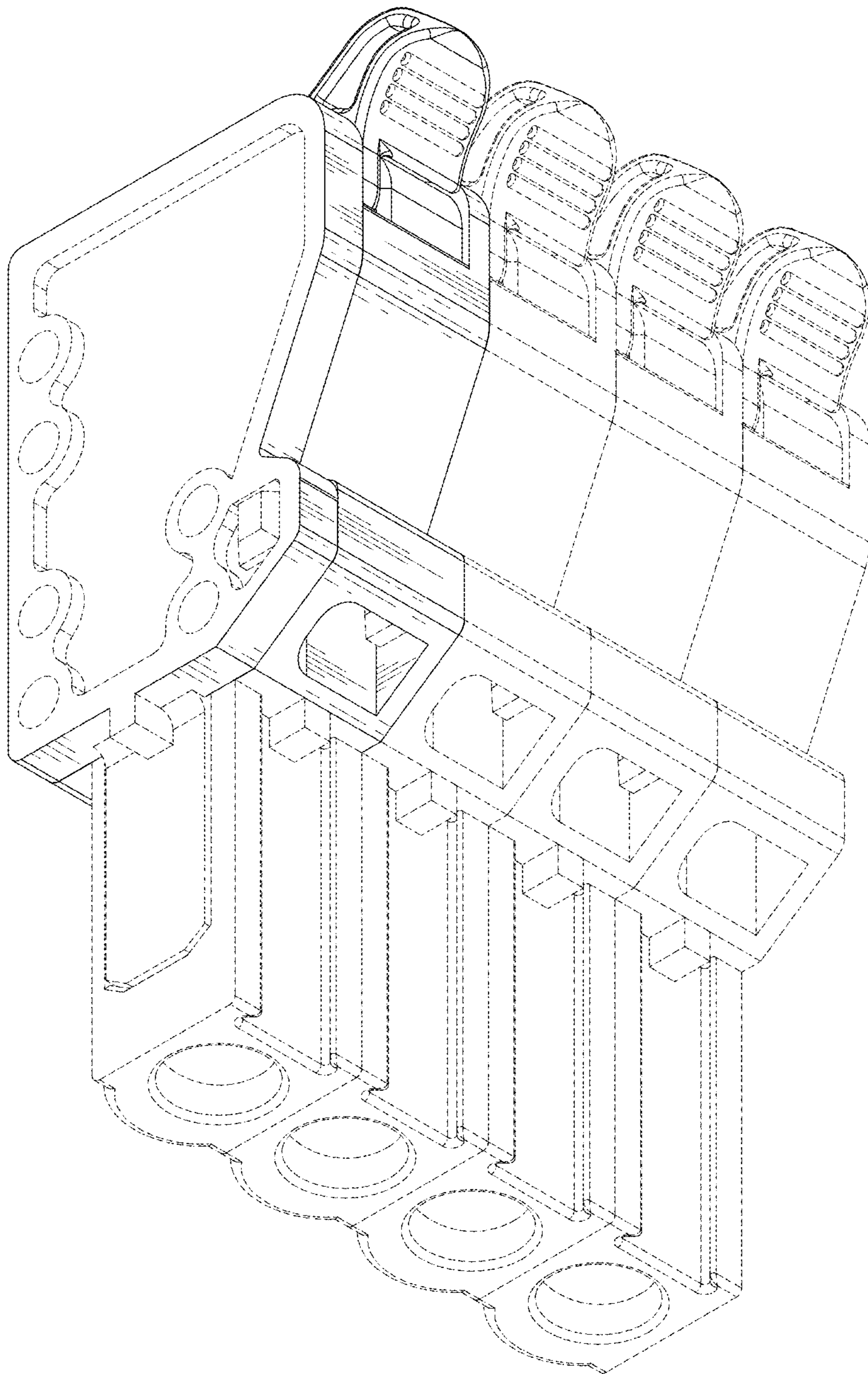


FIG.8