

US00D941250S

(12) **United States Design Patent**
Schichl

(10) **Patent No.:** **US D941,250 S**

(45) **Date of Patent:** **** Jan. 18, 2022**

(54) **CONNECTING PLUG FOR COAXIAL CABLES**

(71) Applicant: **Rosenberger Hochfrequenztechnik GmbH & Co. KG**, Fridolfing (DE)

(72) Inventor: **Markus Schichl**, Seekirchen (AT)

(73) Assignee: **Rosenberger Hochfrequenztechnik GmbH & Co. KG**, Fridolfing (DE)

(**) Term: **15 Years**

(21) Appl. No.: **29/762,178**

(22) Filed: **Dec. 15, 2020**

Related U.S. Application Data

(62) Division of application No. 35/506,118, filed on May 28, 2018 (U.S. filing date under 35 U.S.C. 384), and having an international filing date of May 28, 2018, now abandoned.

(51) **LOC (13) Cl.** **13-03**

(52) **U.S. Cl.**
USPC **D13/147**

(58) **Field of Classification Search**

USPC D13/147, 154, 120, 133, 108, 118, 146, D13/149, 174, 138.2; D14/433, 480.5, D14/357; D22/108; D24/129
CPC Y02E 60/10; Y02E 60/12; Y02E 60/122; Y02E 60/124; Y02E 60/50; Y02T 90/14; Y02T 90/122; Y02T 90/128; Y02T 90/163; Y10S 439/941; H01M 2/02; H01M 2/022; H01M 2/0202; H01M 2/0207; H01M 2/0212; H01M 2/1061; H01M 2/1022; H01M 2/1055; H01M 2/1066; H01M 2/105; H01M 2/20; H01M 2/202; H01M 2/204; H01M 2/206; H01M 10/44; H01M 10/46; H01M 10/465; H01M 10/482; H01M 10/425; H01M 2200/30; H01M 2250/30; H01M 2250/40; H02J 7/00; H02J 7/0003; H02J 7/0011;

H02J 7/0013; H02J 7/0054; H02J 7/0055; H02J 7/0057; H02J 7/025; H02J 7/0042; H02J 7/0044; H02J 7/0045; H02J 2007/0062; H01F 38/14; H01R 12/75; H01R 13/6675; H01R 13/426; H01R 13/436; H01R 13/6592; H01R 13/504; H01R 13/516; H01R 24/84; H01R 24/38; H01R 24/52; H01R 11/30; H01R 12/716; H01R 13/04; H01R 13/2421; H01R 13/2457; H01R 13/26; H01R 13/41; H01R 13/6205; B60L 11/182

See application file for complete search history.

(56) **References Cited**

U.S. PATENT DOCUMENTS

D349,099	S *	7/1994	Robertson, Jr.	D13/147
D413,104	S *	8/1999	Curtis	D13/147
D691,563	S *	10/2013	Yong	D13/147
8,696,366	B2 *	4/2014	Chen	H01R 11/30 439/39
D712,836	S *	9/2014	Lee	D13/133
D734,264	S *	7/2015	Jordan	D13/133
D743,340	S *	11/2015	Marshall	D13/147
9,343,835	B2 *	5/2016	Sasaki	H01R 13/2457
D769,194	S *	10/2016	Greig	D13/147

(Continued)

Primary Examiner — Nathaniel D. Buckner

(74) *Attorney, Agent, or Firm* — Fay Sharpe LLP

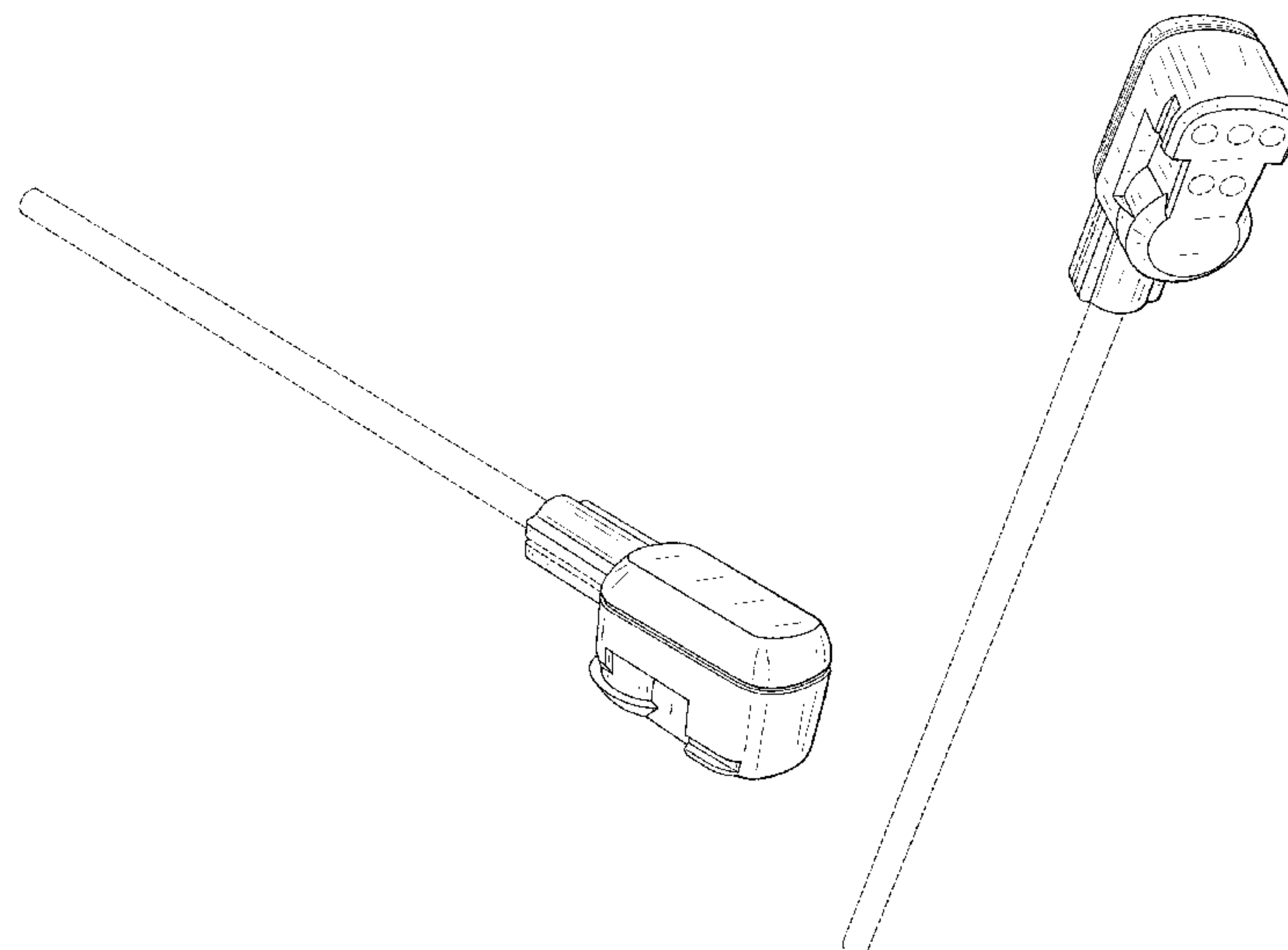
(57) **CLAIM**

The ornamental design for a connecting plug for coaxial cables, as shown and described.

DESCRIPTION

FIG. 1 is a top right side perspective view of a connecting plug for coaxial cables showing my new design; and, FIG. 2 is a bottom right side perspective view thereof. The broken lines depict portions of the connecting plug that form no part of the claimed design.

1 Claim, 2 Drawing Sheets



(56)

References Cited

U.S. PATENT DOCUMENTS

D769,823 S * 10/2016 Qu D13/147
D772,231 S * 11/2016 Lee D13/133
D837,158 S * 1/2019 Thoni D13/133
D852,748 S * 7/2019 Liu D13/138.2

* cited by examiner

Figure 1

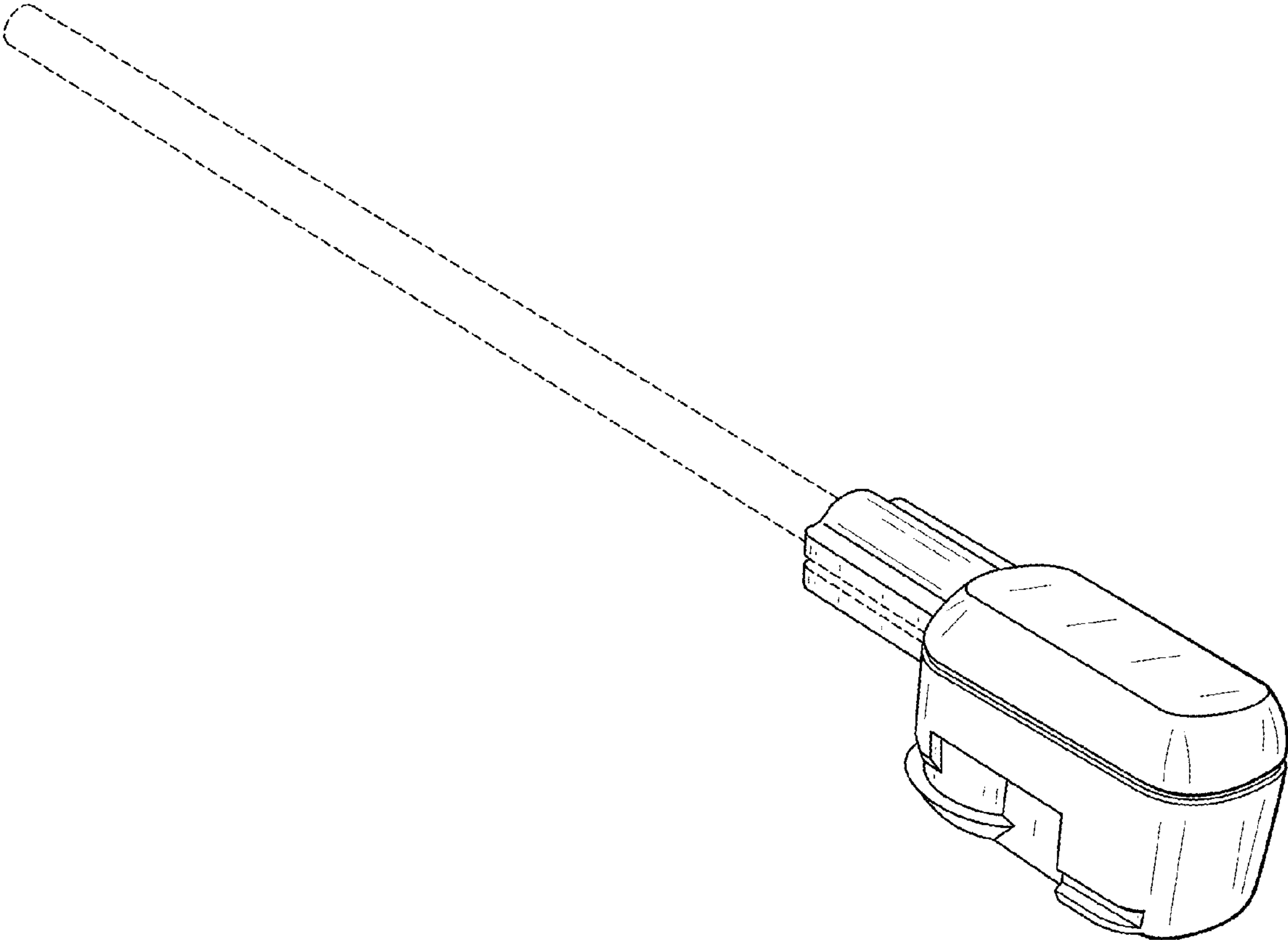


Figure 2

