



US00D941248S

(12) **United States Design Patent**
Obata

(10) **Patent No.:** **US D941,248 S**
(45) **Date of Patent:** **** Jan. 18, 2022**

(54) **CONNECTOR**

FOREIGN PATENT DOCUMENTS

(71) Applicant: **Japan Aviation Electronics Industry, Limited**, Tokyo (JP)

JP D1682868 * 4/2021
JP D1689771 * 7/2021
JP D1689797 * 7/2021

(72) Inventor: **Yusuke Obata**, Tokyo (JP)

OTHER PUBLICATIONS

(73) Assignee: **JAPAN AVIATION ELECTRONICS INDUSTRY, LIMITED**, Tokyo (JP)

Molex Connectors, dated Jul. 2012, [online], [site visited Aug. 31, 2021]. Available from internet, URL: https://www.molex.com/molex/products/family/math2o_sealed_connectors?parentKey=wire_to_board_connectors (Year: 2012).*

(**) Term: **15 Years**

(Continued)

(21) Appl. No.: **29/732,306**

Primary Examiner — Shawn T Gingrich

(22) Filed: **Apr. 23, 2020**

Assistant Examiner — Bryan Nolan Melvin

(51) **LOC (13) Cl.** **13-03**

(74) *Attorney, Agent, or Firm* — Manabu Kanesaka

(52) **U.S. Cl.**

(57) **CLAIM**

USPC **D13/147**

The ornamental design for a connector, as shown and described.

(58) **Field of Classification Search**

DESCRIPTION

USPC D13/120, 123, 133, 146–147, 154, 184, D13/199

FIG. 1 is a front elevational view of a connector showing my new design;

CPC H01R 4/028; H01R 12/716; H01R 12/707; H01R 12/57; H01R 13/04; H01R 13/502;

H01R 13/629; H01R 12/7005; H01R 13/64; H01R 13/65; H01R 24/60

FIG. 2 is a rear elevational view thereof;

FIG. 3 is a right side elevational view thereof;

FIG. 4 is a left side elevational view thereof;

FIG. 5 is a top plan view thereof;

FIG. 6 is a bottom plan view thereof;

FIG. 7 is a perspective view showing a front, top and right side thereof;

FIG. 8 is a perspective view showing a rear, bottom and left side thereof;

FIG. 9 is a perspective view showing a front, right and bottom side thereof; and,

FIG. 10 is a perspective view showing a rear, left and top side thereof.

See application file for complete search history.

The broken line showing of the connector is for the purpose of illustrating portions of the article and forms no part of the claimed design.

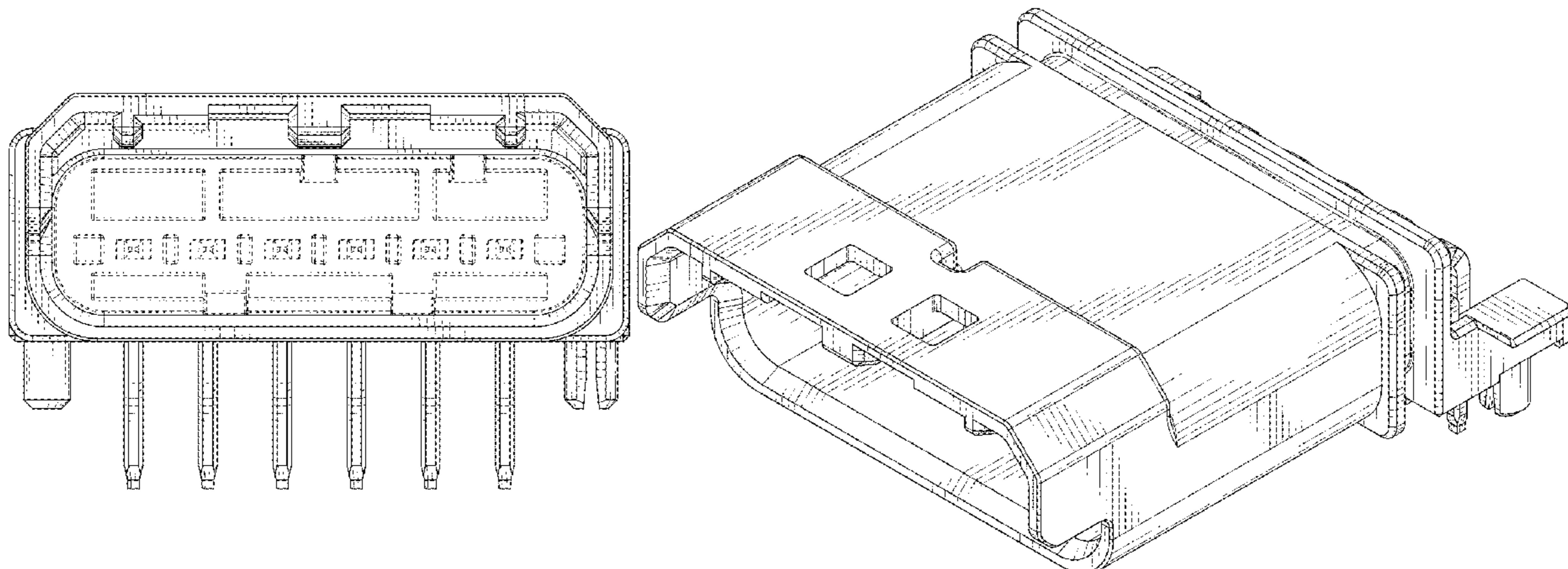
(56) **References Cited**

U.S. PATENT DOCUMENTS

9,209,573	B1 *	12/2015	Chen	H01R 24/60
9,306,336	B2 *	4/2016	Chang	H01R 13/6471
D767,494	S *	9/2016	Tada	D13/147
D783,539	S *	4/2017	Yokoyama	D13/147
9,843,142	B2 *	12/2017	Hack	H01R 24/60
D823,257	S *	7/2018	Sato	D13/147
D825,473	S *	8/2018	Kurosawa	D13/147
10,148,040	B2 *	12/2018	Chien	H01R 13/6586
D867,301	S *	11/2019	Saitou	D13/147
D928,717	S *	8/2021	Tada	D13/147

(Continued)

1 Claim, 6 Drawing Sheets



(56)

References Cited

U.S. PATENT DOCUMENTS

2015/0244111 A1* 8/2015 Ju H01R 24/60
439/607.05
2016/0352050 A1* 12/2016 Hu H01R 13/648
2020/0313331 A1* 10/2020 Oosaka H01R 13/6583

OTHER PUBLICATIONS

Japan Aviation Electronics Industry, Ltd. , dated Aug. 2010, [online],
[site visited Aug. 31, 2021]. Available from internet, URL: https://www.jae.com/en/connectors/series/detail/id=64308&type_code=T1040 (Year: 2010).*

* cited by examiner

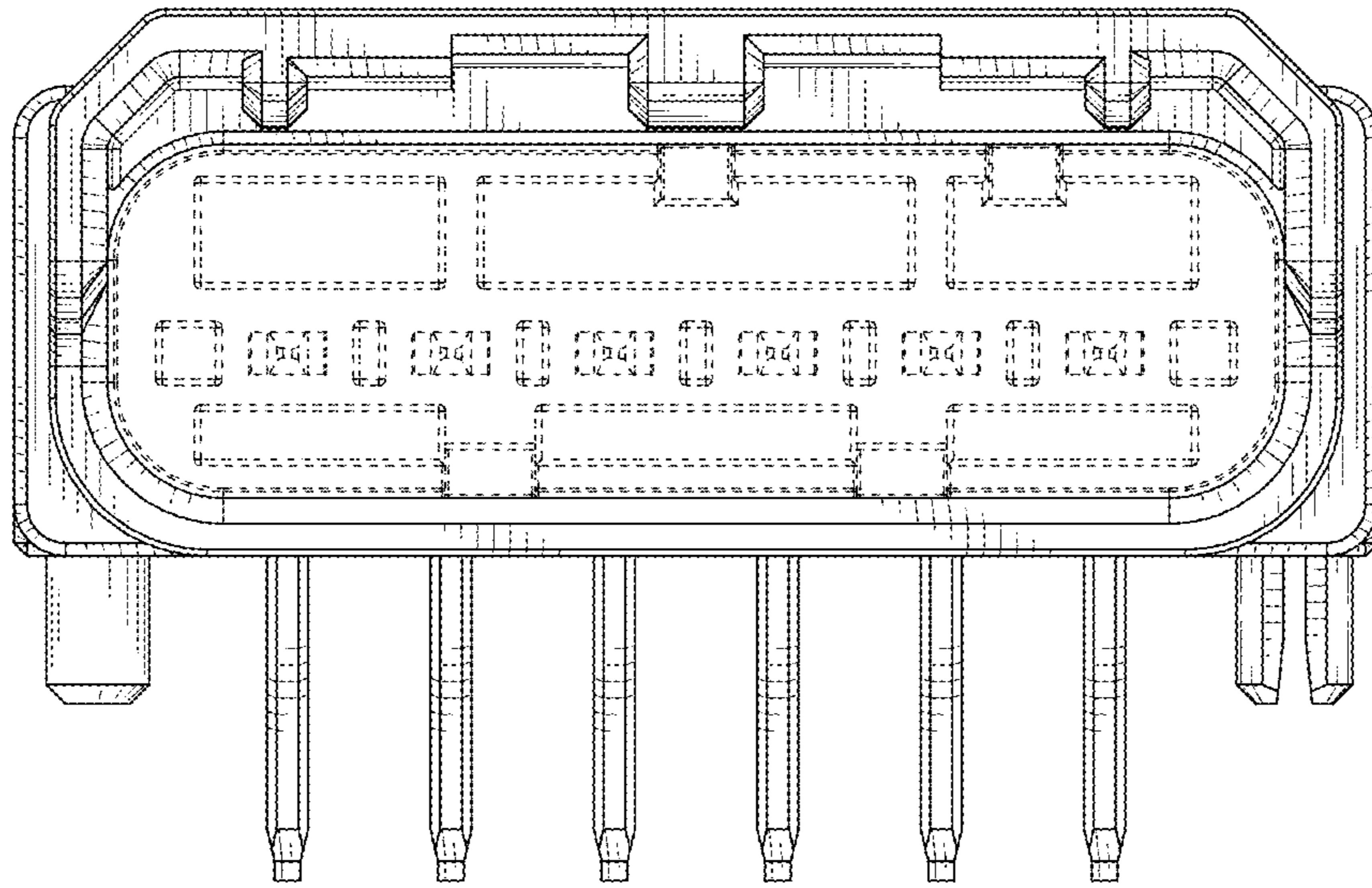


FIG. 1

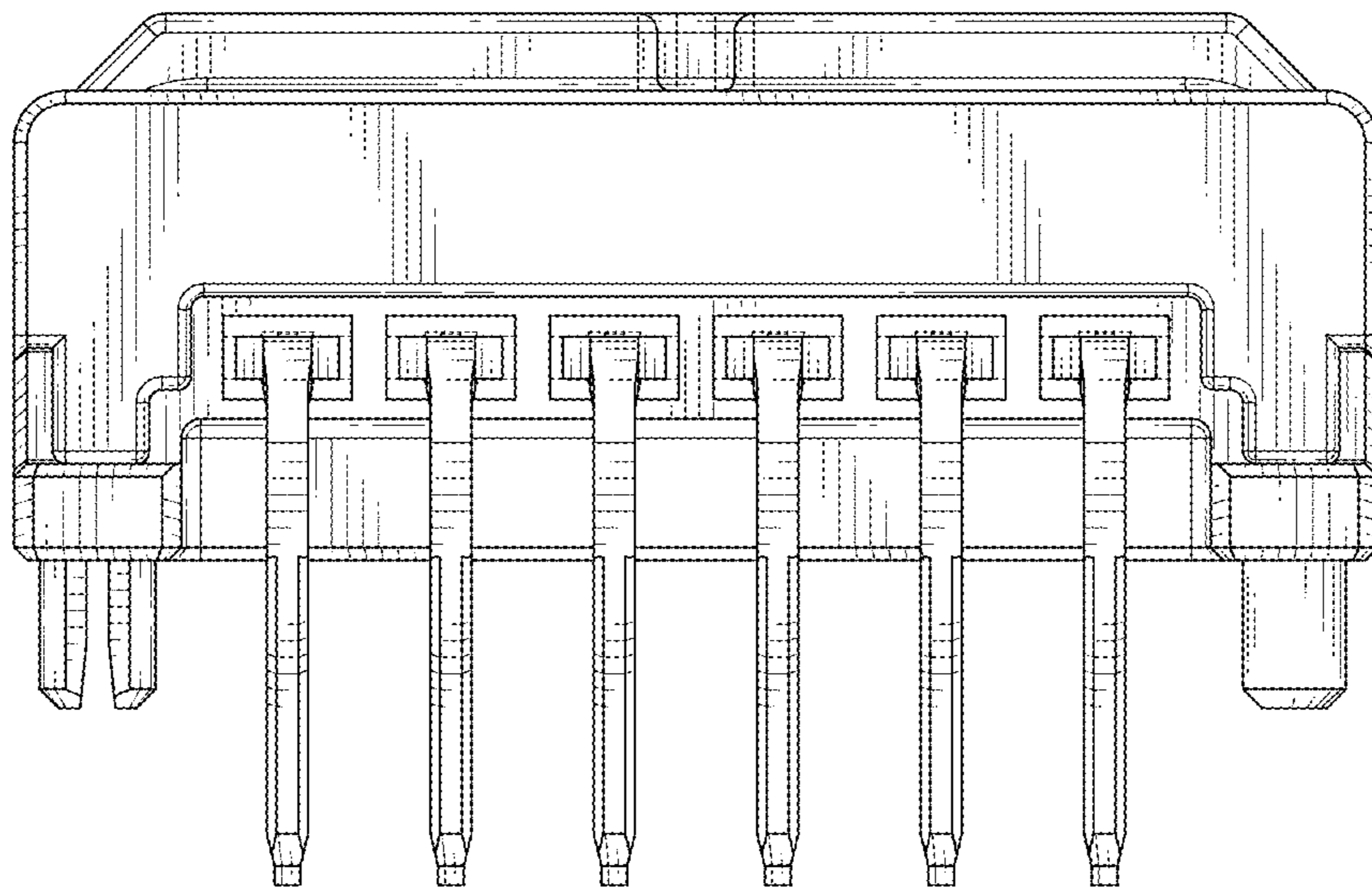


FIG. 2

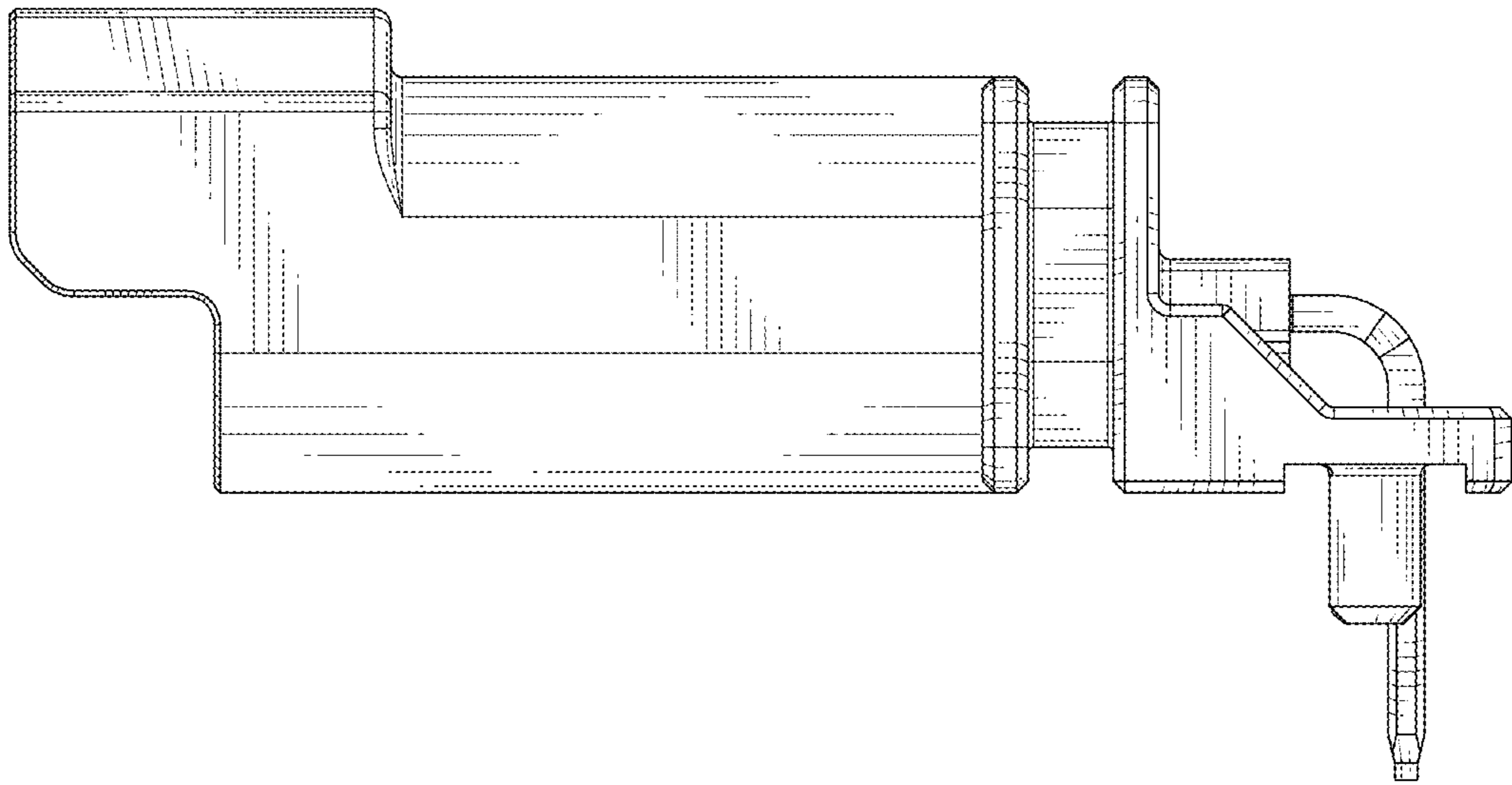


FIG. 3

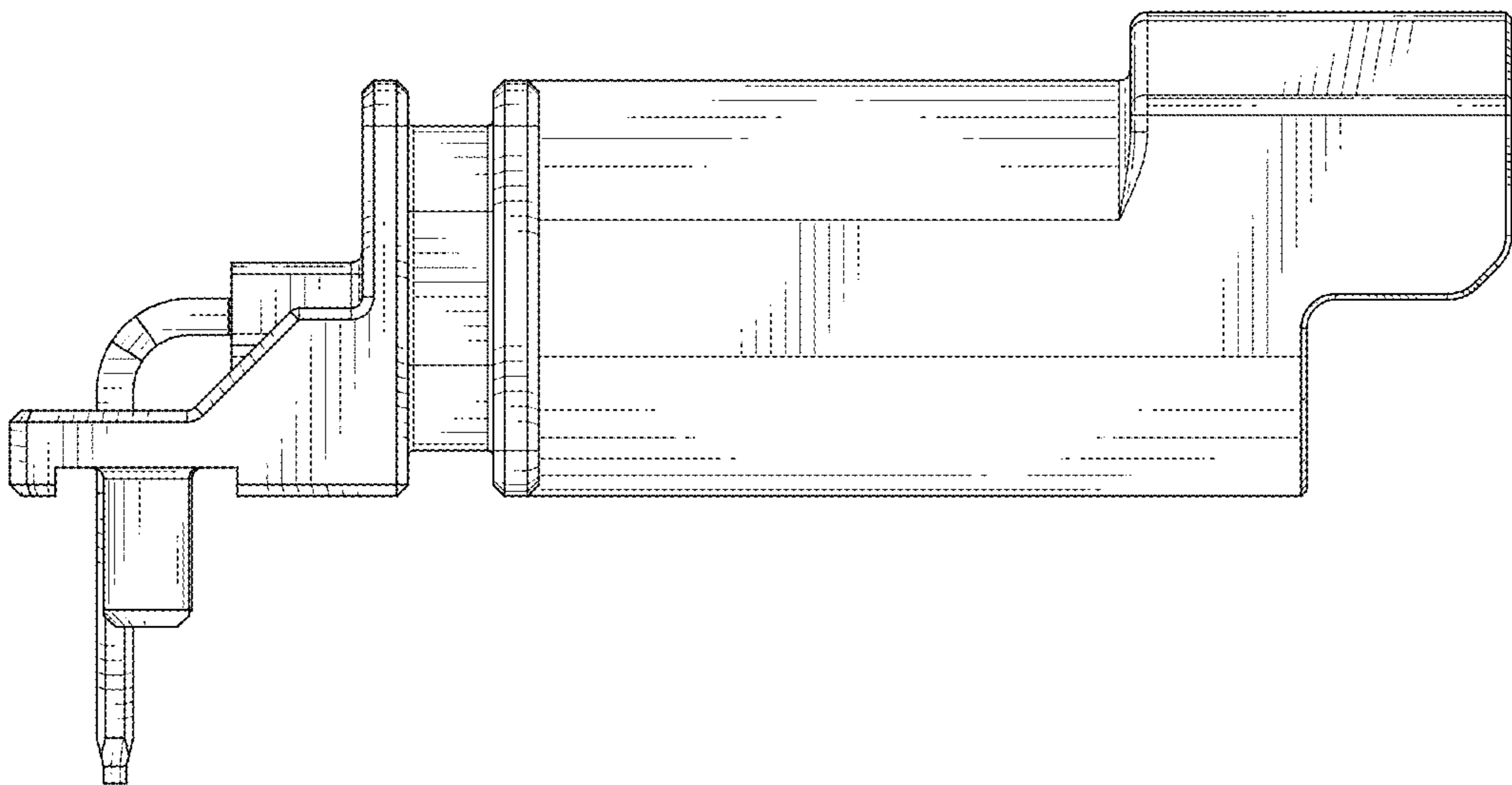


FIG. 4

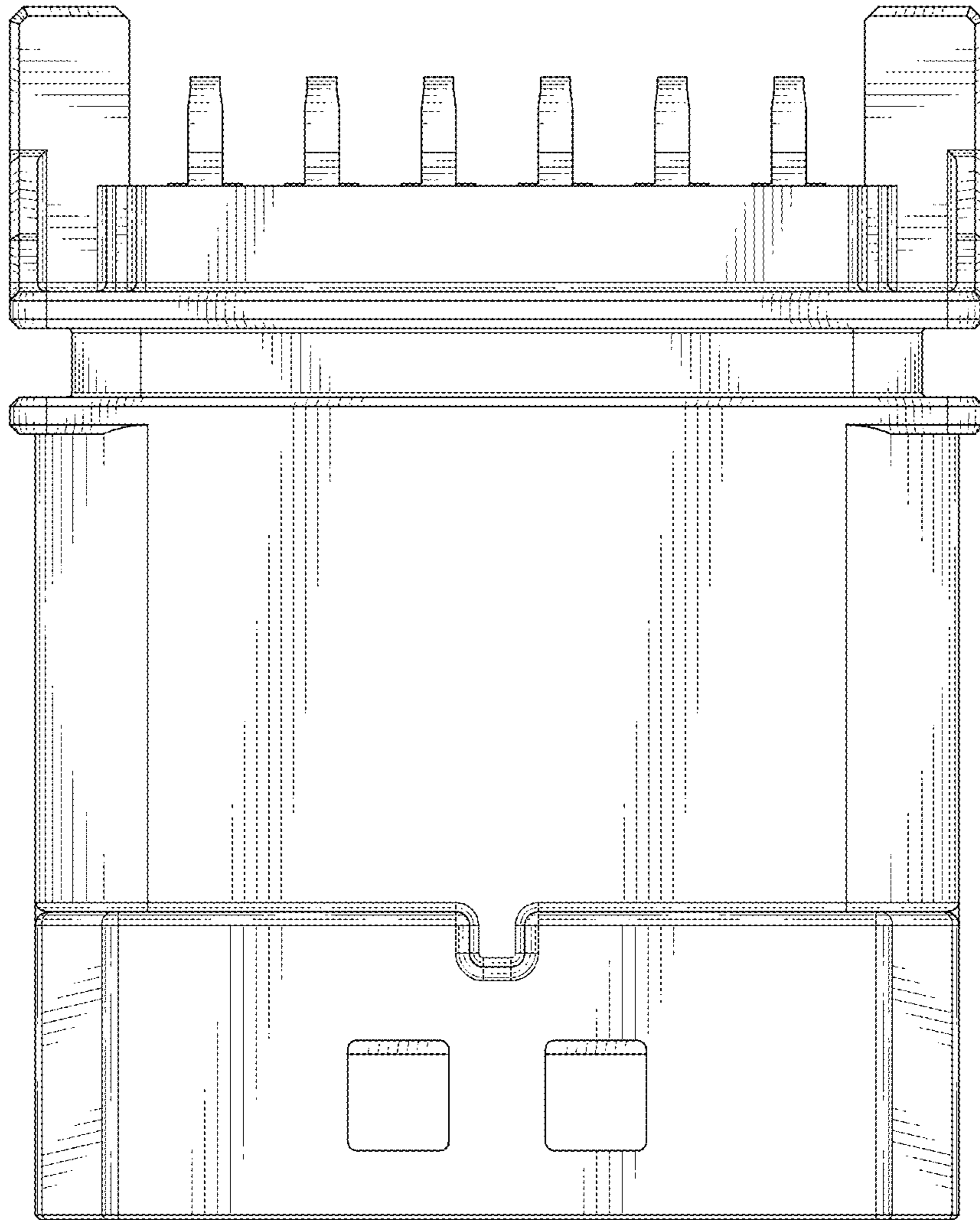


FIG. 5

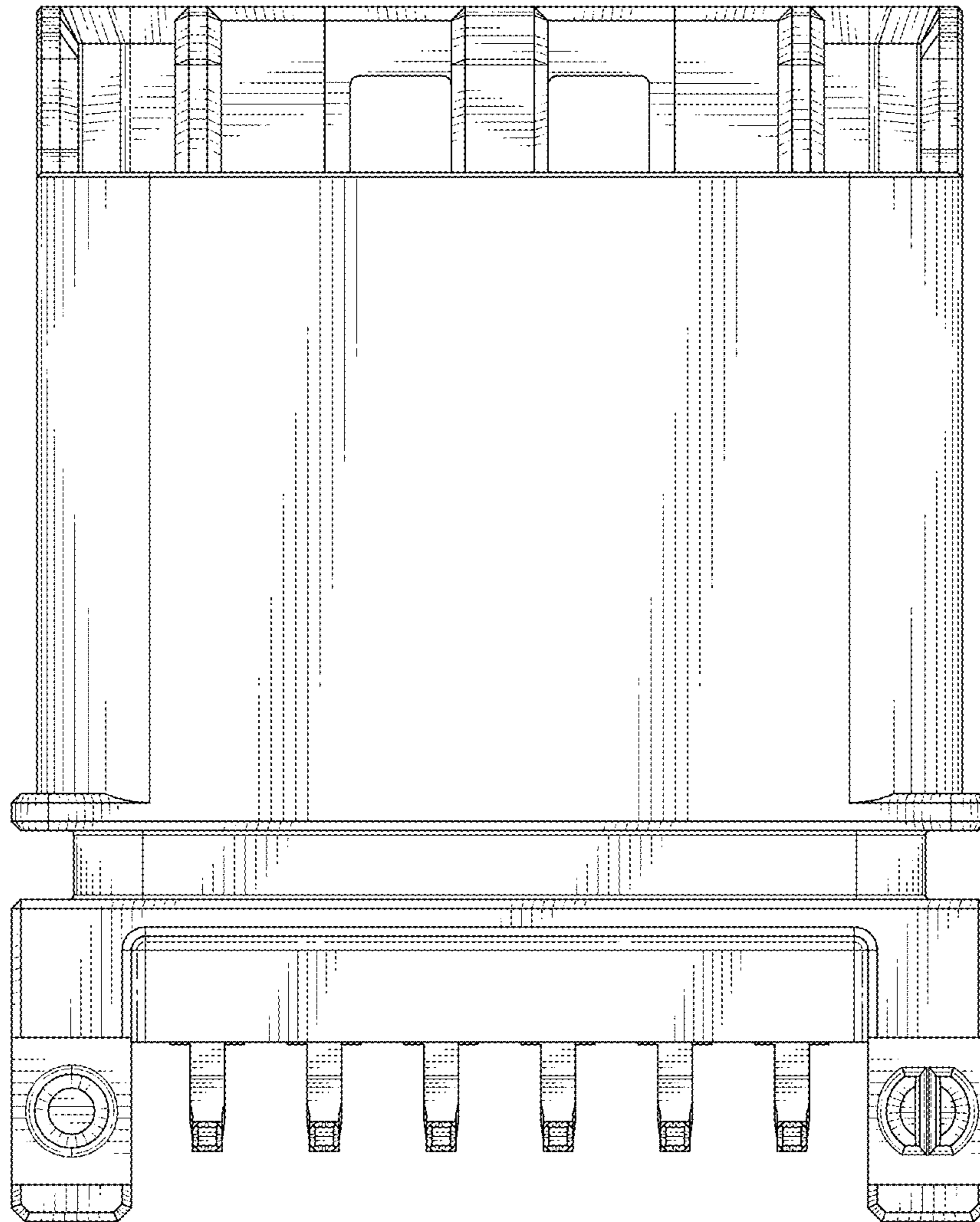


FIG. 6

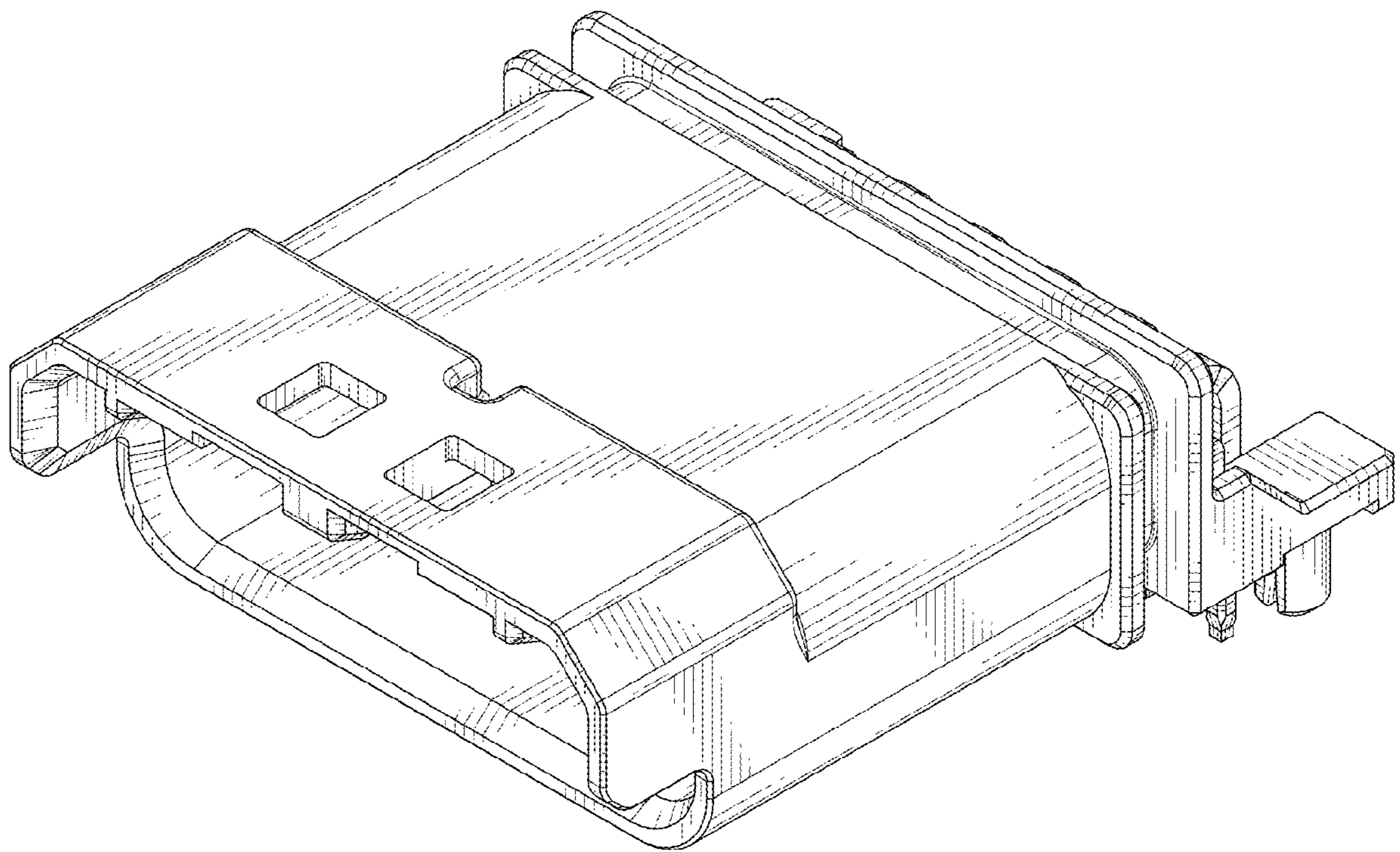


FIG. 7

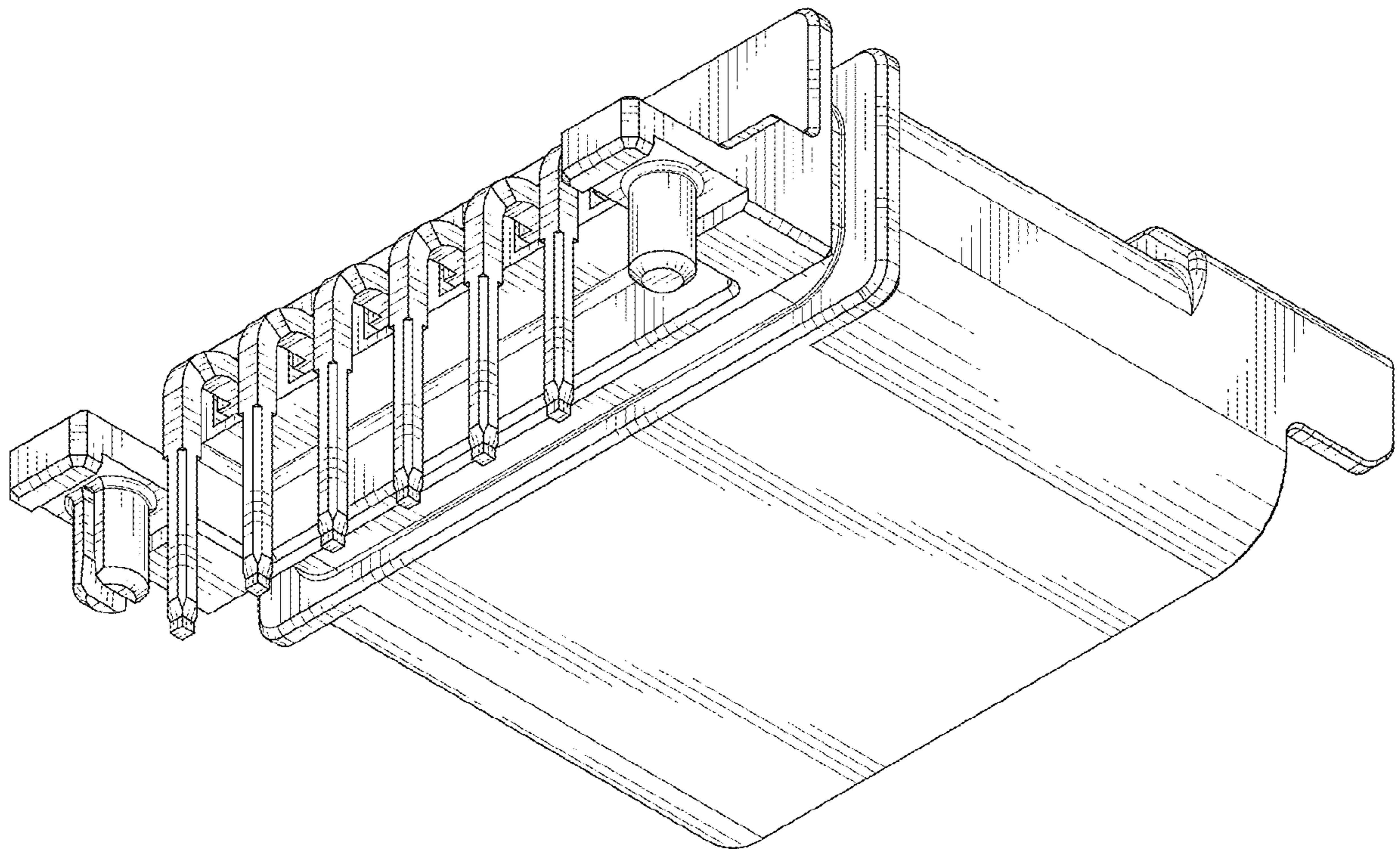


FIG. 8

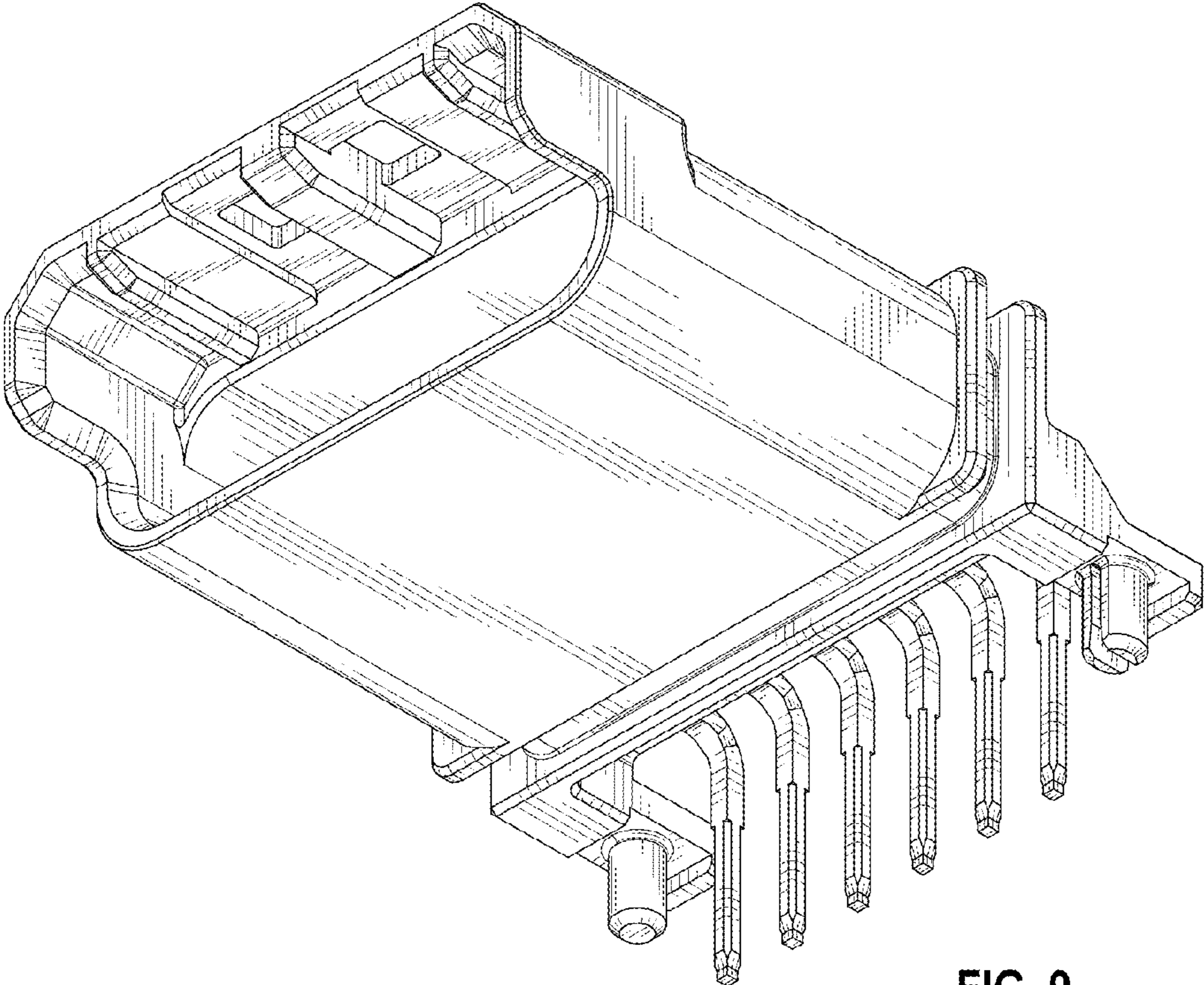


FIG. 9

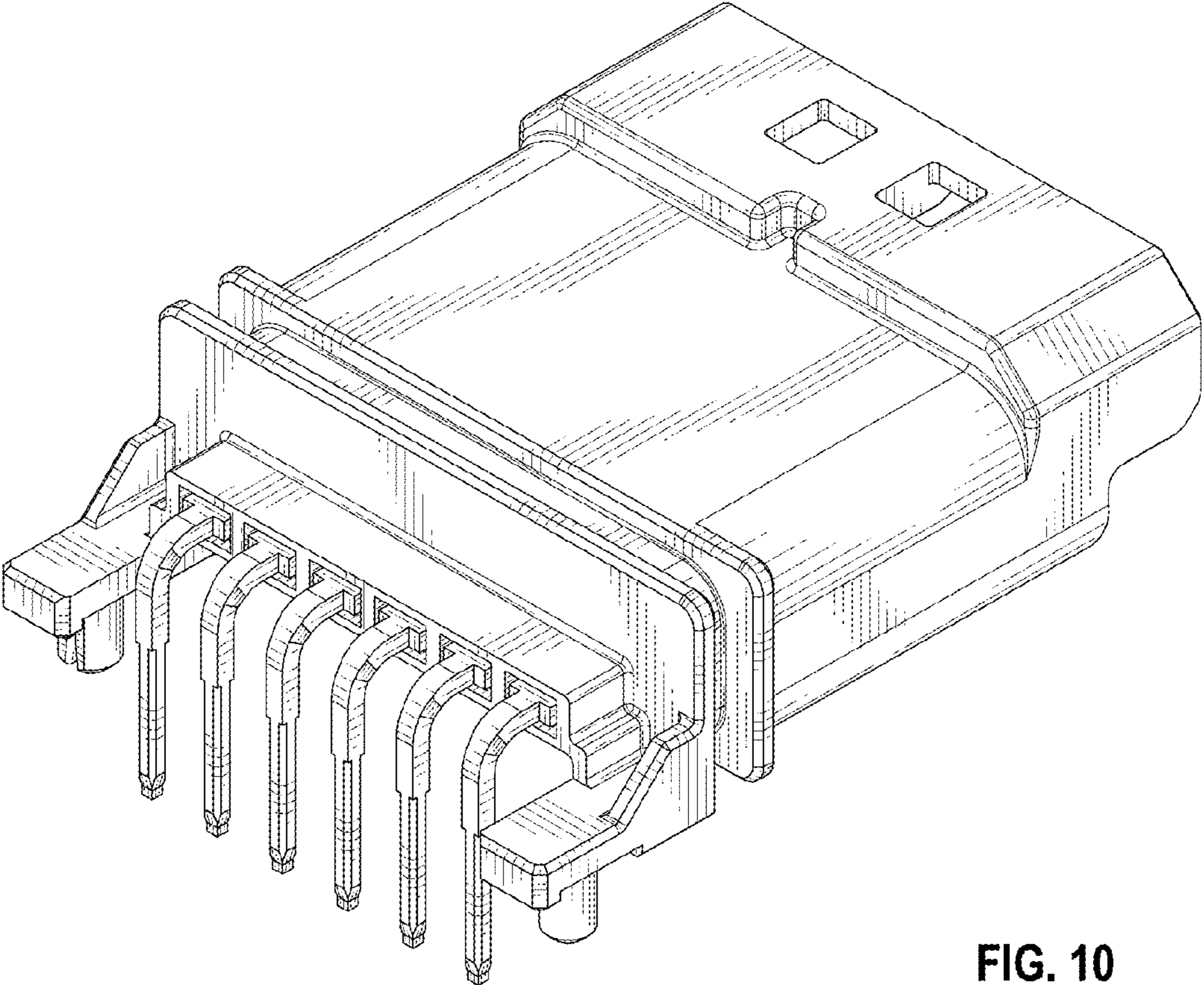


FIG. 10

UNITED STATES PATENT AND TRADEMARK OFFICE
CERTIFICATE OF CORRECTION

PATENT NO. : D941,248 S
APPLICATION NO. : 29/732306
DATED : January 18, 2022
INVENTOR(S) : Yusuke Obata

Page 1 of 1

It is certified that error appears in the above-identified patent and that said Letters Patent is hereby corrected as shown below:

On the Title Page

Please add the following after (22) Filed: Apr. 23, 2020: --(30) Foreign Application Priority Data,
Nov. 5, 2019, (JP) 2019-024562--

Signed and Sealed this
Thirtieth Day of August, 2022
Katherine Kelly Vidal

Katherine Kelly Vidal
Director of the United States Patent and Trademark Office