



US00D941247S

(12) **United States Design Patent**  
**Parfitt**

(10) **Patent No.:** **US D941,247 S**  
(45) **Date of Patent:** **\*\* Jan. 18, 2022**

- (54) **POWER ADAPTER**
- (71) Applicant: **Facebook Technologies, LLC**, Menlo Park, CA (US)
- (72) Inventor: **Benjamin John Parfitt**, Pacifica, CA (US)
- (73) Assignee: **Facebook Technologies, LLC**, Menlo Park, CA (US)
- (\*\*) Term: **15 Years**
- (21) Appl. No.: **29/703,820**
- (22) Filed: **Aug. 29, 2019**
- (51) **LOC (13) Cl.** ..... **13-03**
- (52) **U.S. Cl.**  
USPC ..... **D13/138.1; D13/110**
- (58) **Field of Classification Search**  
USPC ..... D13/103, 106, 107, 108, 109, 110, 112, D13/116, 118, 119, 123, 133, 137.1, D13/138.1, 146, 147, 184; D14/432, 433, D14/434, 435, 435.1, 438  
CPC ..... H01R 24/76; H01R 29/00; H01R 31/06  
See application file for complete search history.

(56) **References Cited**

**U.S. PATENT DOCUMENTS**

D486,125 S *	2/2004	Lim	.....	D13/108
D531,619 S *	11/2006	Chau	.....	D14/217
D573,946 S *	7/2008	Ledbetter	.....	D13/110
D592,133 S *	5/2009	Dong	.....	D13/108
D621,357 S *	8/2010	Dong	.....	D13/138.1
D660,795 S *	5/2012	Wen	.....	D13/110
D720,692 S *	1/2015	Matsuoka	.....	D13/110
D777,672 S *	1/2017	Park	.....	D13/138.1
D872,013 S *	1/2020	Lee	.....	D13/108
D884,626 S *	5/2020	Lyu	.....	D13/110

2010/0253283 A1*	10/2010	Francois	.....	H02J 7/0042 320/114
2014/0080337 A1*	3/2014	Lai	.....	H01R 13/447 439/172
2017/0170614 A1*	6/2017	You	.....	H01R 13/6276

**FOREIGN PATENT DOCUMENTS**

CN	201530355089	*	12/2015
CN	201530552798	*	6/2016

**OTHER PUBLICATIONS**

“Facebook Portal Plus”. Found online Oct. 14, 2020 at amazon.com. Reference dated Oct. 29, 2019. Retrieved from [https://www.amazon.com/Portal-Facebook-Hands-Free-Calling-Built/dp/B07XPS5W3L/ref=sr\\_1\\_1\\_sspa?th=1](https://www.amazon.com/Portal-Facebook-Hands-Free-Calling-Built/dp/B07XPS5W3L/ref=sr_1_1_sspa?th=1). (Year: 2019).\*

(Continued)

*Primary Examiner* — Kendra Leslie Hamilton  
*Assistant Examiner* — Amanda Christensen  
(74) *Attorney, Agent, or Firm* — FisherBroyles, LLP

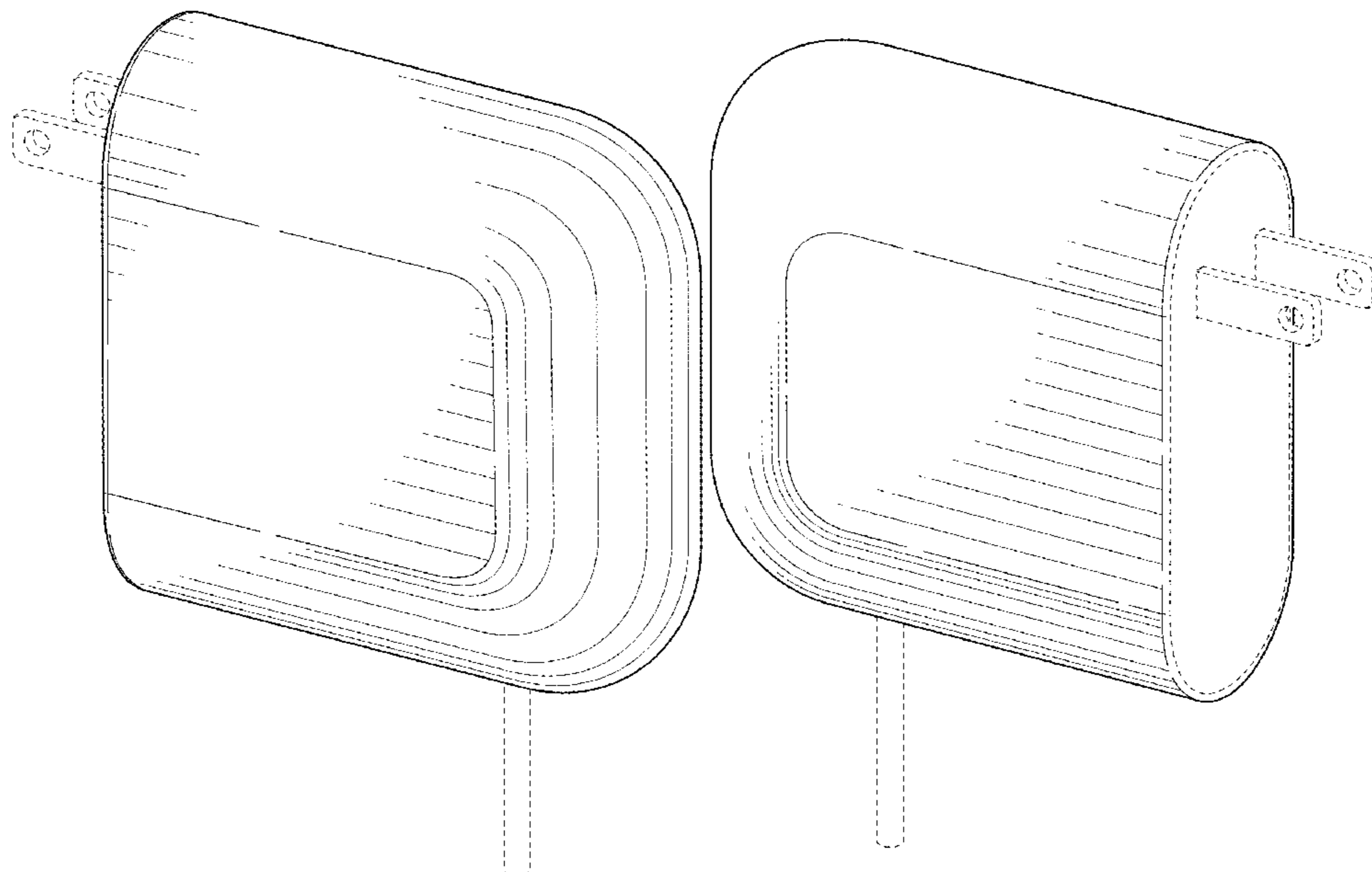
(57) **CLAIM**

The ornamental design for a power adapter, as shown and described.

**DESCRIPTION**

FIG. 1 is a top, front, left side perspective view of a power adapter, showing my new design;  
FIG. 2 is a top, rear, right side perspective view thereof;  
FIG. 3 is a front elevation view thereof;  
FIG. 4 is a rear elevation view thereof;  
FIG. 5 is a top plan view thereof;  
FIG. 6 is a bottom plan view thereof;  
FIG. 7 is a left side elevation view thereof; and,  
FIG. 8 is a right side elevation view thereof.  
The broken lines in the drawings depict portions of the power adapter that form no part of the claimed design.

**1 Claim, 6 Drawing Sheets**



(56)

**References Cited**

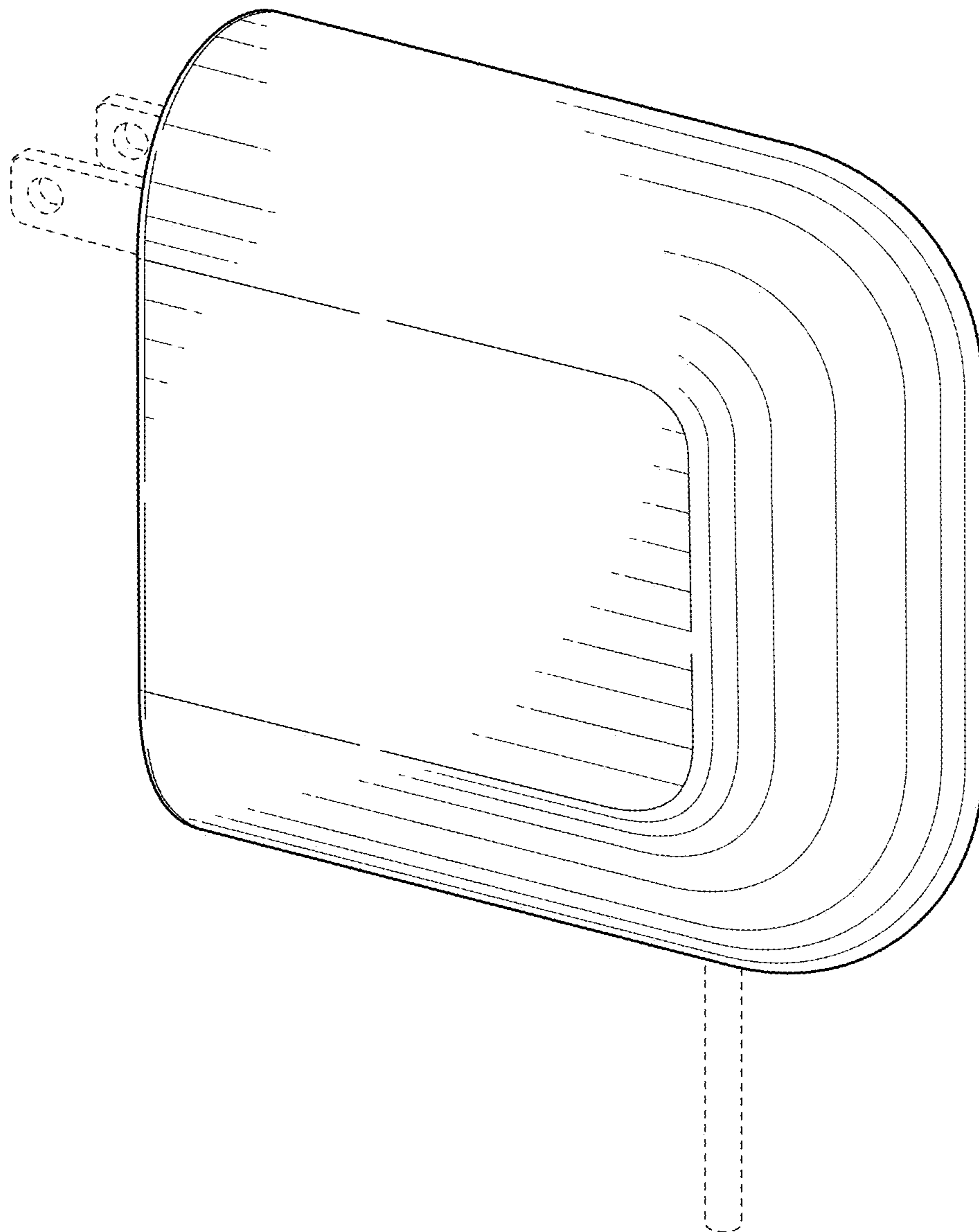
OTHER PUBLICATIONS

“Lenovo Adapter”. Found online Oct. 14, 2020 at shop.pricetronic.com. Reference dated Jan. 31, 2018. Retrieved from [https://tineye.com/search/576f90385d285e31d2aaafe0abf61637c905b915?sort=crawl\\_date&order=asc&page=1&ia=ebay.com](https://tineye.com/search/576f90385d285e31d2aaafe0abf61637c905b915?sort=crawl_date&order=asc&page=1&ia=ebay.com). (Year: 2018).\*

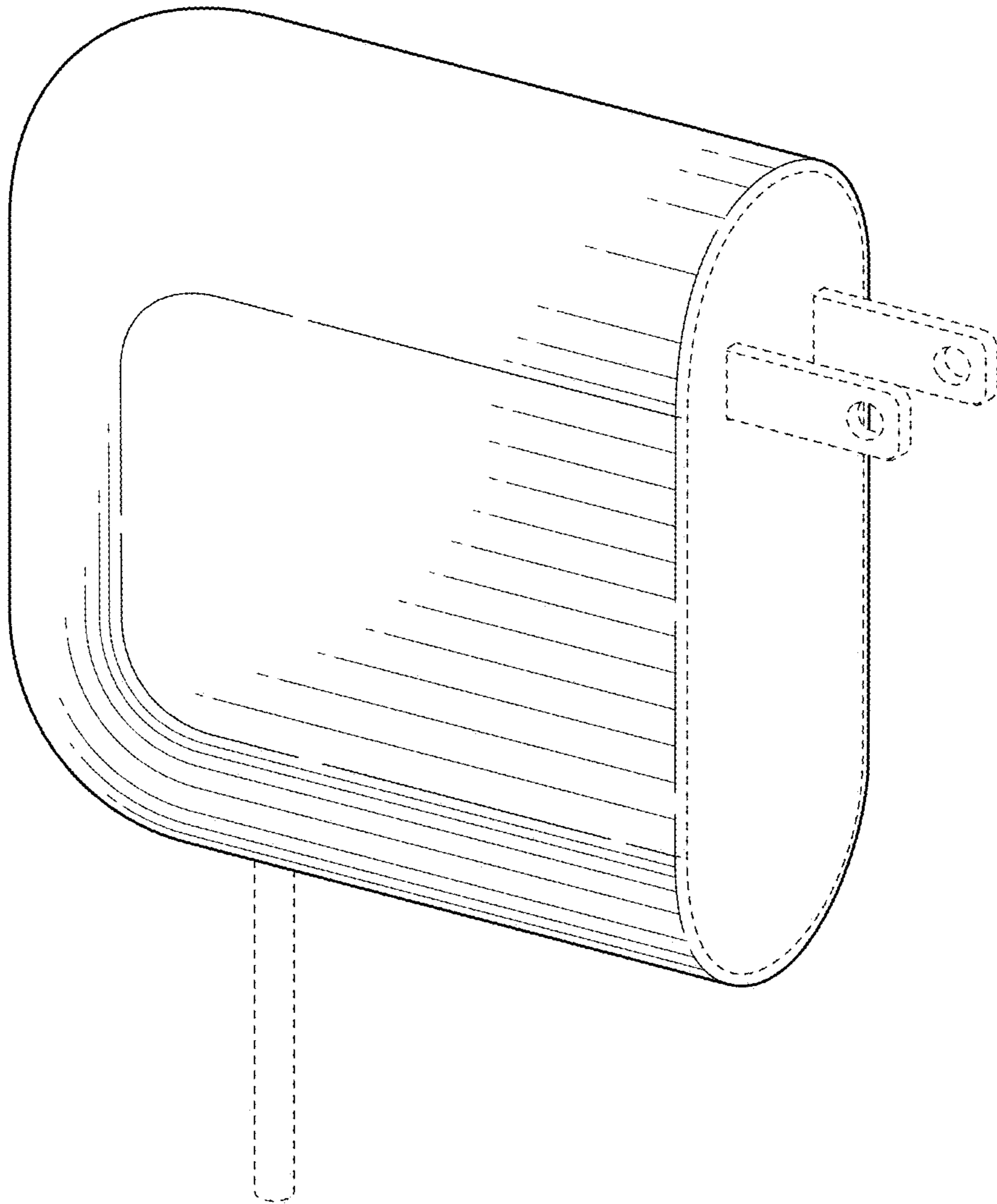
“AC Adapter Power Supply”. Found online Nov. 9, 2020 at amazon.com. Reference dated Feb. 5, 2018. Retrieved from <https://www.amazon.com/Adapter-Compatible-Western-Essential-External/dp/B079NWYXX8>. (Year: 2018).\*

“Facebook Portal Plus Charger”. Found online Oct. 14, 2020 at battery-vendor.com. Reference dated Oct. 14, 2020. Retrieved from <https://www.battery-vendor.com/facebook-portal-plus-15-6-display-899-00048-01-charger-19v-2-37a-149327.htm>. (Year: 2020).\*

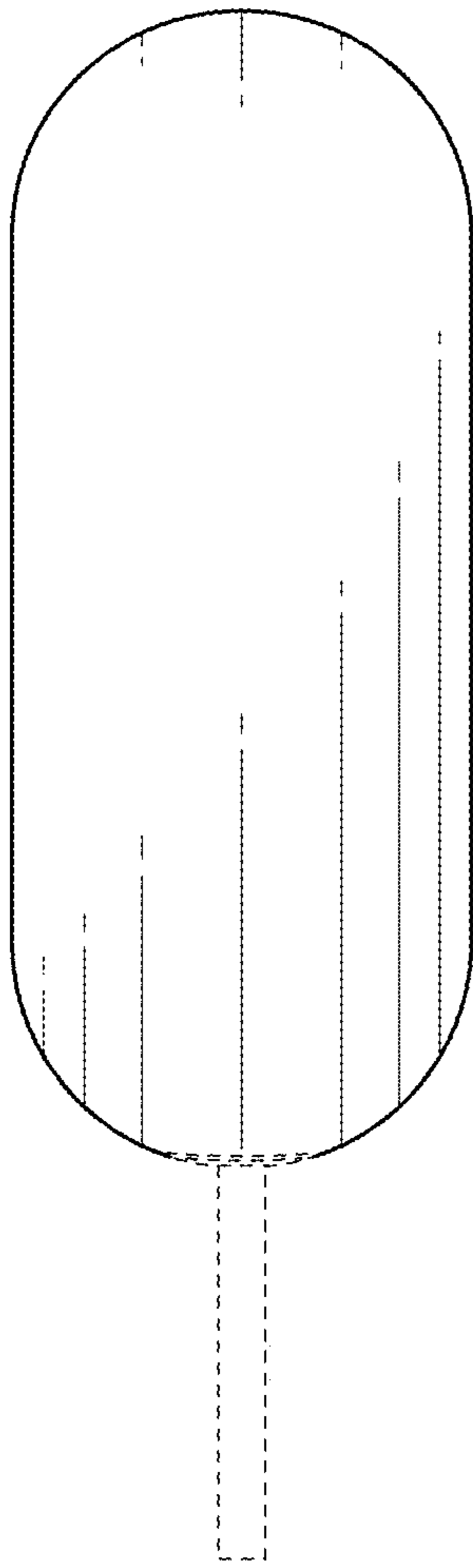
\* cited by examiner



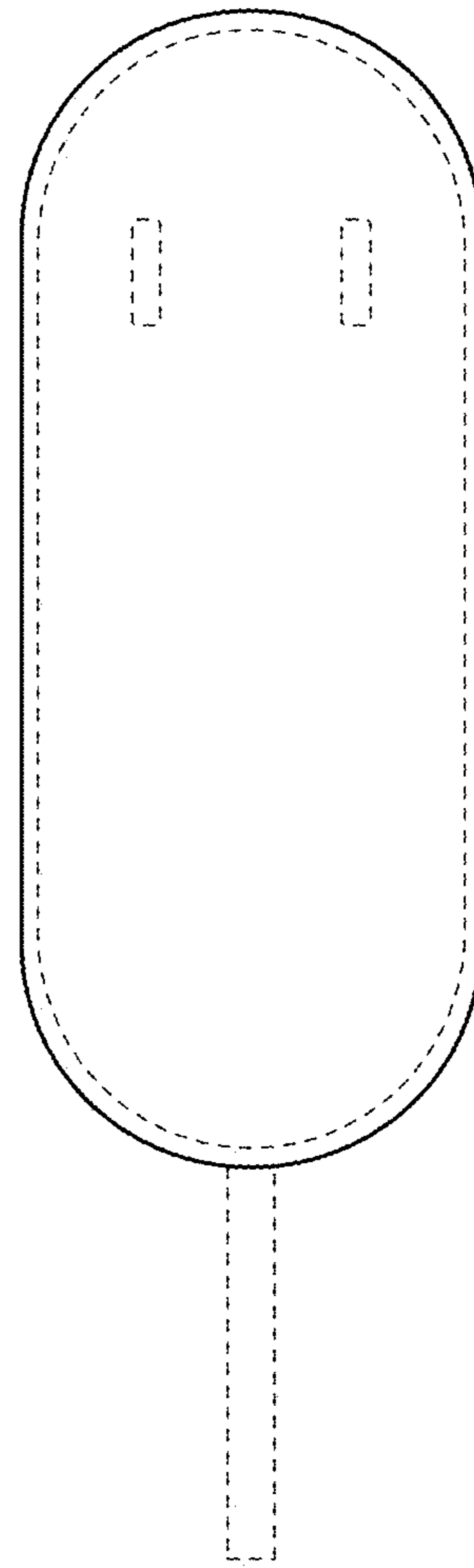
**FIG. 1**



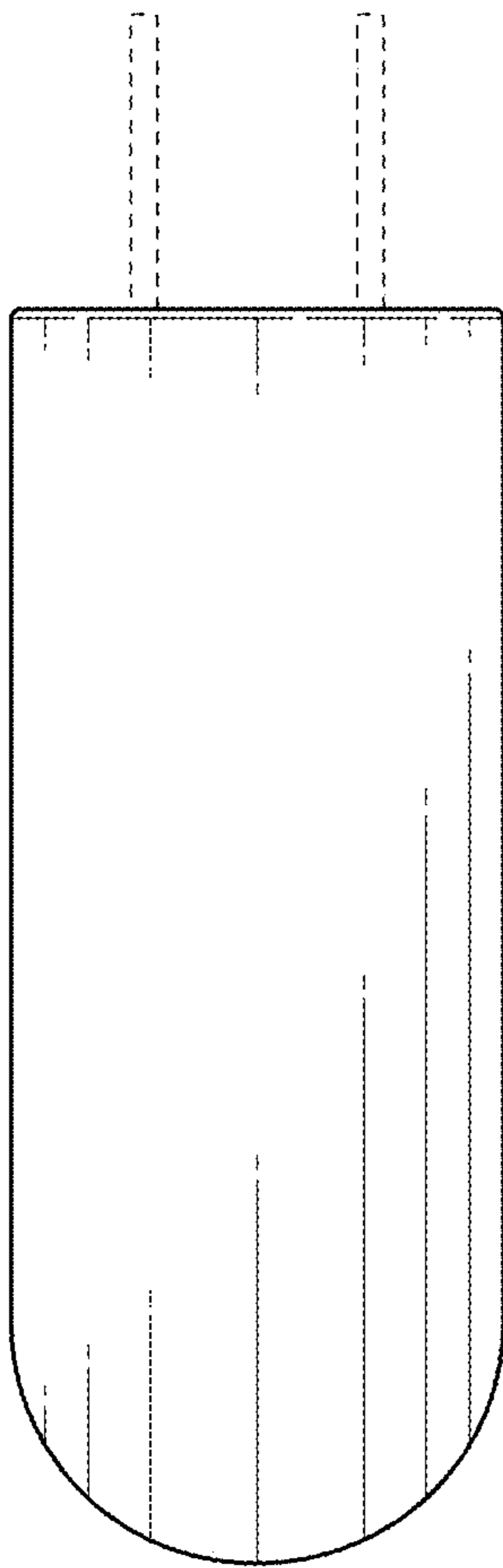
**FIG. 2**



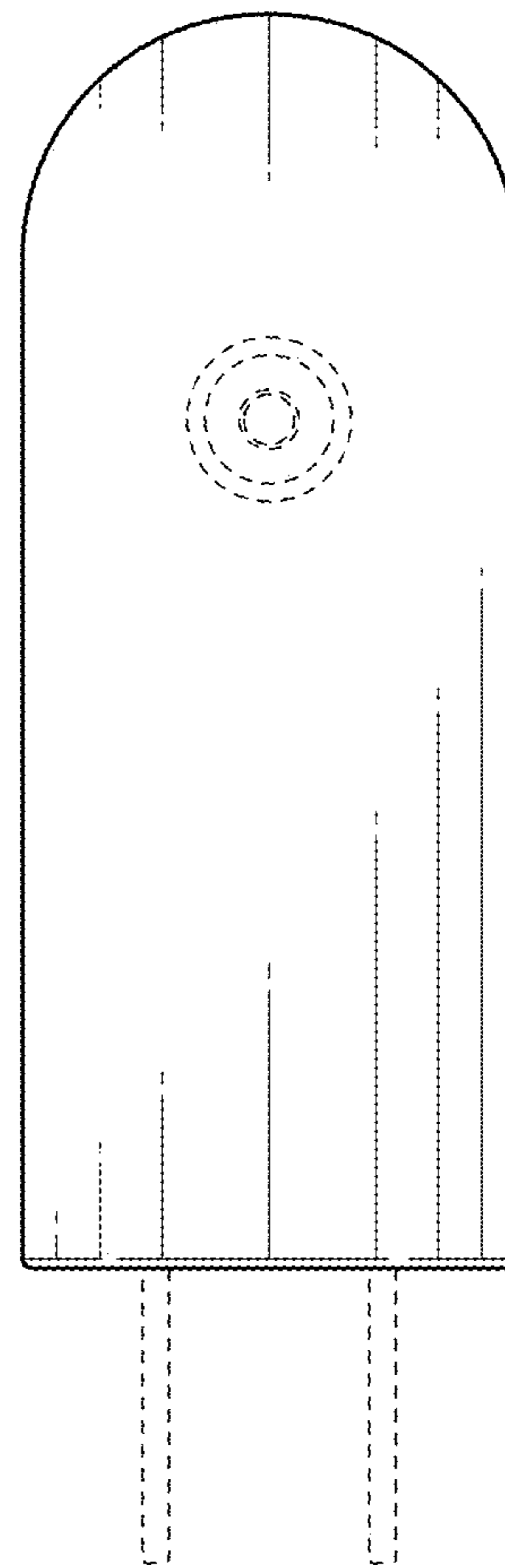
**FIG. 3**



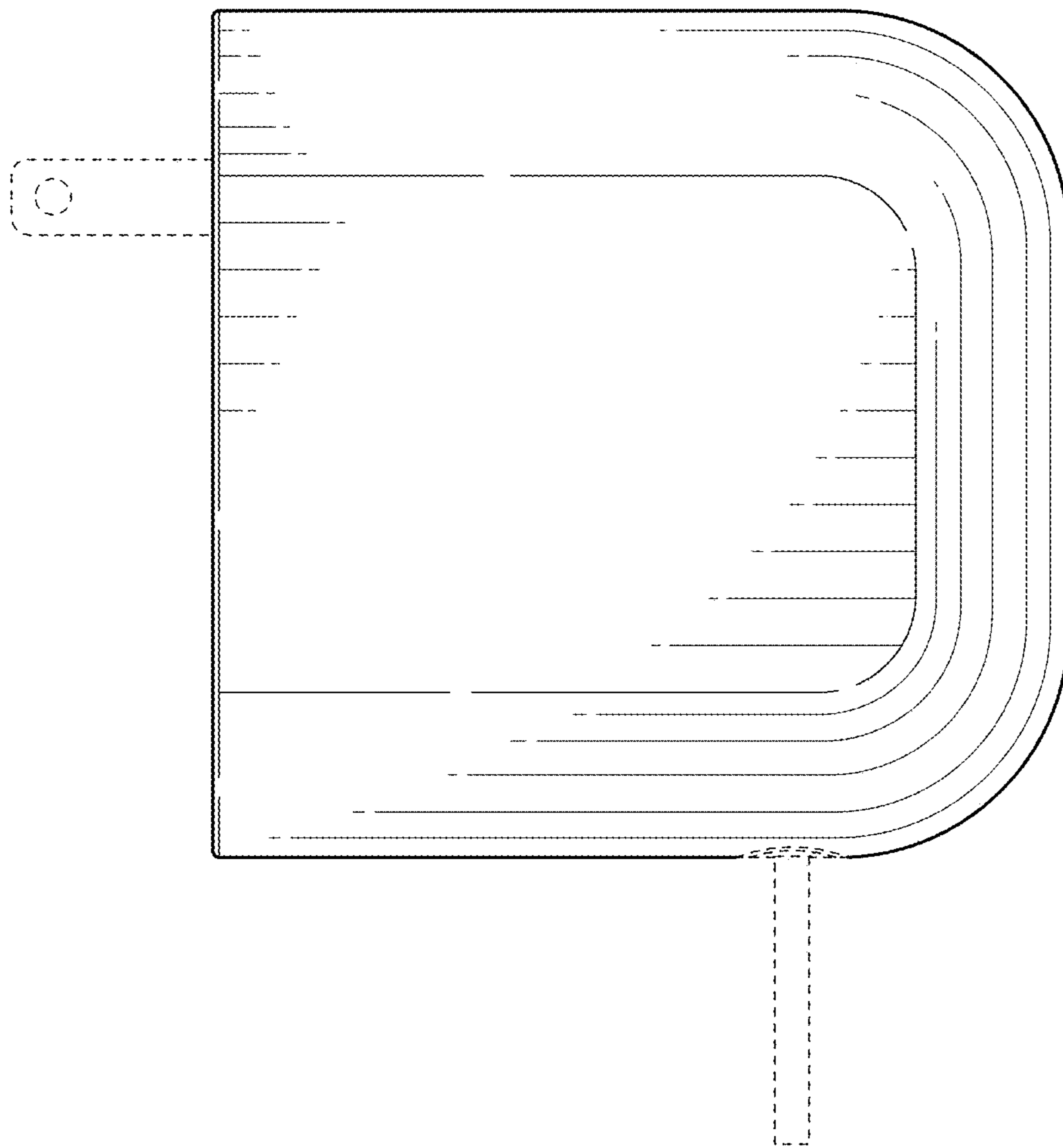
**FIG. 4**



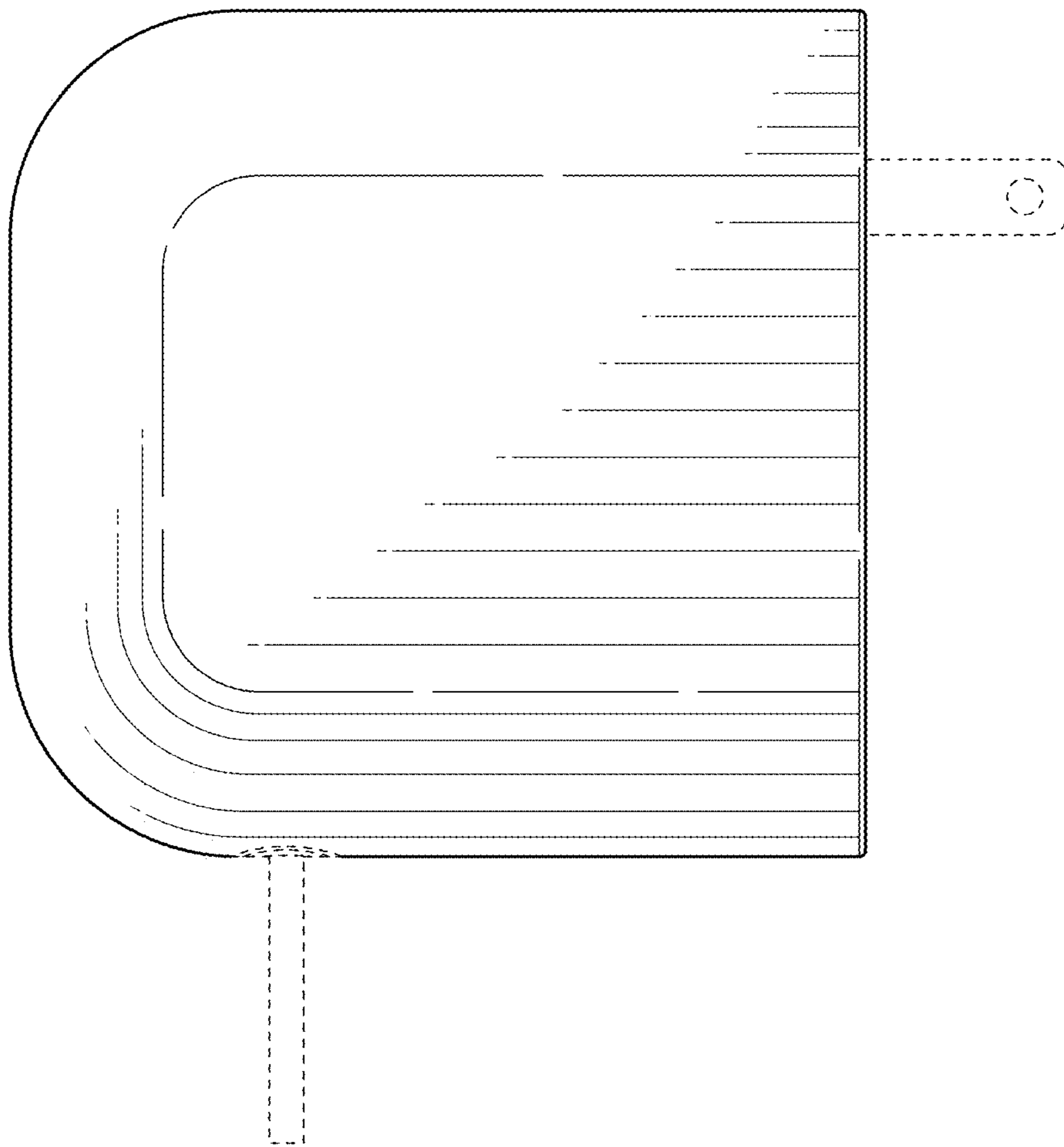
**FIG. 5**



**FIG. 6**



**FIG. 7**



**FIG. 8**