



US00D941244S

(12) **United States Design Patent**  
**Manba**

(10) **Patent No.:** **US D941,244 S**  
(45) **Date of Patent:** **\*\* Jan. 18, 2022**

(54) **ELECTRIC CONNECTOR**

(71) Applicant: **KYOCERA Corporation**, Kyoto (JP)

(72) Inventor: **Yousuke Manba**, Yokohama (JP)

(73) Assignee: **KYOCERA CORPORATION**, Kyoto (JP)

(\*\*) Term: **15 Years**

(21) Appl. No.: **29/711,403**

(22) Filed: **Oct. 31, 2019**

(30) **Foreign Application Priority Data**

Jun. 25, 2019 (JP) ..... 2019-013974

(51) **LOC (13) Cl.** ..... **13-03**

(52) **U.S. Cl.**  
USPC ..... **D13/133**

(58) **Field of Classification Search**  
USPC ..... D13/103, 107, 108, 110, 112, 118, 120,  
D13/123, 133, 137.1, 138.1, 139.1,  
(Continued)

(56) **References Cited**

**U.S. PATENT DOCUMENTS**

D582,853 S \* 12/2008 Peng ..... D13/147  
D661,653 S \* 6/2012 Nakajima ..... D13/147  
(Continued)

**FOREIGN PATENT DOCUMENTS**

JP 1634798 S 6/2019

**OTHER PUBLICATIONS**

9 Pin to 9 Pin Extension Connector Adapter, Date: May 15, 2019,  
[online], [Site visited Dec. 21, 2020], Available from Internet URL:  
<https://www.amazon.com/dp/B07RWF5D4P/> (Year: 2019).\*

(Continued)

*Primary Examiner* — Susan Bennett Hattan

*Assistant Examiner* — Landon Thomas Cassell

(74) *Attorney, Agent, or Firm* — Hauptman Ham, LLP

(57) **CLAIM**

The ornamental design for an electric connector, as shown and described.

**DESCRIPTION**

FIG. 1 is a top, right, rear perspective view of an electric connector, showing my new design, shown open, in a first configuration for use;

FIG. 2 is a front elevation view thereof;

FIG. 3 is a rear elevation view thereof;

FIG. 4 is an enlarged left side elevation view thereof, the right side being a mirror image thereof;

FIG. 5 is a top plan view thereof;

FIG. 6 is a bottom plan view thereof;

FIG. 7 is an enlarged front elevation view of the detail identified in FIG. 2;

FIG. 8 is a bottom, right, front perspective view thereof;

FIG. 9 is an enlarged bottom, right, front perspective view of the detail identified in FIG. 8;

FIG. 10 is a left, front perspective view thereof;

FIG. 11 is an enlarged left, front perspective view of the detail identified in FIG. 10;

FIG. 12 is a top, left, rear perspective view thereof;

FIG. 13 is an enlarged top, right, rear perspective view of the detail identified in FIG. 12;

FIG. 14 is a top, right, rear perspective view thereof;

FIG. 15 is an enlarged top, right, rear perspective view of the detail identified in FIG. 14;

FIG. 16 is a bottom, right perspective view thereof;

FIG. 17 is an enlarged bottom, right perspective view of the detail identified in FIG. 16;

FIG. 18 is a bottom, left, rear perspective view thereof;

FIG. 19 is an enlarged bottom, left, rear perspective view of the detail identified in FIG. 18;

FIG. 20 is a top, right, front perspective view of the electric connector of FIG. 1, shown closed, in a second configuration for use;

FIG. 21 is a top, right, rear perspective view thereof; and,

(Continued)

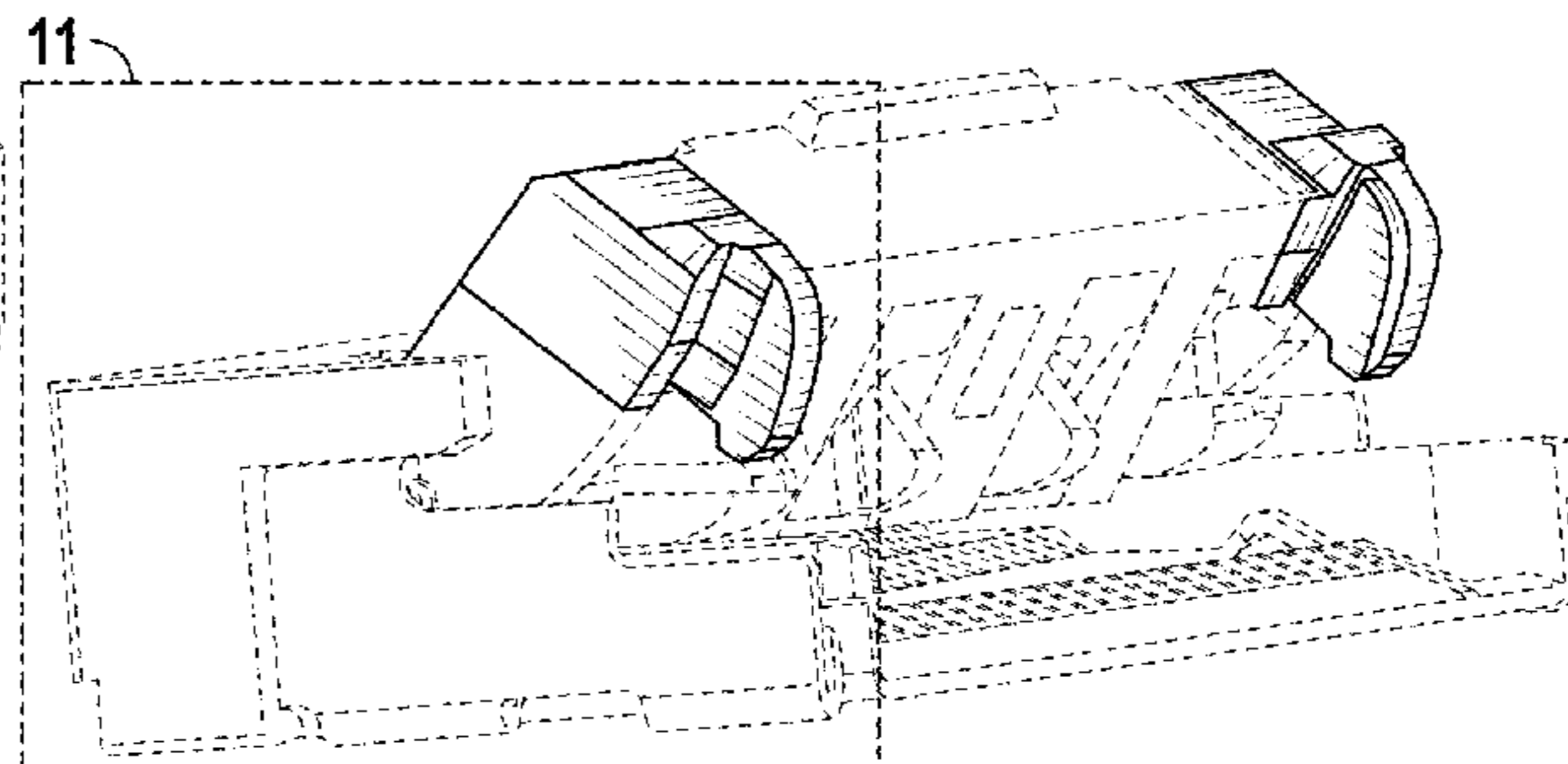
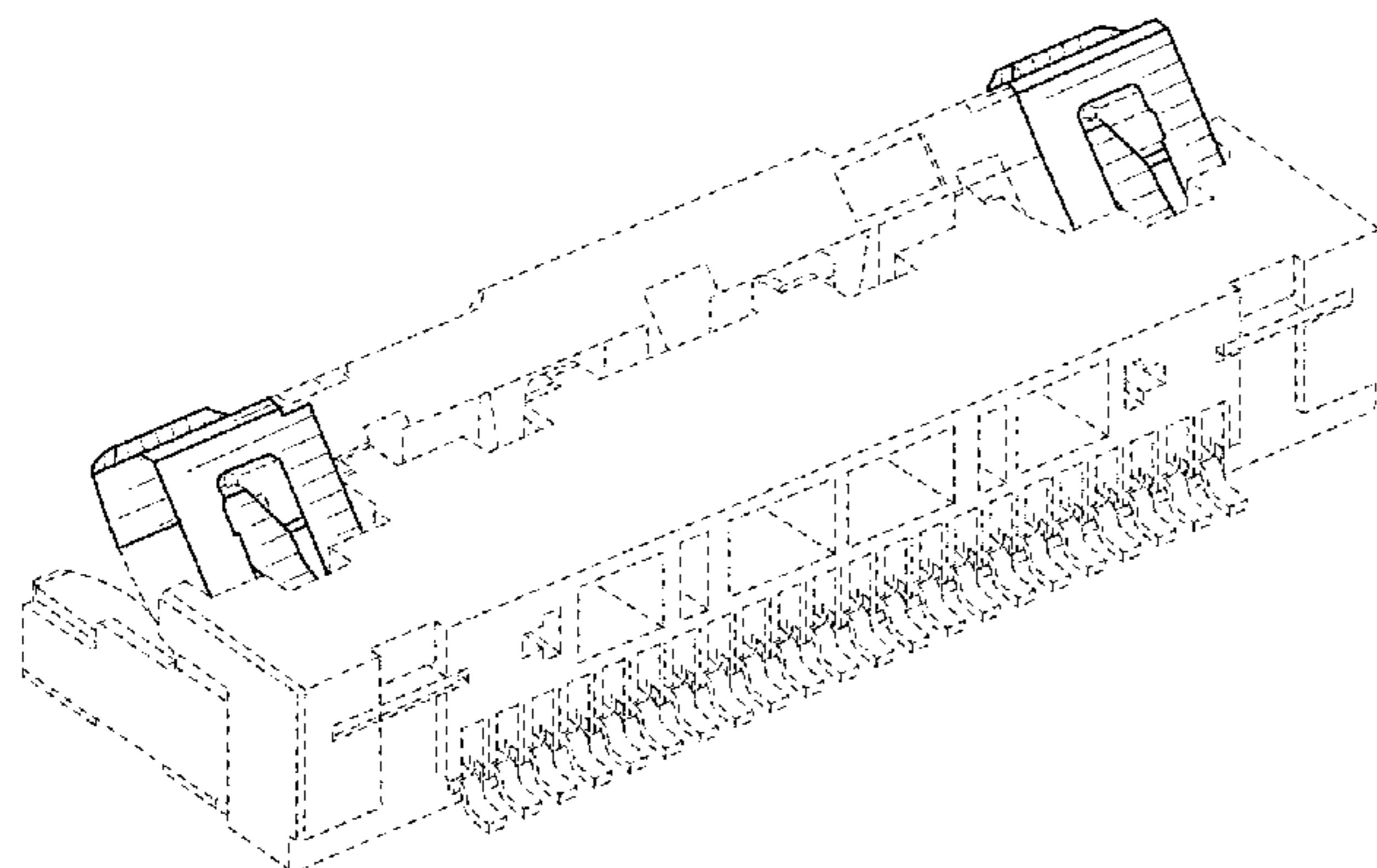


FIG. 22 is a top, right, front perspective view of the electric connector of FIG. 20, shown at a reduced scale and in condition of use.  
The broken lines form no part of the claimed design.

**1 Claim, 12 Drawing Sheets**

**(58) Field of Classification Search**

USPC ..... D13/145–147, 149–156, 158, 173, 177,  
D13/184, 199; D14/240, 242, 256, 432,  
D14/433, 434, 435.1, 438, 439,  
D14/480.1–480.7, 484.1; D24/129

See application file for complete search history.

**(56) References Cited**

U.S. PATENT DOCUMENTS

D691,564 S *	10/2013	Honda	.....	D13/147
D845,248 S *	4/2019	Kitagawa	.....	D13/147
2003/0060072 A1 *	3/2003	Miura	.....	H01R 12/79 439/260
2010/0130051 A1 *	5/2010	Chung	.....	H01R 12/88 439/352
2012/0045919 A1 *	2/2012	Yokoo	.....	H01R 12/774 439/345

2012/0315791 A1 *	12/2012	Honda	.....	H01R 13/648 439/607.34
2012/0322293 A1 *	12/2012	Shimada	.....	H01R 12/79 439/350
2013/0012071 A1 *	1/2013	Ra	.....	H01R 12/88 439/630
2015/0318631 A1 *	11/2015	Kim	.....	H01R 12/7005 439/78
2016/0141785 A1 *	5/2016	Yokoo	.....	H01R 12/772 439/733.1
2016/0380373 A1 *	12/2016	Tojo	.....	H01R 12/721 439/499
2017/0331206 A1 *	11/2017	Manba	.....	H01R 12/61
2017/0331211 A1 *	11/2017	Nakajima	.....	H01R 12/79
2018/0254572 A1 *	9/2018	Ishimaru	.....	H01R 12/57
2018/0323546 A1 *	11/2018	Ikegami	.....	H01R 12/88
2019/0044263 A1 *	2/2019	Ba	.....	H01R 12/88

OTHER PUBLICATIONS

Clamshell Type Bottom Connect 16Pin, Date: Jan. 29, 2016, [online],  
[Site visited Dec. 21, 2020], Available from Internet URL: <https://www.newegg.com/p/0FB-00MU-00BS2> (Year: 2016).\*

Office Action in JP Application No. 2019-013974, dated Dec. 2, 2019, 3pp.

\* cited by examiner

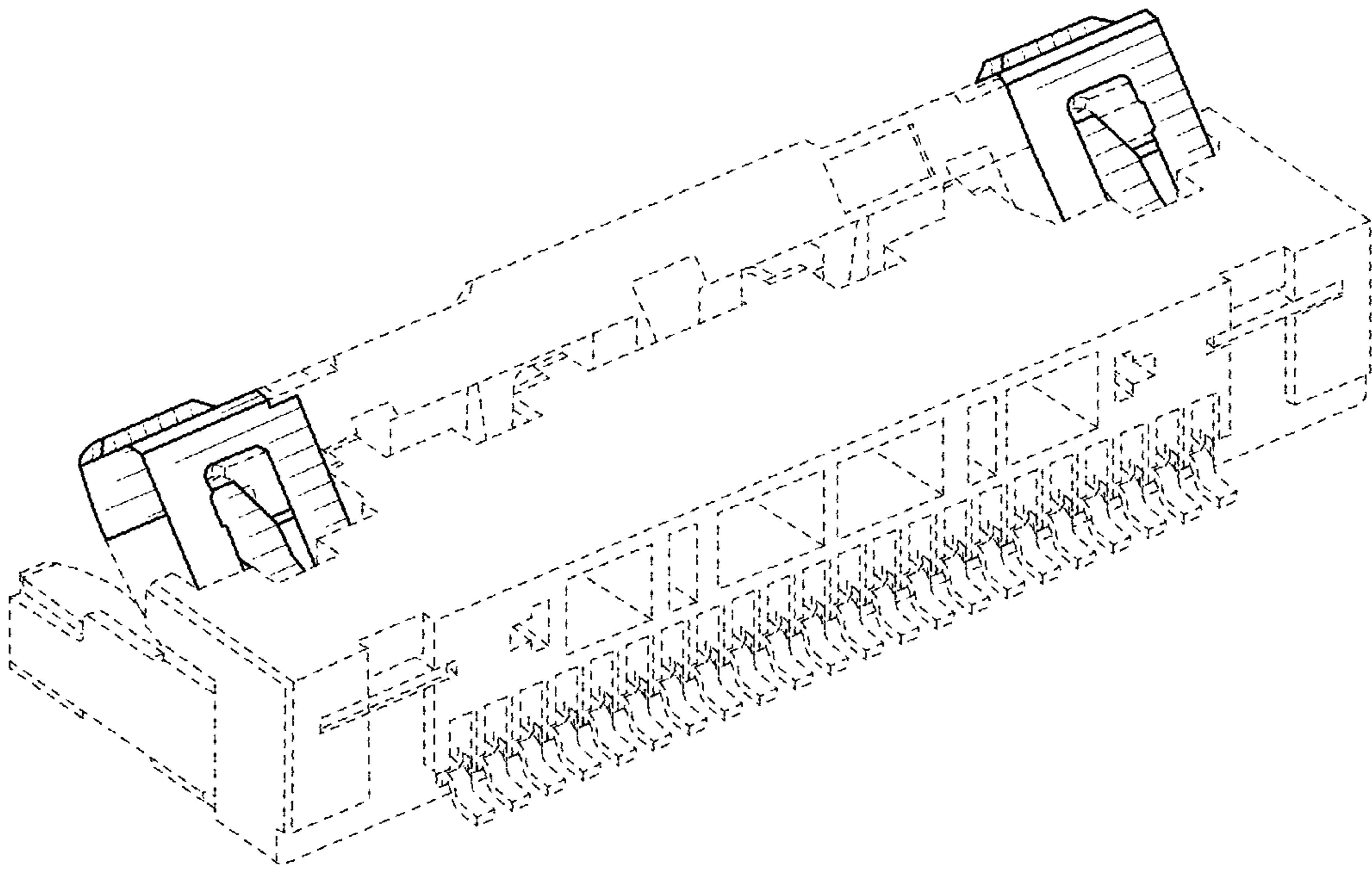


FIG. 1

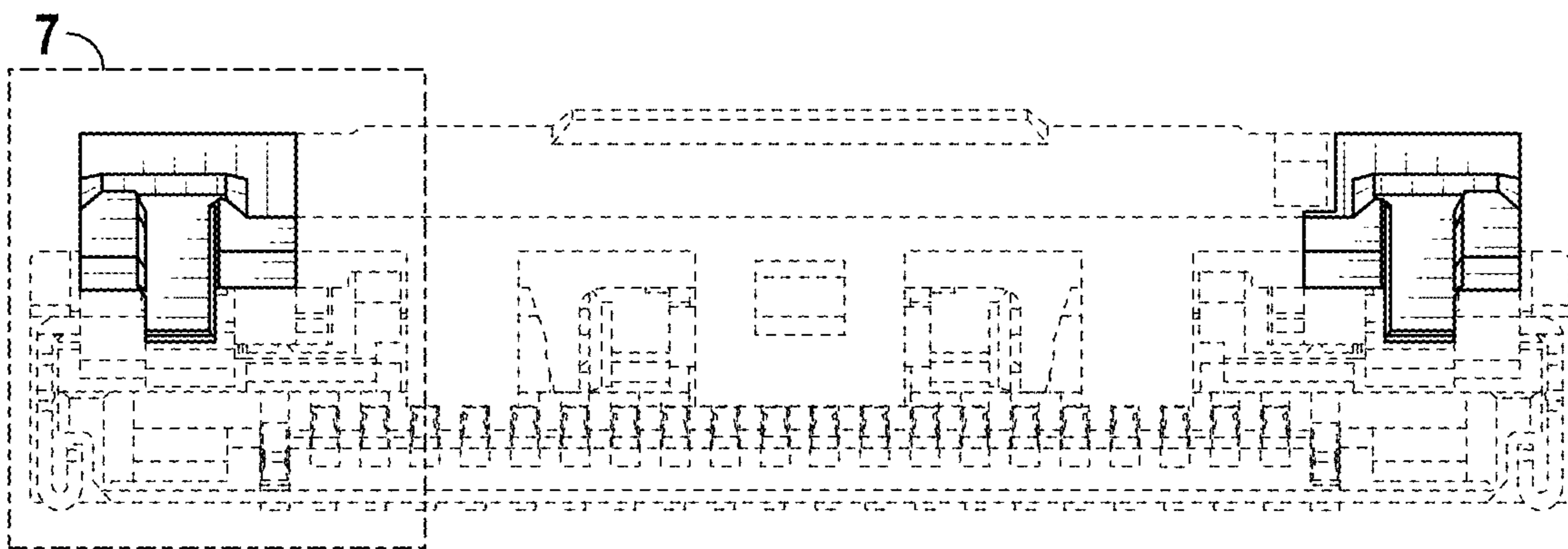


FIG. 2

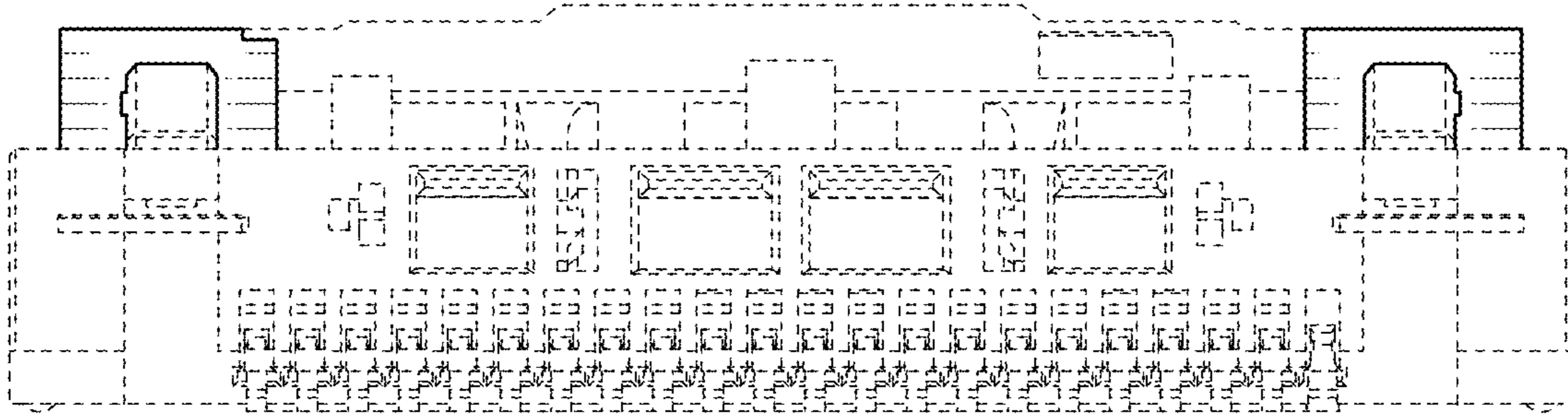


FIG. 3

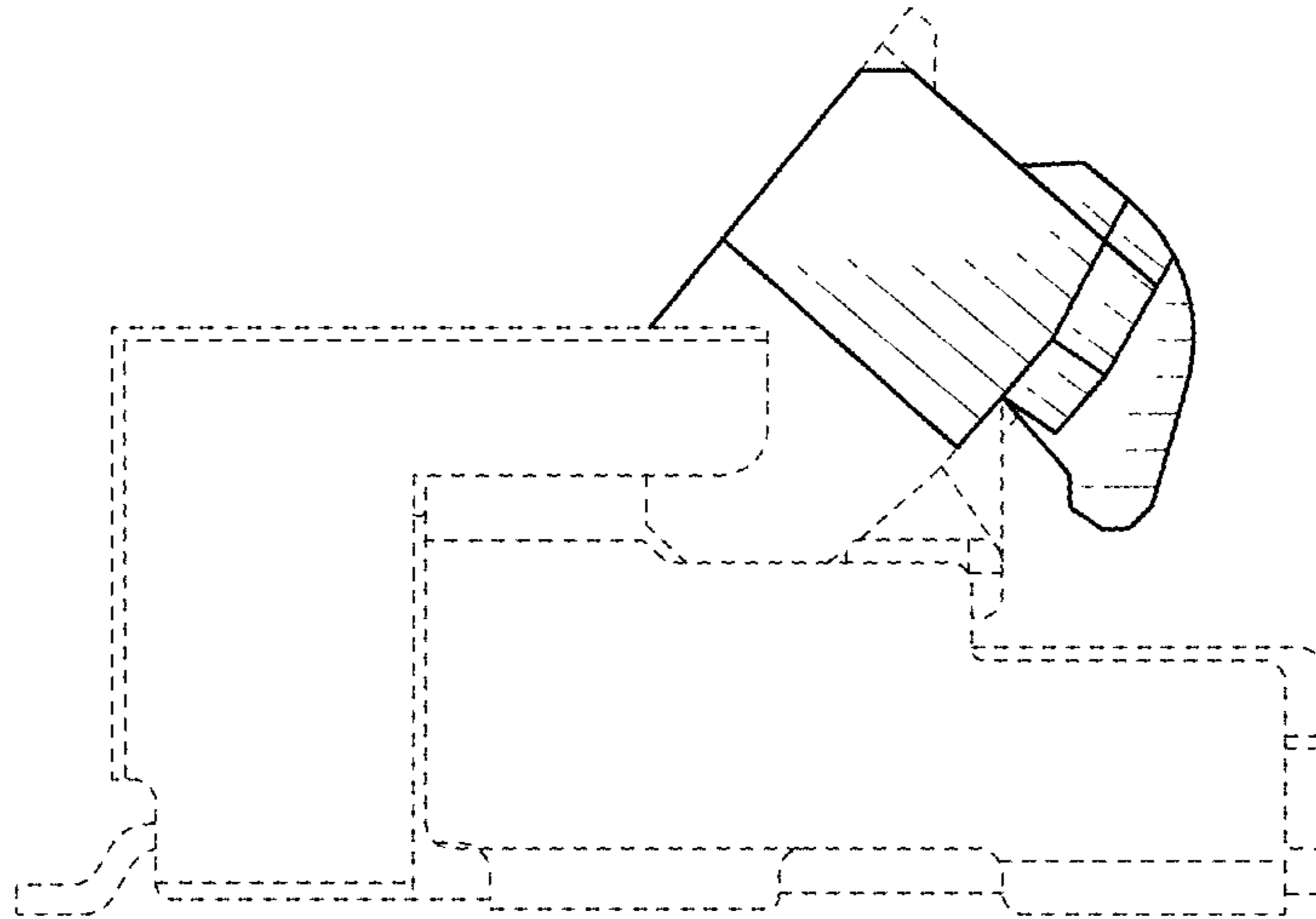


FIG. 4

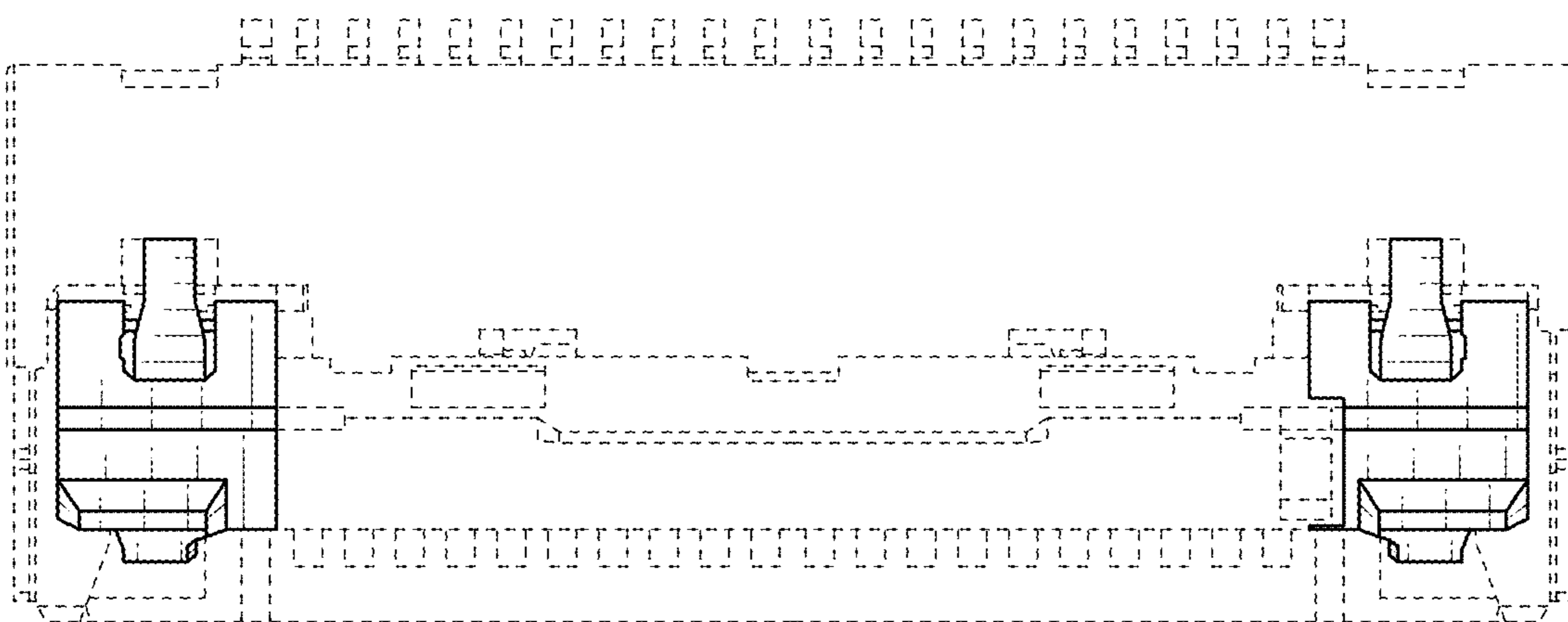


FIG. 5

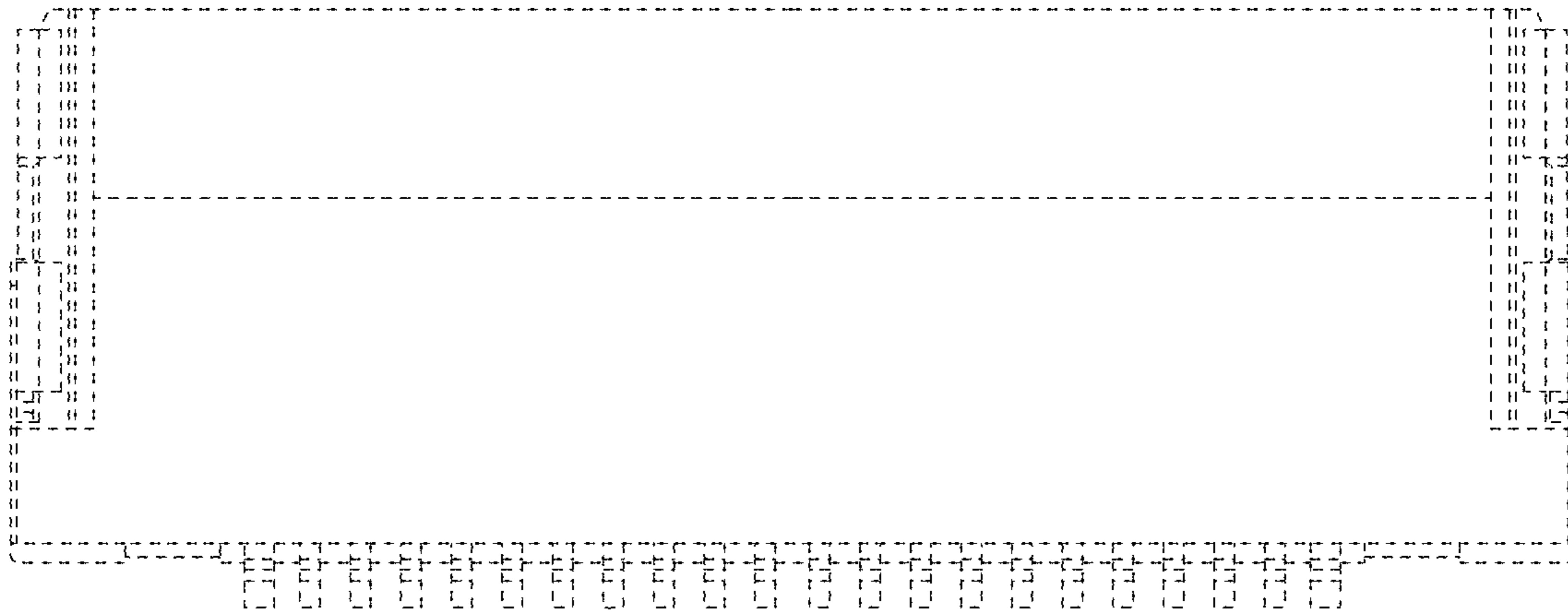


FIG. 6

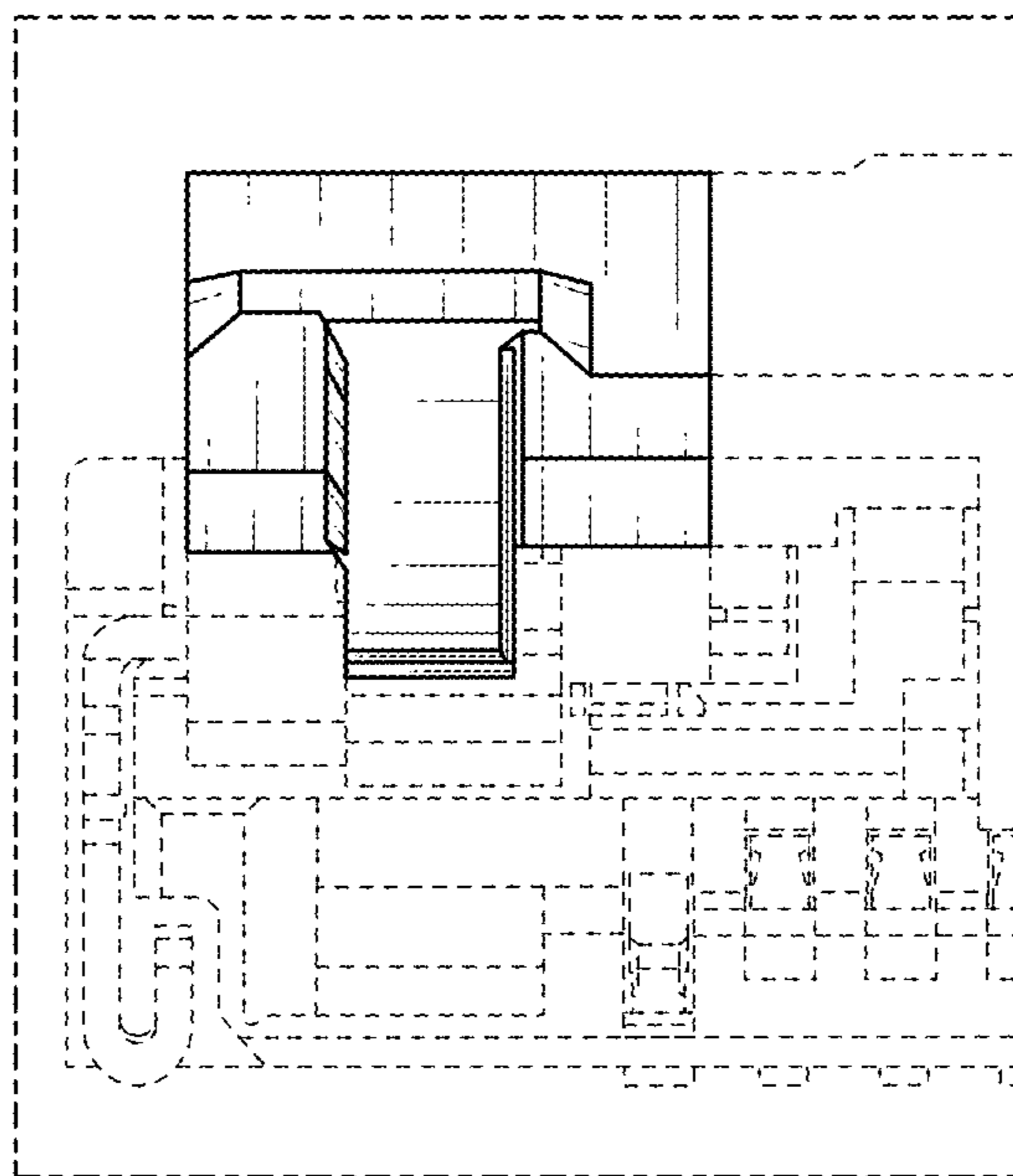


FIG. 7

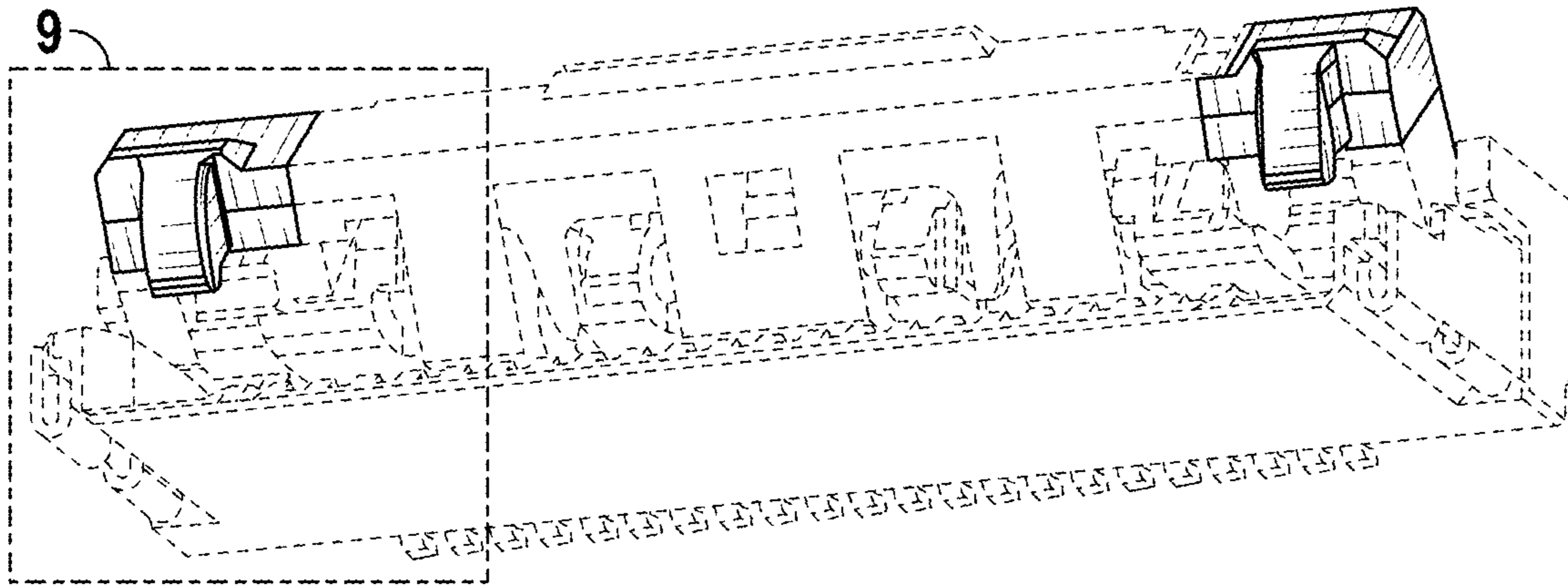


FIG. 8

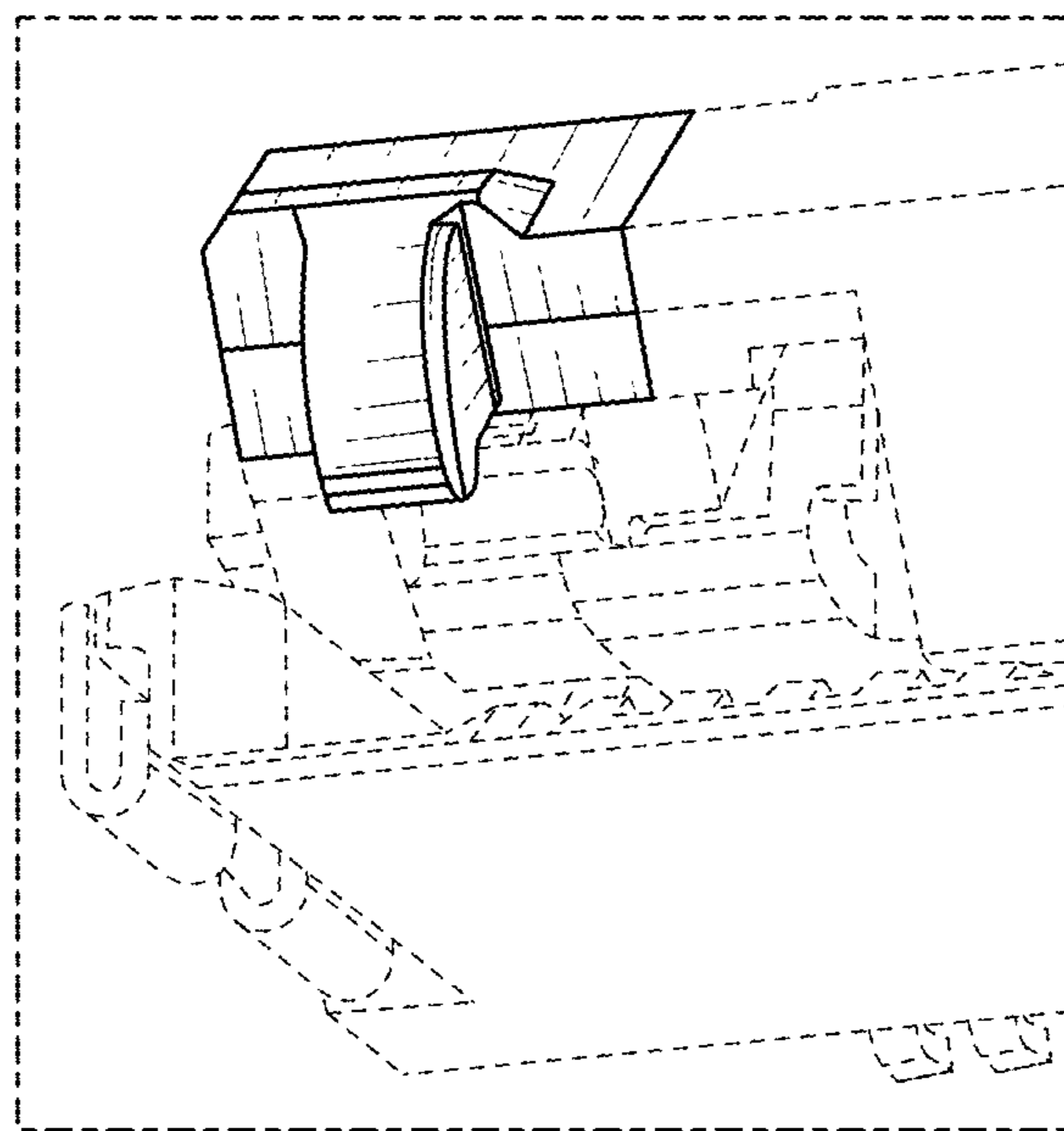


FIG. 9

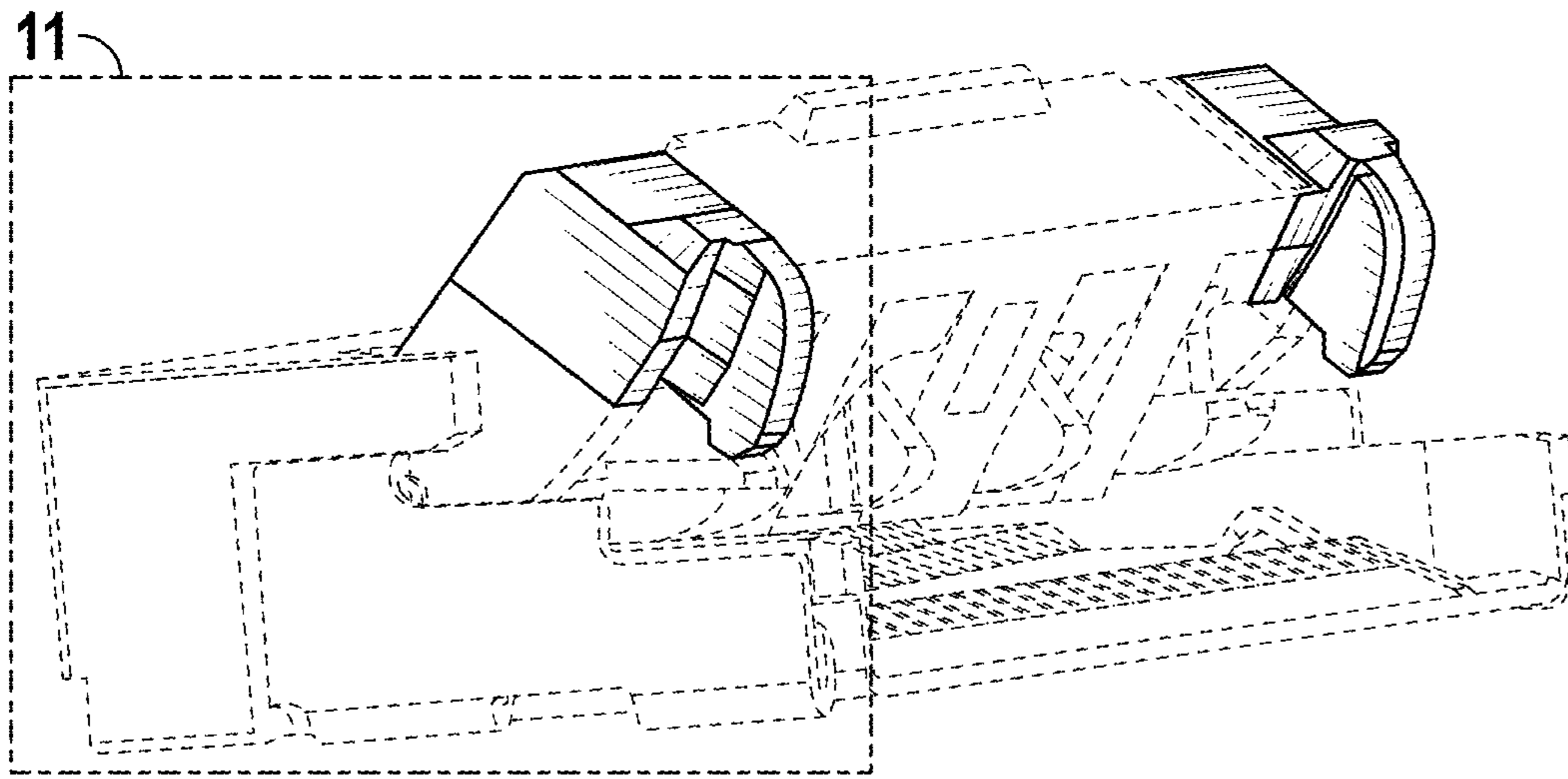


FIG. 10

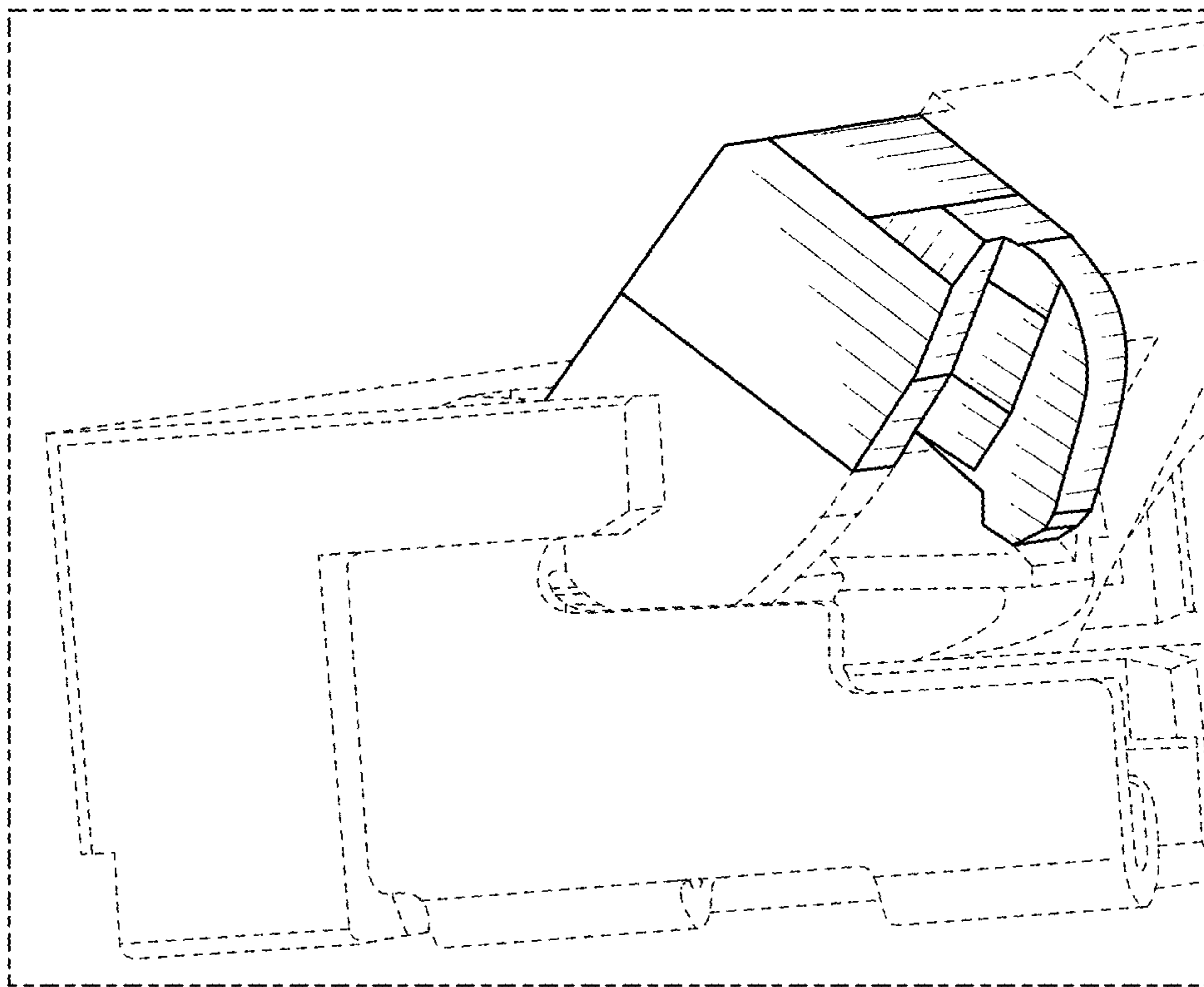


FIG. 11

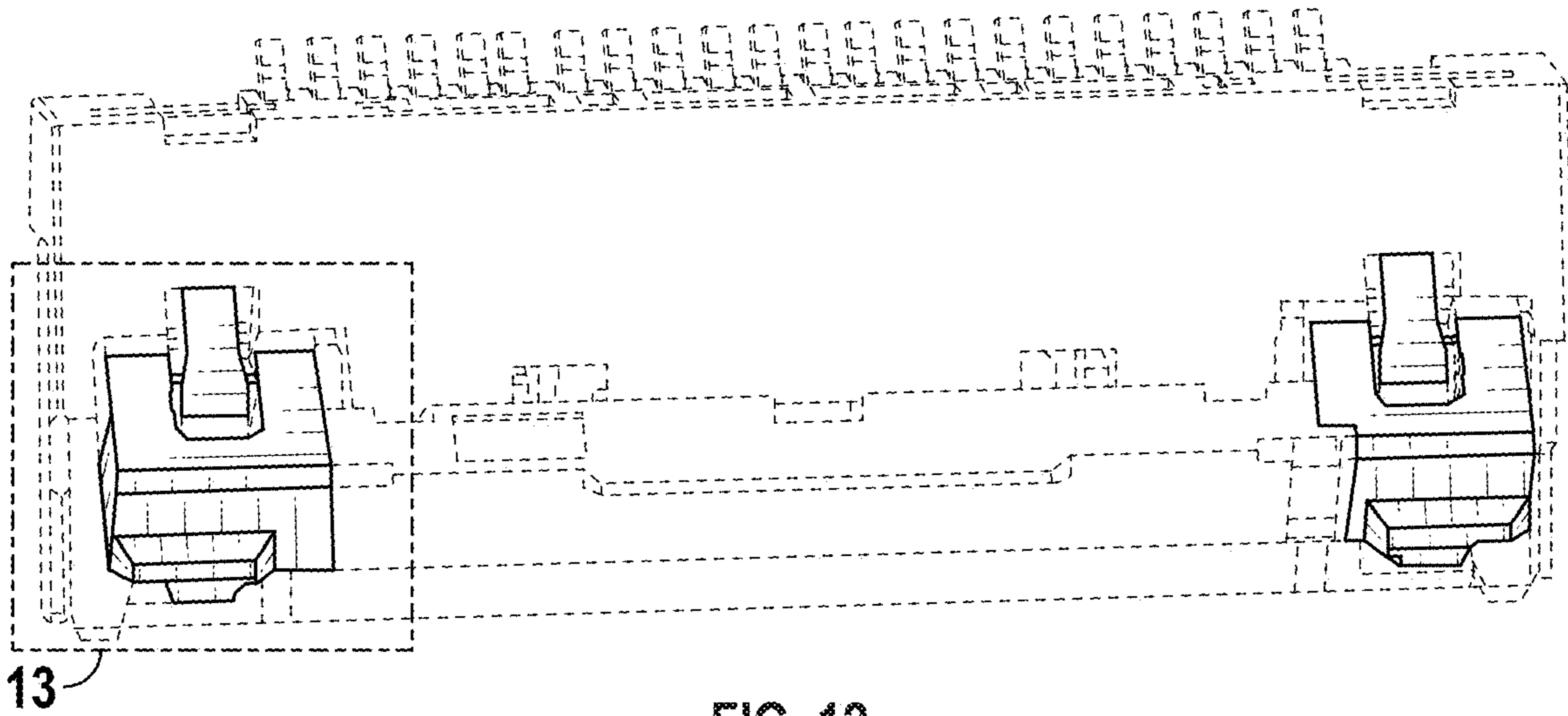


FIG. 12

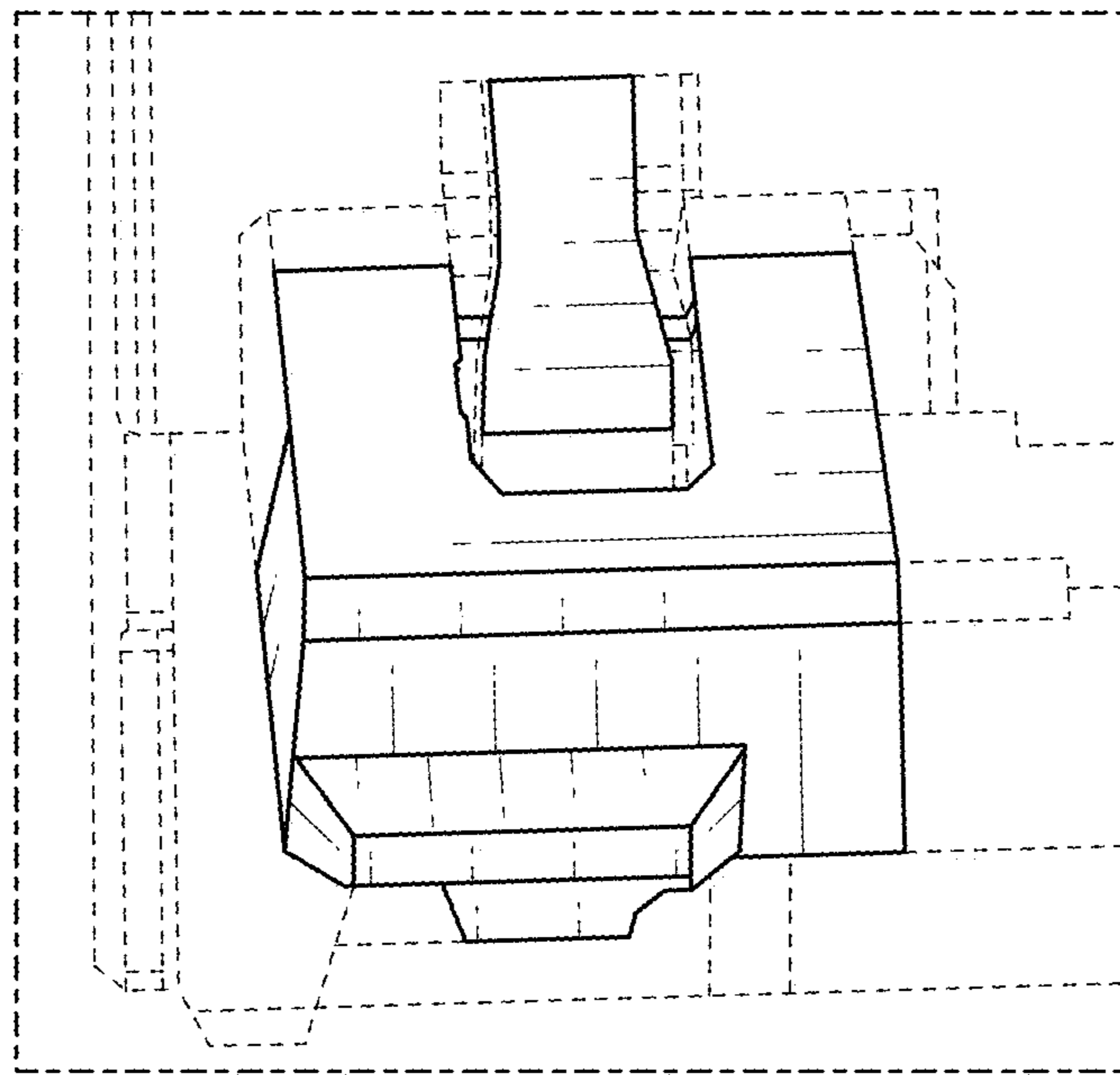


FIG. 13



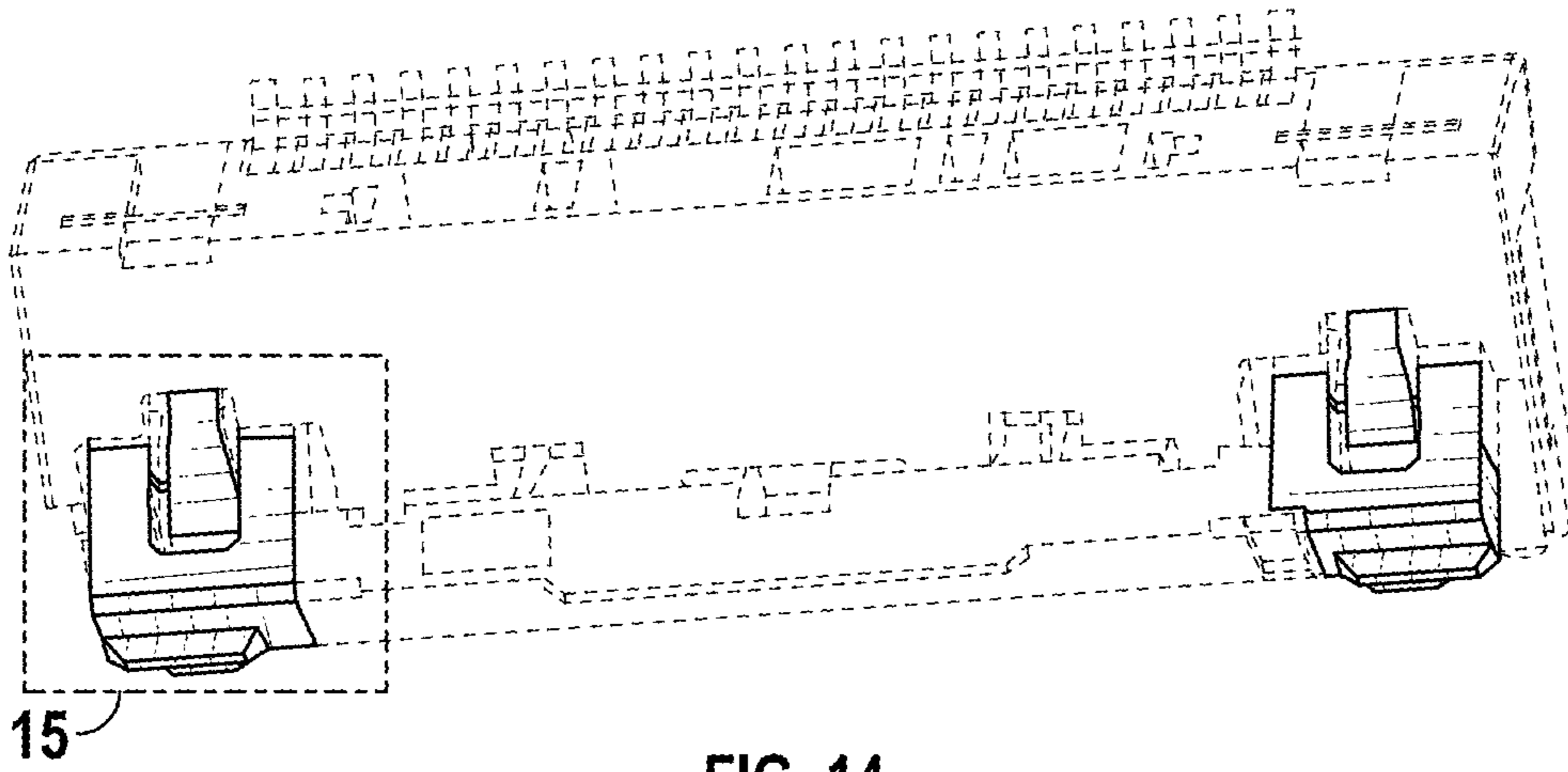


FIG. 14

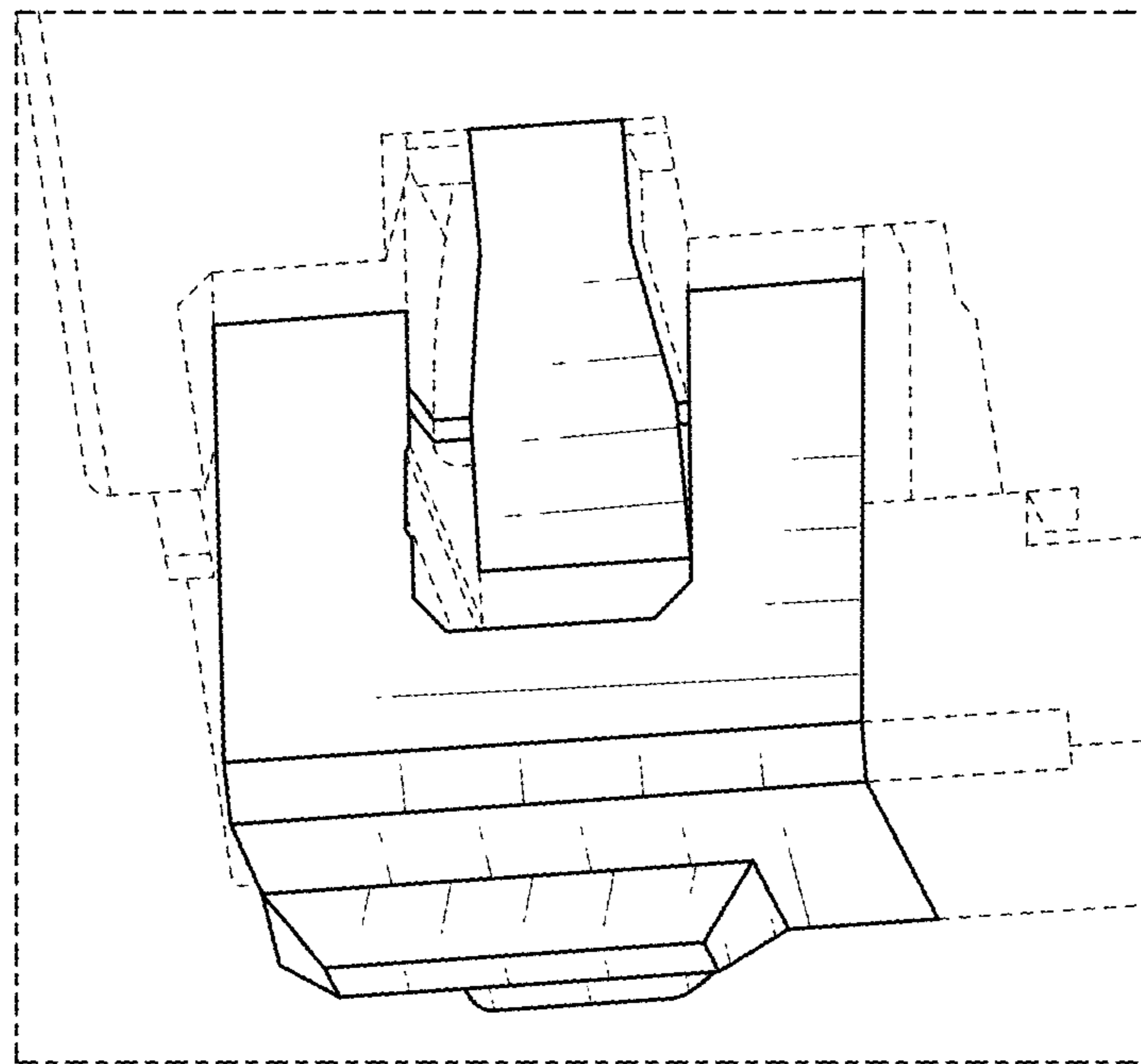


FIG. 15

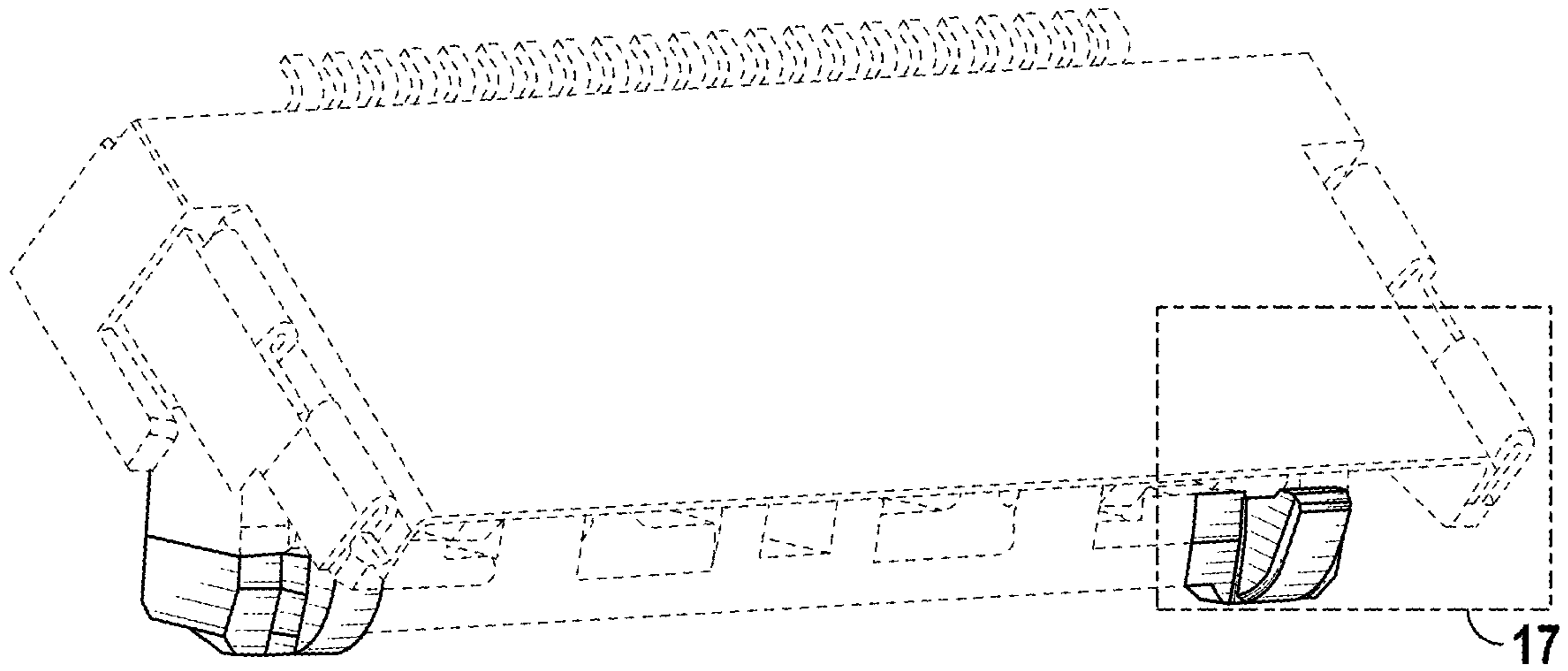


FIG. 16

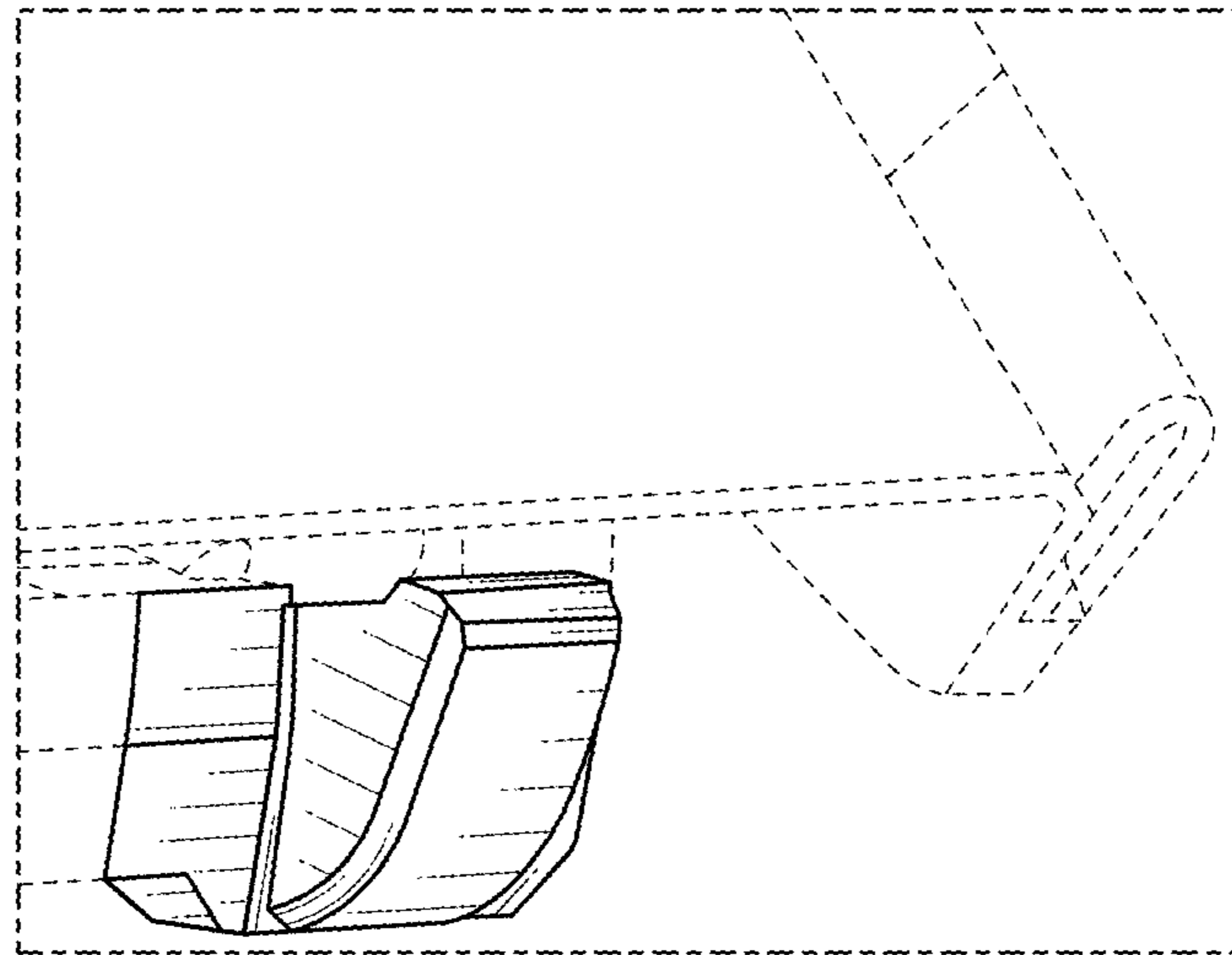


FIG. 17

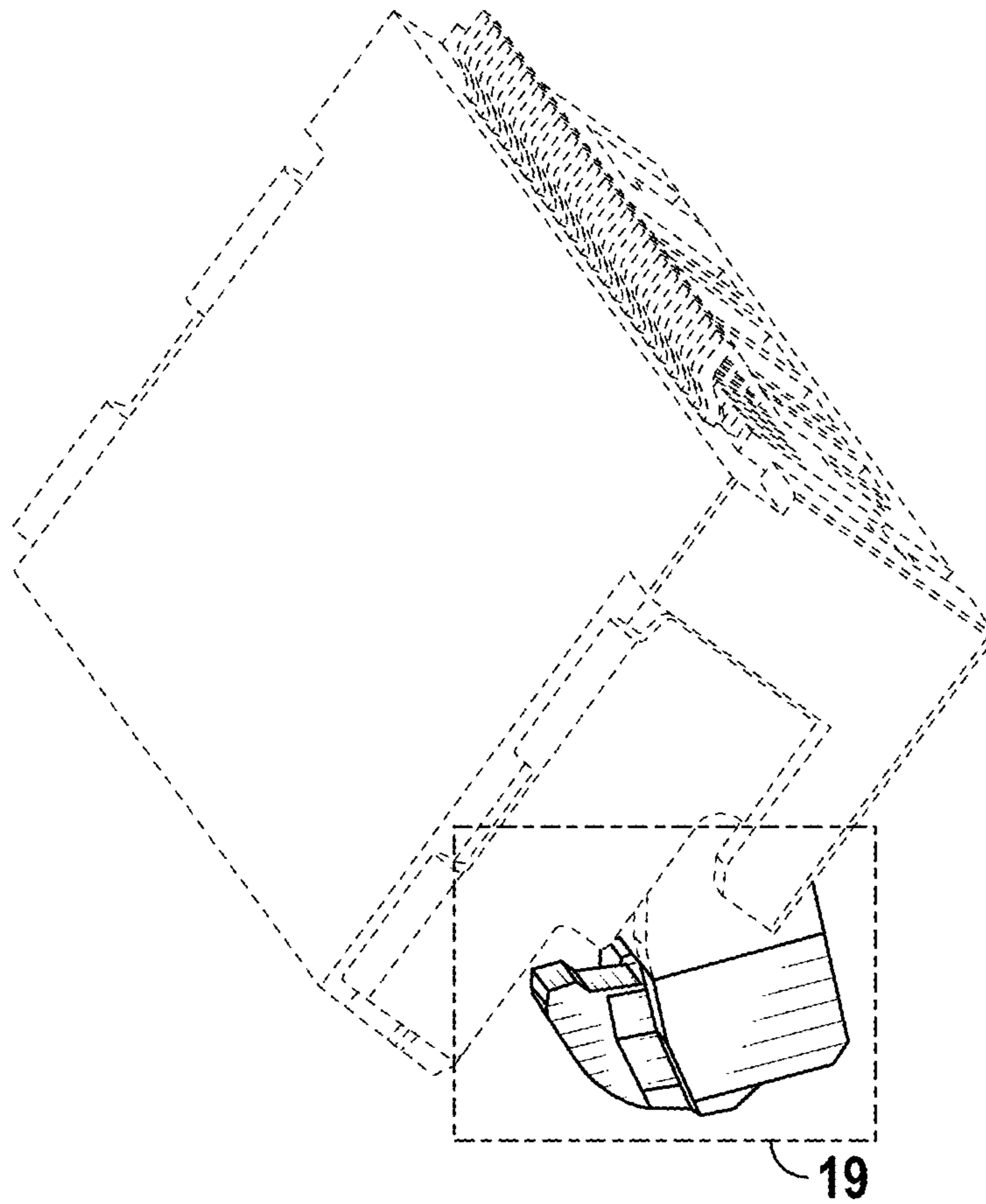


FIG. 18

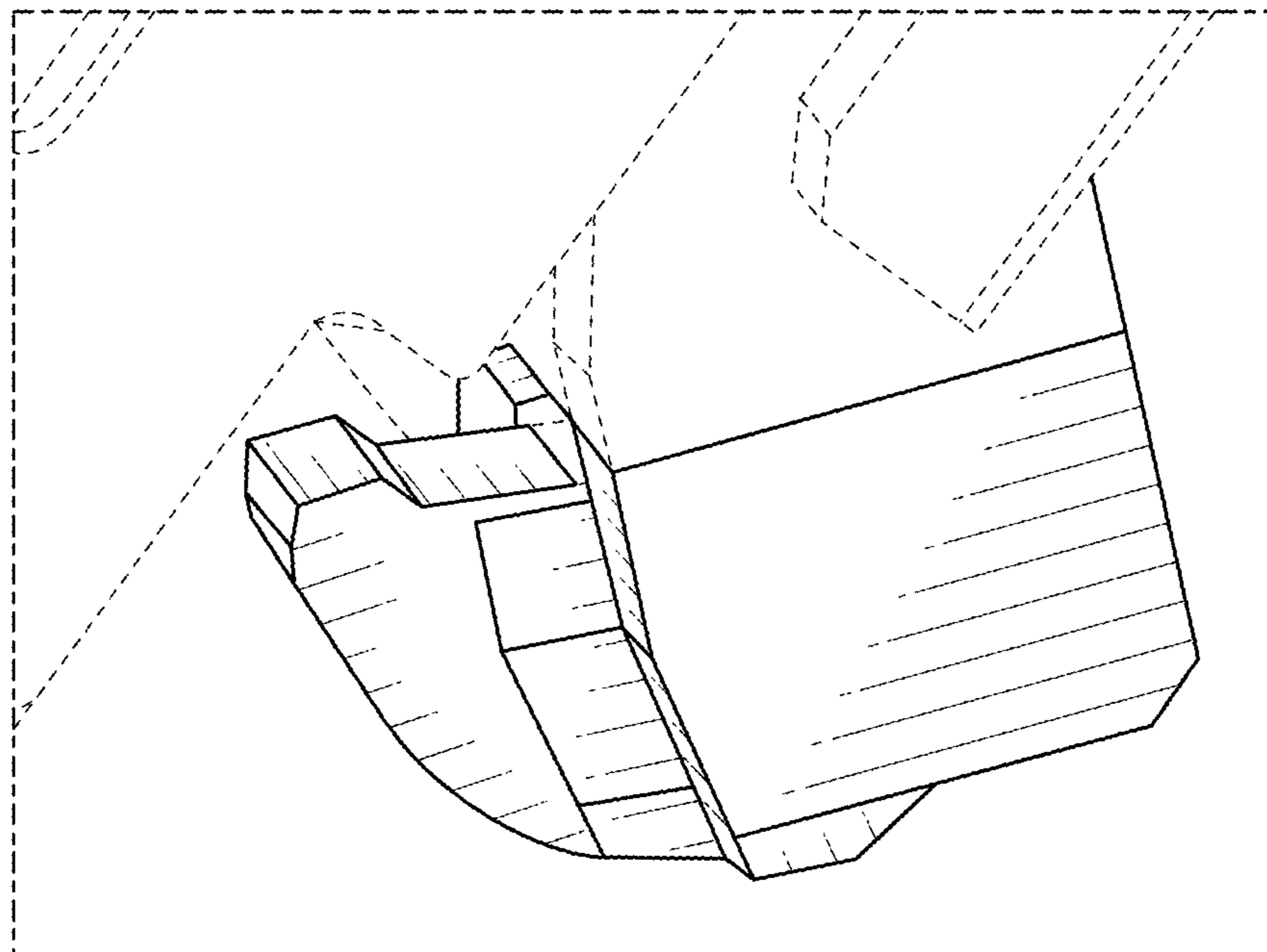


FIG. 19

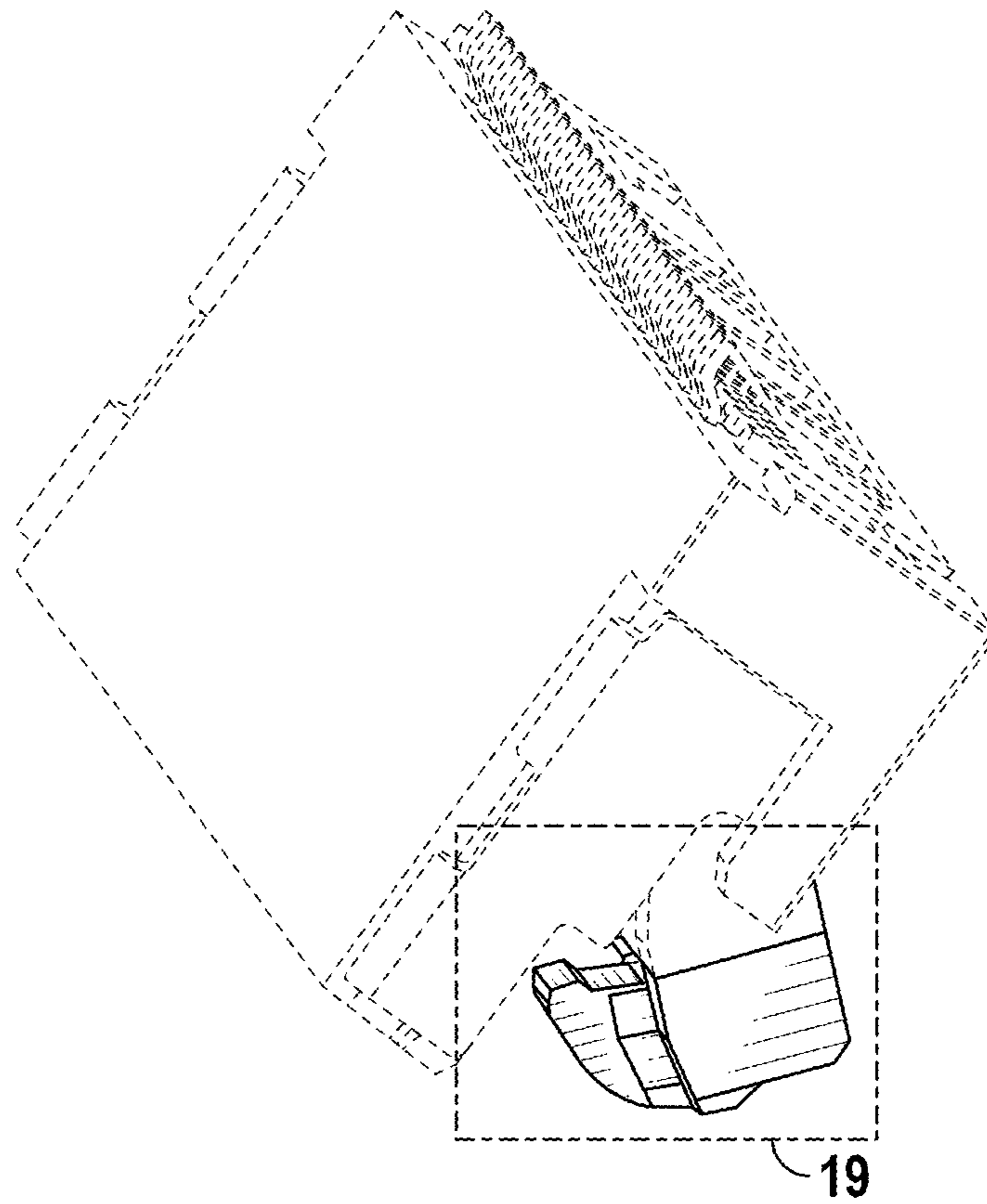


FIG. 18

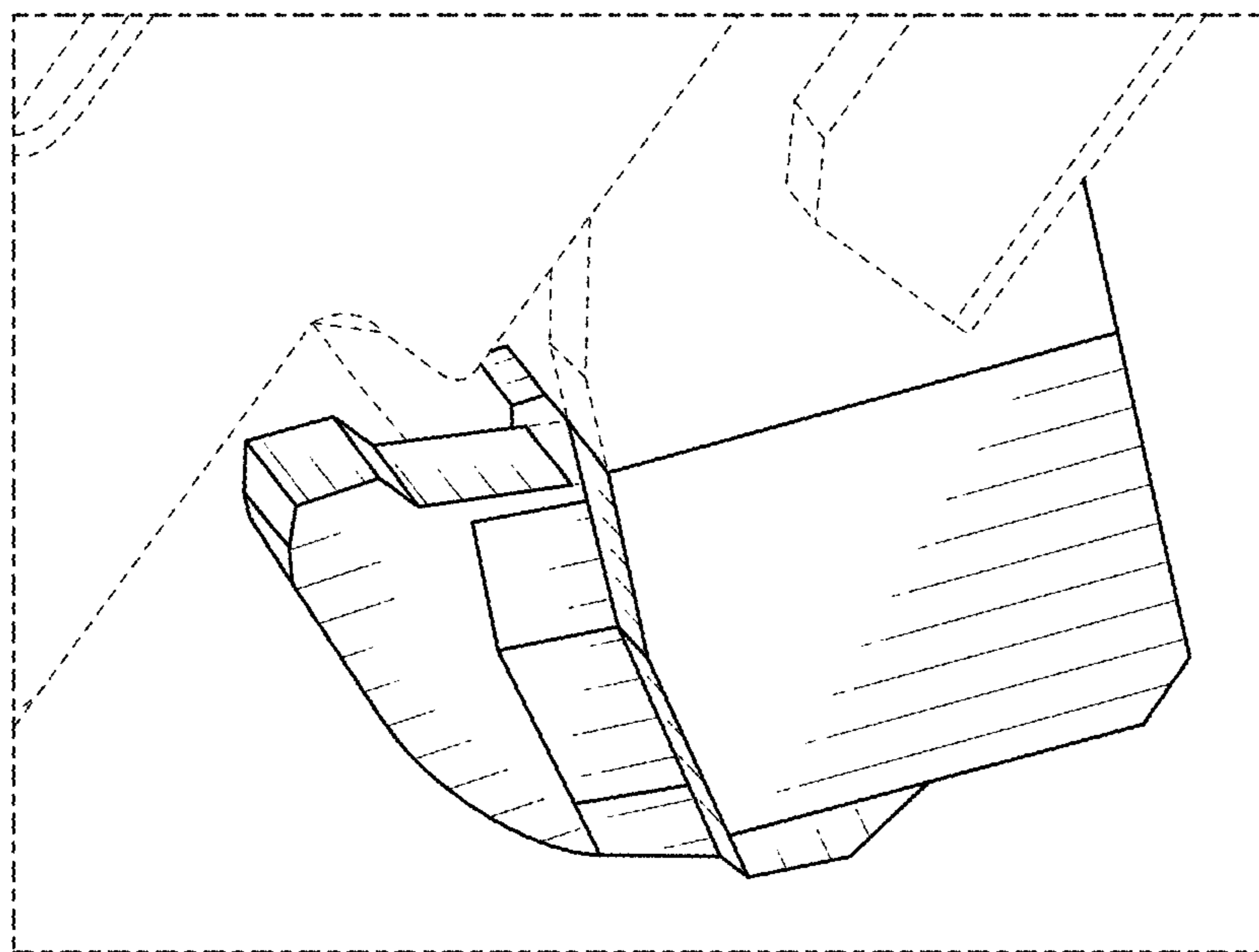


FIG. 19

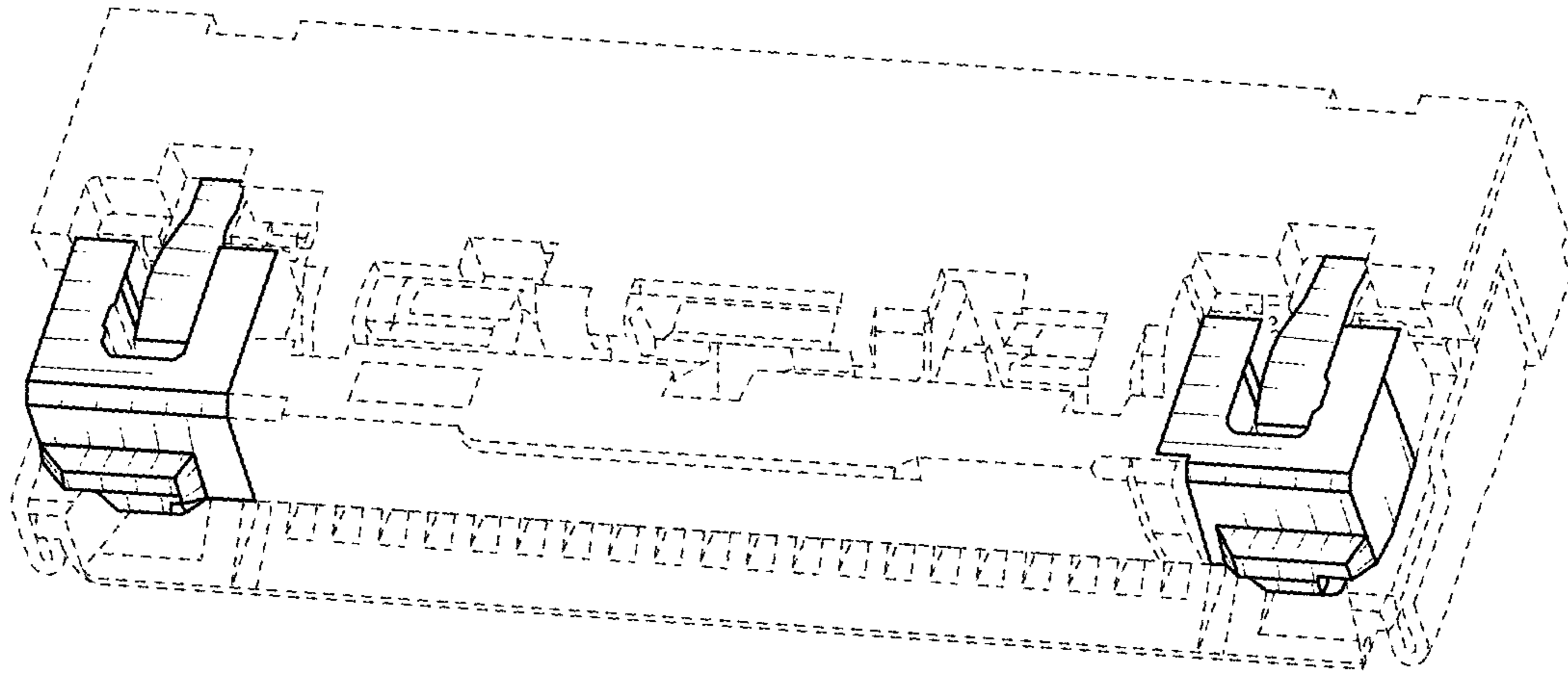


FIG. 20

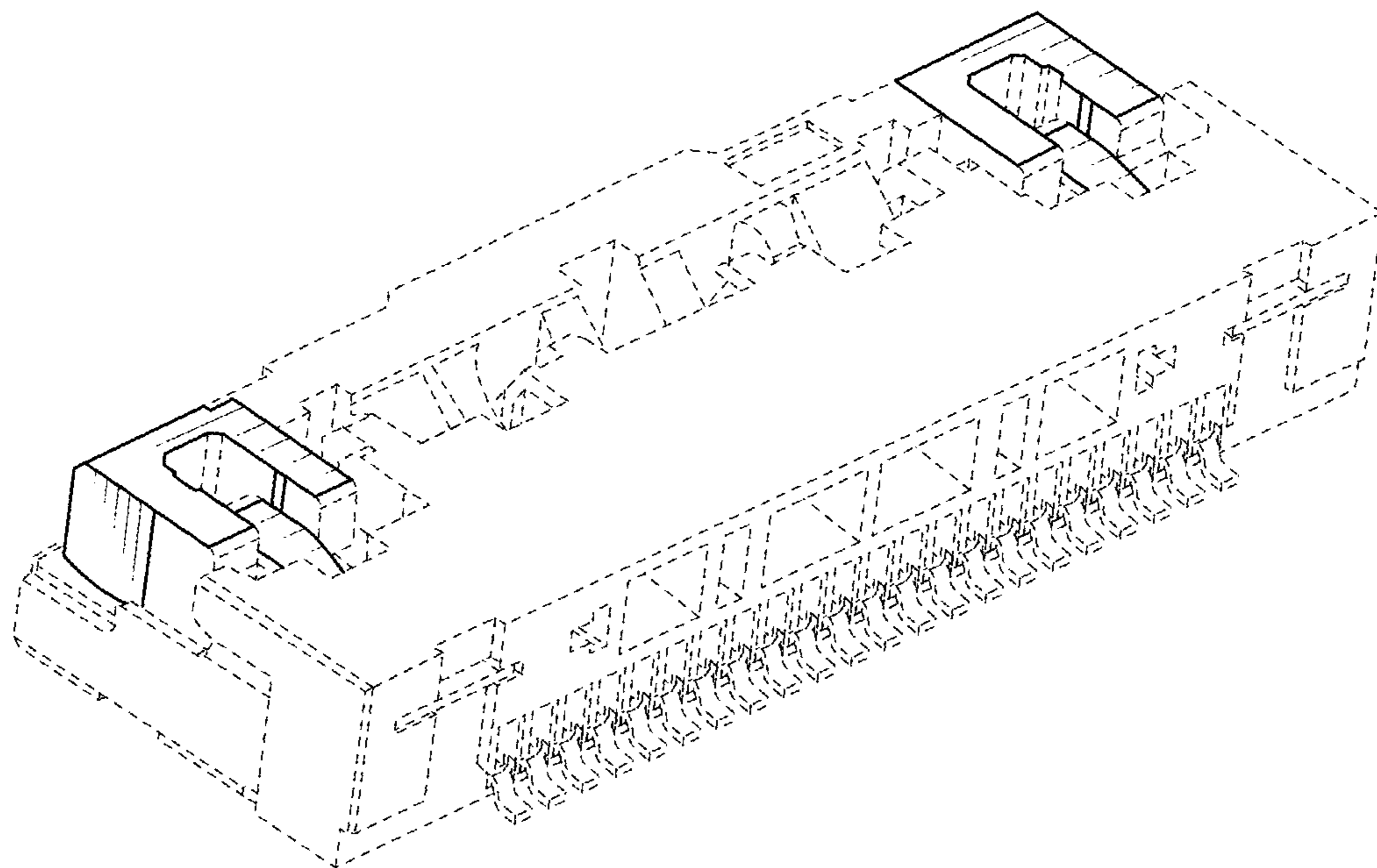


FIG. 21

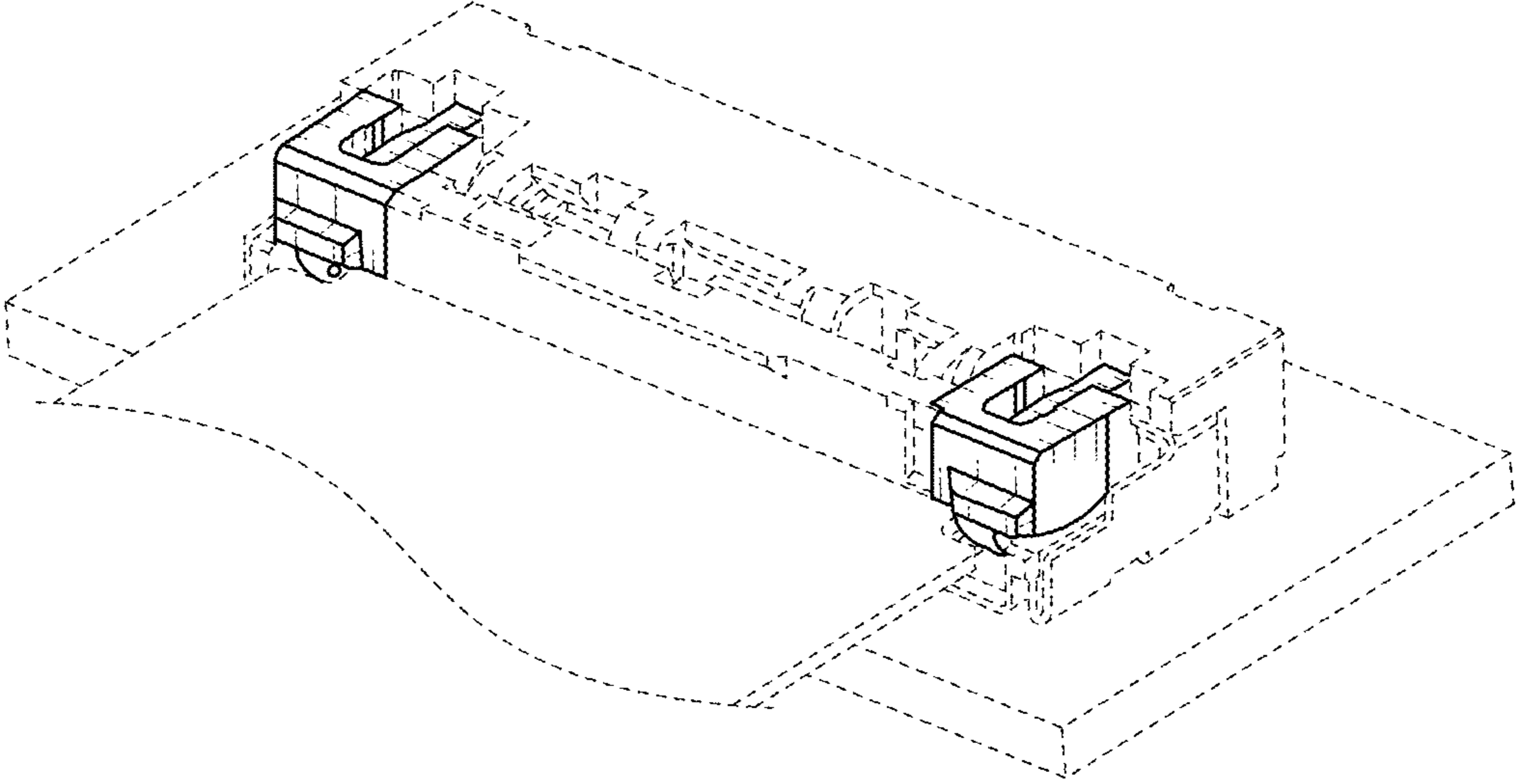


FIG. 22