



US00D941240S

(12) **United States Design Patent**
Gong

(10) **Patent No.:** **US D941,240 S**
(45) **Date of Patent:** **** Jan. 18, 2022**

(54) **POWER BANK**

(71) Applicant: **SHENZHEN MERPOWER ELECTRONIC CO, LTD**, Shenzhen (CN)

(72) Inventor: **Jianliang Gong**, Shenzhen (CN)

(73) Assignee: **SHENZHEN MERPOWER ELECTRONIC CO, LTD**, Shenzhen (CN)

(**) Term: **15 Years**

(21) Appl. No.: **29/740,425**

(22) Filed: **Jul. 3, 2020**

(51) **LOC (13) Cl.** **13-02**

(52) **U.S. Cl.**
USPC **D13/108**

(58) **Field of Classification Search**
USPC D13/103, 107, 108, 110, 118, 119;
D14/432, 433, 434, 439
CPC H02J 7/342; H02J 7/0044; H02J 7/0045
See application file for complete search history.

(56) **References Cited**

U.S. PATENT DOCUMENTS

D637,951 S *	5/2011	Perez	D13/108
D660,834 S *	5/2012	Akana	D14/314
8,465,306 B2 *	6/2013	Ami	H02J 7/0045
				439/140
D697,865 S *	1/2014	Saito	D13/103
D743,886 S *	11/2015	Nomi	D13/108
D760,647 S *	7/2016	Chen	D13/103
D784,258 S *	4/2017	Vienna	D13/108
D831,598 S *	10/2018	Jiang	D14/125
D887,974 S *	6/2020	Chen	D13/108
D922,317 S *	6/2021	Starkey	D13/108

2015/0263553 A1 *	9/2015	Fuller	F16B 2/22
				320/114
2018/0301919 A1 *	10/2018	Rumbaugh	H01M 10/44
2021/0175757 A1 *	6/2021	Bilfeld	H02J 50/10

OTHER PUBLICATIONS

“Wireless Portable Charger”. Found online Nov. 2, 2021 at tradewheel.com. Reference dated Mar. 18, 2021. Retrieved from https://tineye.com/search/9b8b8466bc341faff5b3338a0e05a61da39a9a45?sort=crawl_date&order=asc&page=1. (Year: 2021).*

“Momax Power Adapter”. Found online Nov. 2, 2021 at amazon.ae. Reference dated May 7, 2020. Retrieved from <https://www.amazon.ae/MOMAX-Adapter-Q-Power-Wireless-Certified/dp/B088PVC5QM?th=1>. (Year: 2020).*

“Omni Laptop Power Bank”. Found online Nov. 10, 2021 at amazon.com. Reference dated Jun. 6, 2017. Retrieved from https://www.amazon.com/Omnicharge-AC-Portable-Power-Bank/dp/B072JWN6LC/ref=as_li_ss_tl. (Year: 2017).*

* cited by examiner

Primary Examiner — Kendra Leslie Hamilton

Assistant Examiner — Amanda Christensen

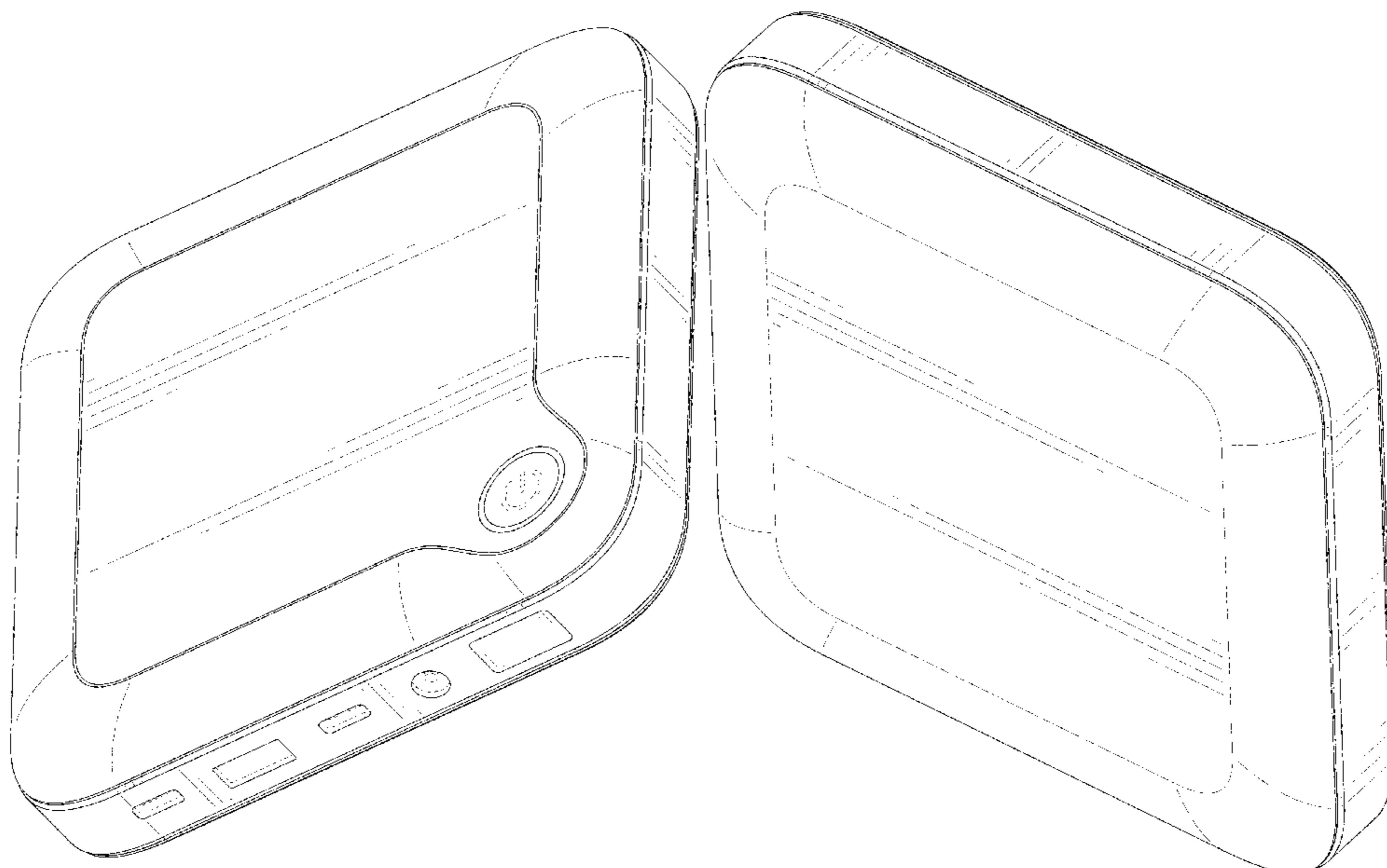
(57) **CLAIM**

The ornamental design for a power bank, as shown and described.

DESCRIPTION

FIG. 1 is a bottom, front, right side perspective view of a power bank, showing my new design;
FIG. 2 is a top, rear, left side perspective view thereof;
FIG. 3 is a front elevational view thereof;
FIG. 4 is a rear elevational view thereof;
FIG. 5 is a left side elevational view thereof;
FIG. 6 is a right side elevational view thereof;
FIG. 7 is a top plan view thereof; and,
FIG. 8 is a bottom plan view thereof.
The broken lines in the drawings depict portions of the power bank that form no part of the claimed design.

1 Claim, 8 Drawing Sheets



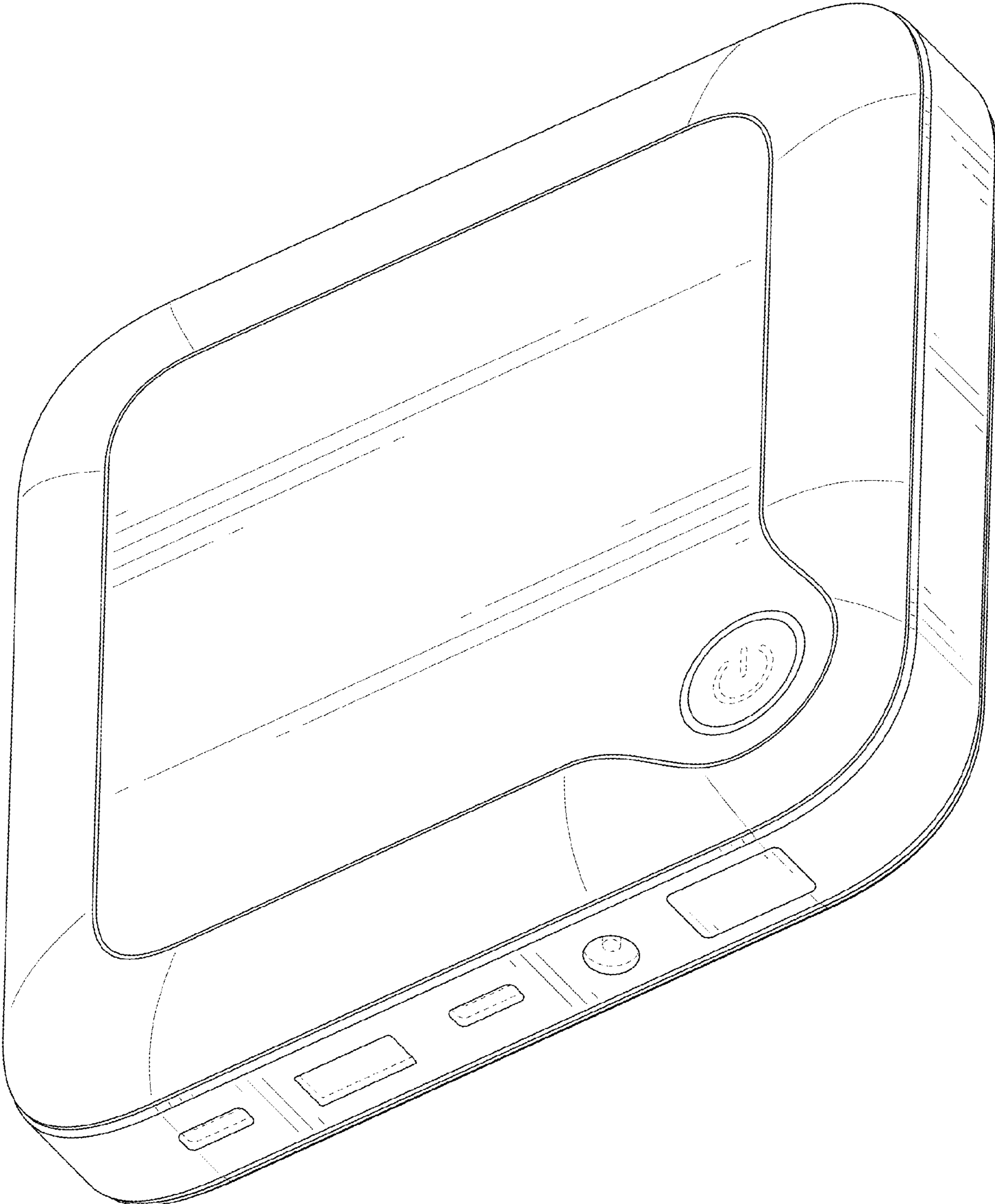


FIG. 1

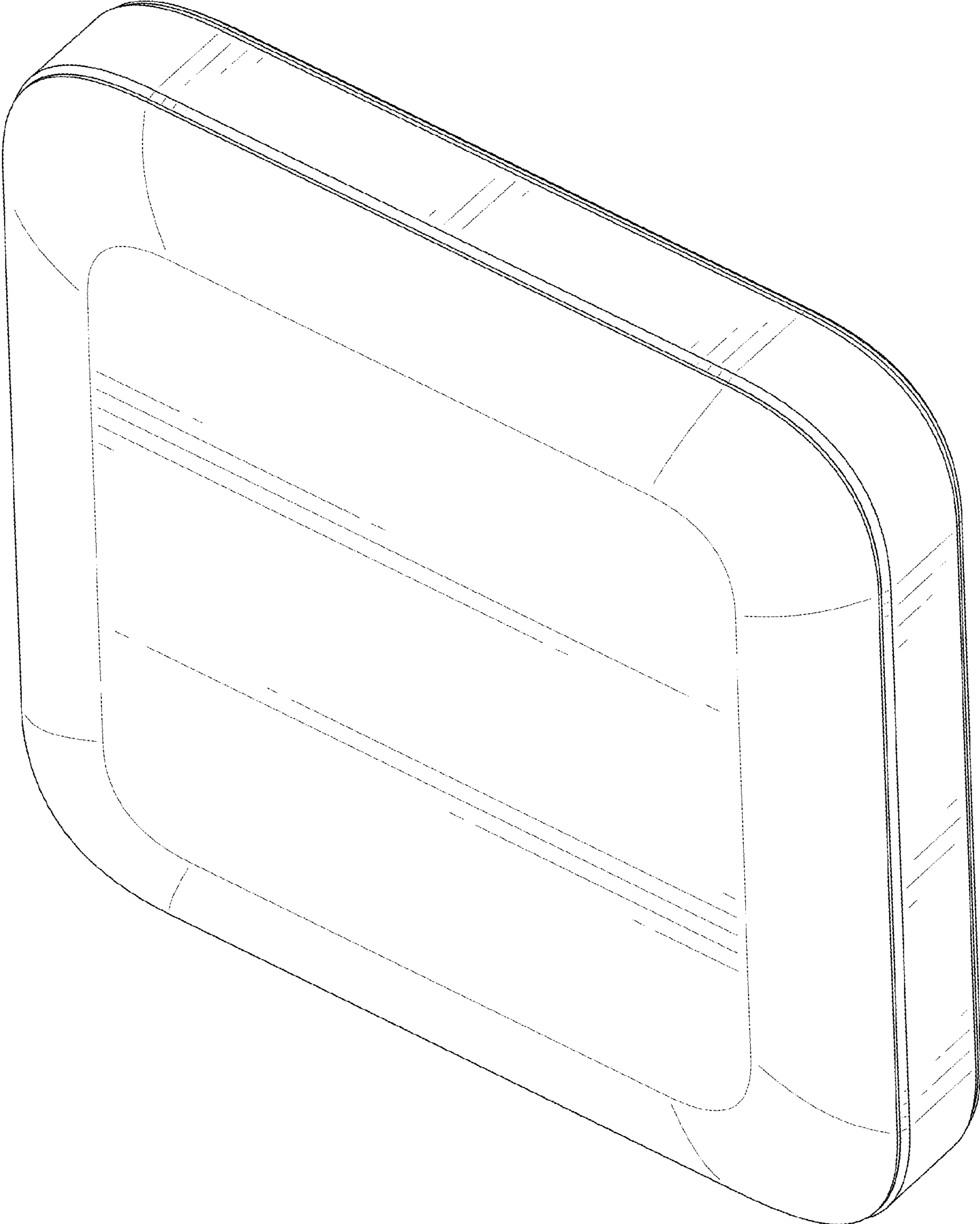


FIG. 2

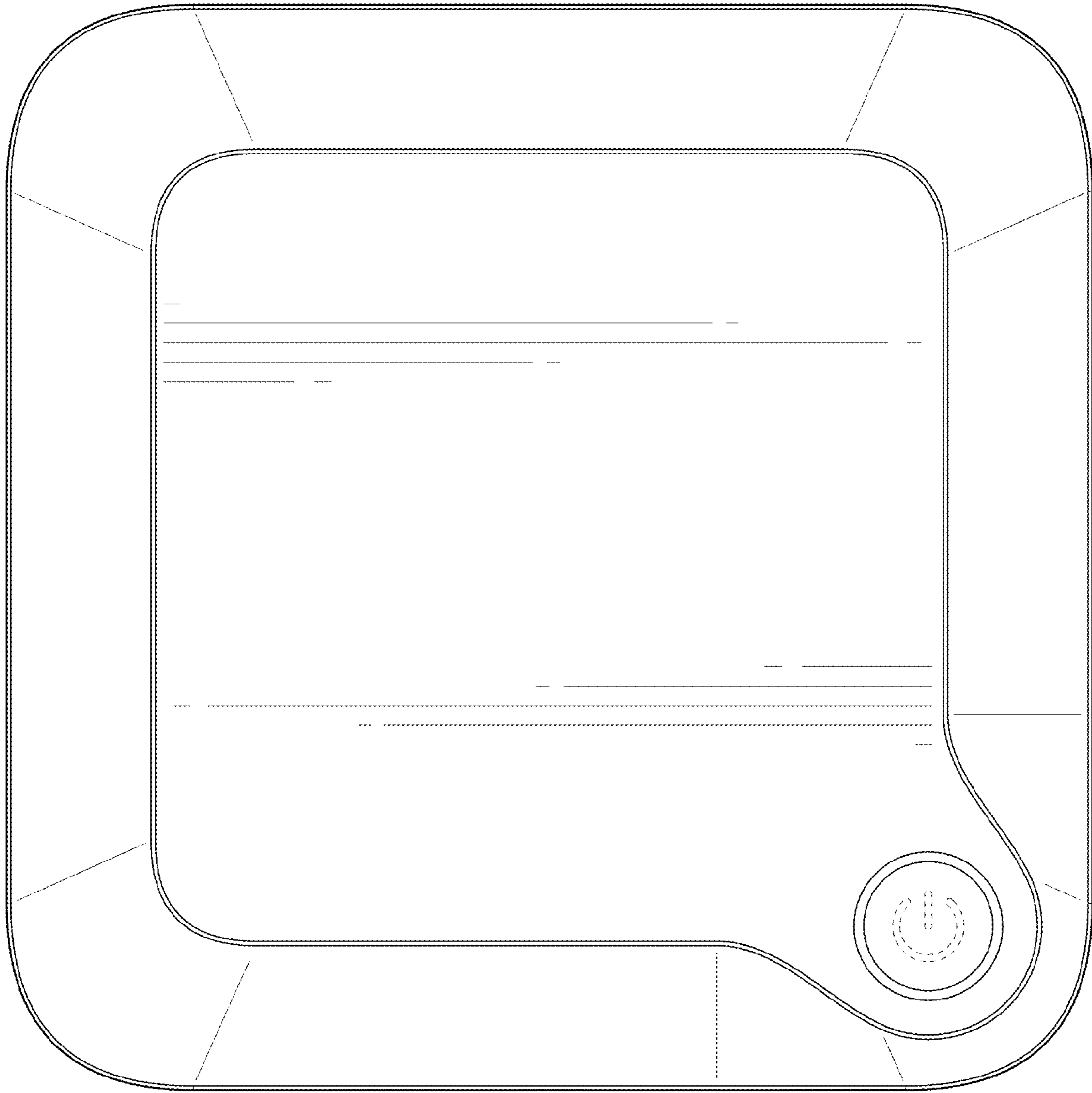


FIG. 3

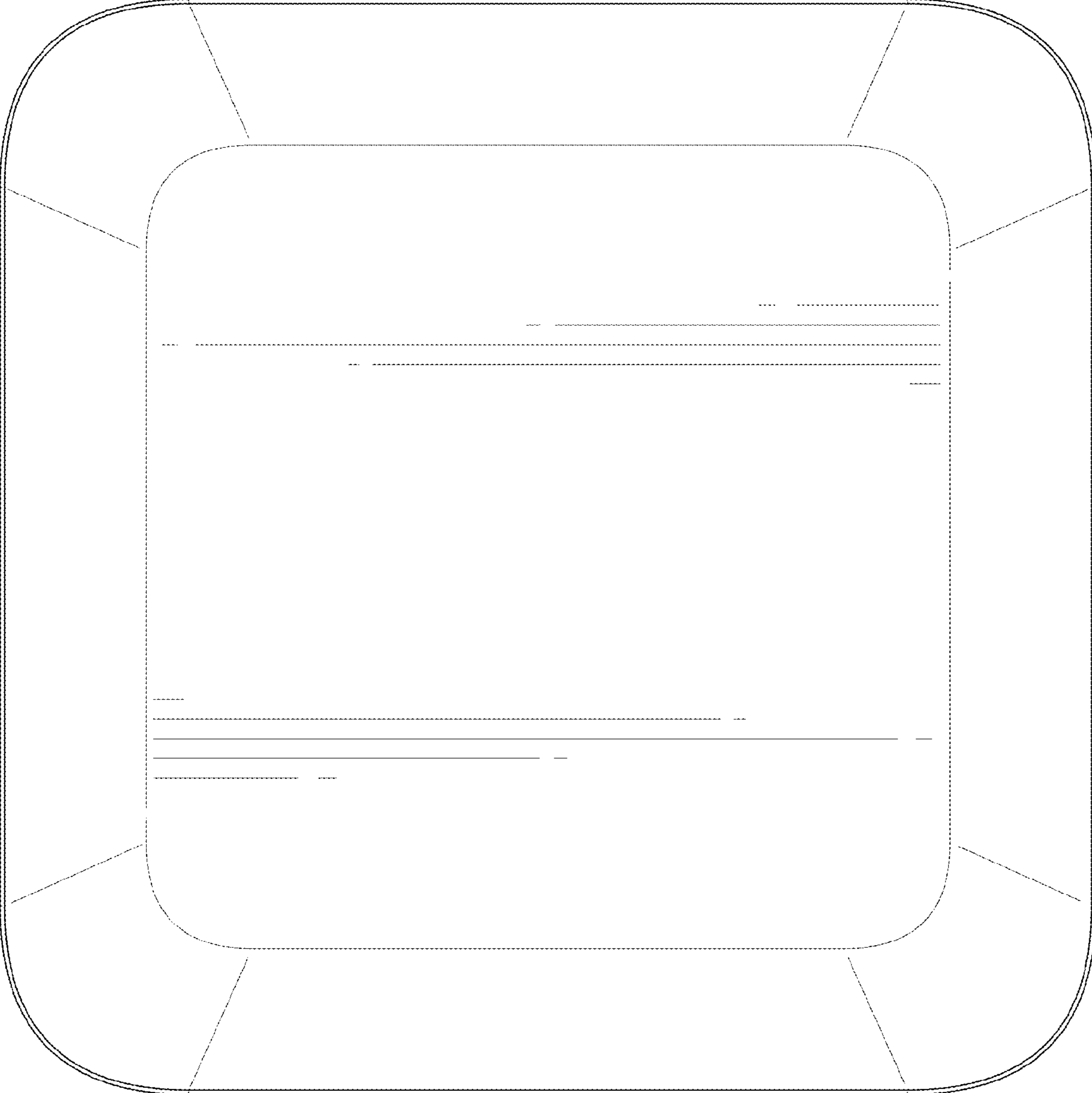


FIG. 4

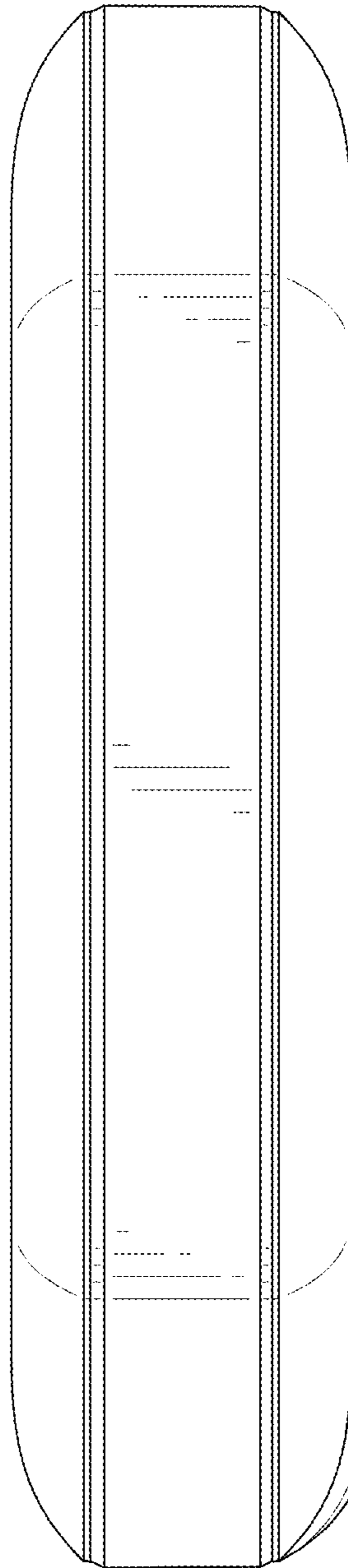


FIG. 5

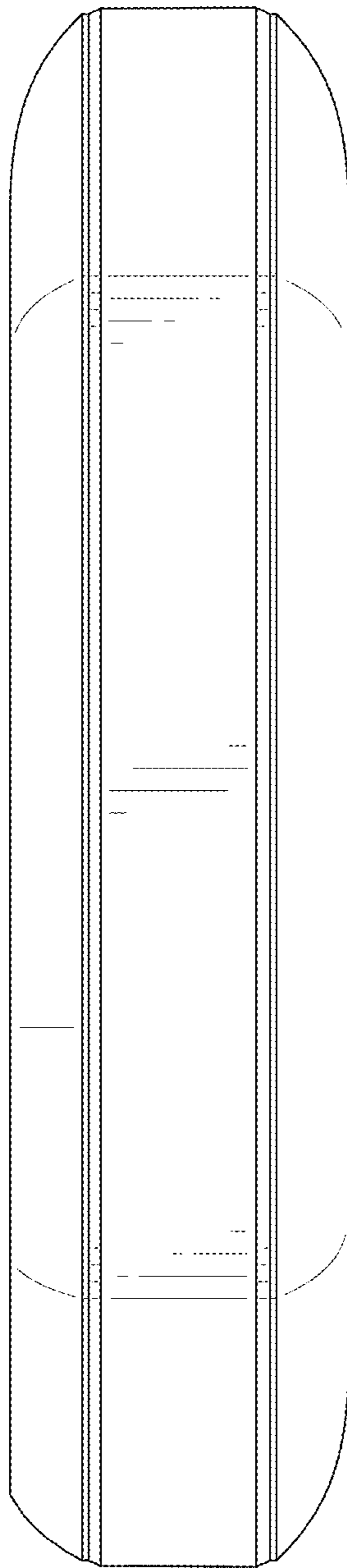


FIG. 6

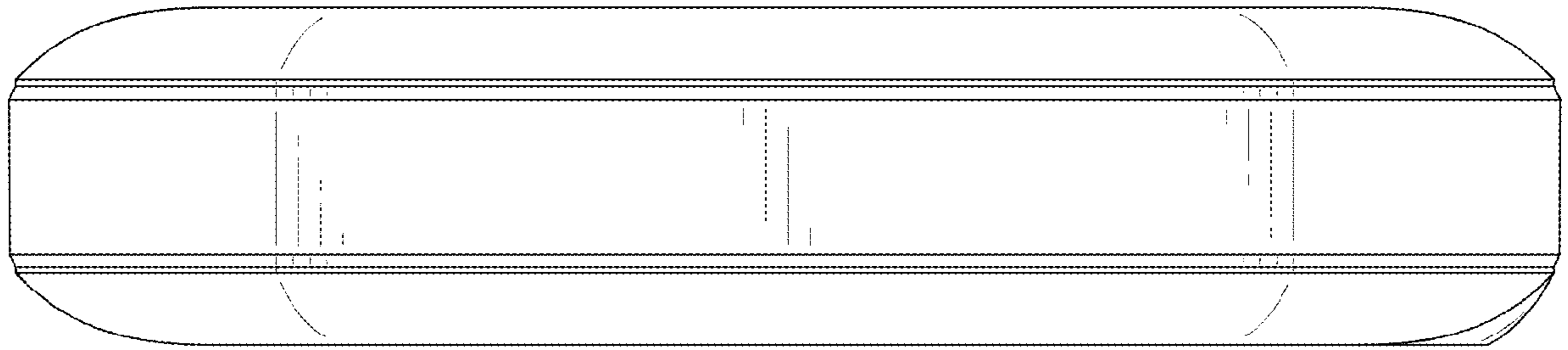


FIG. 7

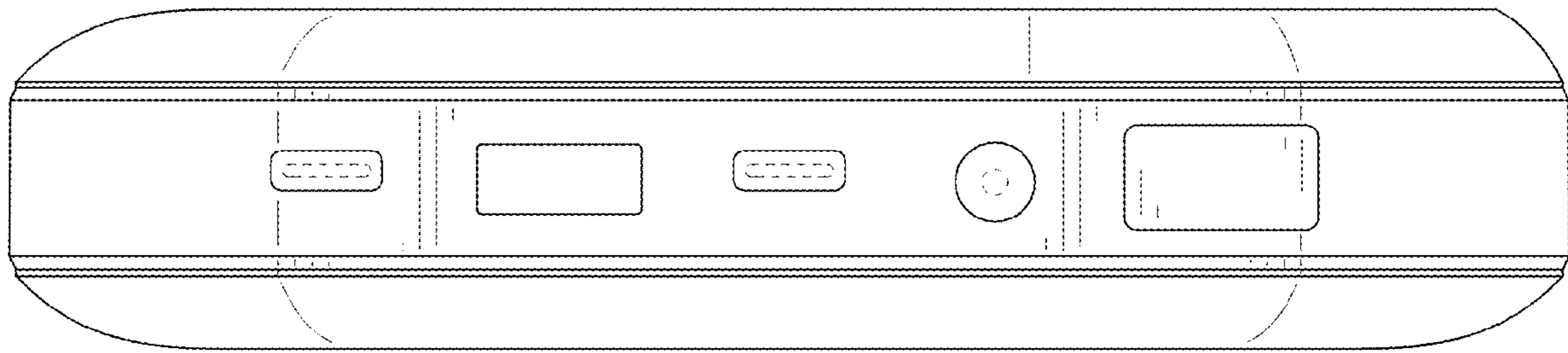


FIG. 8