



US00D941236S

(12) **United States Design Patent** (10) **Patent No.:** **US D941,236 S**
Dunn et al. (45) **Date of Patent:** **** Jan. 18, 2022**

- (54) **CANOPY WITH SOLAR POWERED ELECTRONIC MENU BOARD**
- (71) Applicant: **Manufacturing Resources International, Inc.**, Alpharetta, GA (US)
- (72) Inventors: **William Dunn**, Alpharetta, GA (US); **Gerald Fraschilla**, Snellville, GA (US)
- (73) Assignee: **Manufacturing Resources International, Inc.**, Alpharetta, GA (US)
- (**) Term: **15 Years**
- (21) Appl. No.: **29/804,585**
- (22) Filed: **Aug. 20, 2021**

Related U.S. Application Data

- (62) Division of application No. 29/711,255, filed on Oct. 29, 2019, now Pat. No. Des. 934,159.
- (51) **LOC (13) Cl.** **13-02**
- (52) **U.S. Cl.**
USPC **D13/102**
- (58) **Field of Classification Search**
USPC D13/102, 101, 103, 110, 118, 133, 182, D13/184, 199; D26/63, 67, 68, 71
CPC Y02E 10/40; Y02E 10/44; Y02E 10/50; Y02E 10/52; Y02E 10/542; Y02E 10/544; E04H 4/08; F24J 2/38; F24J 2/0472; F24J 2/542; H01L 31/00; H01L 31/042; H01L 31/045; H01L 31/048; H01L 31/049; H01L 31/052; H01L 31/184; H01L 31/0232; H01L 31/0508; H01L 31/0512; H01L 31/0543; H01L 31/02013; H01L 31/1876; H01L 51/0061; H02S 40/34
See application file for complete search history.

(56) **References Cited**
U.S. PATENT DOCUMENTS

- D222,989 S 2/1972 Cohen
 - 4,534,496 A 8/1985 Bott
 - D311,722 S 10/1990 Cheng
 - 5,306,156 A 4/1994 Gibbs et al.
- (Continued)

FOREIGN PATENT DOCUMENTS

- CN 106782121 A 5/2017
 - CN 109961695 A 7/2019
- (Continued)

OTHER PUBLICATIONS

CIVIQ Smartscares, There are companies that make kiosks. And then there's CIVIQ.—Advanced Smart City Platform, webpage, Jan. 30, 2019, 10 pages.

(Continued)

Primary Examiner — Derrick E Holland
(74) *Attorney, Agent, or Firm* — Standley Law Group LLP; Jeffrey S. Standley; Adam J. Smith

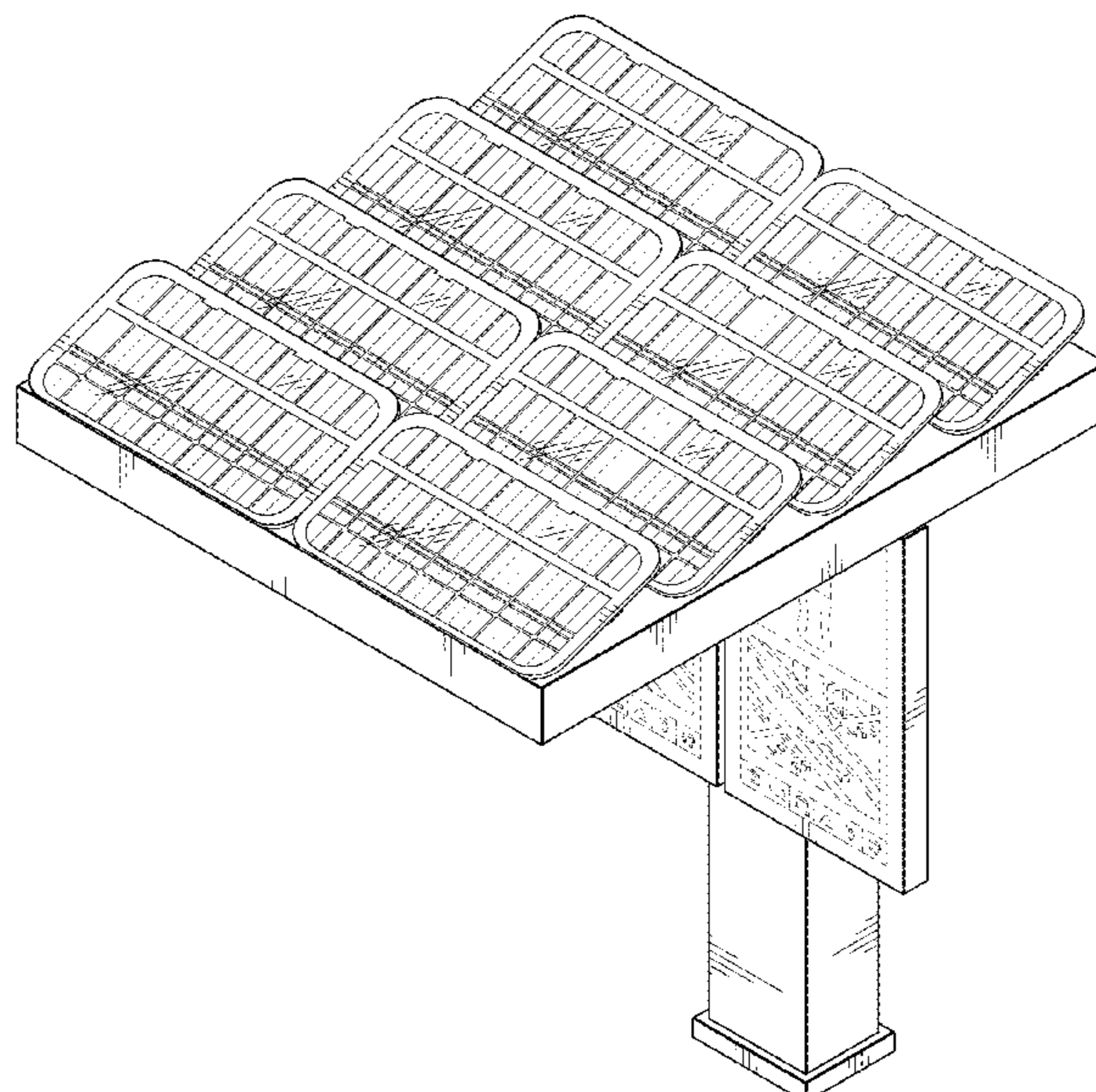
(57) **CLAIM**

The ornamental design for a canopy with solar powered electronic menu board, as shown and described.

DESCRIPTION

FIG. 1 is a front perspective view of a canopy with solar powered electronic menu board;
FIG. 2 is a front elevation view thereof;
FIG. 3 is a rear elevation view thereof;
FIG. 4 is a right side elevation view thereof;
FIG. 5 is a left side elevation view thereof;
FIG. 6 is a top view thereof; and,
FIG. 7 is a bottom view thereof.
The broken lines shown represent environmental subject matter and form no part of the claimed design.

1 Claim, 7 Drawing Sheets



(56)

References Cited

U.S. PATENT DOCUMENTS

D357,944 S 5/1995 Atwell et al.
 D403,434 S 12/1998 Sander
 D408,554 S * 4/1999 Dinwoodie D25/56
 D410,751 S 6/1999 Meier
 D453,194 S 1/2002 Gentelia et al.
 D455,789 S 4/2002 Schlueter
 D479,859 S 9/2003 Strunk et al.
 D483,074 S 12/2003 Strunk et al.
 D486,188 S 2/2004 Norcross et al.
 D500,143 S 12/2004 Moncho et al.
 D514,913 S 2/2006 Dunn et al.
 D530,432 S 10/2006 Gottesdiener
 D535,034 S 1/2007 Gottesdiener
 D560,668 S 1/2008 Pritchard et al.
 D585,943 S 2/2009 Pymm et al.
 D593,213 S 5/2009 Grimshaw et al.
 D595,645 S 7/2009 Beghelli
 D603,973 S 11/2009 Jackson et al.
 D639,800 S 6/2011 Magruder
 D646,269 S 10/2011 Crick, Jr. et al.
 D653,662 S 2/2012 Park et al.
 D654,116 S 2/2012 McDougall et al.
 D659,259 S 5/2012 Duddy
 D662,040 S 6/2012 Yang et al.
 D665,029 S 8/2012 Krapf et al.
 D696,658 S 12/2013 Winston et al.
 D710,298 S 8/2014 Jie et al.
 8,895,836 B2 11/2014 Amin et al.
 9,121,391 B1 9/2015 Koehler, III
 D740,966 S 10/2015 Indio da Costa et al.
 D747,816 S 1/2016 Indio da Costa et al.
 D752,529 S 3/2016 Loretan et al.
 D754,256 S 4/2016 Maman et al.
 D775,622 S 1/2017 Fu et al.
 D777,695 S 1/2017 Odryna et al.
 D786,453 S 5/2017 Indio da Costa et al.
 D786,454 S 5/2017 Indio da Costa et al.
 D791,069 S * 7/2017 Mota D13/102
 D795,453 S 8/2017 Indio da Costa et al.
 D797,658 S 9/2017 Feller et al.
 D804,054 S 11/2017 Indio da Costa et al.
 D806,895 S 1/2018 Terashima et al.
 D807,840 S 1/2018 Lee et al.
 D816,624 S 5/2018 Odryna et al.
 D817,288 S 5/2018 Won et al.
 D820,798 S 6/2018 Yurusov
 9,994,160 B2 6/2018 Kim et al.
 D831,599 S 10/2018 Chong et al.
 D835,926 S 12/2018 Abatemarco, Jr.
 D839,352 S 1/2019 Lim et al.
 10,278,311 B2 4/2019 DeMars
 10,290,423 B2 5/2019 Lanham
 D856,530 S 8/2019 Oskoui
 D861,623 S 10/2019 Odryna et al.
 D879,202 S 3/2020 Hornsby et al.
 D883,278 S 5/2020 Yepez et al.
 D885,382 S 5/2020 Kim et al.
 10,757,844 B2 8/2020 Dunn et al.
 10,820,445 B2 10/2020 Diaz
 10,827,657 B2 11/2020 Lee
 10,831,050 B2 11/2020 Dunn et al.
 D913,276 S 3/2021 Dunn
 D913,277 S 3/2021 Dunn
 D913,278 S 3/2021 Dunn
 D916,189 S 4/2021 Dunn
 D916,190 S 4/2021 Dunn
 D916,319 S 4/2021 Dunn
 D916,971 S 4/2021 Dunn

D916,972 S 4/2021 Dunn
 D916,973 S 4/2021 Dunn
 D916,974 S 4/2021 Dunn
 D916,975 S 4/2021 Dunn
 D916,976 S 4/2021 Dunn
 D916,977 S 4/2021 Dunn
 2003/0119448 A1 6/2003 Arntz
 2008/0298051 A1 * 12/2008 Chu F21S 9/037
 362/183
 2009/0183405 A1 * 7/2009 Wilkes G09F 13/005
 40/543
 2010/0079979 A1 4/2010 Nakamichi et al.
 2011/0075363 A1 3/2011 Nakamichi et al.
 2011/0298841 A1 12/2011 Fujimori
 2012/0002357 A1 1/2012 Auld et al.
 2012/0224116 A1 9/2012 Barnes
 2015/0194561 A1 * 7/2015 Toya H01L 31/0543
 250/208.1
 2015/0381922 A1 12/2015 Hamilton
 2016/0041423 A1 2/2016 Dunn
 2018/0293921 A1 10/2018 Margrill
 2018/0317330 A1 11/2018 Dunn et al.
 2018/0345809 A1 12/2018 Derrien et al.
 2021/0066923 A1 3/2021 Dunn et al.

FOREIGN PATENT DOCUMENTS

EM 008035232-0001 7/2020
 EP 3040766 A1 7/2016
 KR 300422537.0000 8/2006
 KR 10-1444022 B1 10/2014
 WO 2016/102980 A1 6/2016
 WO D098725-001 12/2017
 WO 2021/041381 A1 3/2021

OTHER PUBLICATIONS

CIVIQ Smartscapes, Connecting people, places & experiences, webpage, Jan. 30, 2019, 5 pages.
 CIVIQ Smartscapes, Connecting people, places & experiences, screen shot of devices webpage, Jan. 30, 2019, 1 page.
 Melford Technologies, Part 1, video online at <https://m.youtube.com/watch?v=OAV7zzVrHtE&feature=youtu.be>, Oct. 21, 2019, 1 page.
 Manufacturing Resources International, Manufacturing Resources International home webpage, Nov. 4, 2019, 2 pages.
 Manufacturing Resources International, LCD Display Deployments webpage, Nov. 2019, 3 pages.
 Manufacturing Resources International, BoldVu Outdoor LCD Display webpage, Nov. 4, 2019, 2 pages.
 Manufacturing Resources International, BoldVu Semi Outdoor LCD Display webpage, Nov. 8, 2019, 2 pages.
 Manufacturing Resources International, BoldVu Vehicle Top LCD Display webpage, Nov. 8, 2019, 2 pages.
 Manufacturing Resources International, Drivethru Menu Boards Webpage, Nov. 8, 2019, 2 pages.
 Manufacturing Resources International, Storefront Digital Signage webpage, Nov. 8, 2019, 2 pages.
 Vertigo Digital Displays, Innovation on Display FlexVu Totem Brochure, 2014, 6 pages.
 Vertigo Digital Displays, FlexVu Totem Shelter, 2017, 2 pages.
 Vertigo Digital Displays, All Products Catalogue, 2017, 14 pages.
 CIVIQ Smartscapes, FlexVue Ferro 55P/55L, Mar. 16, 2017, 4 pages.
 Gable, Blog Post: The Anatomy of an Interactive Kiosk, Aug. 15, 2018, 4 pages.

* cited by examiner

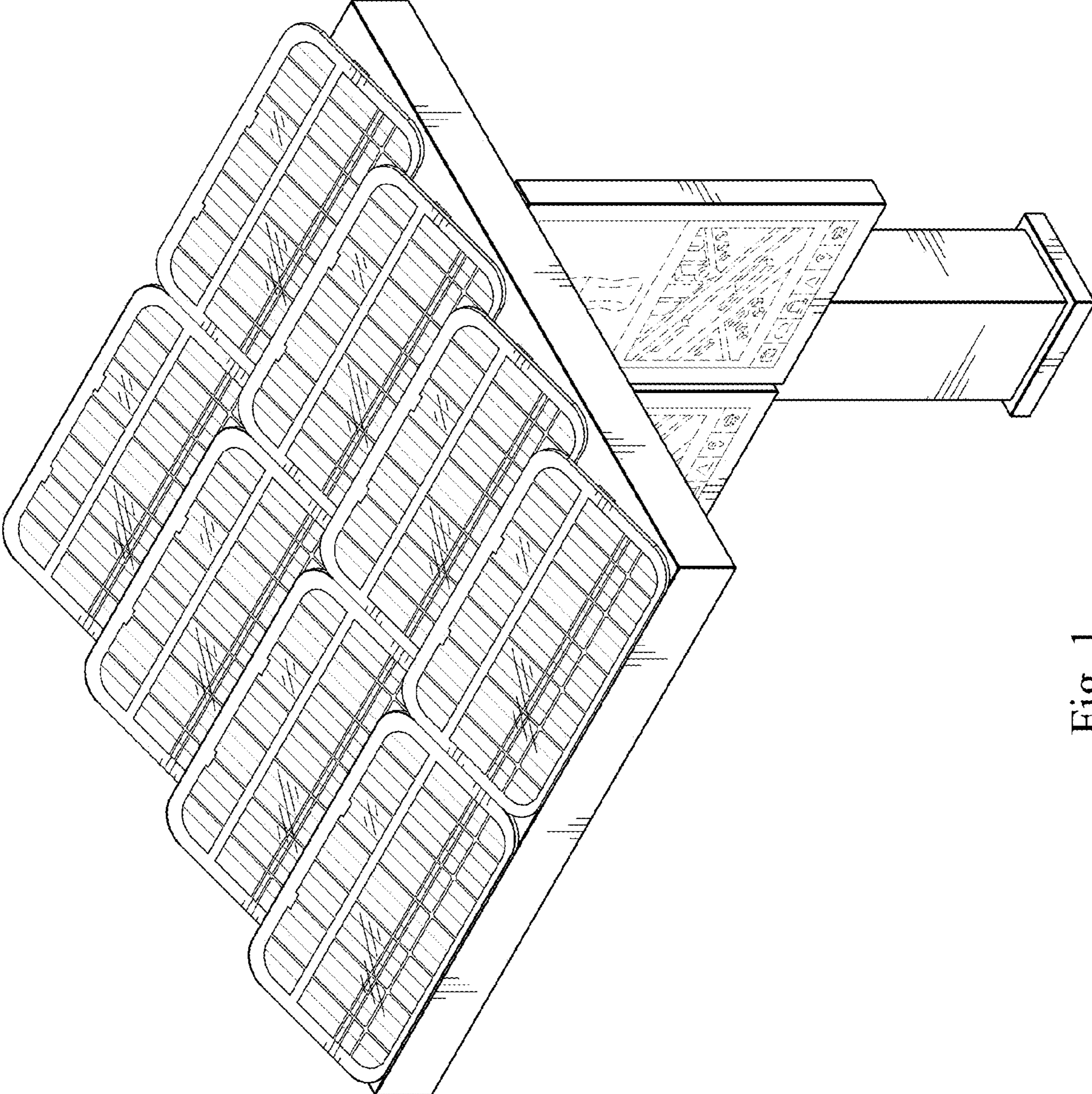


Fig. 1

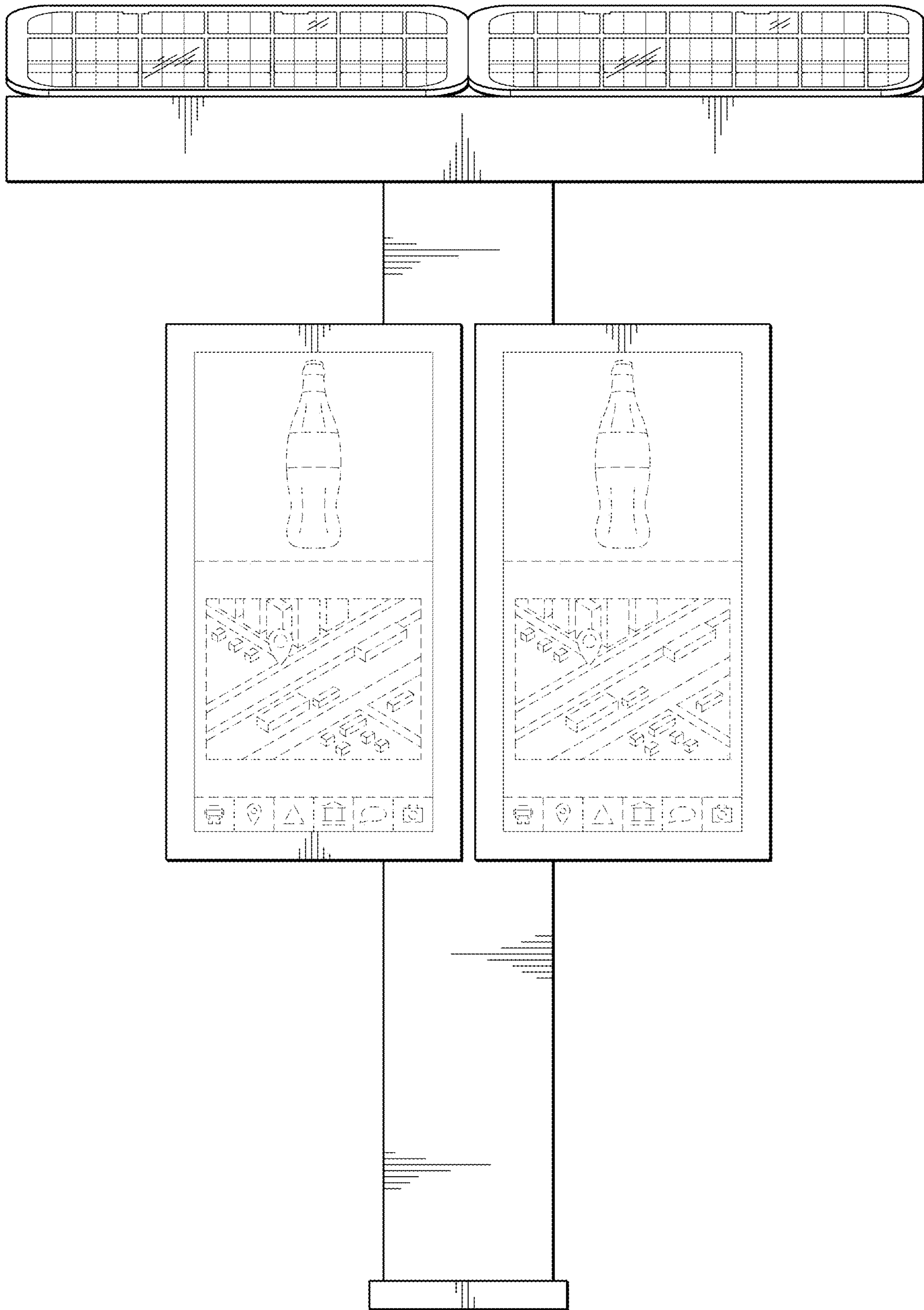


Fig. 2

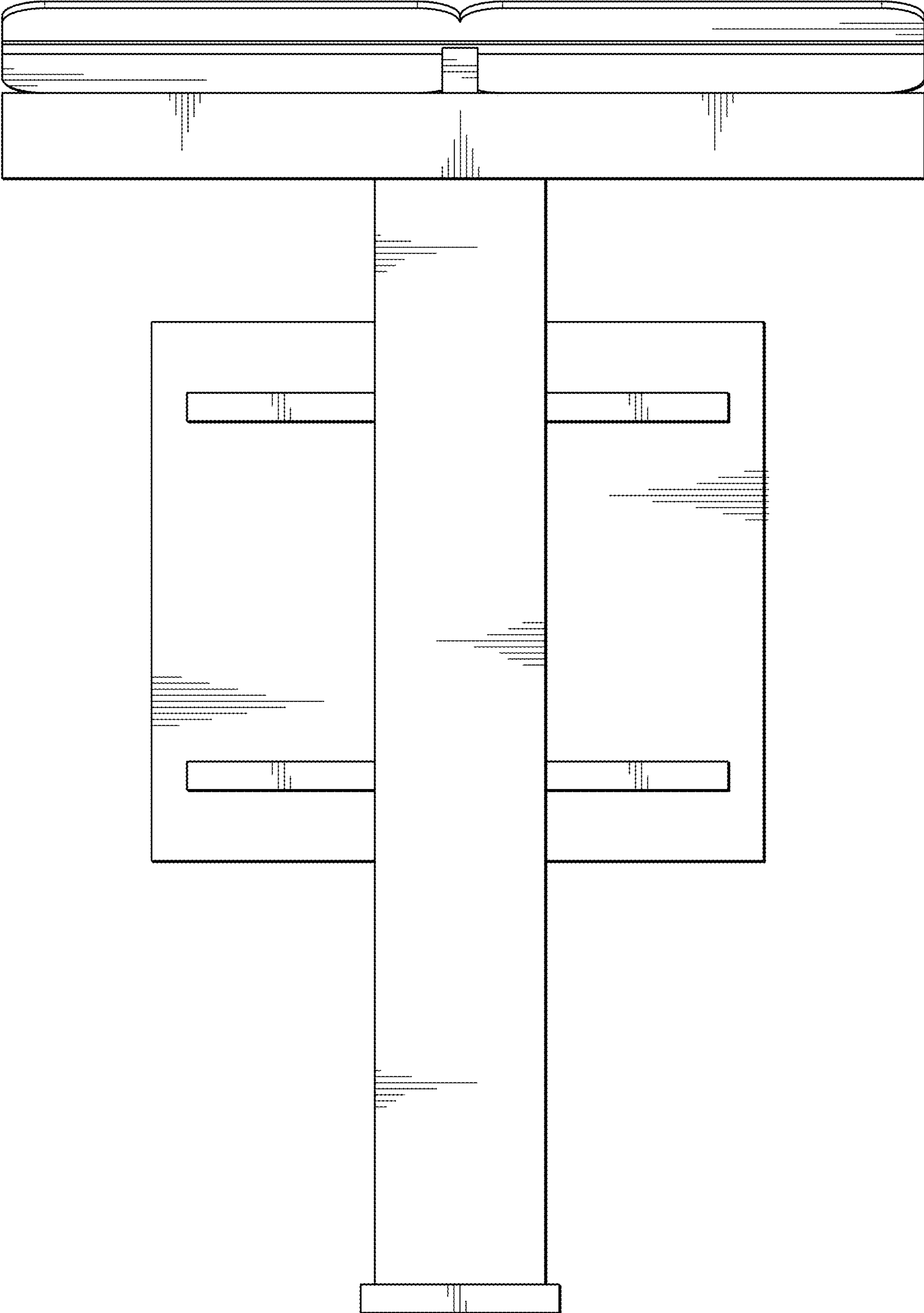


Fig. 3

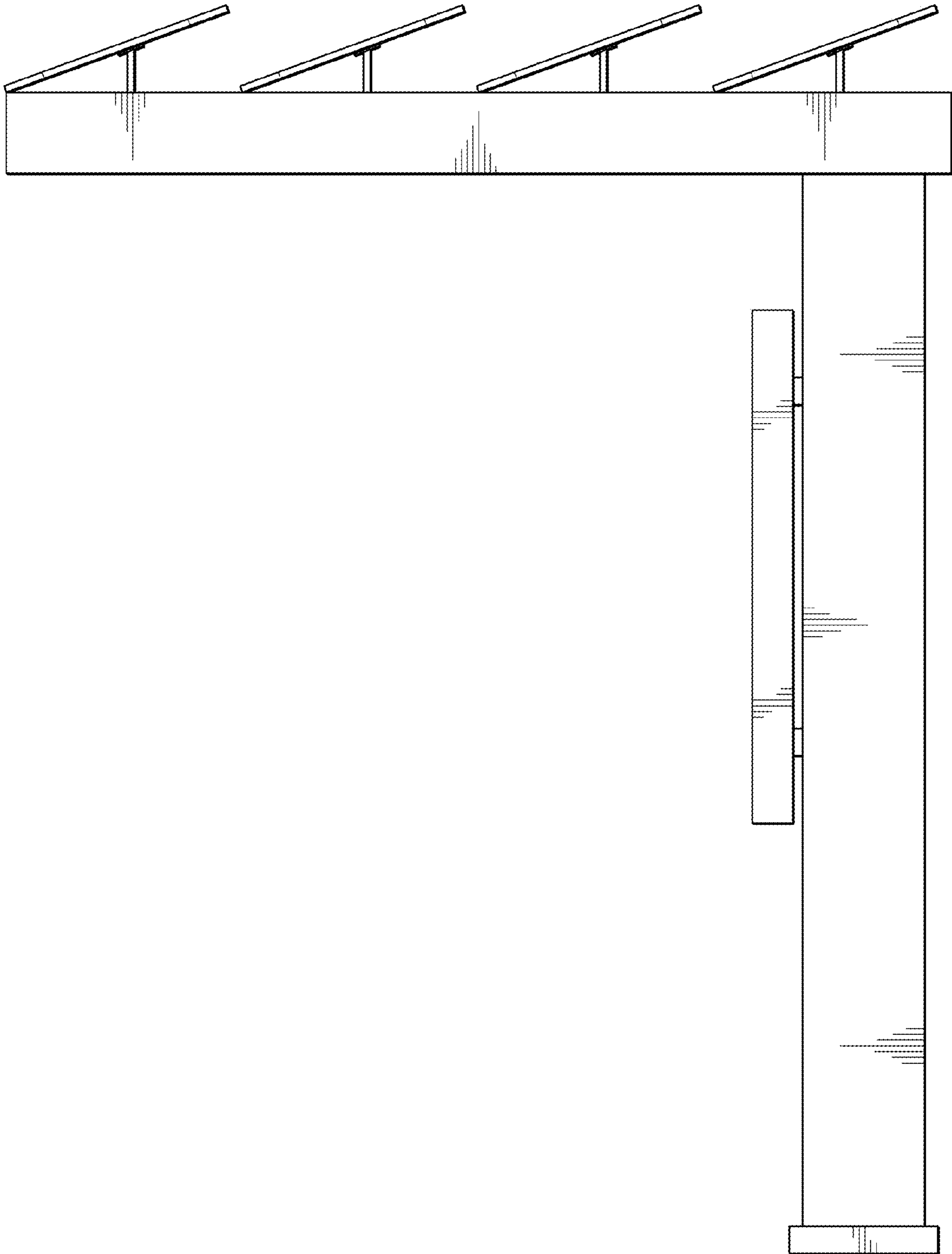


Fig. 4

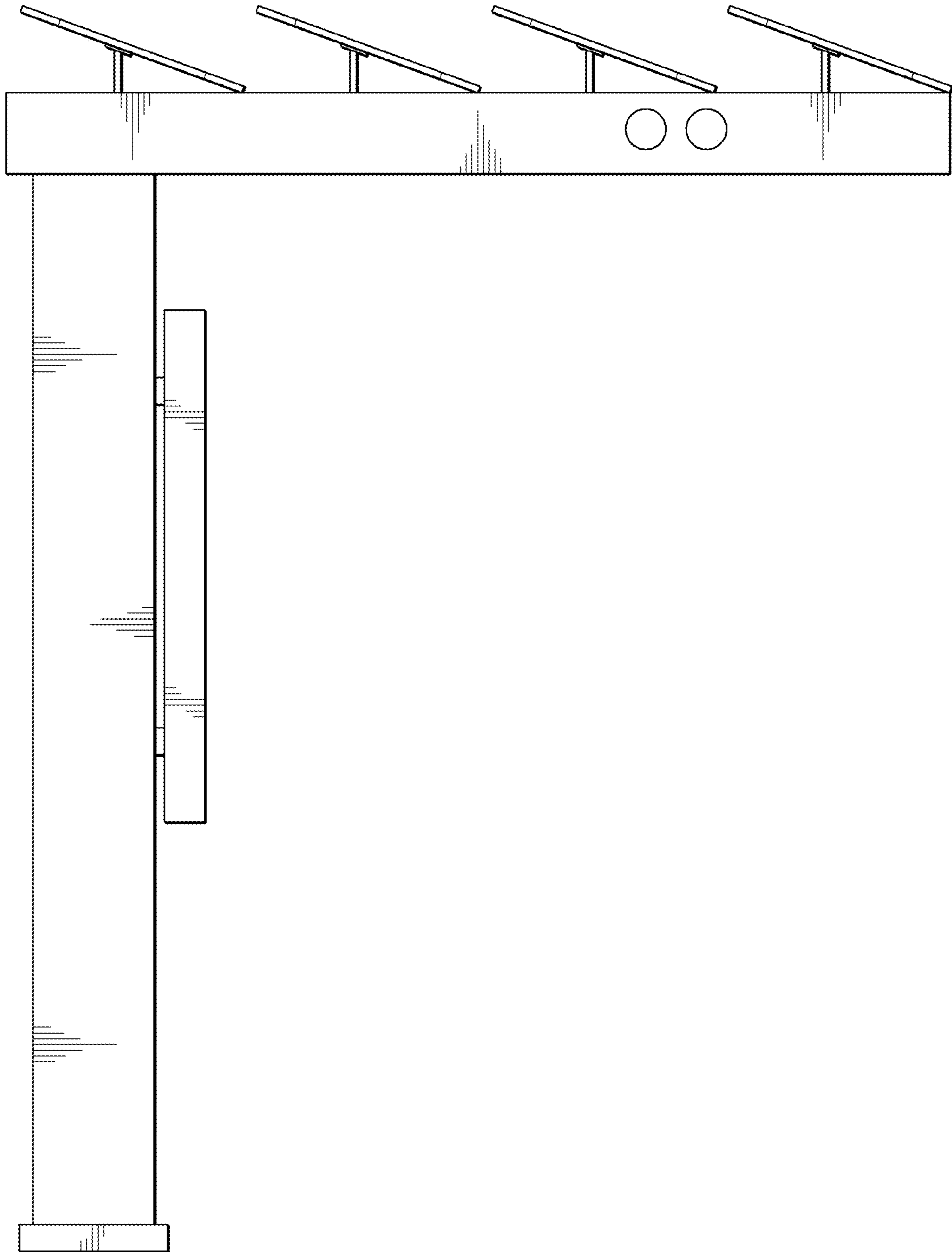


Fig. 5

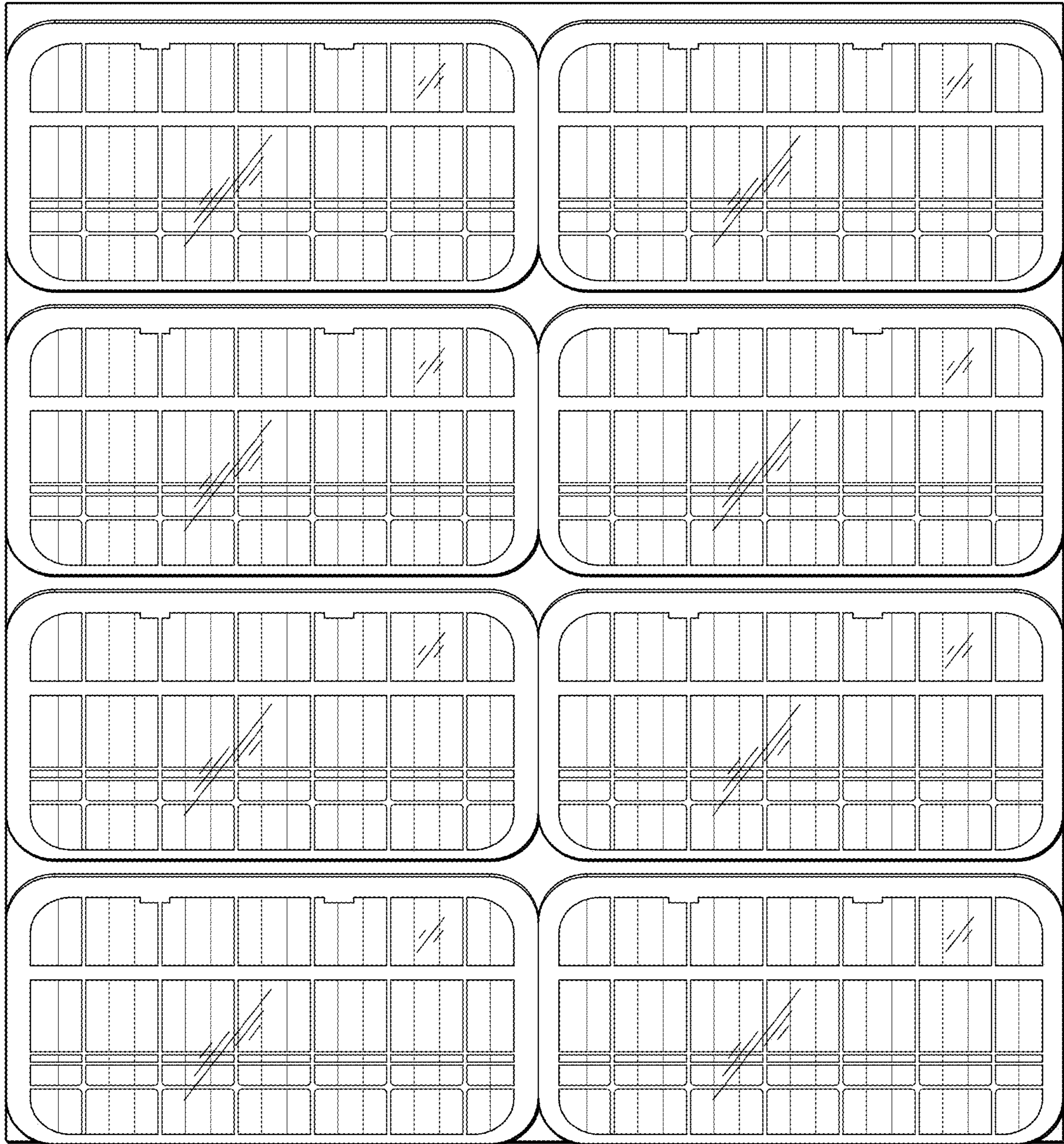


Fig. 6

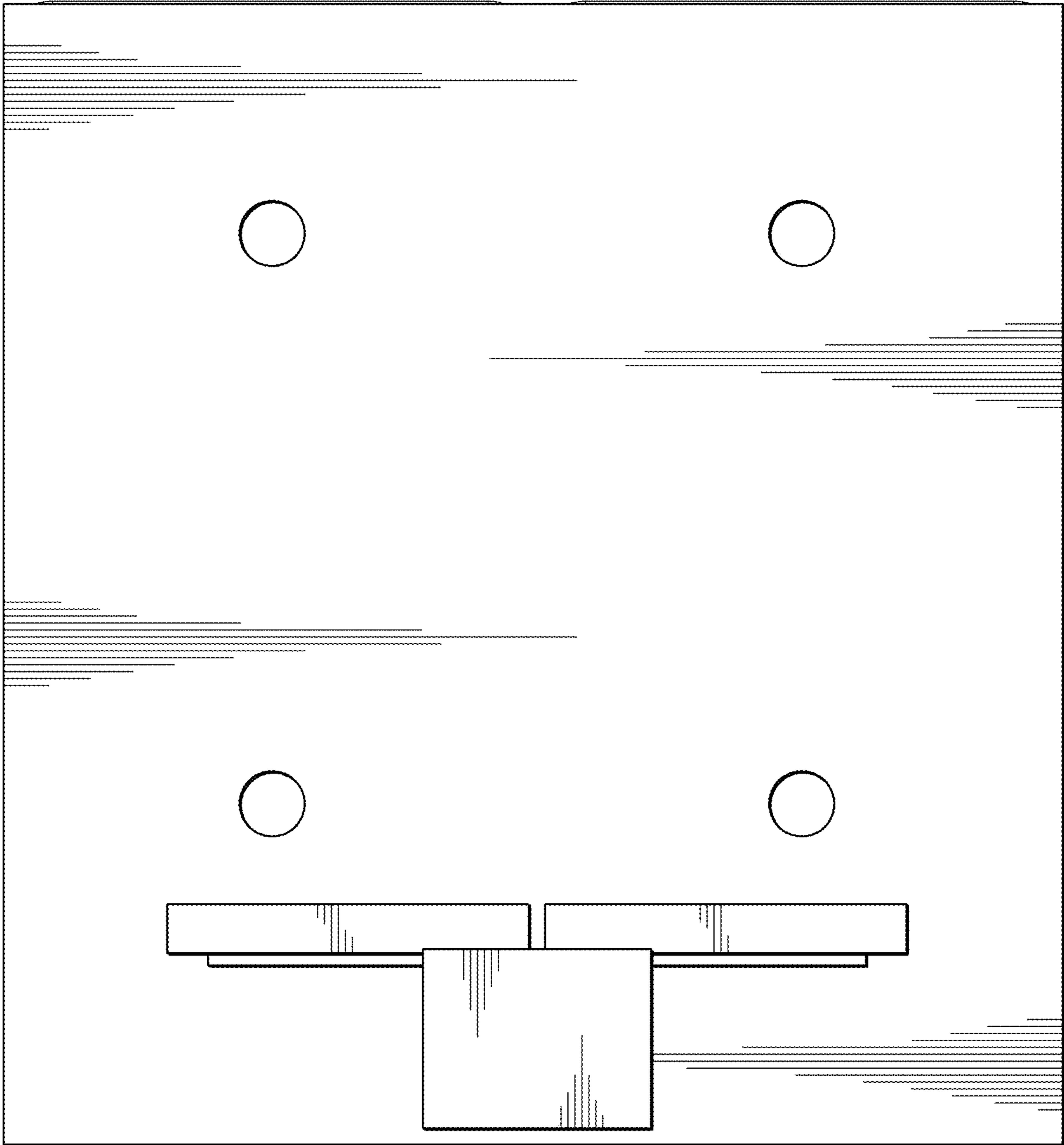


Fig. 7