



US00D941235S

(12) **United States Design Patent** (10) **Patent No.:** **US D941,235 S**
Dunn et al. (45) **Date of Patent:** **** Jan. 18, 2022**

(54) **CANOPY WITH SOLAR POWERED ELECTRONIC MENU BOARD**

(71) Applicant: **Manufacturing Resources International, Inc.**, Alpharetta, GA (US)

(72) Inventors: **William Dunn**, Alpharetta, GA (US); **Gerald Fraschilla**, Snellville, GA (US)

(73) Assignee: **Manufacturing Resources International, Inc.**, Alpharetta, GA (US)

(**) Term: **15 Years**

(21) Appl. No.: **29/804,569**

(22) Filed: **Aug. 20, 2021**

Related U.S. Application Data

(62) Division of application No. 29/711,255, filed on Oct. 29, 2019, now Pat. No. Des. 934,159.

(51) **LOC (13) Cl.** **13-02**

(52) **U.S. Cl.**
USPC **D13/102**

(58) **Field of Classification Search**

USPC D13/102, 101, 103, 110, 118, 133, 182, D13/184, 199; D26/63, 67, 68, 71

CPC Y02E 10/40; Y02E 10/44; Y02E 10/50; Y02E 10/52; Y02E 10/542; Y02E 10/544; E04H 4/08; F24J 2/38; F24J 2/0472; F24J 2/542; H01L 31/00; H01L 31/042; H01L 31/045; H01L 31/048; H01L 31/049; H01L 31/052; H01L 31/184; H01L 31/0232; H01L 31/0508; H01L 31/0512; H01L 31/0543; H01L 31/02013; H01L 31/1876; H01L 51/0061; H02S 40/34

See application file for complete search history.

(56) **References Cited**

U.S. PATENT DOCUMENTS

D222,989 S 2/1972 Cohen
4,534,496 A 8/1985 Bott
D311,722 S 10/1990 Cheng
5,306,156 A 4/1994 Gibbs et al.

(Continued)

FOREIGN PATENT DOCUMENTS

CN 106782121 A 5/2017
CN 109961695 A 7/2019

(Continued)

OTHER PUBLICATIONS

CIVIQ Smartscales, There are companies that make kiosks. And then there's CIVIQ.—Advanced Smart City Platform, webpage, Jan. 30, 2019, 10 pages.

(Continued)

Primary Examiner — Derrick E Holland

(74) *Attorney, Agent, or Firm* — Standley Law Group LLP; Stephen L. Grant; Adam J. Smith

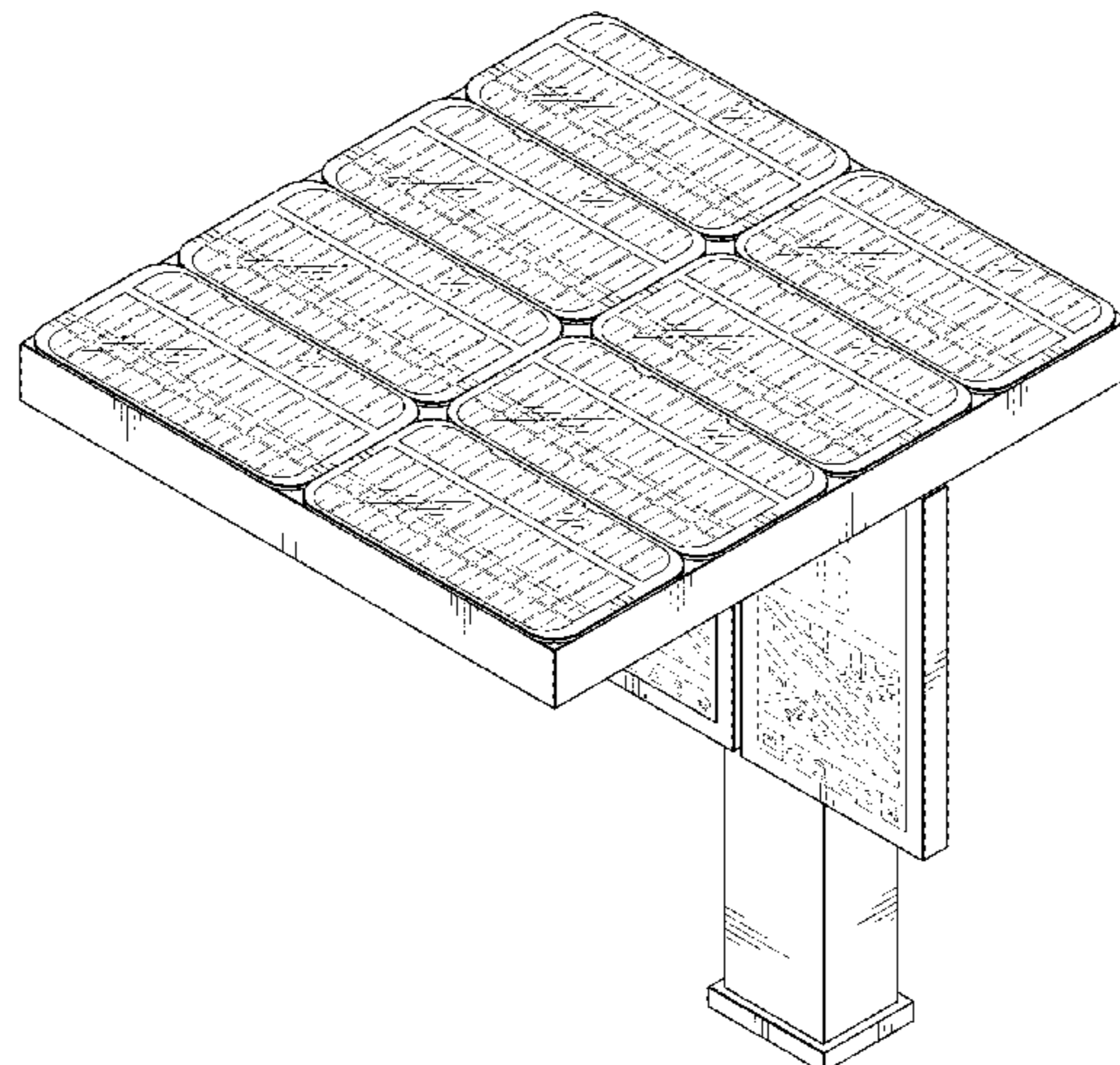
(57) **CLAIM**

The ornamental design for a canopy with solar powered electronic menu board, as shown and described.

DESCRIPTION

FIG. 1 is a front perspective view of a canopy with solar powered electronic menu board;
FIG. 2 is a front elevation view thereof;
FIG. 3 is a rear elevation view thereof;
FIG. 4 is a right side elevation view thereof;
FIG. 5 is a left side elevation view thereof;
FIG. 6 is a top view thereof; and,
FIG. 7 is a bottom view thereof.

(Continued)



The broken lines shown represent environmental subject matter and form no part of the claimed design.

1 Claim, 7 Drawing Sheets

(56)

References Cited

U.S. PATENT DOCUMENTS

D357,944 S	5/1995	Atwell et al.	
D403,434 S	12/1998	Sander	
D408,554 S	* 4/1999	Dinwoodie D25/56
D410,751 S	6/1999	Meier	
D453,194 S	1/2002	Gentelia et al.	
D455,789 S	4/2002	Schlueter	
D479,859 S	9/2003	Strunk et al.	
D483,074 S	12/2003	Strunk et al.	
D486,188 S	2/2004	Norcross et al.	
D500,143 S	12/2004	Moncho et al.	
D514,913 S	2/2006	Dunn et al.	
D530,432 S	10/2006	Gottesdiener	
D535,034 S	1/2007	Gottesdiener	
D560,668 S	1/2008	Pritchard et al.	
D585,943 S	2/2009	Pymm et al.	
D593,213 S	5/2009	Grimshaw et al.	
D595,645 S	7/2009	Beghelli	
D603,973 S	11/2009	Jackson et al.	
D639,800 S	6/2011	Magruder	
D646,269 S	10/2011	Crick, Jr. et al.	
D653,662 S	2/2012	Park et al.	
D654,116 S	2/2012	McDougall et al.	
D659,259 S	5/2012	Duddy	
D662,040 S	6/2012	Yang et al.	
D665,029 S	8/2012	Krapf et al.	
D696,658 S	12/2013	Winston et al.	
D710,298 S	8/2014	Jie et al.	
8,895,836 B2	11/2014	Amin et al.	
9,121,391 B1	9/2015	Koehler, III	
D740,966 S	10/2015	Indio da Costa et al.	
D747,816 S	1/2016	Indio da Costa et al.	
D752,529 S	3/2016	Loretan et al.	
D754,256 S	4/2016	Maman et al.	
D775,622 S	1/2017	Fu et al.	
D777,695 S	1/2017	Odryna et al.	
D786,453 S	5/2017	Indio da Costa et al.	
D786,454 S	5/2017	Indio da Costa et al.	
D791,069 S	* 7/2017	Mota D13/102
D795,453 S	8/2017	Indio da Costa et al.	
D797,658 S	9/2017	Feller et al.	
D804,054 S	11/2017	Indio da Costa et al.	
D806,895 S	1/2018	Terashima et al.	
D807,840 S	1/2018	Lee et al.	
D816,624 S	5/2018	Odryna et al.	
D817,288 S	5/2018	Won et al.	
D820,798 S	6/2018	Yurusov	
9,994,160 B2	6/2018	Kim et al.	
D831,599 S	10/2018	Chong et al.	
D835,926 S	12/2018	Abatemarco, Jr.	
D839,352 S	1/2019	Lim et al.	
10,278,311 B2	4/2019	DeMars	
10,290,243 B2	5/2019	Lanham	
D856,530 S	8/2019	Oskoui	
D861,623 S	10/2019	Odryna et al.	
D879,202 S	3/2020	Hornsby et al.	
D883,278 S	5/2020	Yepez et al.	
D885,382 S	5/2020	Kim et al.	
10,757,844 B2	8/2020	Dunn et al.	
10,820,445 B2	10/2020	Diaz	
10,827,657 B2	11/2020	Lee	
10,831,050 B2	11/2020	Dunn et al.	
D913,276 S	3/2021	Dunn	
D913,277 S	3/2021	Dunn	
D913,278 S	3/2021	Dunn	

D916,189 S	4/2021	Dunn	
D916,190 S	4/2021	Dunn	
D916,319 S	4/2021	Dunn	
D916,971 S	4/2021	Dunn	
D916,972 S	4/2021	Dunn	
D916,973 S	4/2021	Dunn	
D916,974 S	4/2021	Dunn	
D916,975 S	4/2021	Dunn	
D916,976 S	4/2021	Dunn	
D916,977 S	4/2021	Dunn	
2003/0119448 A1	6/2003	Arntz	
2008/0298051 A1*	12/2008	Chu F21S 9/037 362/183
2009/0183405 A1*	7/2009	Wilkes G09F 13/005 40/543
2010/0079979 A1	4/2010	Nakamichi et al.	
2011/0075363 A1	3/2011	Nakamichi et al.	
2011/0298841 A1	12/2011	Fujimori	
2012/0002357 A1	1/2012	Auld et al.	
2012/0224116 A1	9/2012	Barnes	
2015/0194561 A1*	7/2015	Toya H01L 31/0543 250/208.1
2015/0381922 A1	12/2015	Hamilton	
2016/0041423 A1	2/2016	Dunn	
2018/0293921 A1	10/2018	Margrill	
2018/0317330 A1	11/2018	Dunn et al.	
2018/0345809 A1	12/2018	Derrien et al.	
2021/0066923 A1	3/2021	Dunn et al.	

FOREIGN PATENT DOCUMENTS

EM	008035232-0001	7/2020
EP	3040766 A1	7/2016
KR	300422537.0000	8/2006
KR	10-1444022 B1	10/2014
WO	2016/102980 A1	6/2016
WO	D098725-001	12/2017
WO	2021/041381 A1	3/2021

OTHER PUBLICATIONS

CIVIQ Smartscares, Connecting people, places & experiences, webpage, Jan. 30, 2019, 5 pages.

CIVIQ Smartscares, Connecting people, places & experiences, screen shot of devices webpage, Jan. 30, 2019, 1 page.

Melford Technologies, Part 1, video online at <https://m.youtube.com/watch?v=OAV7zzVrHtE&feature=youtu.be>, Oct. 21, 2019, 1 page.

Manufacturing Resources International, Manufacturing Resources International home webpage, Nov. 4, 2019, 2 pages.

Manufacturing Resources International, LCD Display Deployments webpage, Nov. 4, 2019, 3 pages.

Manufacturing Resources International, BoldVu Outdoor LCD Display webpage, Nov. 4, 2019, 2 pages.

Manufacturing Resources International, BoldVu Semi Outdoor LCD Display webpage, Nov. 8, 2019, 2 pages.

Manufacturing Resources International, BoldVu Vehicle Top LCD Display webpage, Nov. 8, 2019, 2 pages.

Manufacturing Resources International, Drivethru Menu Boards Webpage, Nov. 8, 2019, 2 pages.

Manufacturing Resources International, Storefront Digital Signage webpage, Nov. 8, 2019, 2 pages.

Vertigo Digital Displays, Innovation on Display FlexVu Totem Brochure, 2014, 6 pages.

Vertigo Digital Displays, FlexVu Totem Shelter, 2017, 2 pages.

Vertigo Digital Displays, All Products Catalogue, 2017, 14 pages.

CIVIQ Smartscares, FlexVue Ferro 55P/55L, Mar. 16, 2017, 4 pages.

Gable, Blog Post: The Anatomy of an Interactive Kiosk, Aug. 15, 2018, 4 pages.

* cited by examiner

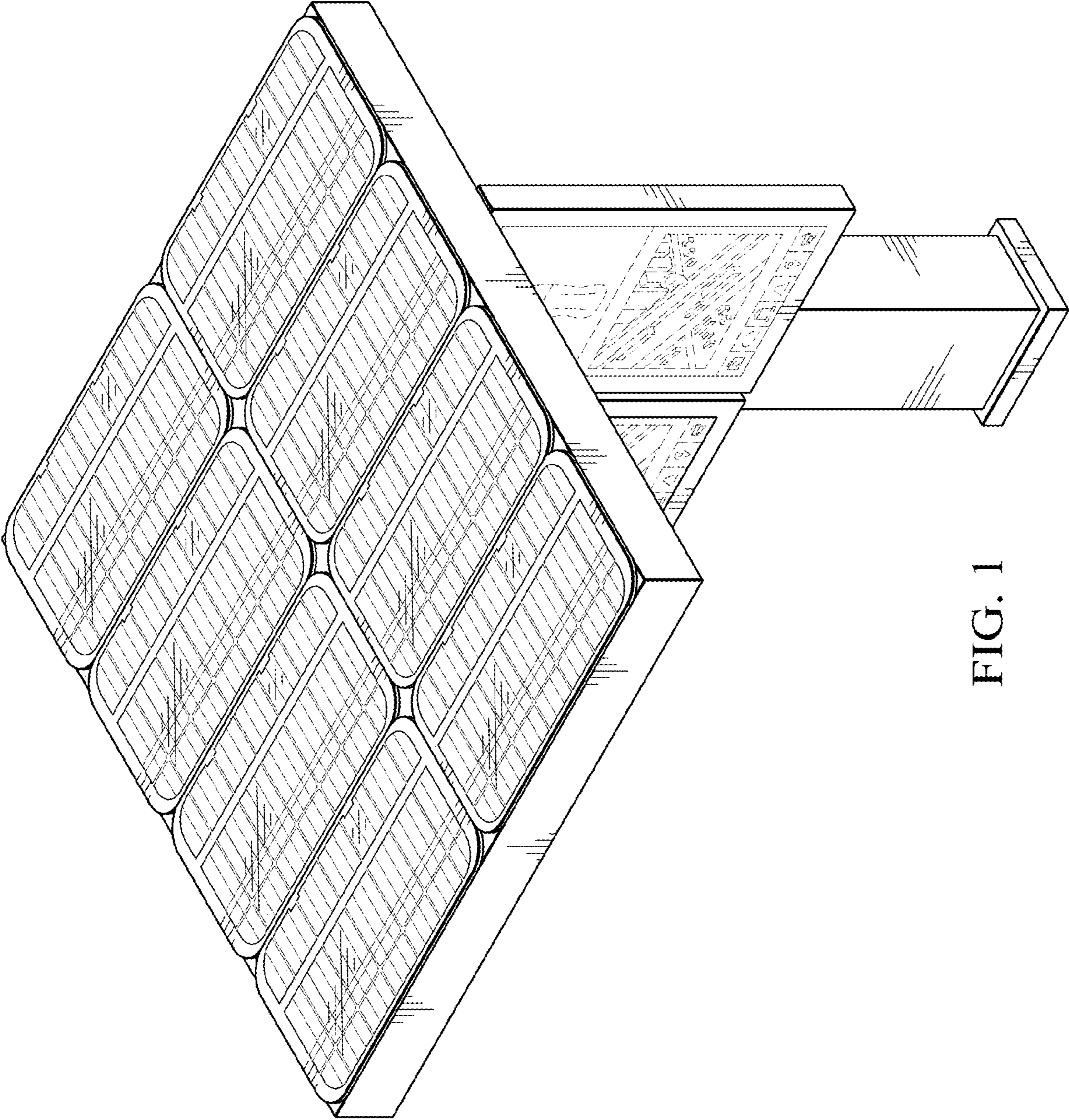


FIG. 1

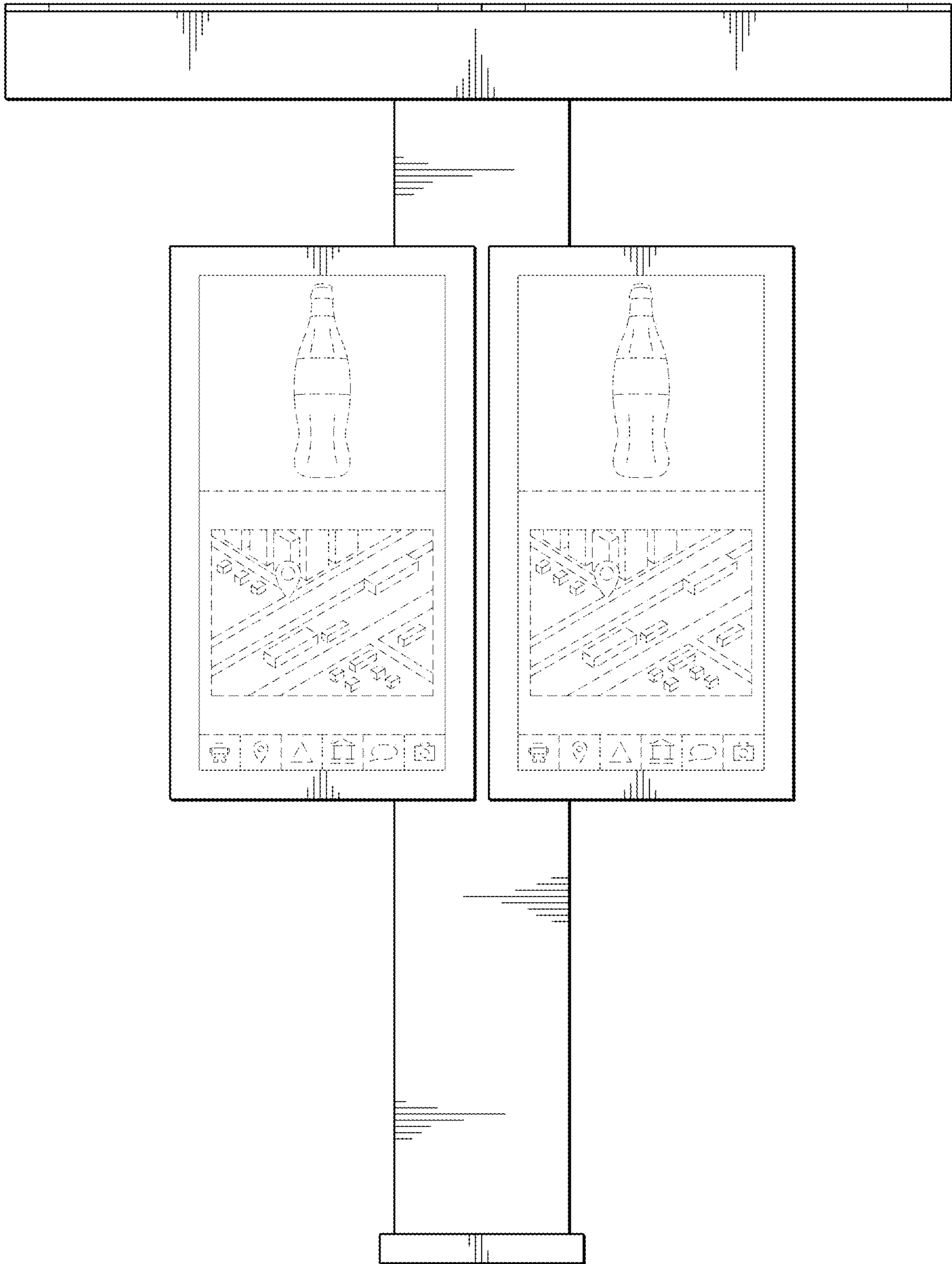


FIG. 2

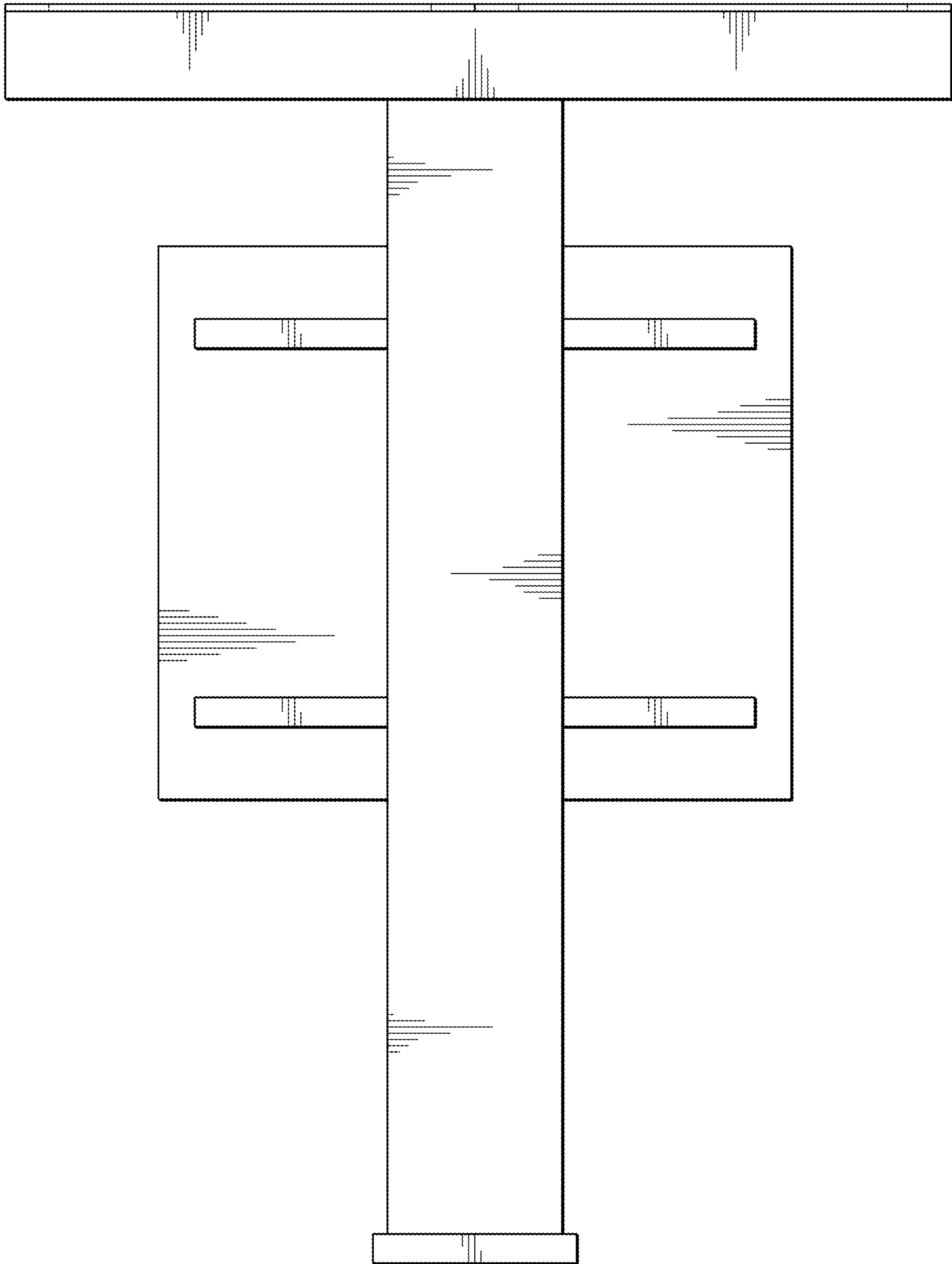


FIG. 3

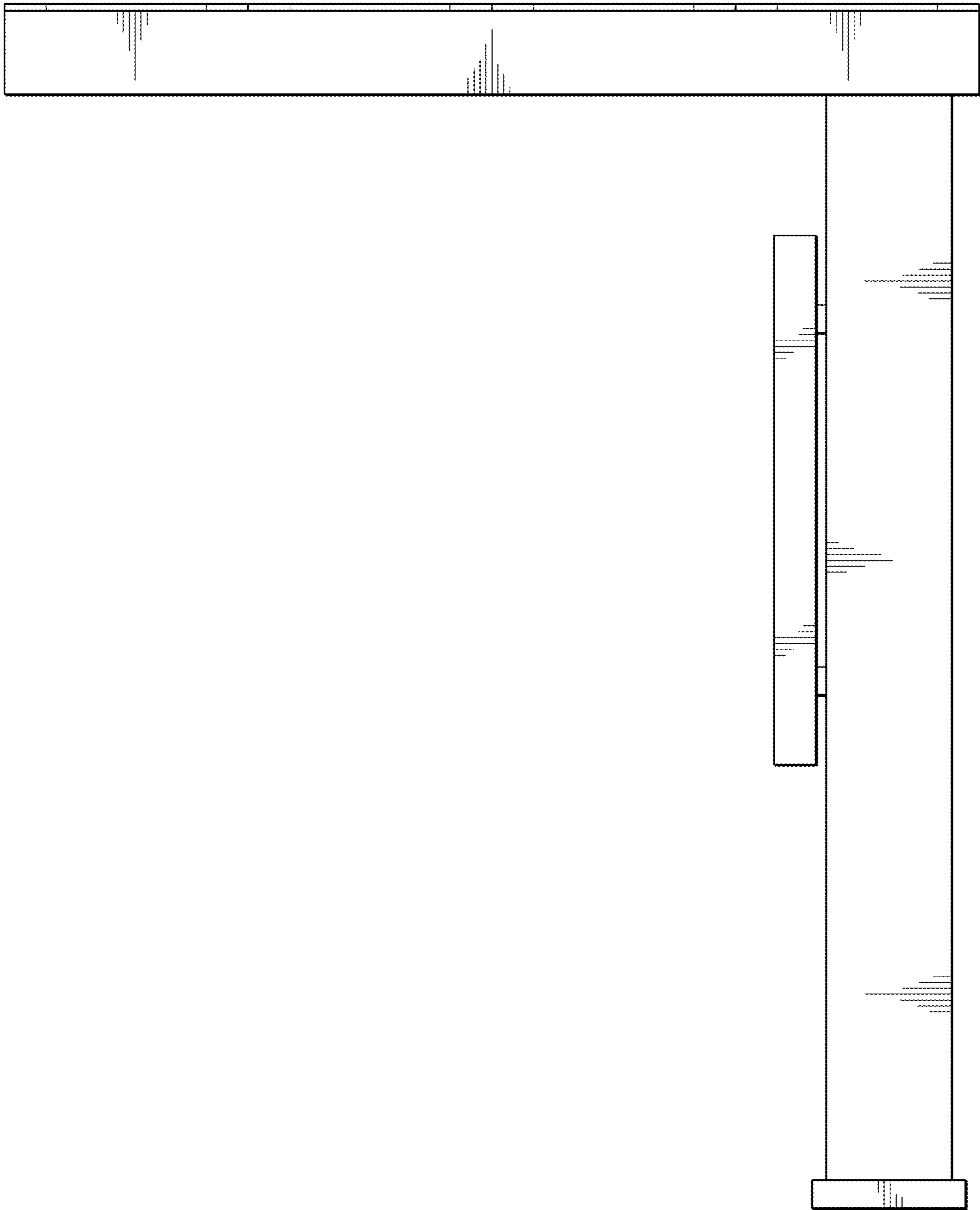


FIG. 4

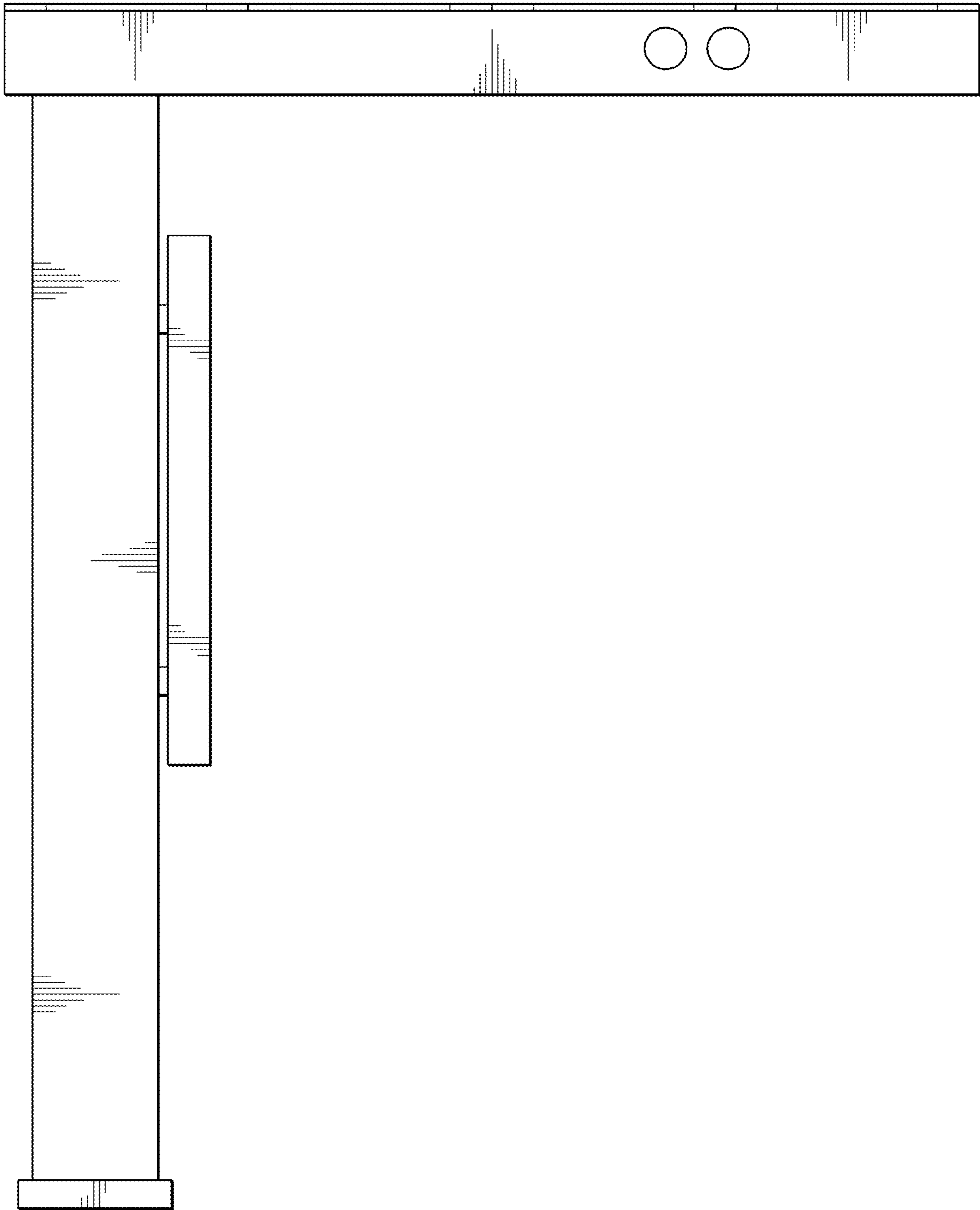


FIG. 5

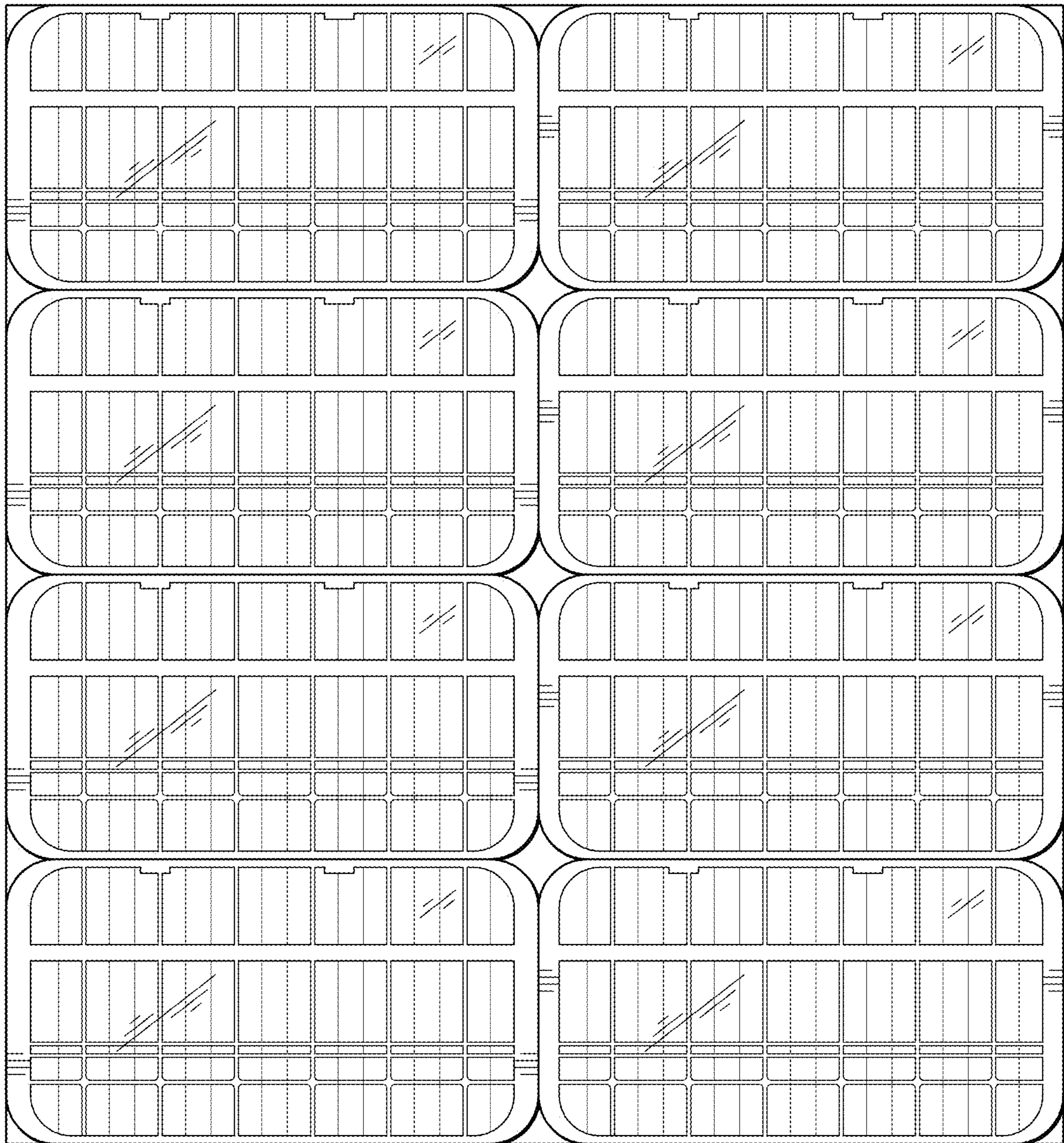


FIG. 6

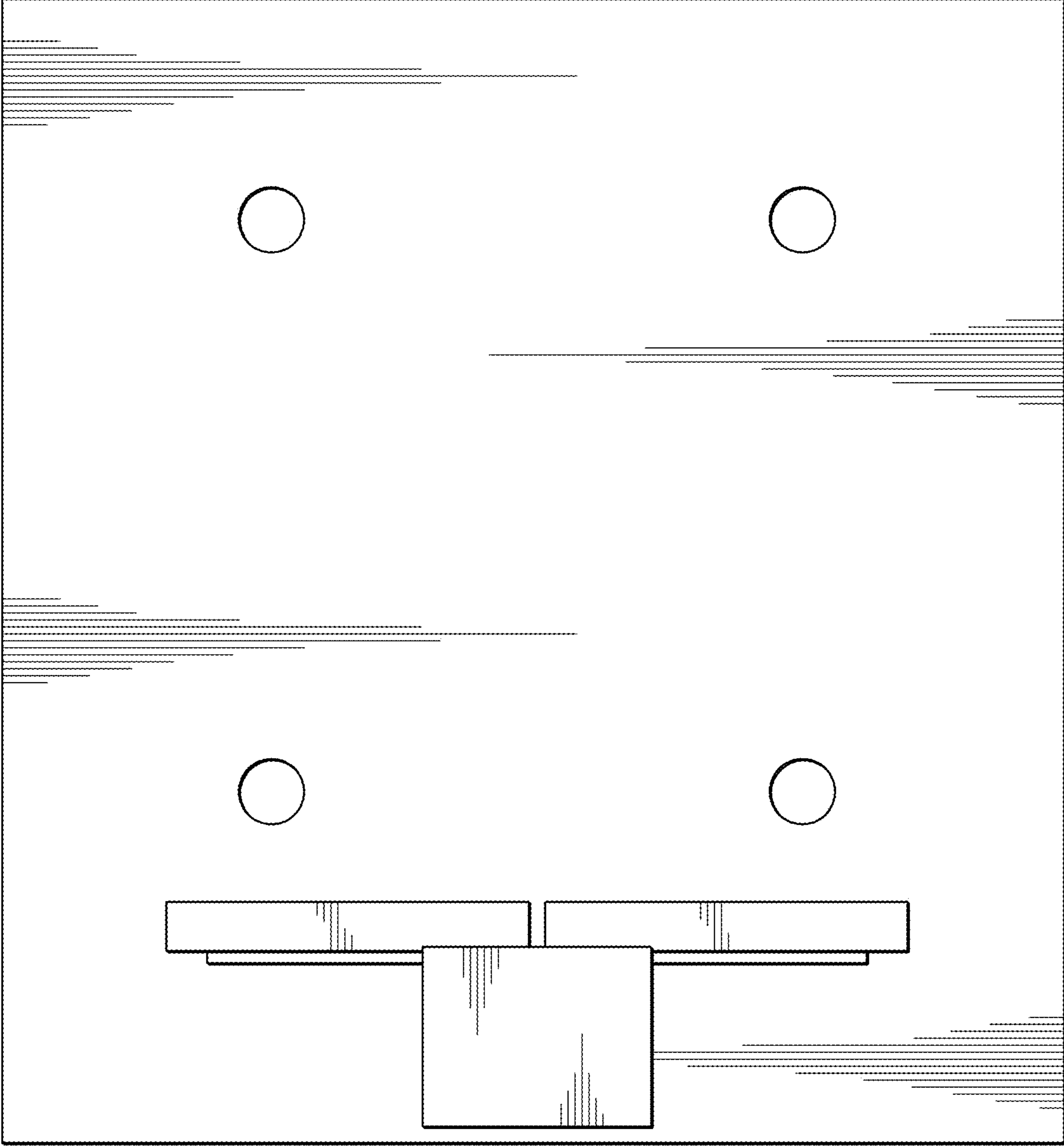


FIG. 7