



US00D941234S

(12) **United States Design Patent**
Gao et al.

(10) **Patent No.:** **US D941,234 S**
(45) **Date of Patent:** **** Jan. 18, 2022**

(54) **FOLDABLE SOLAR CHARGER**

(71) Applicant: **Maodi Solar Technology (Dongguan) Co., Ltd**, Guangdong (CN)

(72) Inventors: **Zhiyi Gao**, Guangdong (CN); **Qing Tian**, Guangdong (CN)

(73) Assignee: **Maodi Solar Technology (Dongguan) Co., Ltd**, Dongguan (CN)

(**) Term: **15 Years**

(21) Appl. No.: **29/743,760**

(22) Filed: **Jul. 24, 2020**

(30) **Foreign Application Priority Data**

Jun. 30, 2020 (CN) 202030344920.1

(51) **LOC (13) Cl.** **13-02**

(52) **U.S. Cl.**
USPC **D13/102**

(58) **Field of Classification Search**
USPC D13/101, 102, 103, 107, 108, 110, 118,
D13/133, 184, 199
CPC H01L 31/02; H01L 31/18; H01L 31/042;
H01L 31/048; H01L 31/0525; H01L
31/0203; H01L 31/02008; H01L 31/0504;
H01L 31/02013; H01L 27/142; H01L
27/1421; Y02E 10/40; Y02E 10/47; Y02E
10/50; Y02E 10/52; Y02E 10/54; Y02E
10/542; Y02E 10/544; H02S 30/10; H02S
40/34; H02S 40/44; H02J 7/0042

See application file for complete search history.

(56) **References Cited**

U.S. PATENT DOCUMENTS

6,476,311 B1 * 11/2002 Lee H02S 30/20
136/244
D581,865 S * 12/2008 Koza D13/102
D620,431 S * 7/2010 Sasada D13/102

D625,251 S * 10/2010 Workman D13/102
D755,119 S * 5/2016 Munshi D13/102
D776,050 S * 1/2017 Awad D13/102
D817,265 S * 5/2018 Liu D13/102

(Continued)

Primary Examiner — Derrick E Holland

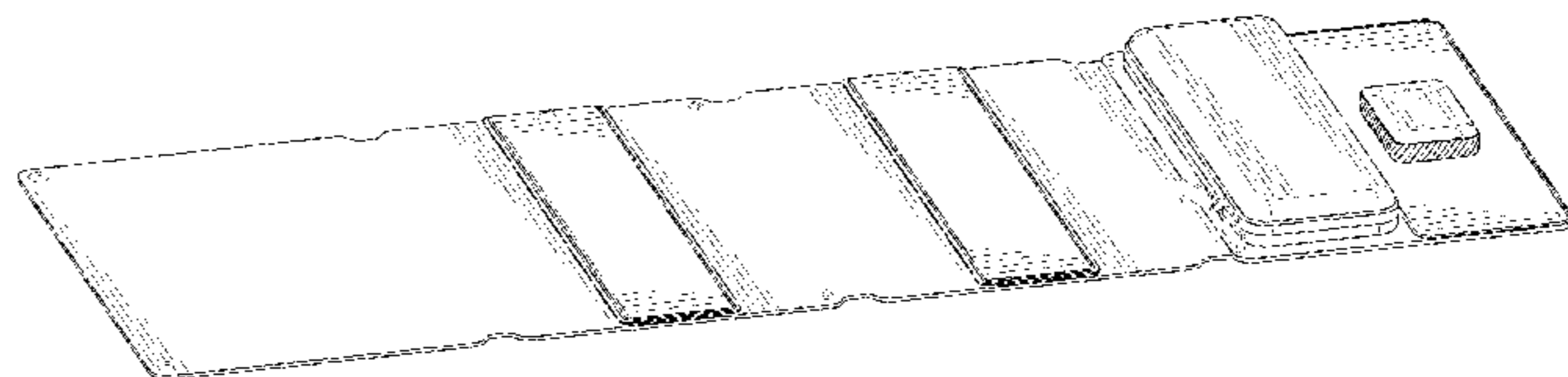
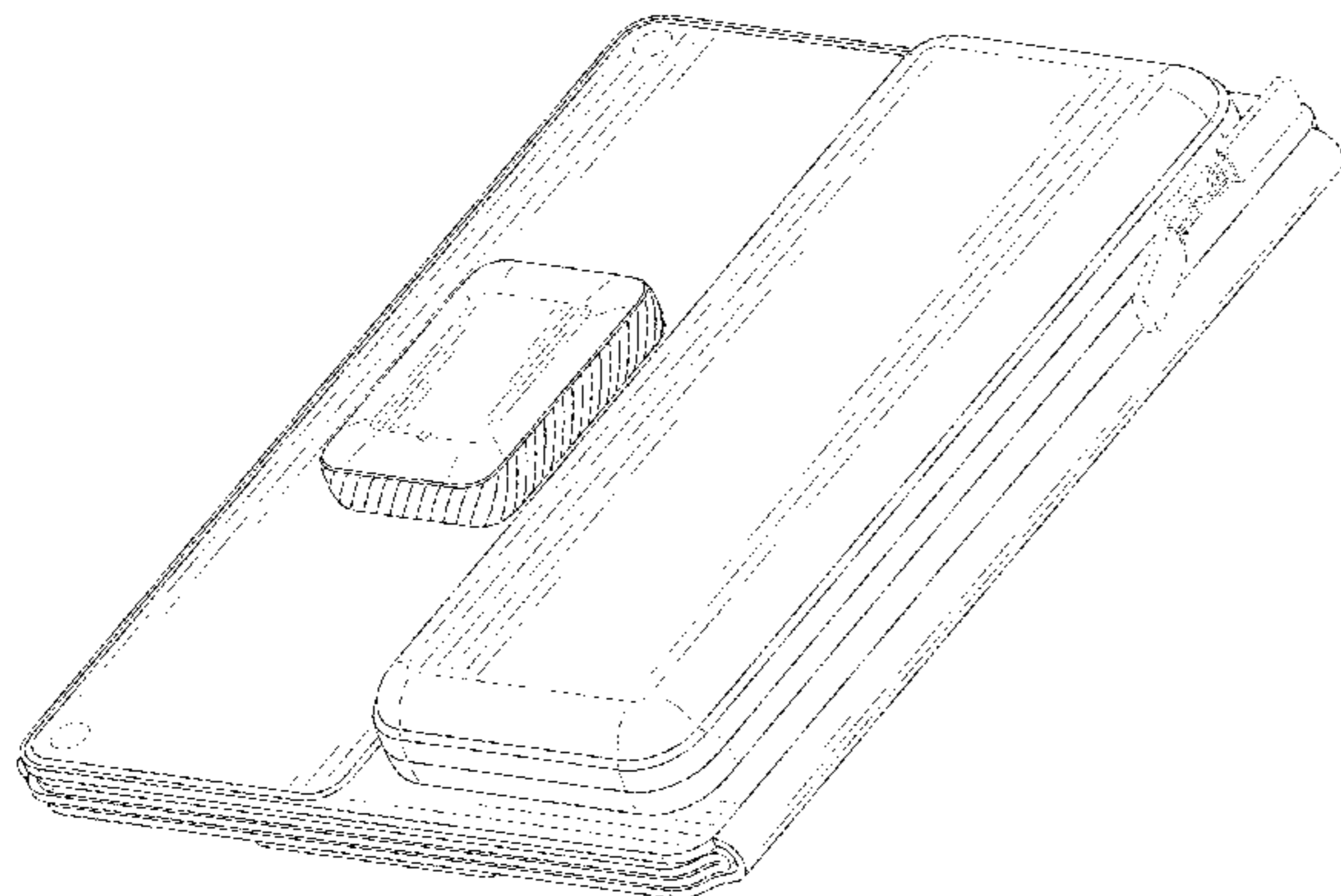
(57) **CLAIM**

The ornamental design for a foldable solar charger, as shown and described.

DESCRIPTION

FIG. 1 is a front elevational view of a foldable solar charger showing our new design in a folded state; FIG. 2 is a rear elevational view of FIG. 1; FIG. 3 is a left side view of FIG. 1; FIG. 4 is a right side view of FIG. 1; FIG. 5 is a top plan view of FIG. 1; FIG. 6 is a bottom plan view of FIG. 1; FIG. 7 is a top, front and left side perspective view of FIG. 1; FIG. 8 is a bottom, rear and left side perspective view of FIG. 1; FIG. 9 is a front elevational view showing the foldable solar charger in an open state; FIG. 10 is a rear elevational view of FIG. 9; FIG. 11 is a left side view of FIG. 9; FIG. 12 is a right side view of FIG. 9; FIG. 13 is a top plan view of FIG. 9; FIG. 14 is a bottom plan view of FIG. 9; FIG. 15 is a bottom, front and right side perspective view of FIG. 9; FIG. 16 is a top, rear and left side perspective view of FIG. 9; and, FIG. 17 is a top, rear and right side perspective view showing the foldable solar charger in a use state. The broken lines in the drawings illustrate portions of the foldable solar charger which form no part of the claimed design.

1 Claim, 17 Drawing Sheets



(56)

References Cited

U.S. PATENT DOCUMENTS

D827,564 S * 9/2018 Zhang D13/102
D862,381 S * 10/2019 Wang D13/102
2013/0240015 A1* 9/2013 Chaimovski H02S 10/40
136/245

* cited by examiner

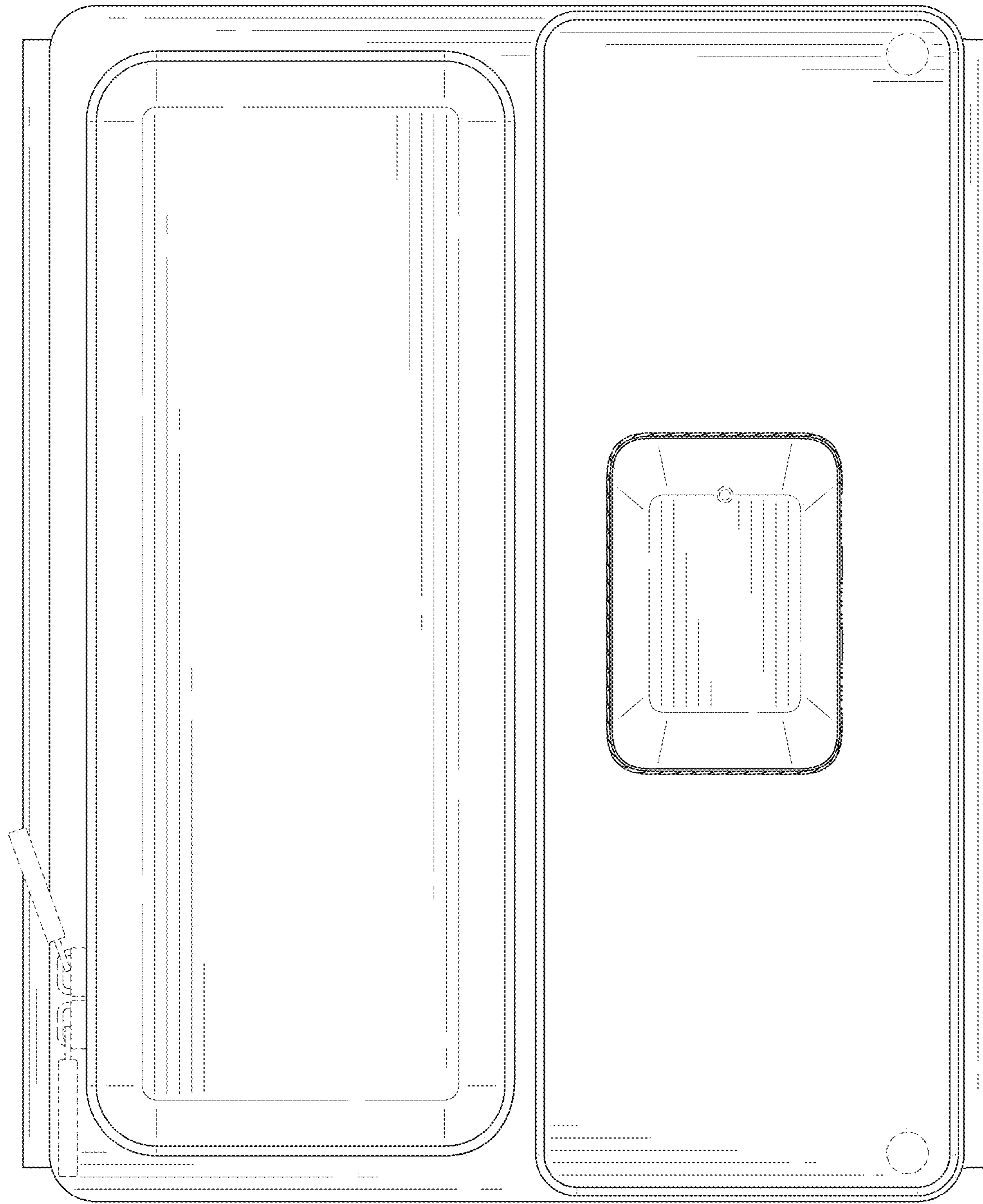


FIG. 1

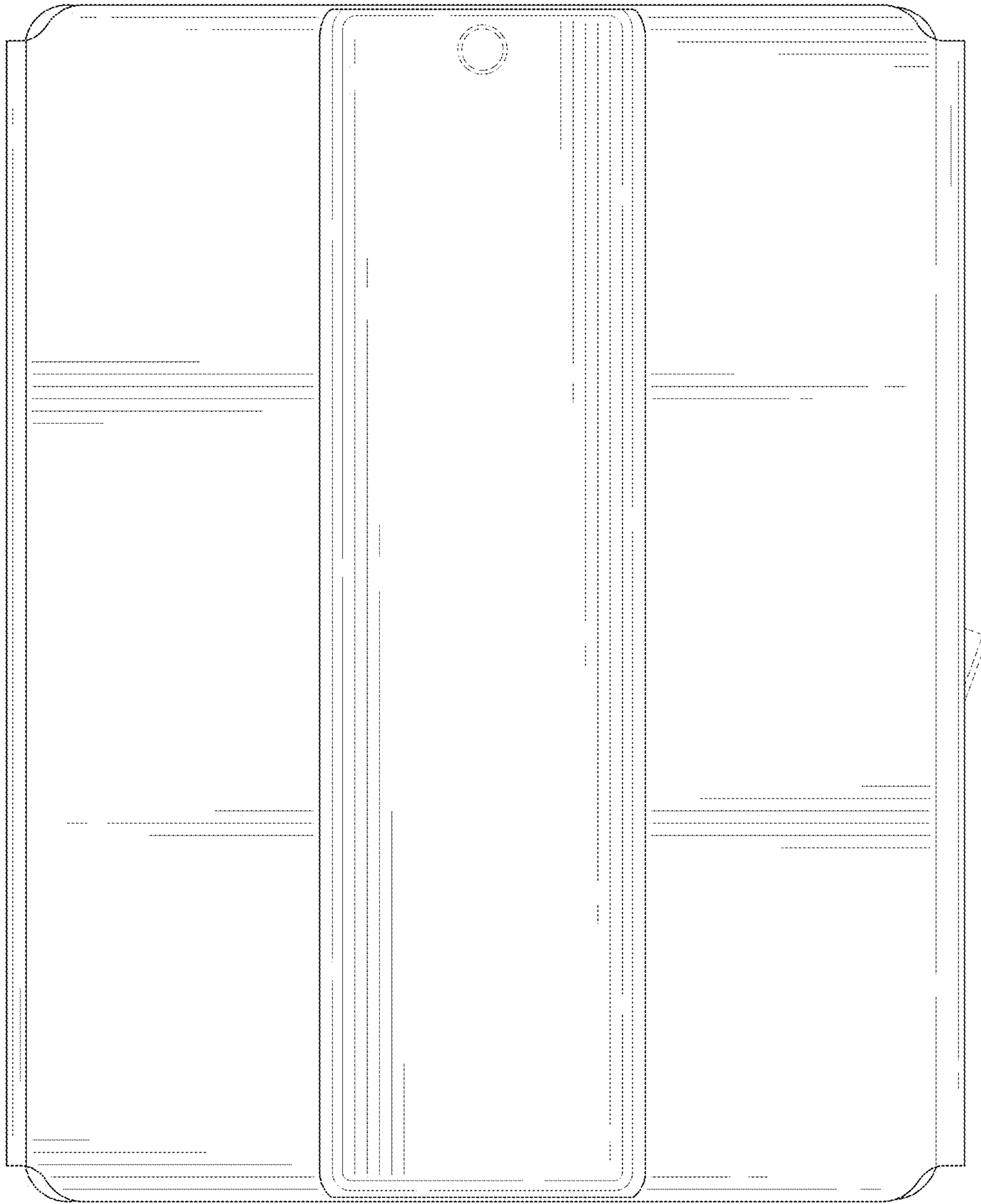


FIG. 2

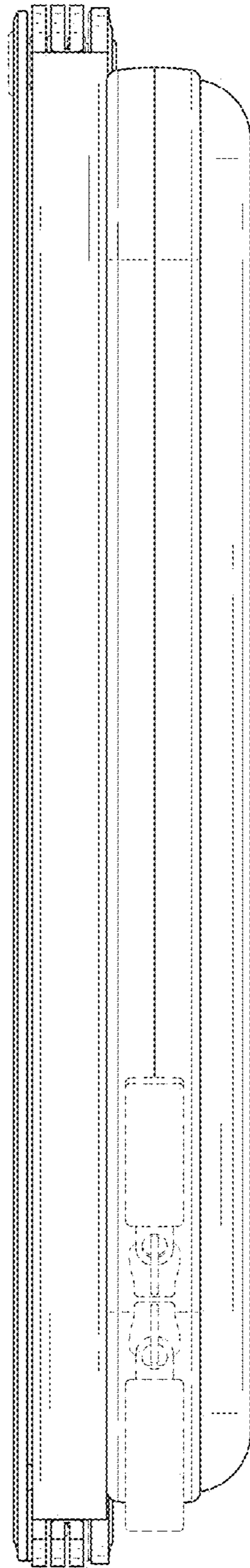


FIG. 3

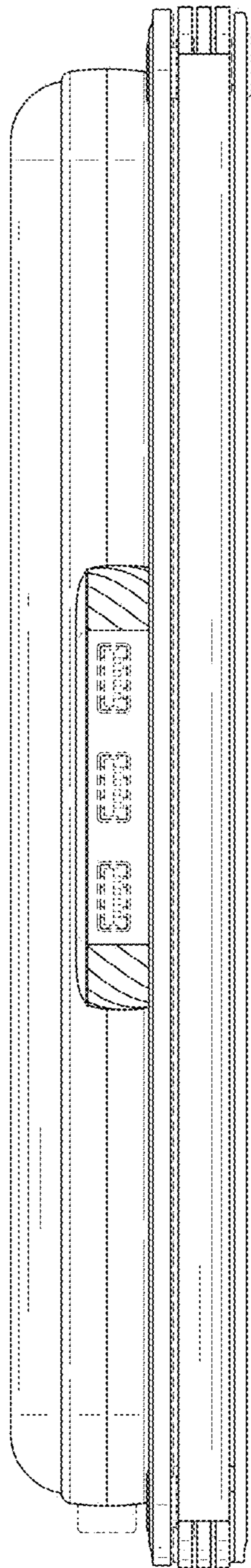


FIG. 4

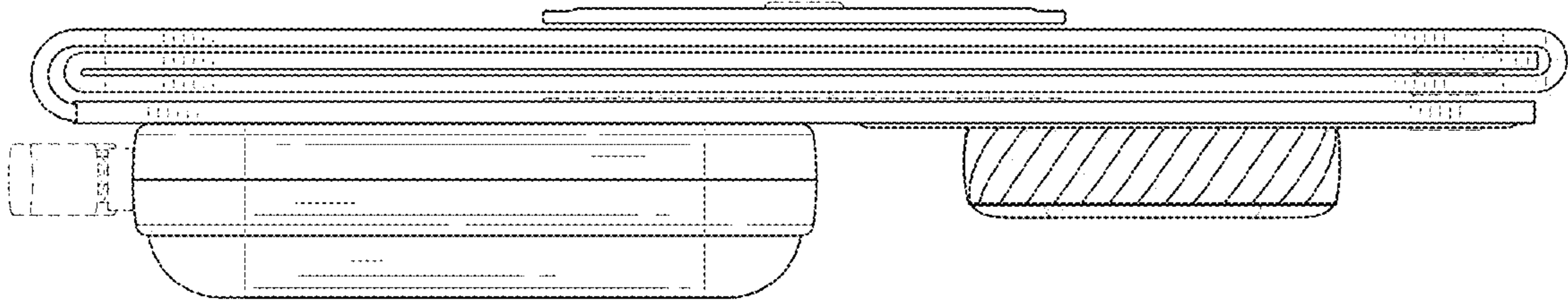


FIG. 5

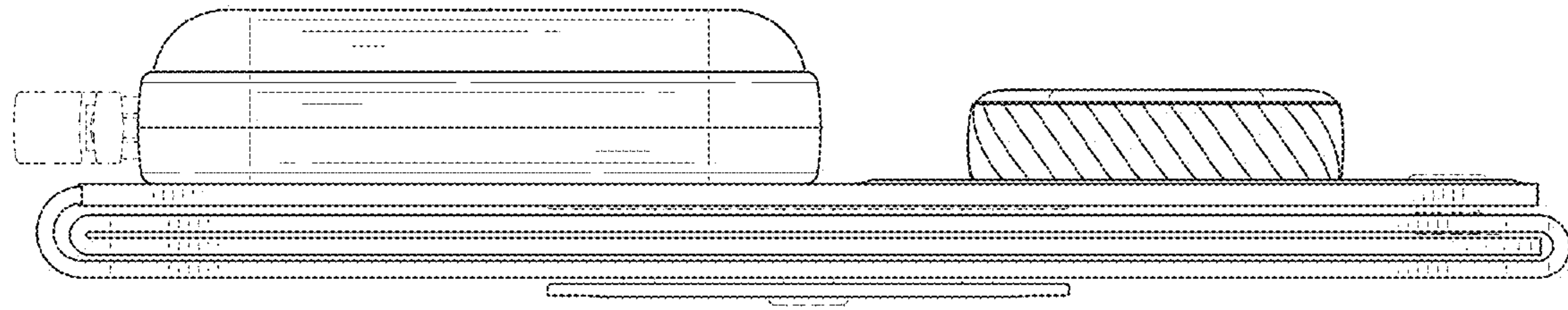


FIG. 6

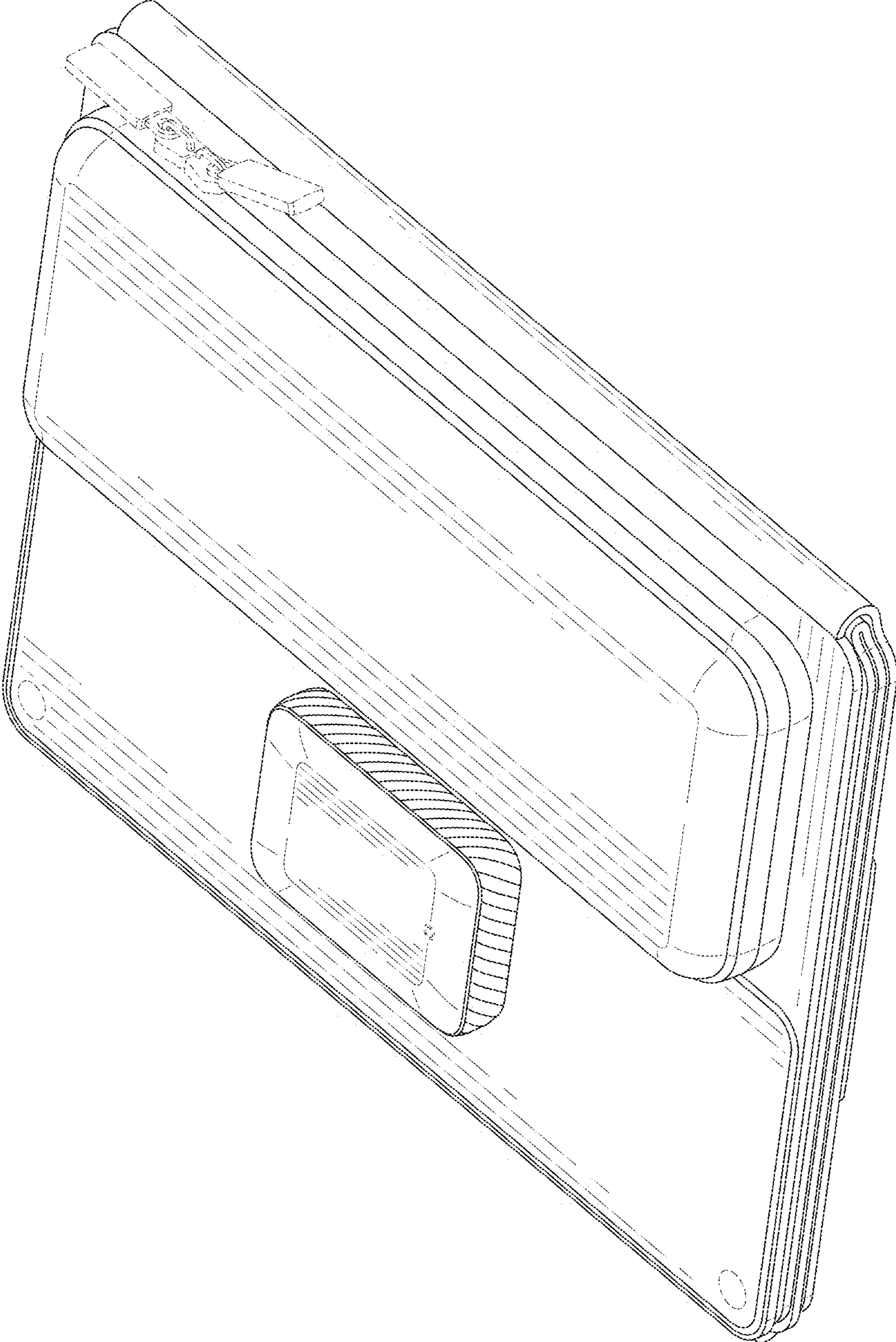


FIG. 7

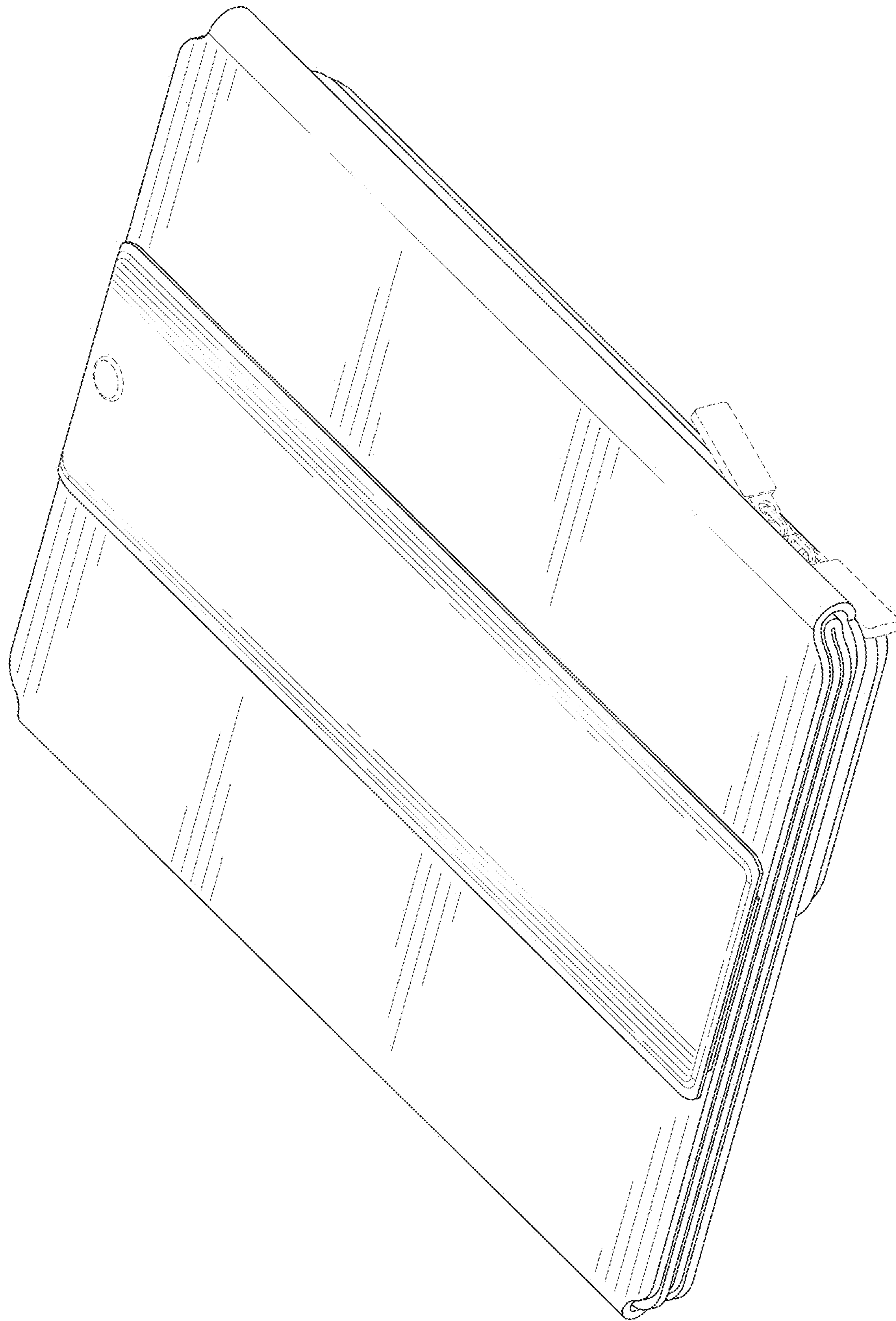


FIG. 8

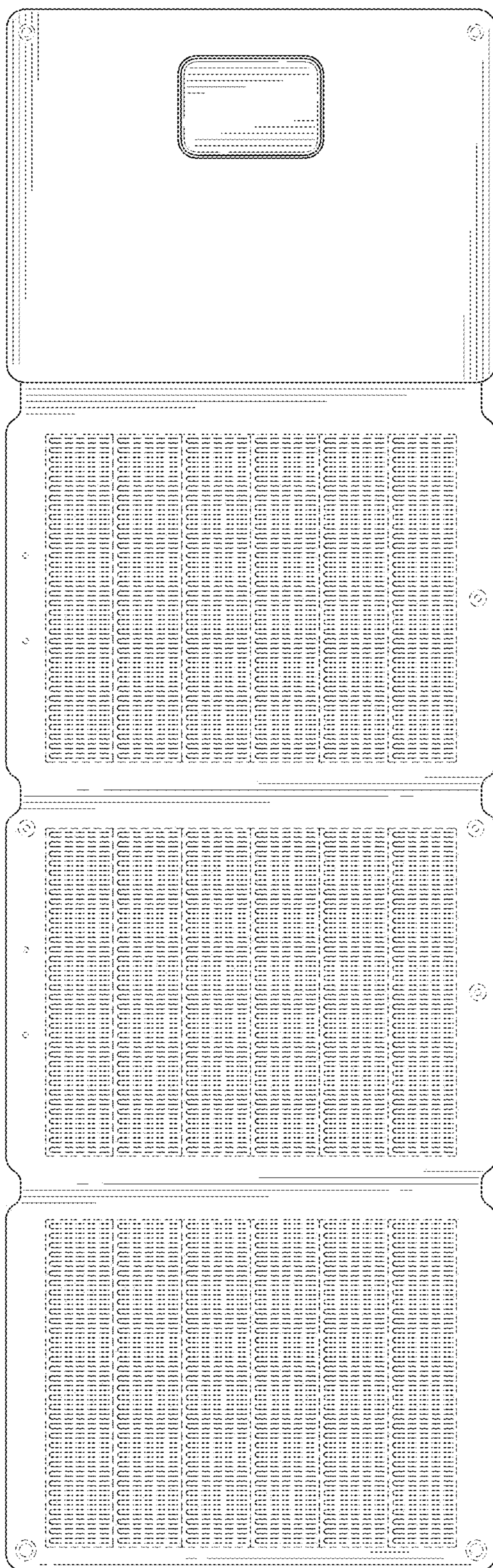


FIG. 9

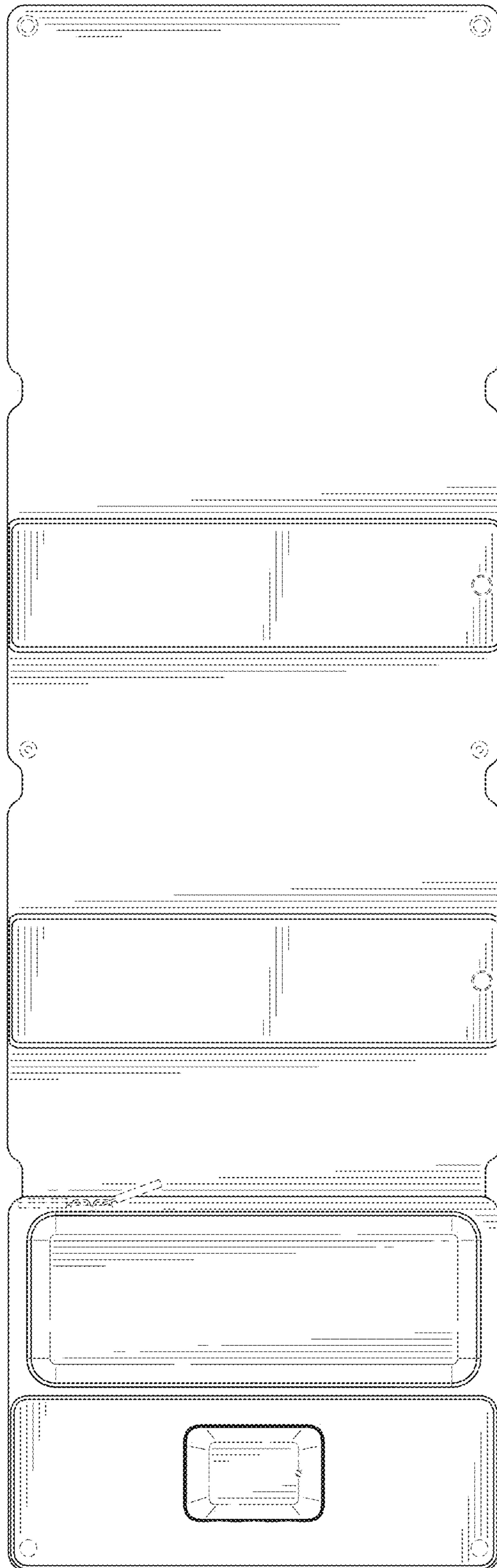


FIG. 10

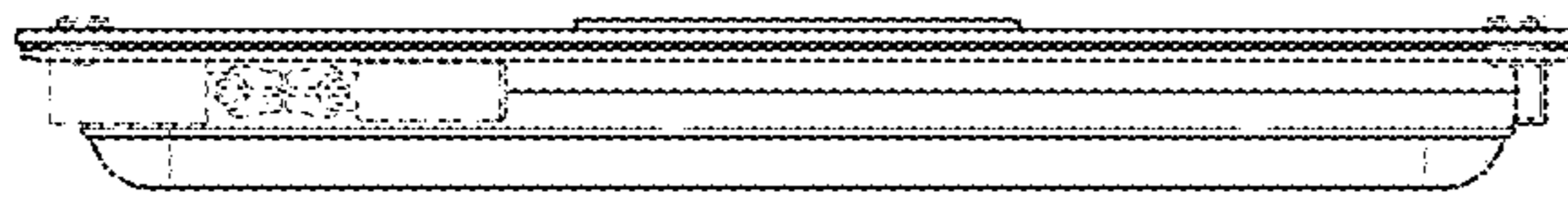


FIG. 11

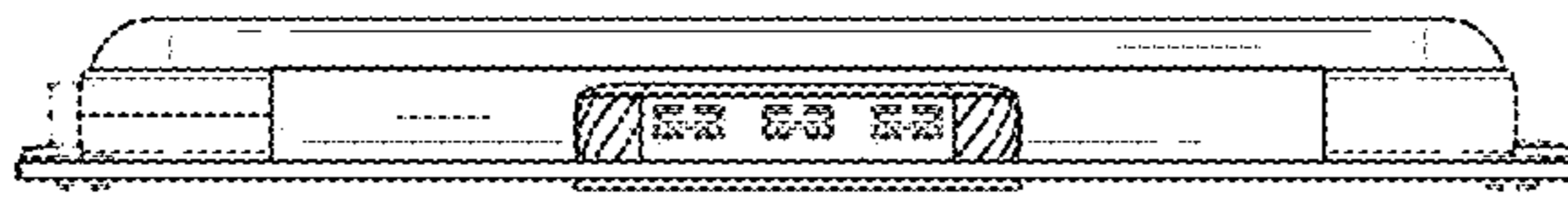


FIG. 12



FIG. 13

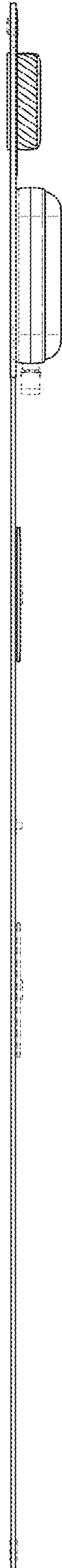


FIG. 14

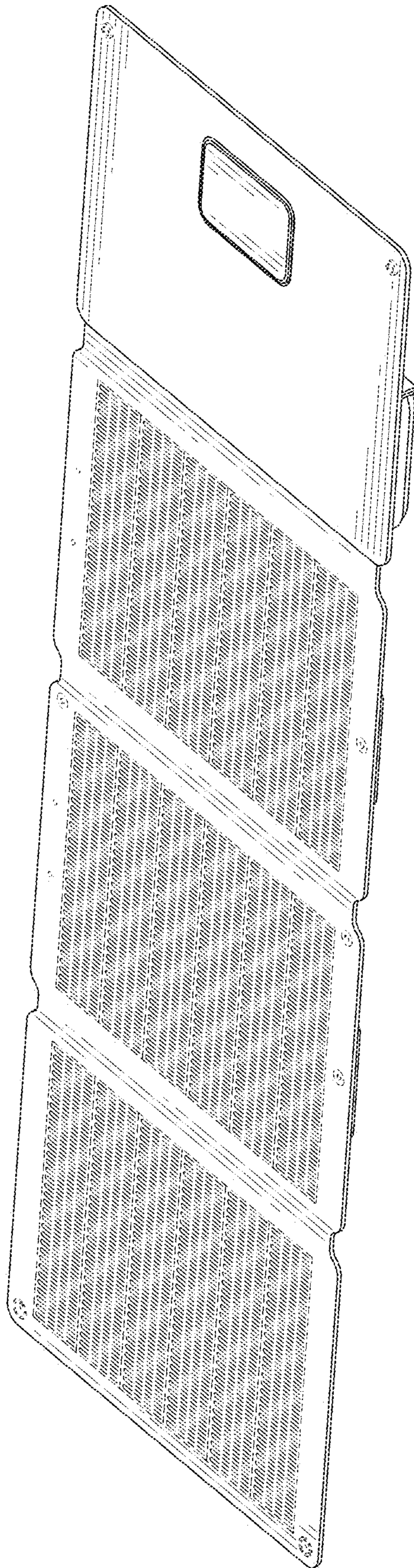


FIG. 15

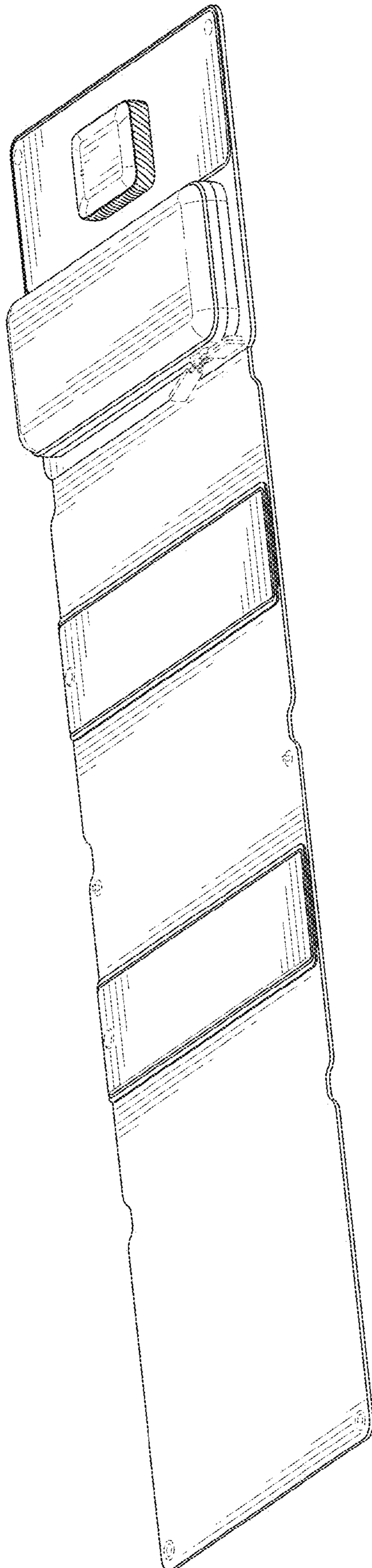


FIG. 16

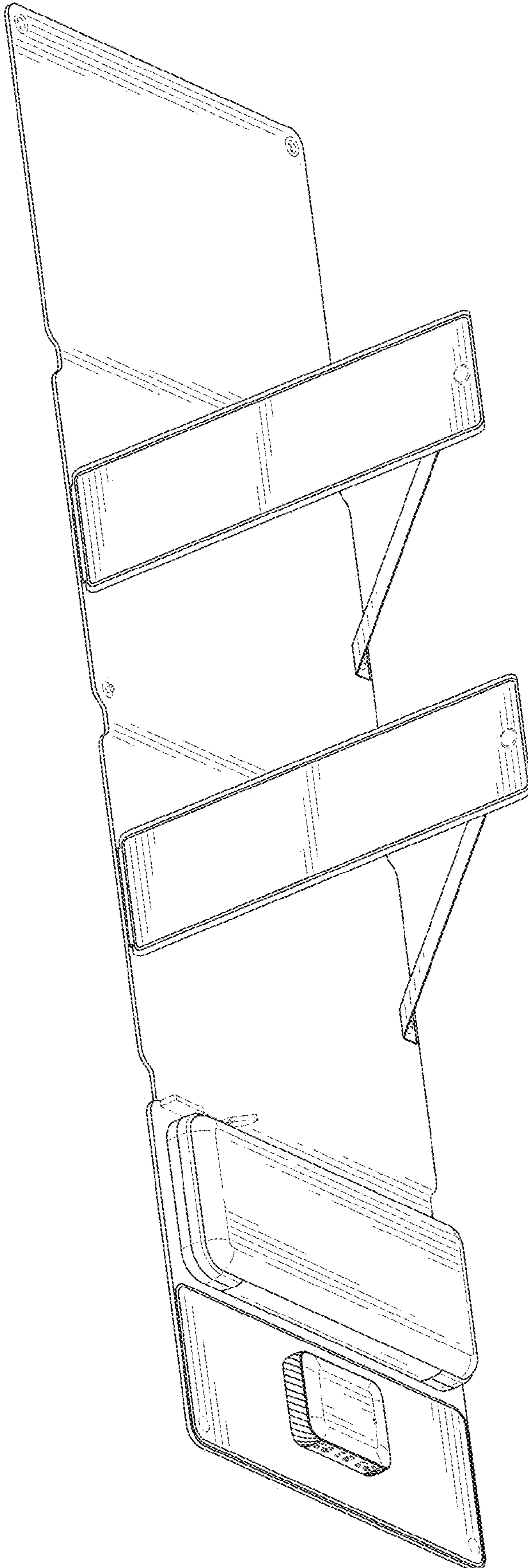


FIG. 17