



US00D941230S

(12) **United States Design Patent**
Kang et al.

(10) **Patent No.:** **US D941,230 S**
(45) **Date of Patent:** **** Jan. 18, 2022**

(54) **AUTOMOBILE**

CPC A47G 21/14; A45F 2200/05; A45F
2200/0575; B25H 3/006; B60N 2/46
See application file for complete search history.

(71) Applicant: **LG Electronics Inc.**, Seoul (KR)

(56) **References Cited**

(72) Inventors: **Seungmo Kang**, Seoul (KR); **Romain Diboine**, Seoul (KR); **Juneho Song**, Seoul (KR); **Sewon Chun**, Seoul (KR)

U.S. PATENT DOCUMENTS

(73) Assignee: **LG ELECTRONICS INC.**, Seoul (KR)

2,546,459 A * 3/1951 Lee B60N 3/002
108/28
3,606,112 A * 9/1971 Cheshier B60N 3/102
224/554
3,899,982 A * 8/1975 Fetzek B60N 3/102
108/25
D285,998 S * 10/1986 Langensiepen D12/424
(Continued)

(**) Term: **15 Years**

Primary Examiner — Darlington Ly

(21) Appl. No.: **35/509,525**

(74) *Attorney, Agent, or Firm* — Birch, Stewart, Kolasch & Birch, LLP

(22) Filed: **Oct. 16, 2019**

(57) **CLAIM**

(80) **Hague Agreement Data**

The ornamental design for an automobile, as shown and described.

Int. Filing Date: **Oct. 16, 2019**

DESCRIPTION

Int. Reg. No.: **DM/208352**

1. Automobile

Int. Reg. Date: **Oct. 16, 2019**

1.1 is a front perspective view of an automobile in which the clothes management machine for drying clothes is in a retracted position and hidden inside the backseat;

Int. Reg. Pub. Date: **Jun. 5, 2020**

1.2 is a front elevation view thereof;

(30) **Foreign Application Priority Data**

Apr. 16, 2019 (KR) 30-2019-0017876

1.3 is a rear elevation view thereof;

(51) **LOC (13) Cl.** **12-16**

1.4 is a left side elevation view thereof, to which the right side elevation view is a mirror image thereof;

(52) **U.S. Cl.**

USPC **D12/424**

1.5 is a top plan view thereof;

(58) **Field of Classification Search**

USPC D12/400, 415, 416–420, 424, 425, 604;
D3/304, 313, 314, 318–319; D7/550.1,
D7/553.2, 601, 602, 637–638, 701;
D34/28; D21/421; D6/512; D9/414–433

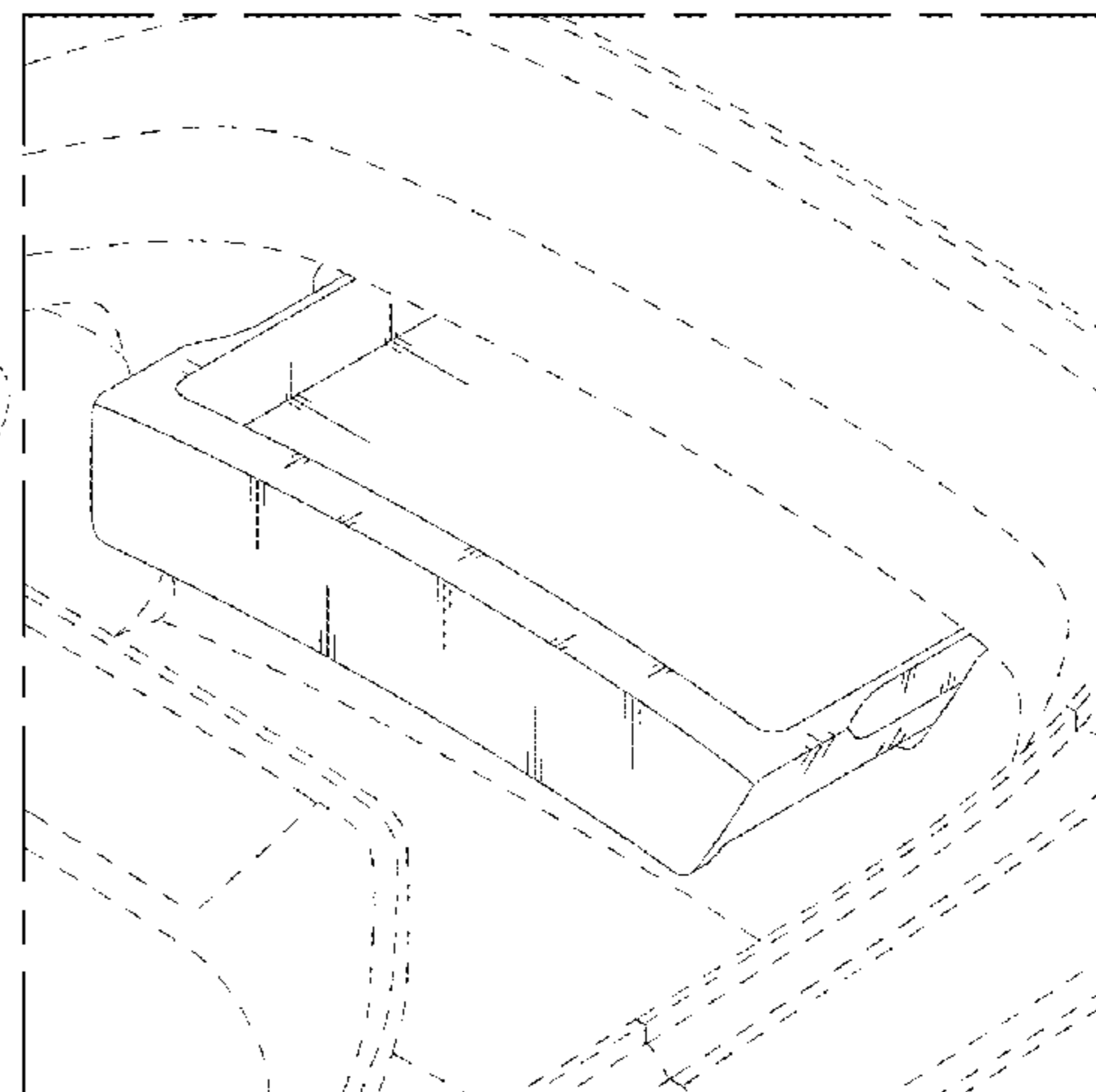
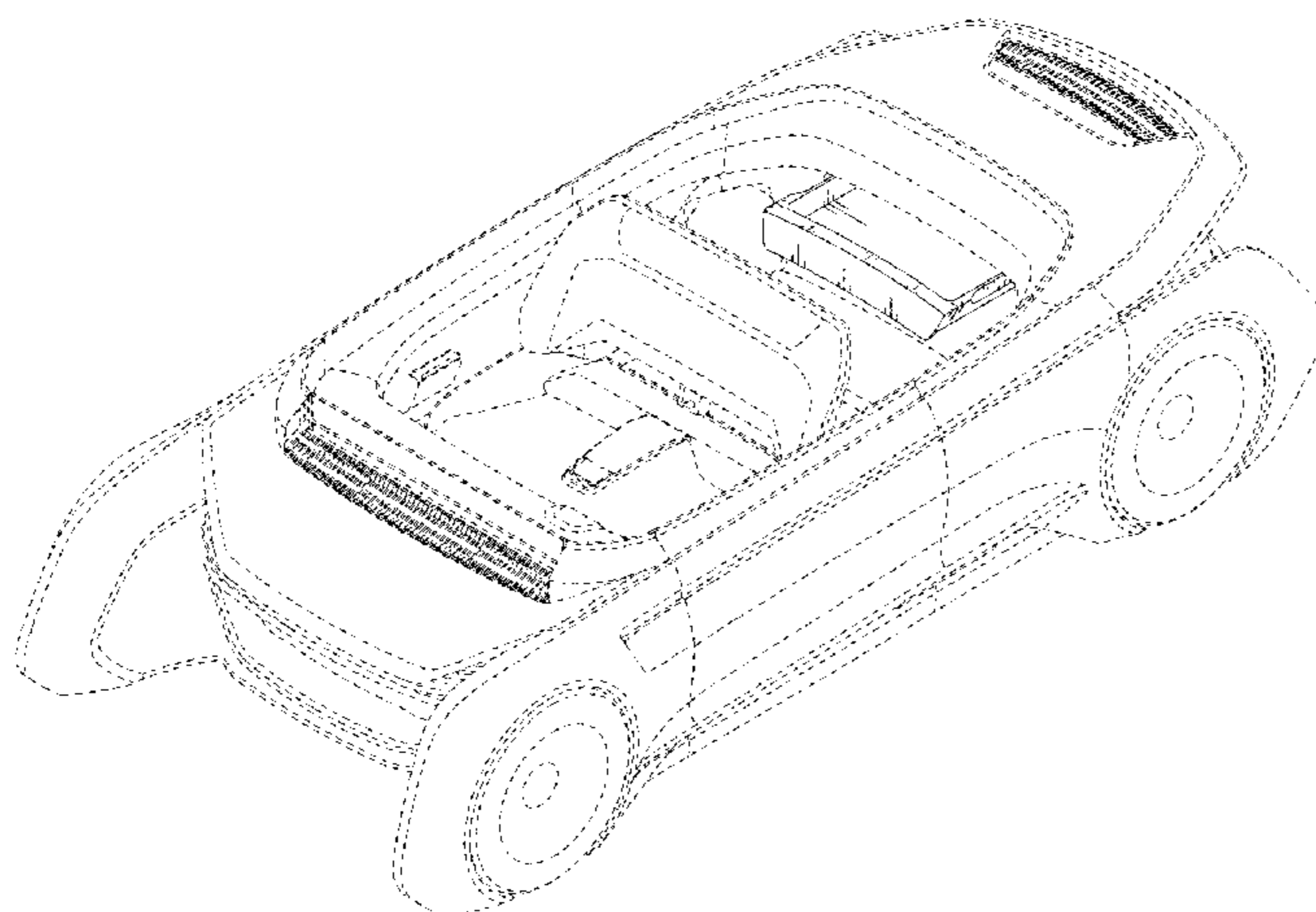
1.6 is an enlarged and partial front perspective view thereof;

1.7 is a front perspective view thereof in which the clothes management machine is in an extended position and pulled out from the backseat;

1.8 is a top plan view thereof in which the clothes management machine is in an extended position and pulled out from the backseat;

1.9 is an enlarged and partial front perspective view thereof in which the clothes management machine is in an extended position and pulled out from the backseat; and

(Continued)



1.10 is an enlarged and partial top plan view thereof in which the clothes management machine is in an extended position and pulled out from the backseat. The broken lines in the reproductions illustrate portions of the automobile that form no part of the claimed design.

1 Claim, 10 Drawing Sheets

(56)

References Cited

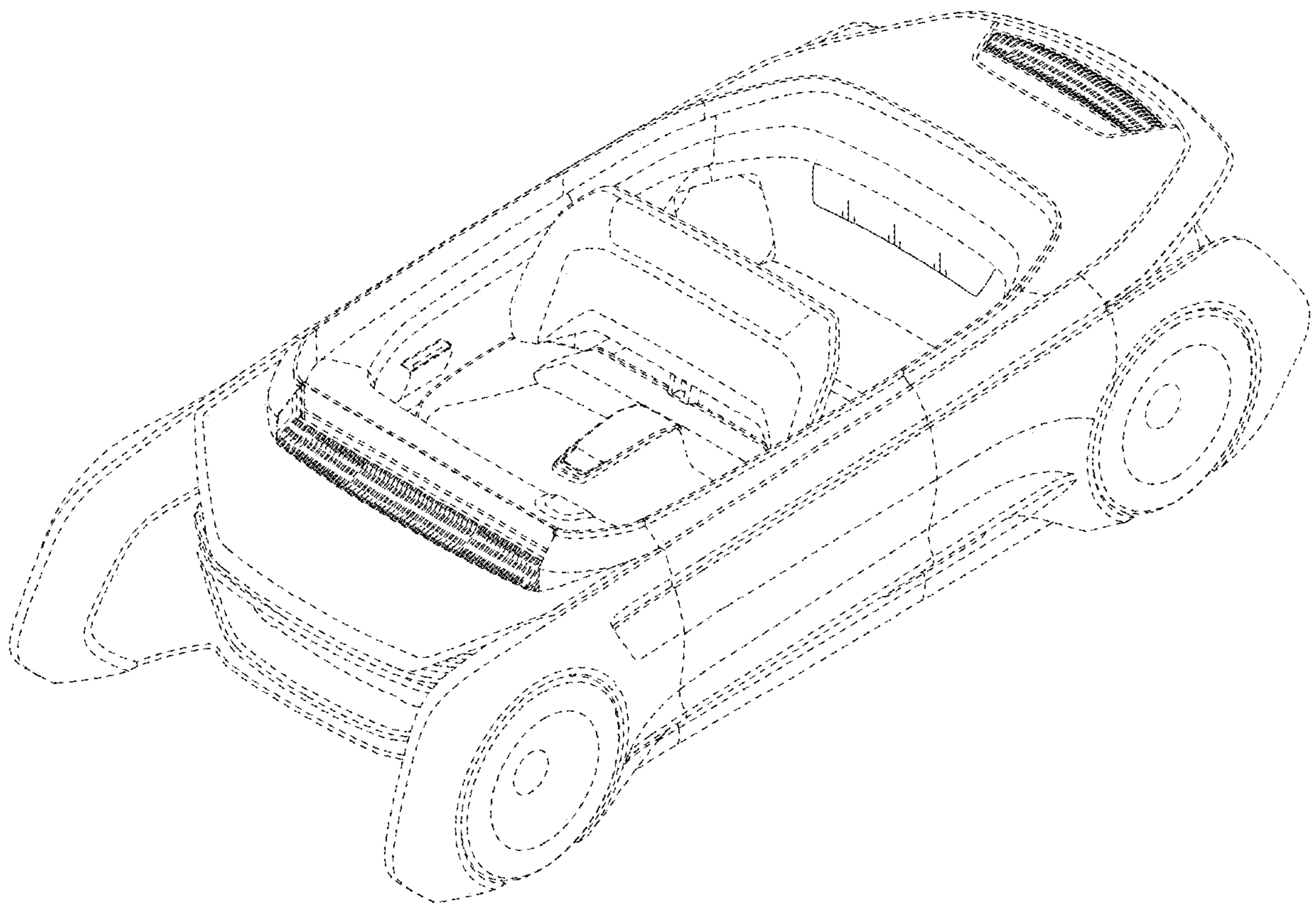
U.S. PATENT DOCUMENTS

5,143,337	A *	9/1992	Tomayko, Jr.	B60N 3/002 108/44
5,337,677	A *	8/1994	Peeno	A47B 13/16 108/45
5,820,194	A *	10/1998	Slayter	B60N 3/002 296/70
5,953,999	A *	9/1999	Kanehl	B60N 3/007 108/44

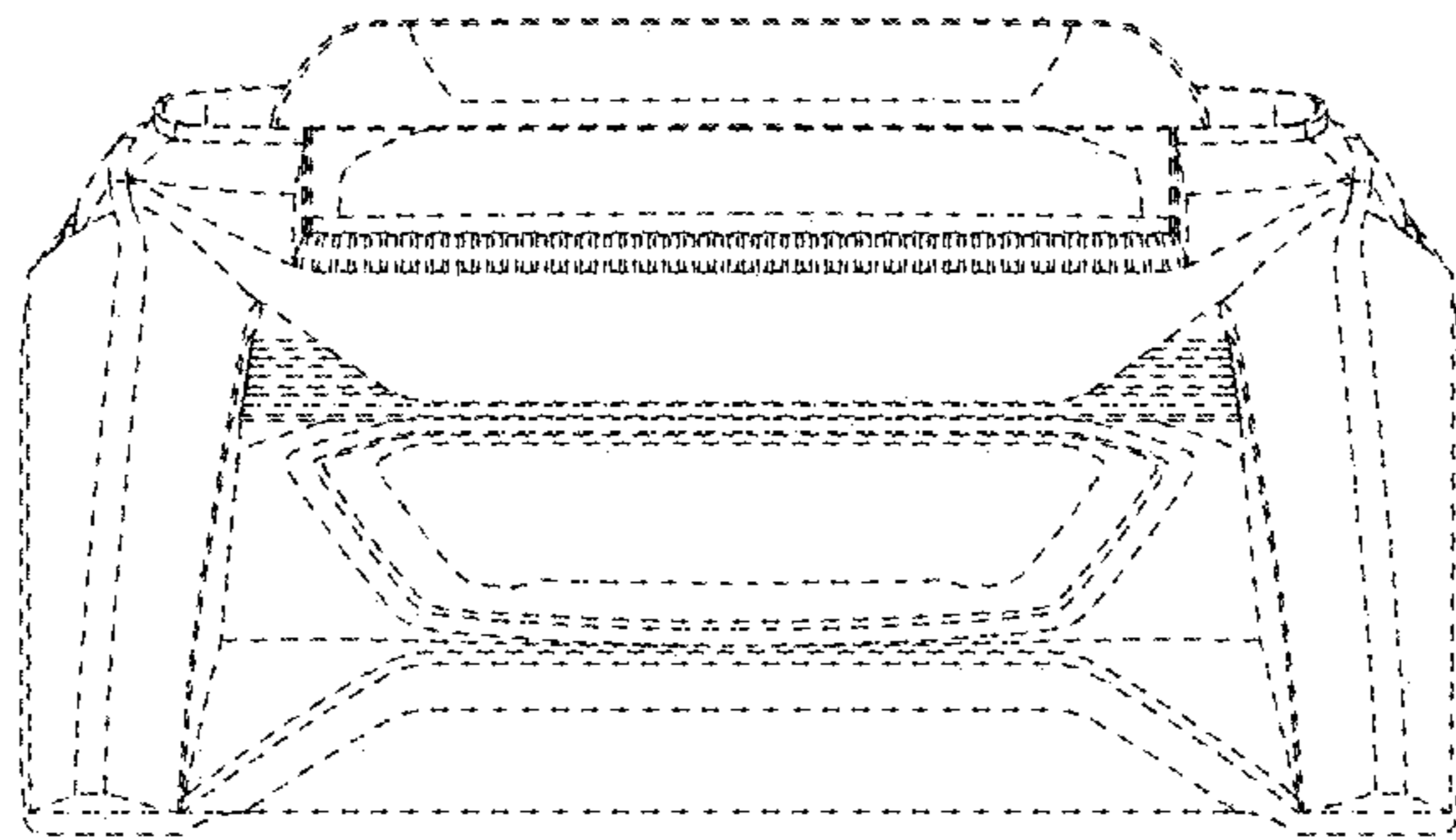
7,293,507	B2 *	11/2007	DePue	B60N 3/002 108/152
8,646,393	B2 *	2/2014	Souillac	B60N 3/002 108/45
9,084,491	B1 *	7/2015	Kattan	B60N 3/103
D879,015	S *	3/2020	Besley	D12/424
D900,689	S *	11/2020	Romain	D12/192
D913,173	S *	3/2021	Kim	D12/192
D913,174	S *	3/2021	Kim	D12/192
D913,199	S *	3/2021	Song	D12/415
D913,200	S *	3/2021	Kang	D12/415
D918,824	S *	5/2021	Kim	D12/418
2007/0029831	A1 *	2/2007	Frasure	B60R 9/00 296/37.6
2007/0176455	A1 *	8/2007	Kataoka	B60R 7/06 296/70
2009/0021039	A1 *	1/2009	Quigley	B60J 5/103 296/57.1
2011/0095557	A1 *	4/2011	Myers	B60N 3/102 296/37.8
2012/0043773	A1 *	2/2012	Lucas	B60R 19/48 293/106
2018/0266149	A1 *	9/2018	Giddings	E05B 83/28

* cited by examiner

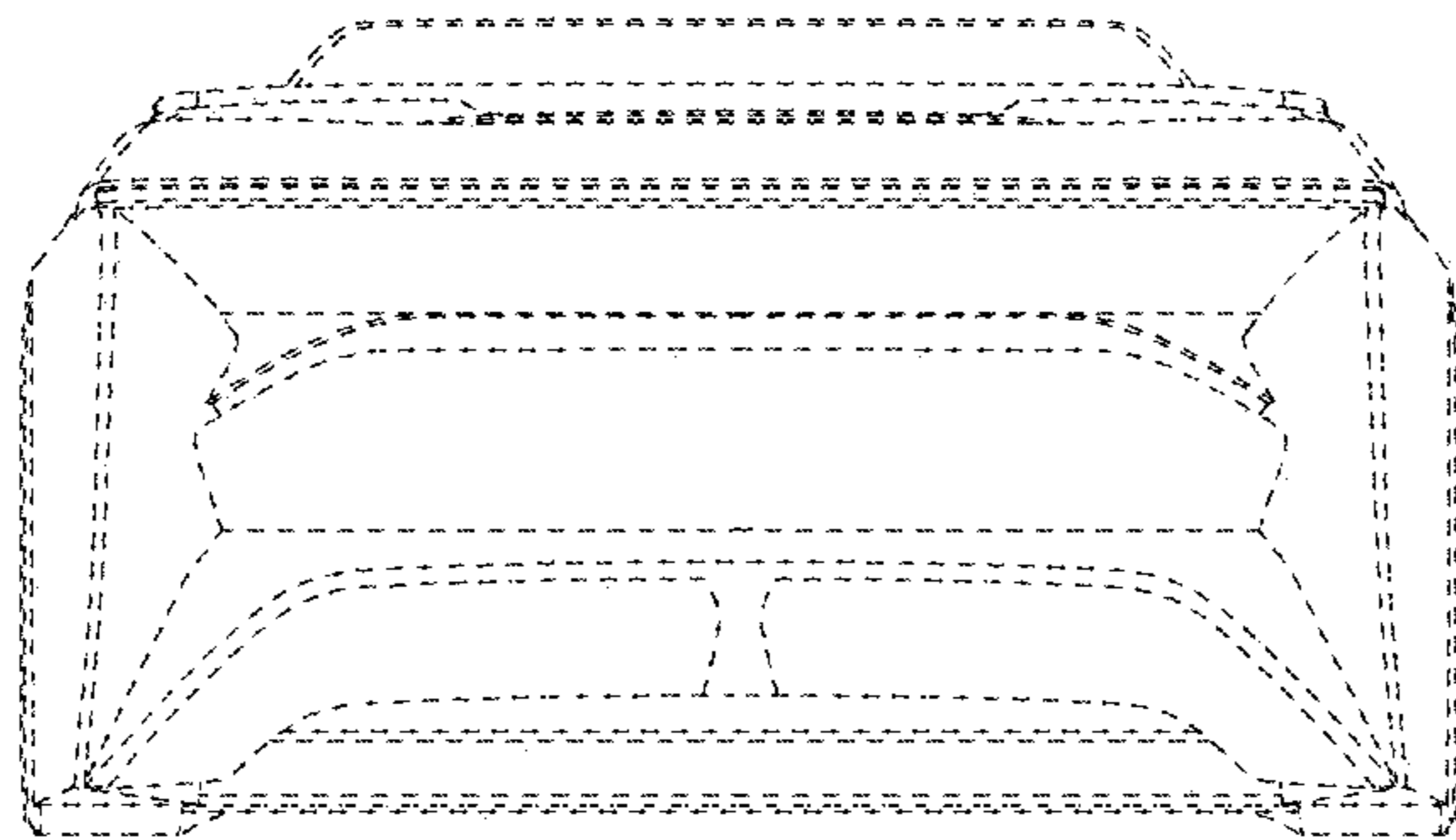
1. 1



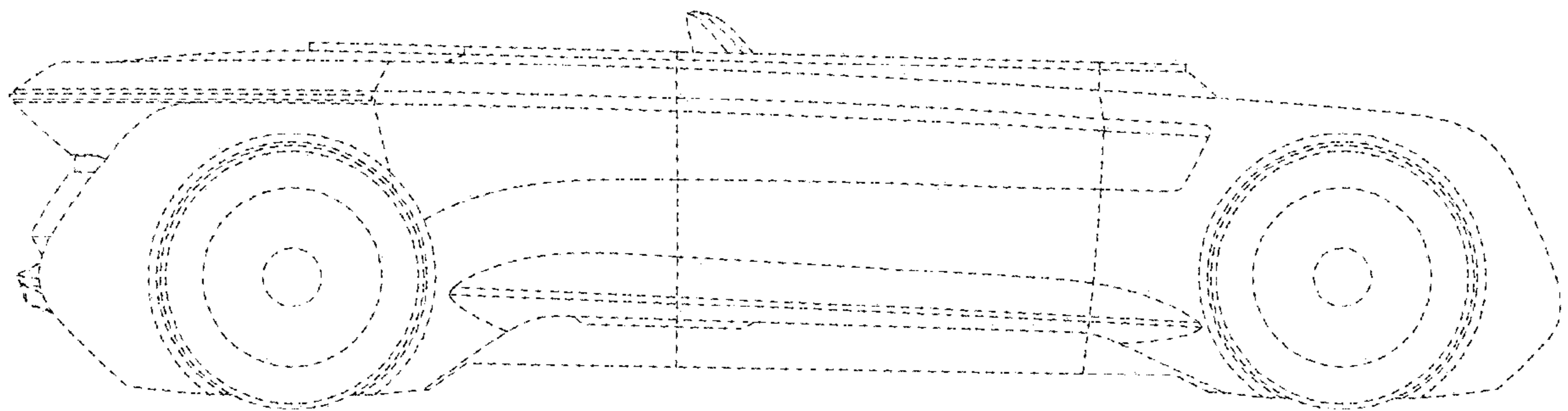
1. 2



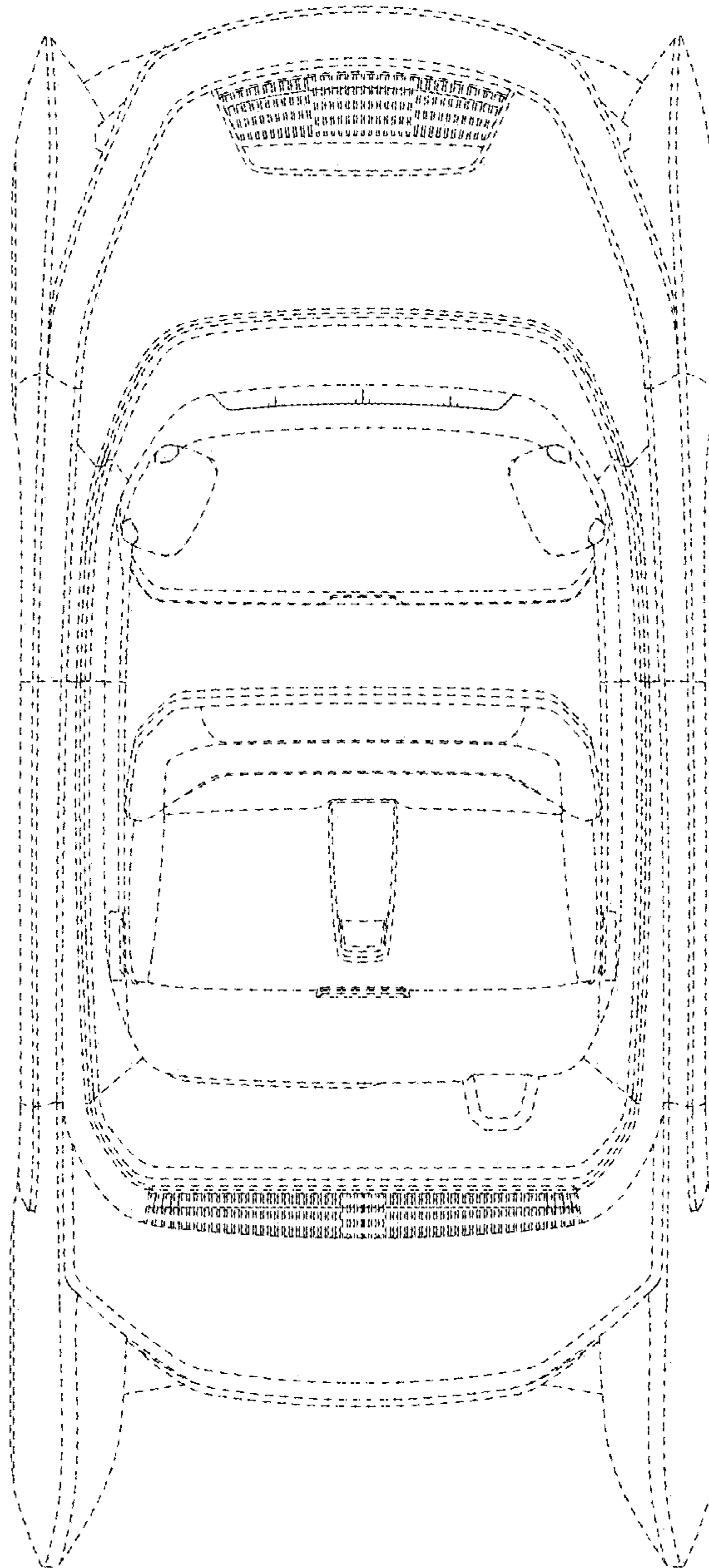
1. 3



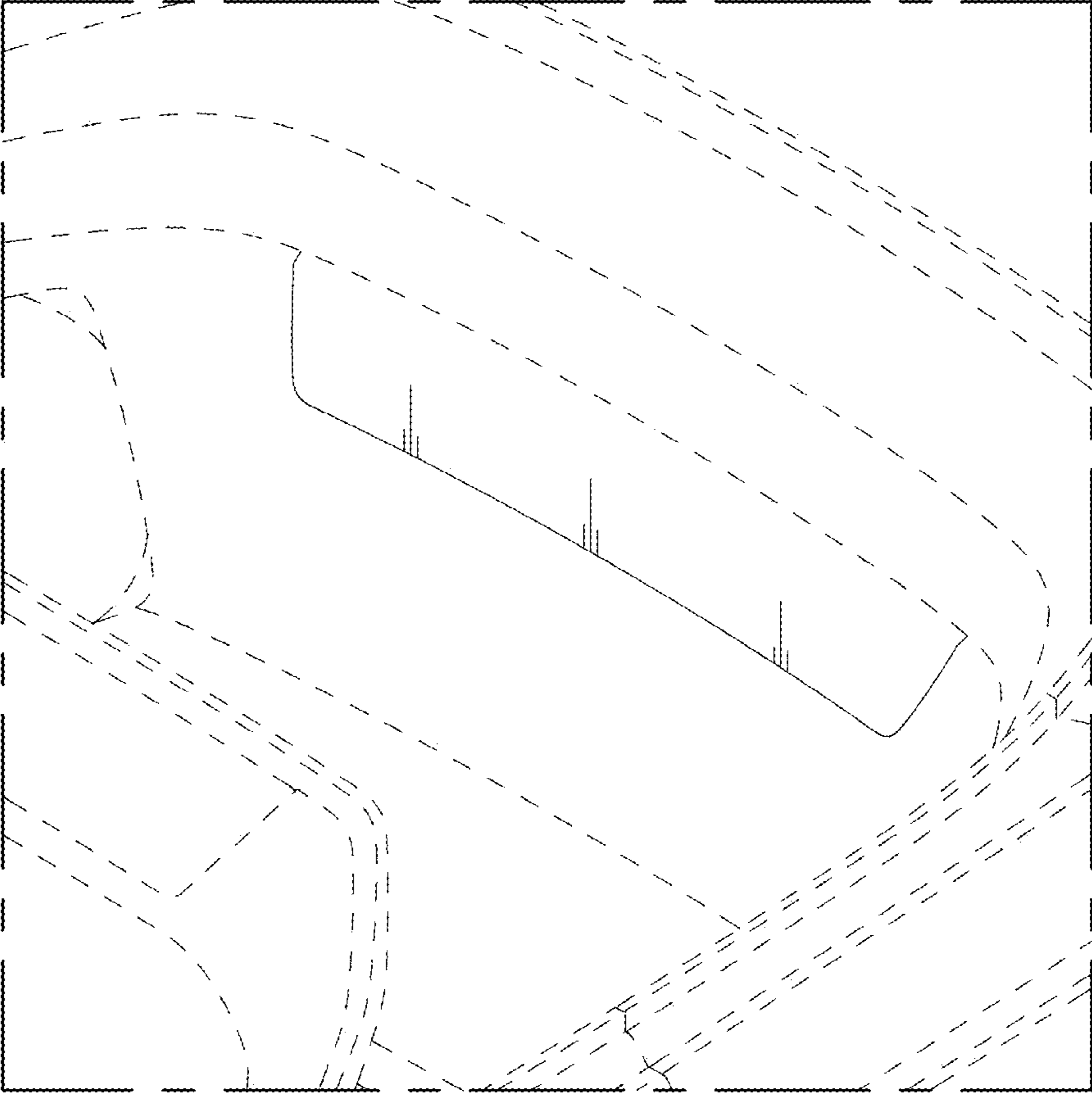
1. 4



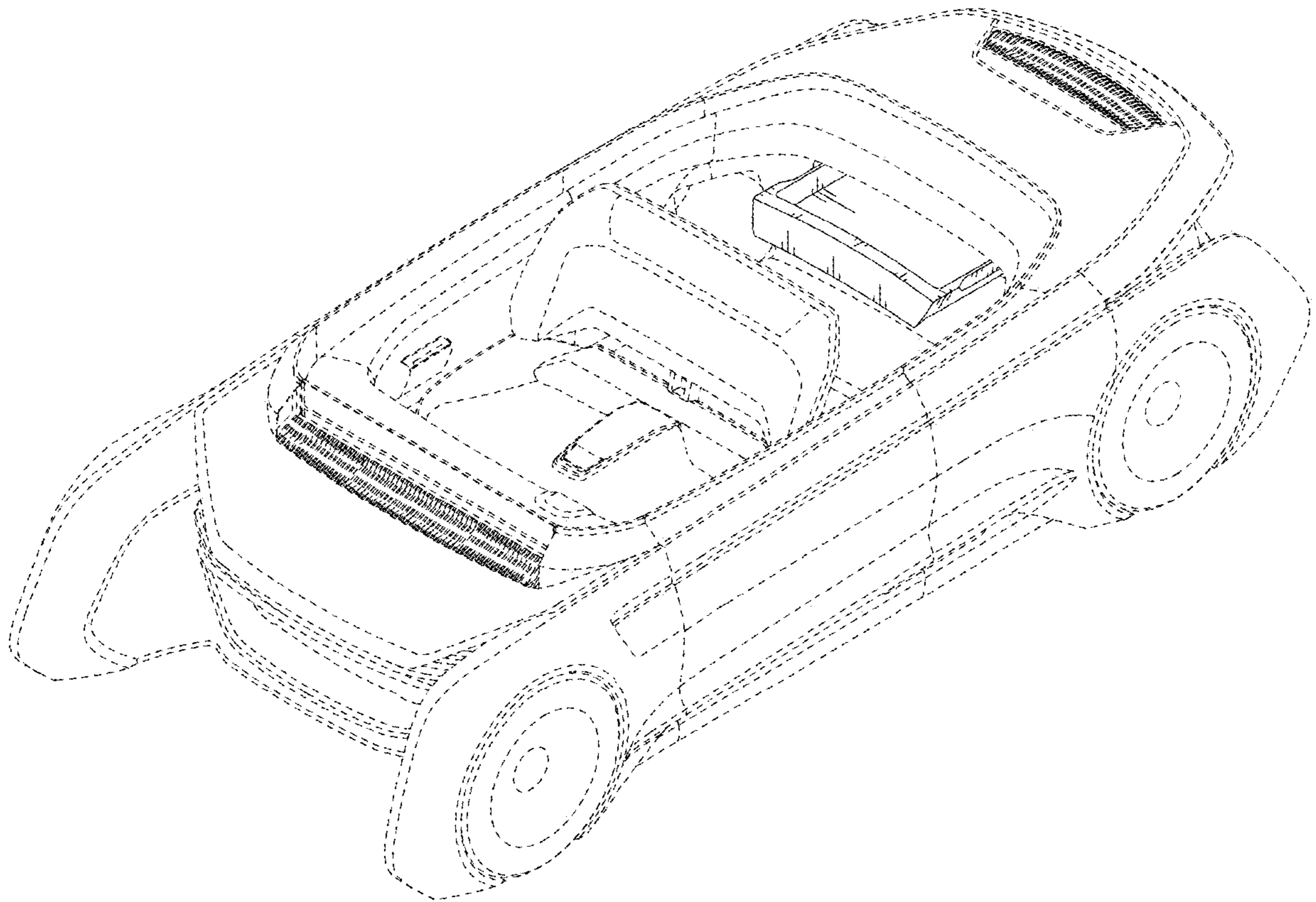
1. 5



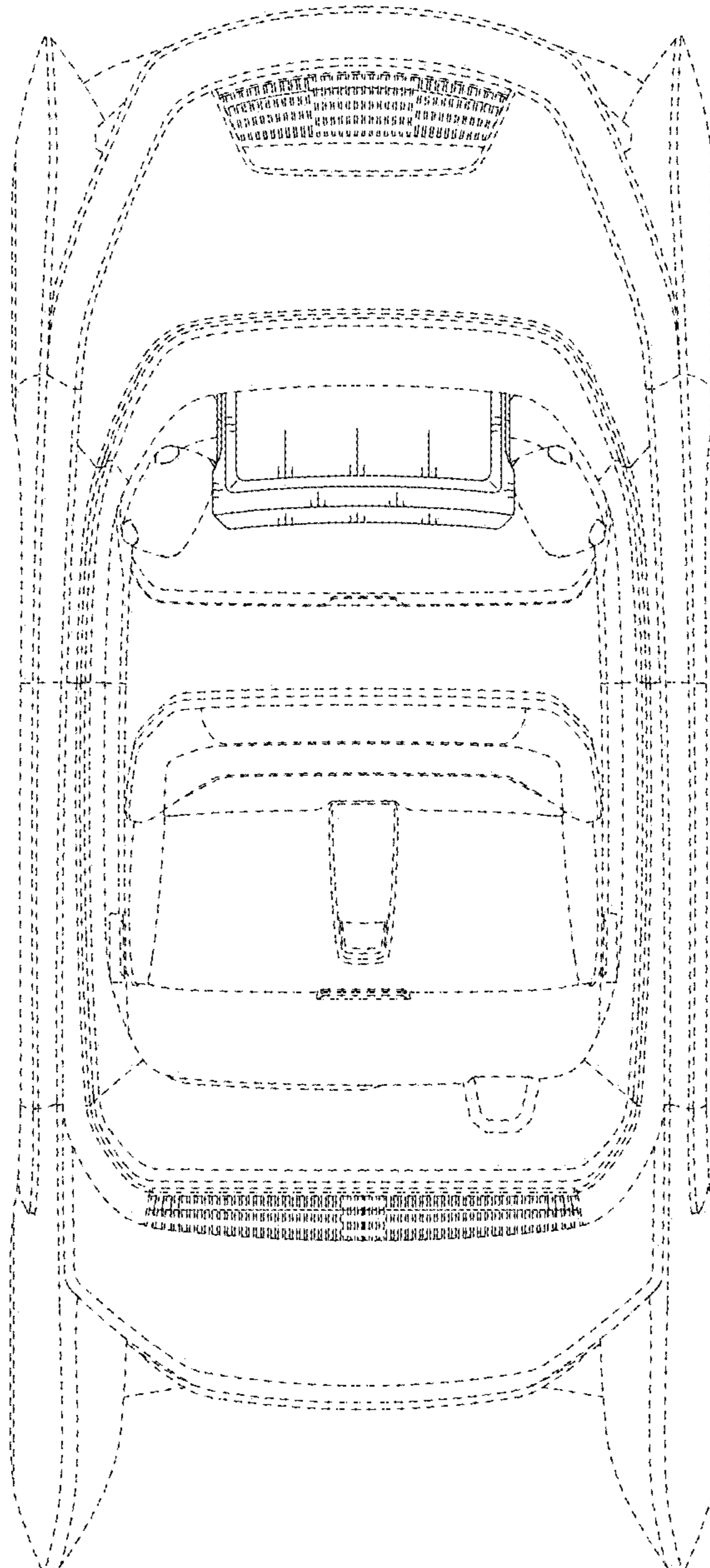
1. 6



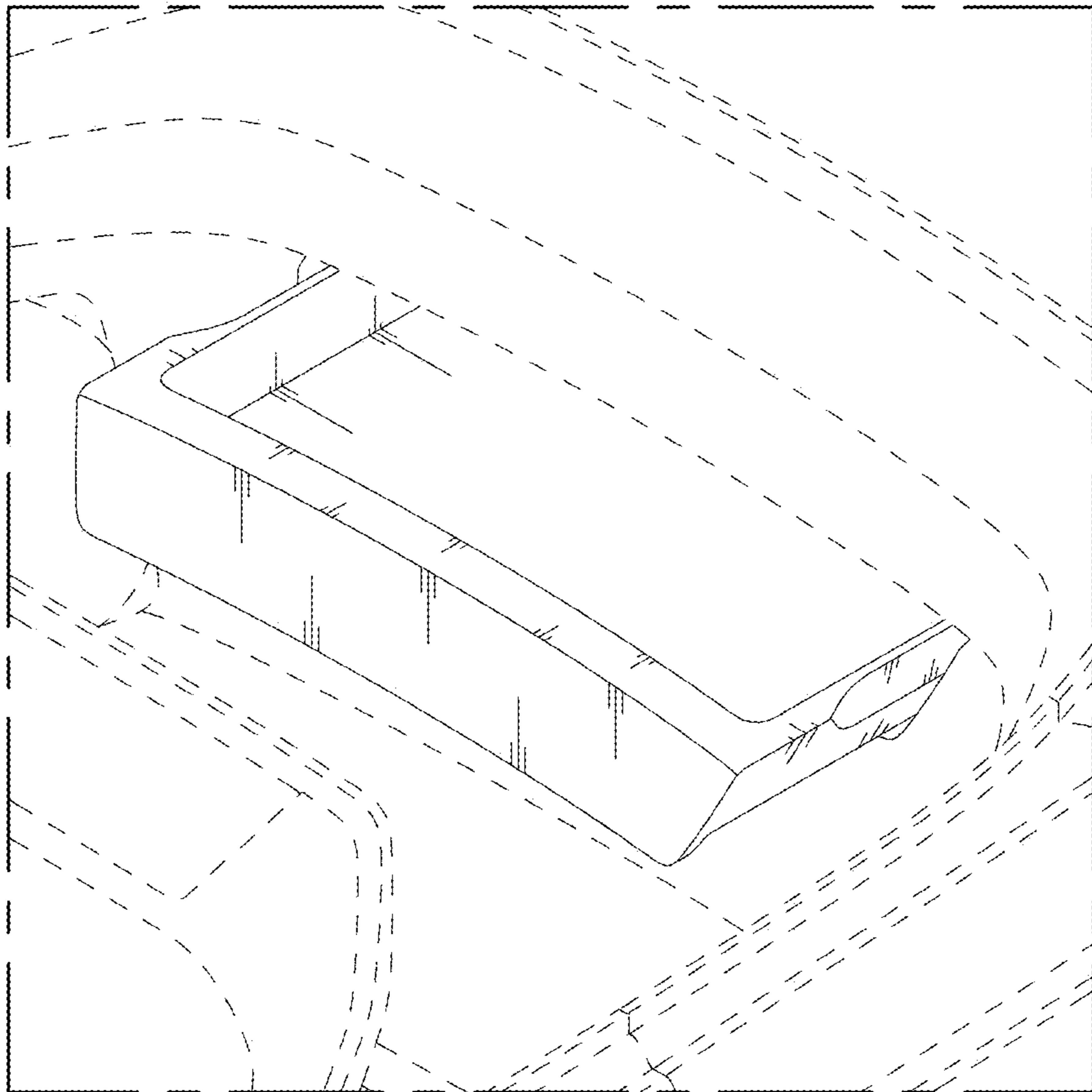
1. 7



1. 8



1. 9



1. 10

