



US00D941226S

(12) **United States Design Patent** (10) **Patent No.:** **US D941,226 S**  
**Slocum et al.** (45) **Date of Patent:** **\*\* Jan. 18, 2022**

(54) **DATA STORAGE DEVICE**

(71) Applicant: **L3Harris Technologies, Inc.**,  
Melbourne, FL (US)

(72) Inventors: **Daryl B. Slocum**, La Mesa, CA (US);  
**Jason D. Aiello**, Fairhaven, MA (US);  
**Douglas L. Veilleux, II**, Rochester, MA  
(US); **Cagdas Altin**, Warren, RI (US)

(73) Assignee: **L3HARRIS TECHNOLOGIES, INC.**,  
Melbourne, FL (US)

(\*\*) Term: **15 Years**

(21) Appl. No.: **29/698,023**

(22) Filed: **Jul. 12, 2019**

(51) **LOC (13) Cl.** ..... **12-06**

(52) **U.S. Cl.**

USPC ..... **D12/317**; D12/400; D14/357

(58) **Field of Classification Search**

USPC ..... D14/356, 358, 432, 434, 447, 149, 168,  
D14/217, 224, 224.1, 238.1, 251, 252,  
D14/253, 125, 126, 239, 357; D13/107,  
D13/108, 146; D12/308, 317, 400;  
D10/46, 104.1, 106.1, 121

CPC ..... G06F 1/16; G06F 1/1626; G06F 1/1632;  
G06F 1/1675; G06F 1/1688; F16M 11/10;  
F16M 11/24; H05K 5/0234; H04M 1/04

See application file for complete search history.

(56) **References Cited**

**U.S. PATENT DOCUMENTS**

D189,618 S \* 1/1961 Noyes ..... D14/357  
D223,349 S \* 4/1972 Minas ..... D16/238  
D229,515 S \* 12/1973 Salsgiver ..... D10/46  
D232,941 S \* 9/1974 Davis, Jr. .... D10/46  
D233,063 S \* 10/1974 Sederquist ..... D99/34  
D268,150 S \* 3/1983 Hauser ..... D6/675.4

D276,315 S \* 11/1984 Collister ..... D10/46  
D310,036 S \* 8/1990 Bird ..... D10/46  
D310,515 S \* 9/1990 Bianco ..... D14/371  
D362,685 S \* 9/1995 Perkitny ..... D19/75  
D453,731 S \* 2/2002 Hauptli ..... D13/108  
D479,238 S \* 9/2003 Brown ..... D14/357  
D516,022 S \* 2/2006 Winkler ..... D13/108  
D752,013 S \* 3/2016 Benedetti ..... D14/204  
D788,060 S \* 5/2017 Kwak ..... D14/149  
D798,636 S \* 10/2017 Van Landingham, Jr. ....  
D6/677.4  
D813,240 S \* 3/2018 Yeruva ..... D14/434

\* cited by examiner

*Primary Examiner* — Angela J Lee

*Assistant Examiner* — Rebekah A Caruso

(74) *Attorney, Agent, or Firm* — Workman Nydegger

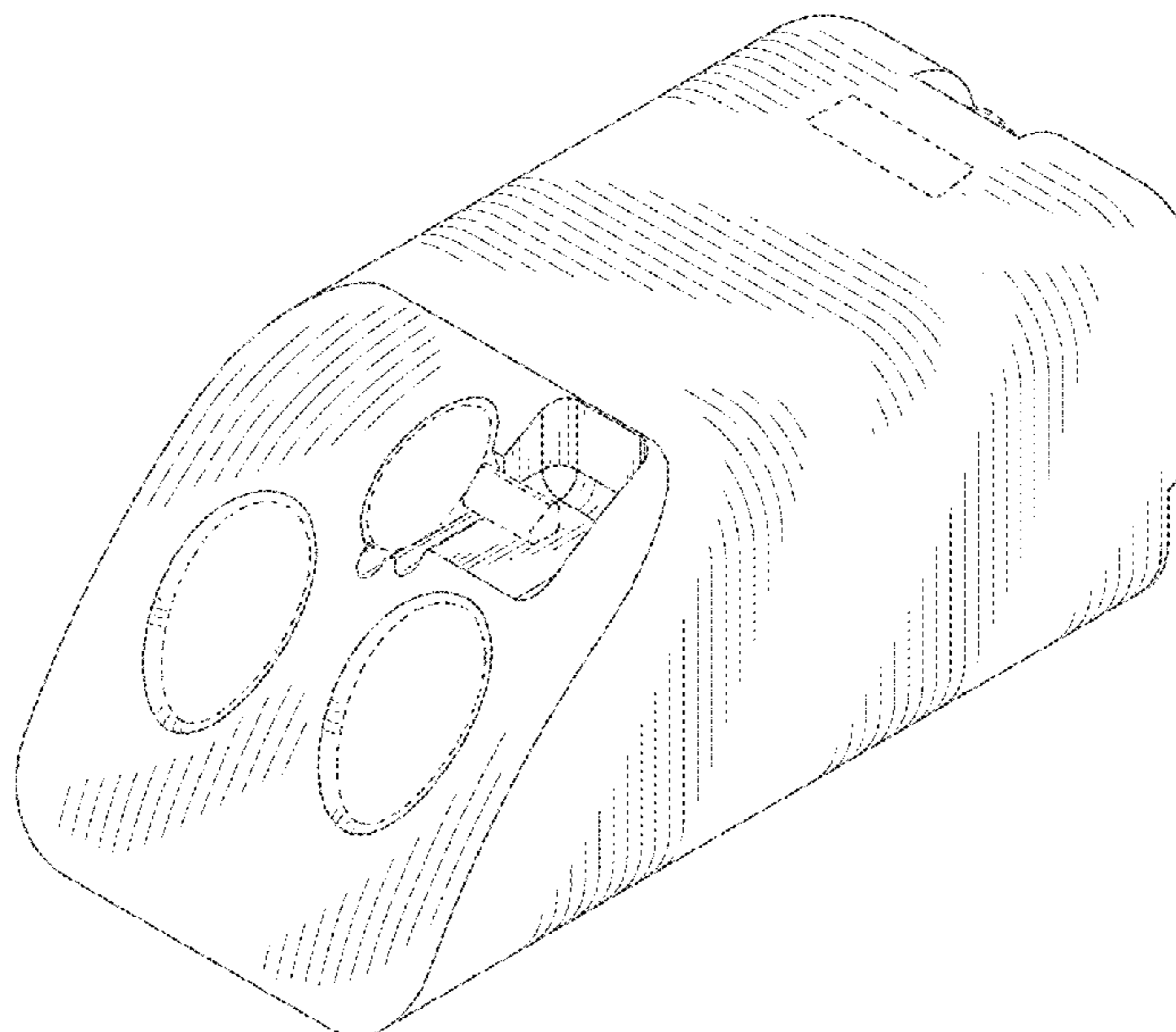
(57) **CLAIM**

The ornamental design for a data storage device, as shown and described.

**DESCRIPTION**

FIG. 1 is a top, front, right perspective view of our new design for a data storage device;  
FIG. 2 is a front elevation view thereof;  
FIG. 3 is a rear elevation view thereof;  
FIG. 4 is a top plan view thereof;  
FIG. 5 is a bottom plan view thereof;  
FIG. 6 is a right side elevation view thereof;  
FIG. 7 is a left side elevation view thereof;  
FIG. 8 is a bottom, rear, right perspective view thereof;  
FIG. 9 is a top, front, left perspective view thereof shown in an exemplary use environment; and,  
FIG. 10 is a top, front, left perspective view thereof shown in an exemplary use environment.  
The broken lines in the drawings represent subject matter that forms no part of the claimed design.

**1 Claim, 6 Drawing Sheets**



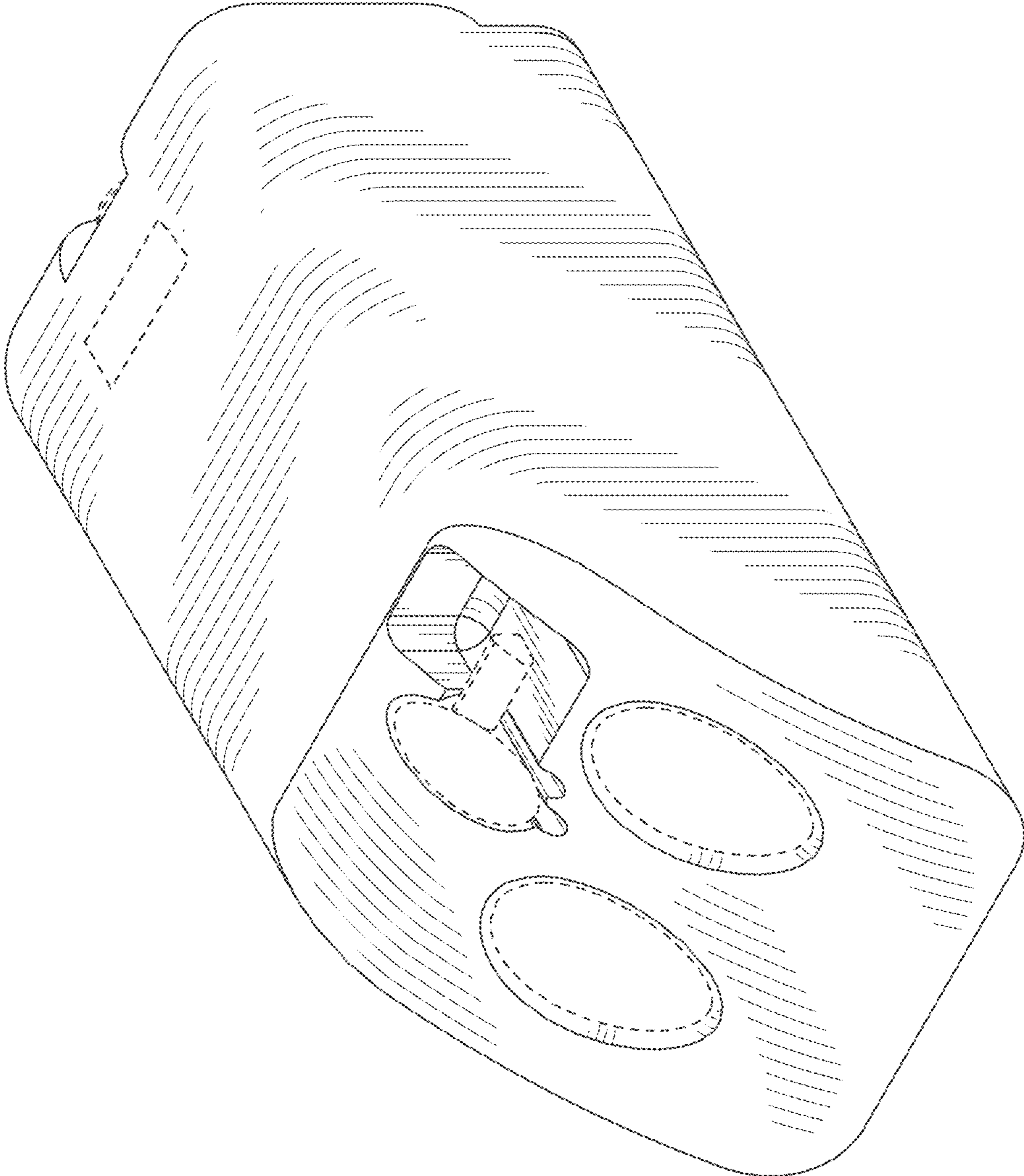
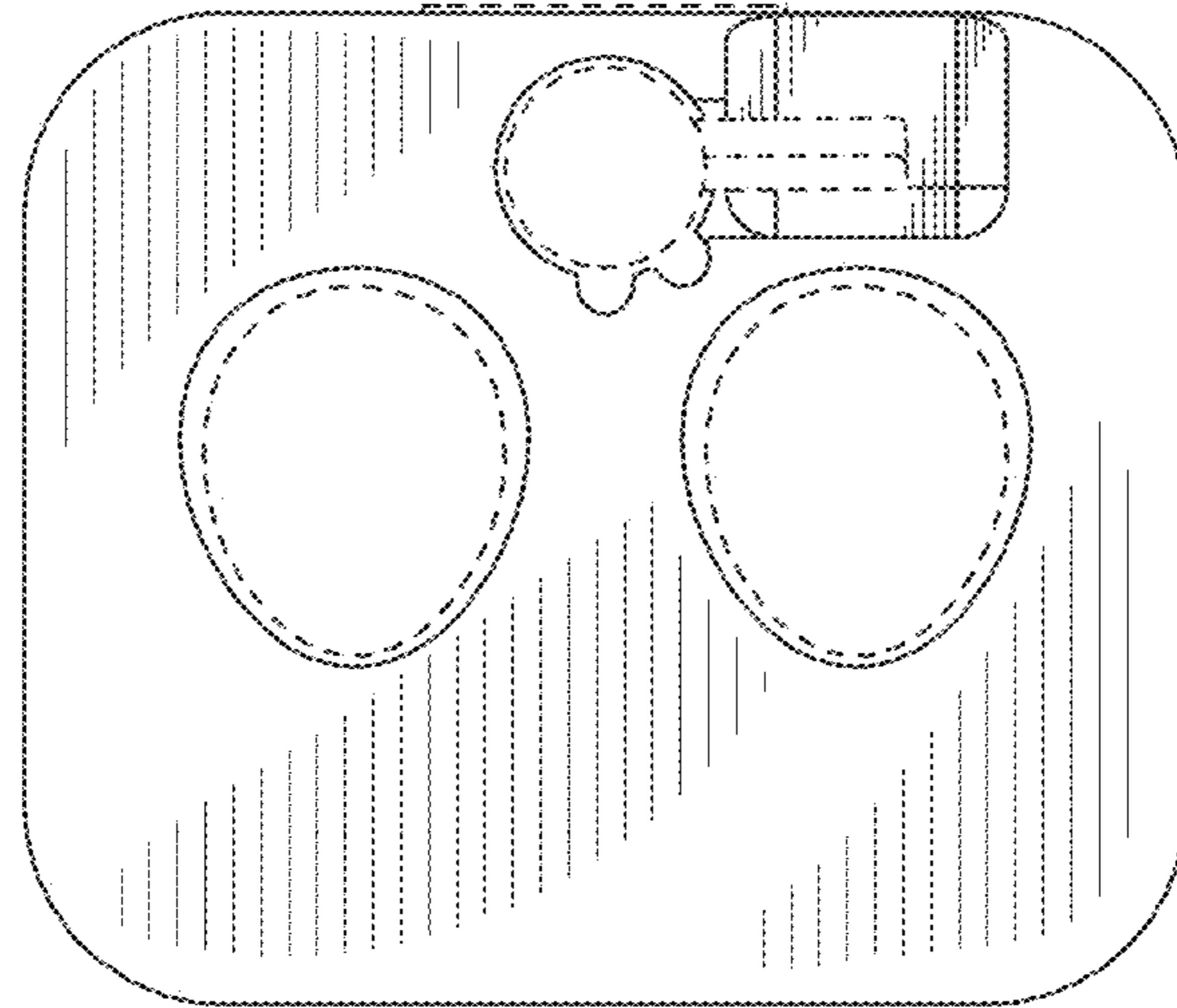
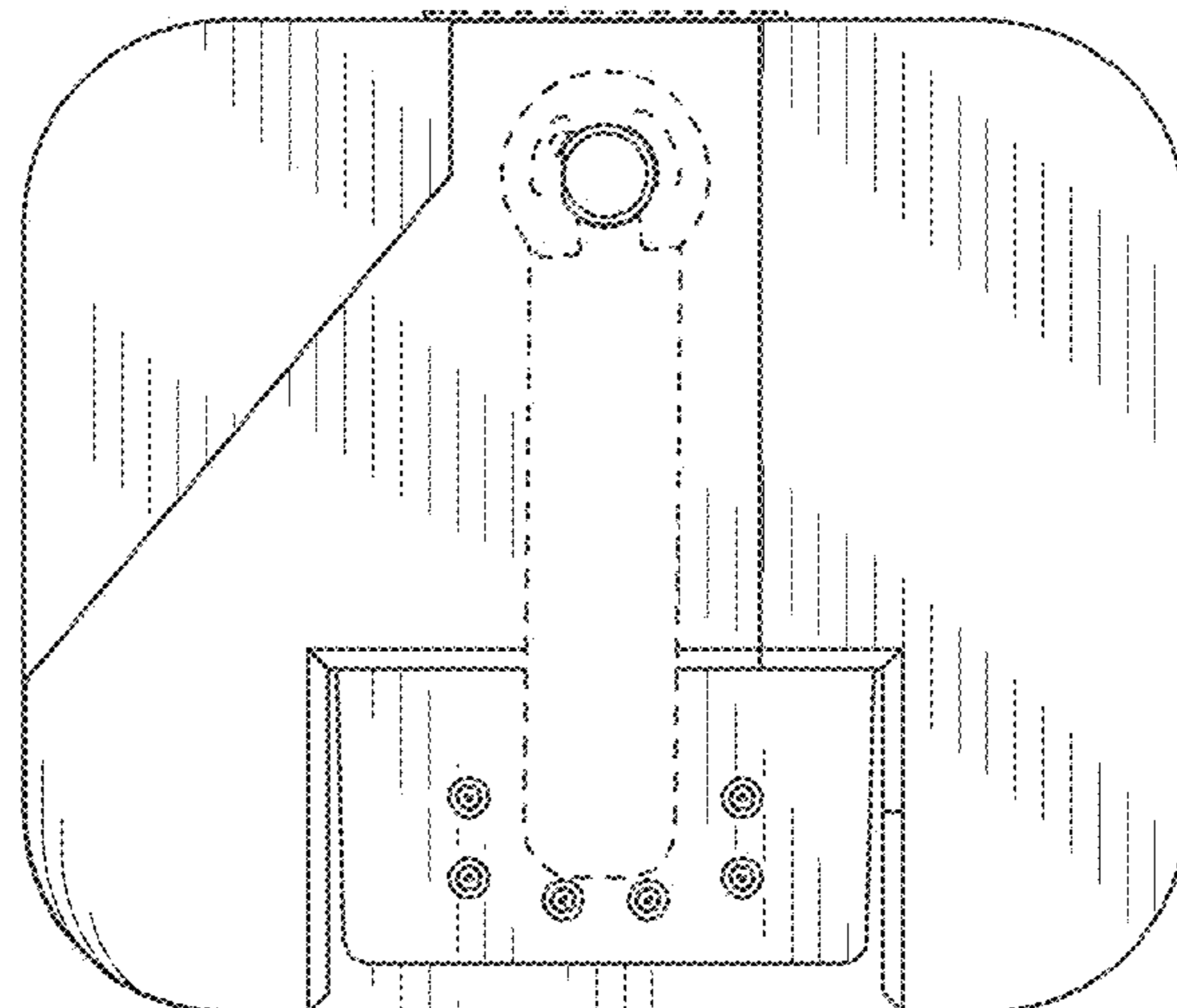


FIG. 1



**FIG. 2**



**FIG. 3**

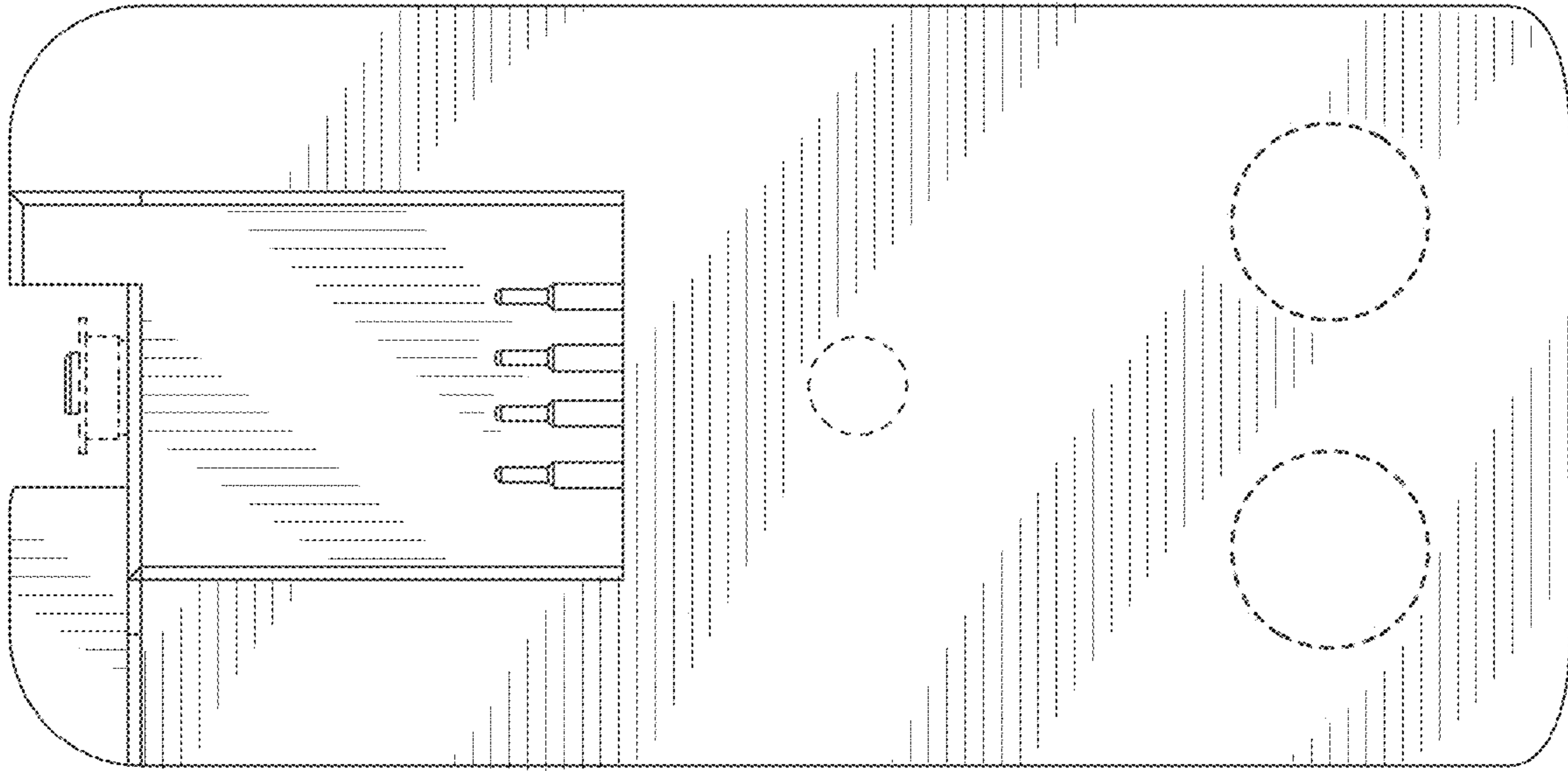


FIG. 5

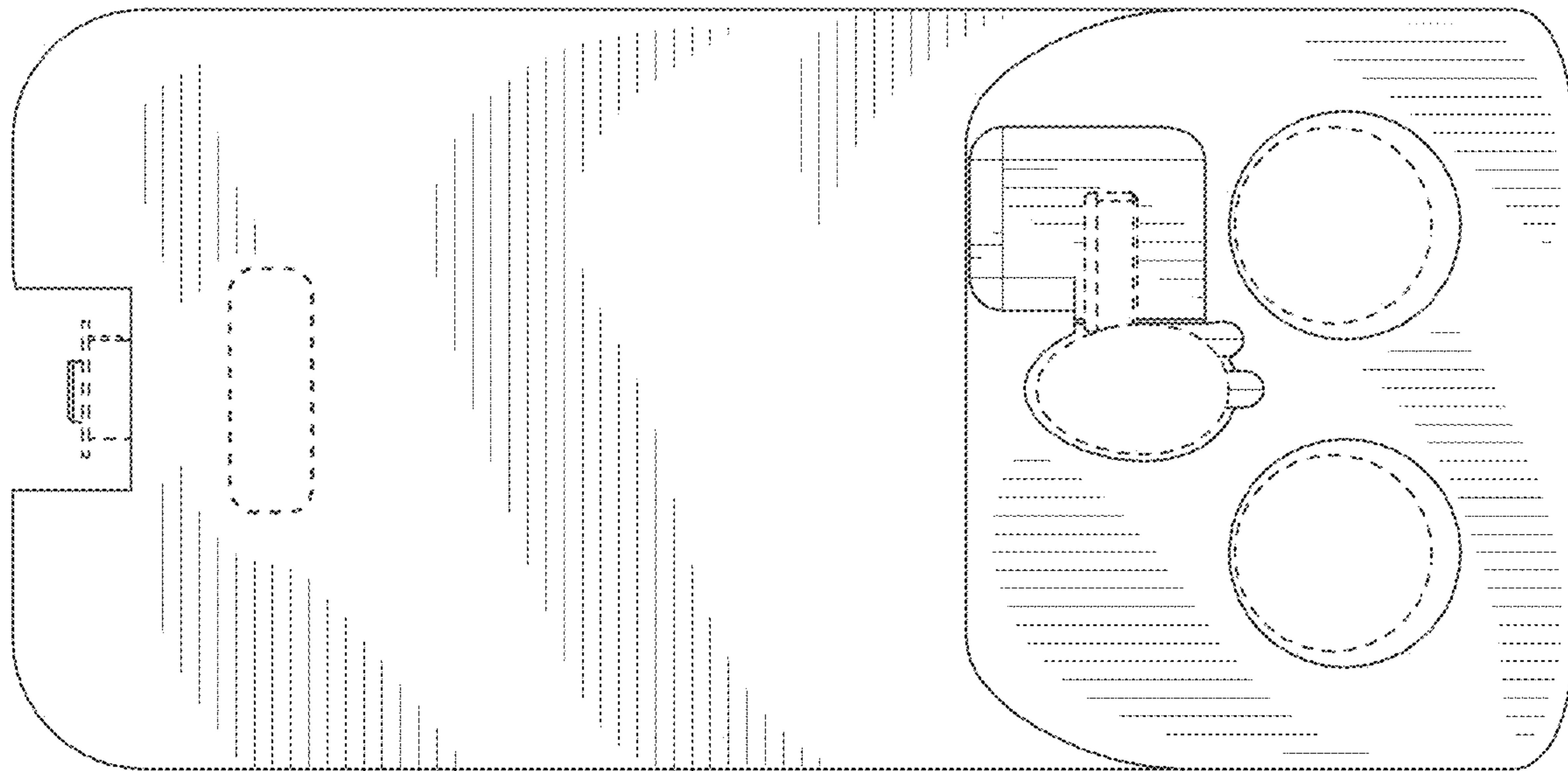


FIG. 4

FIG. 6

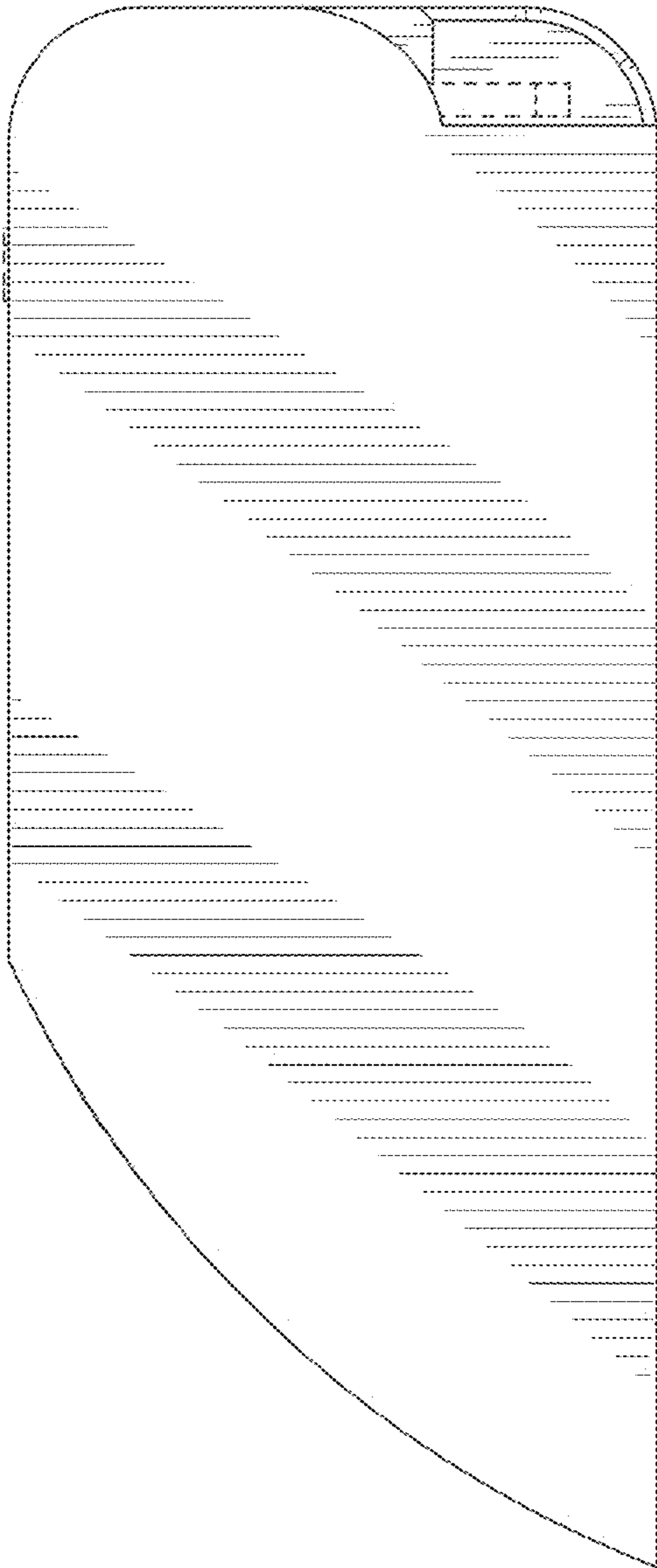
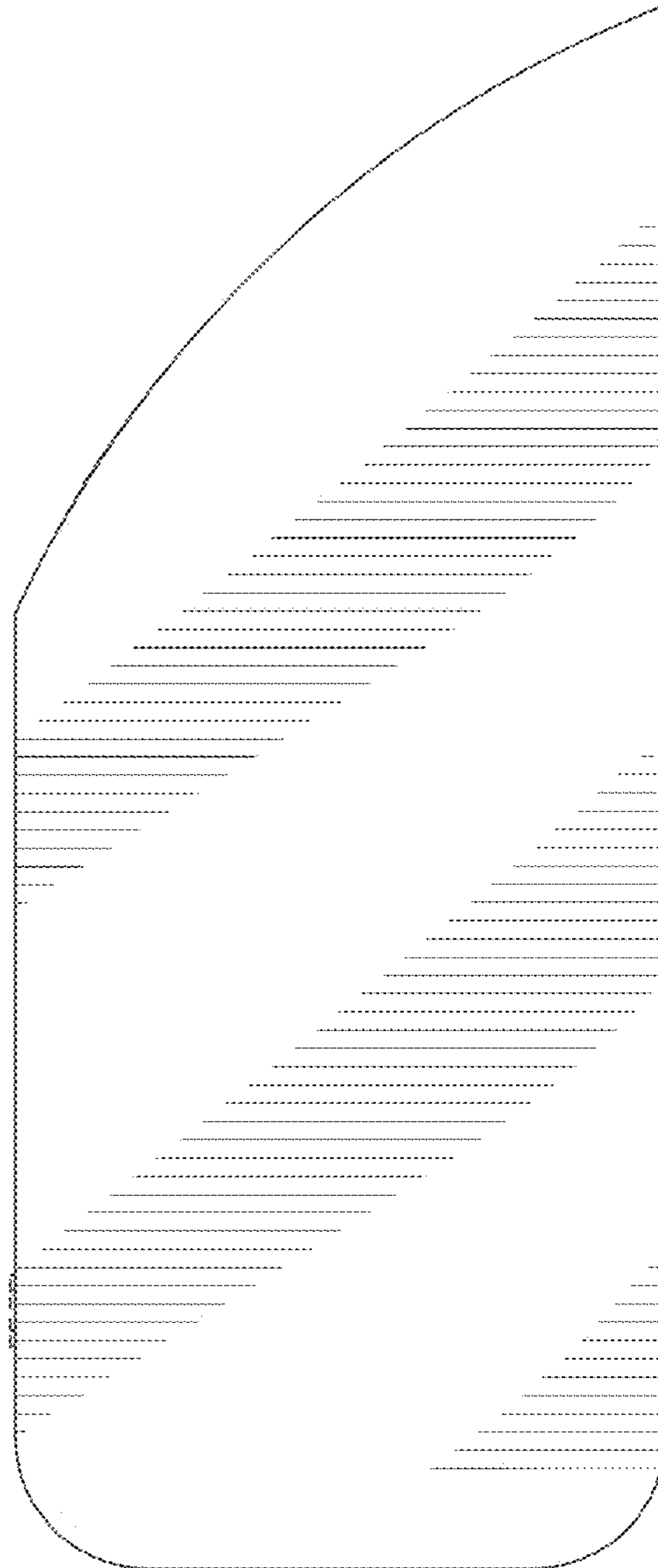


FIG. 7



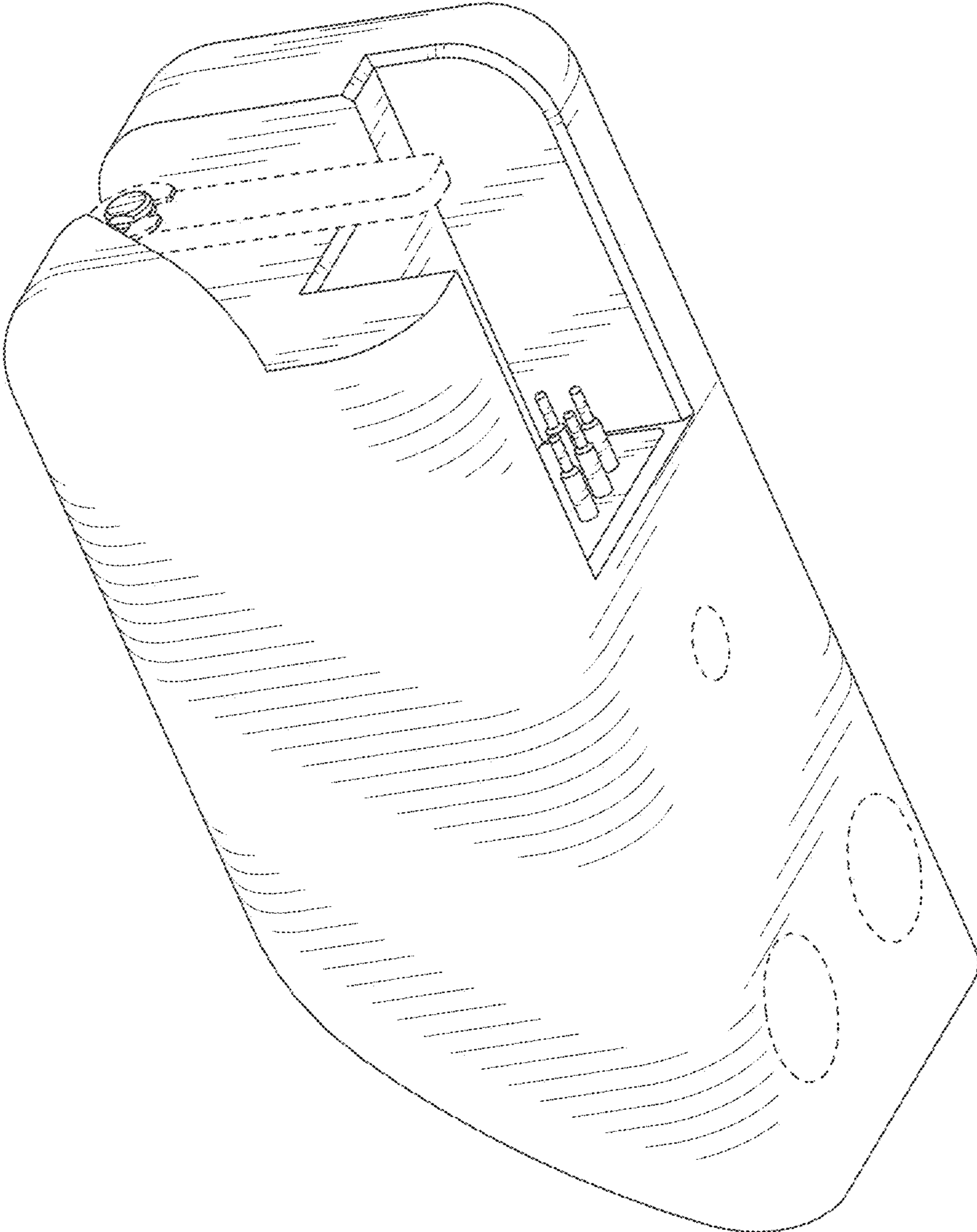


FIG. 8

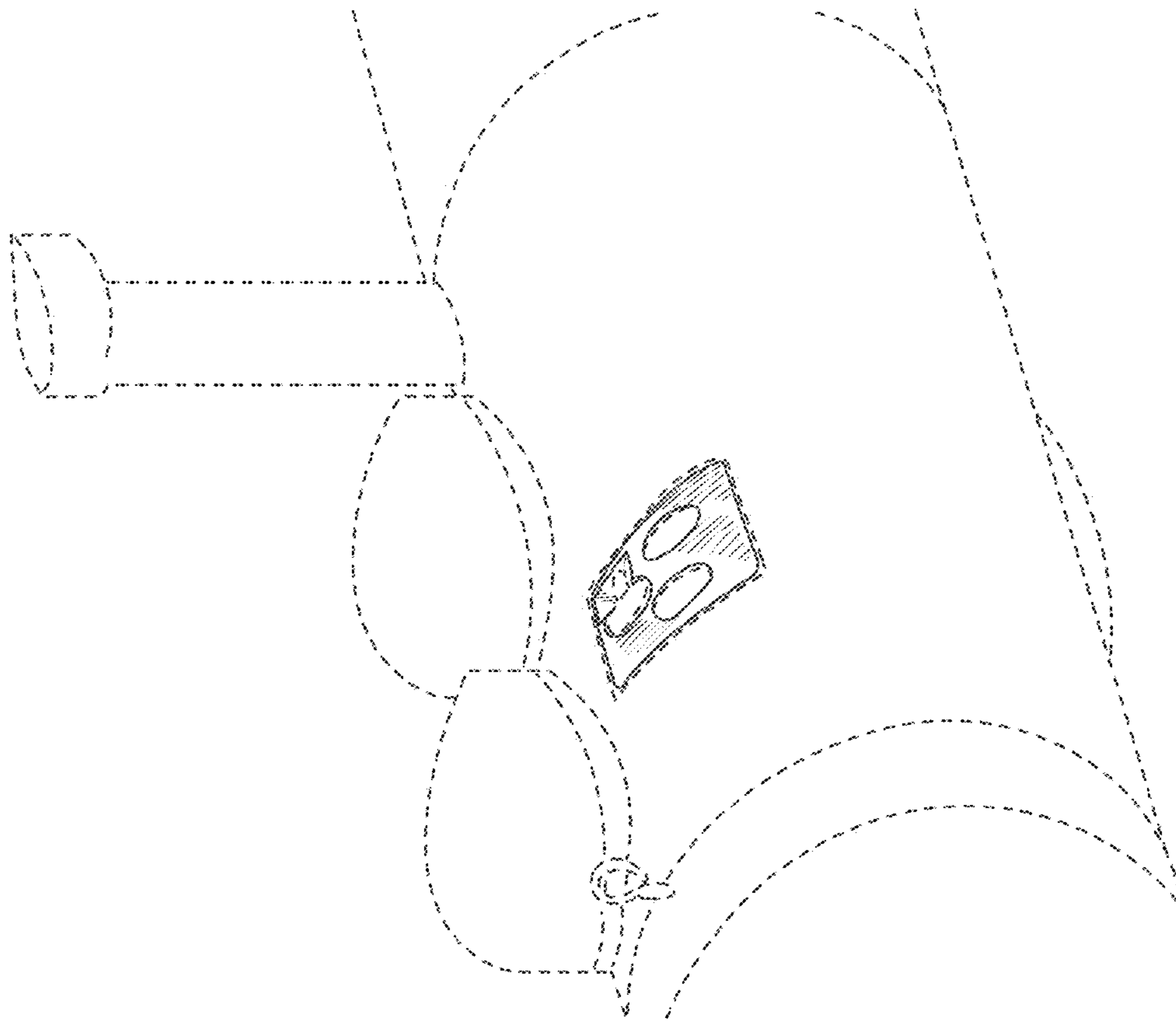


FIG. 10

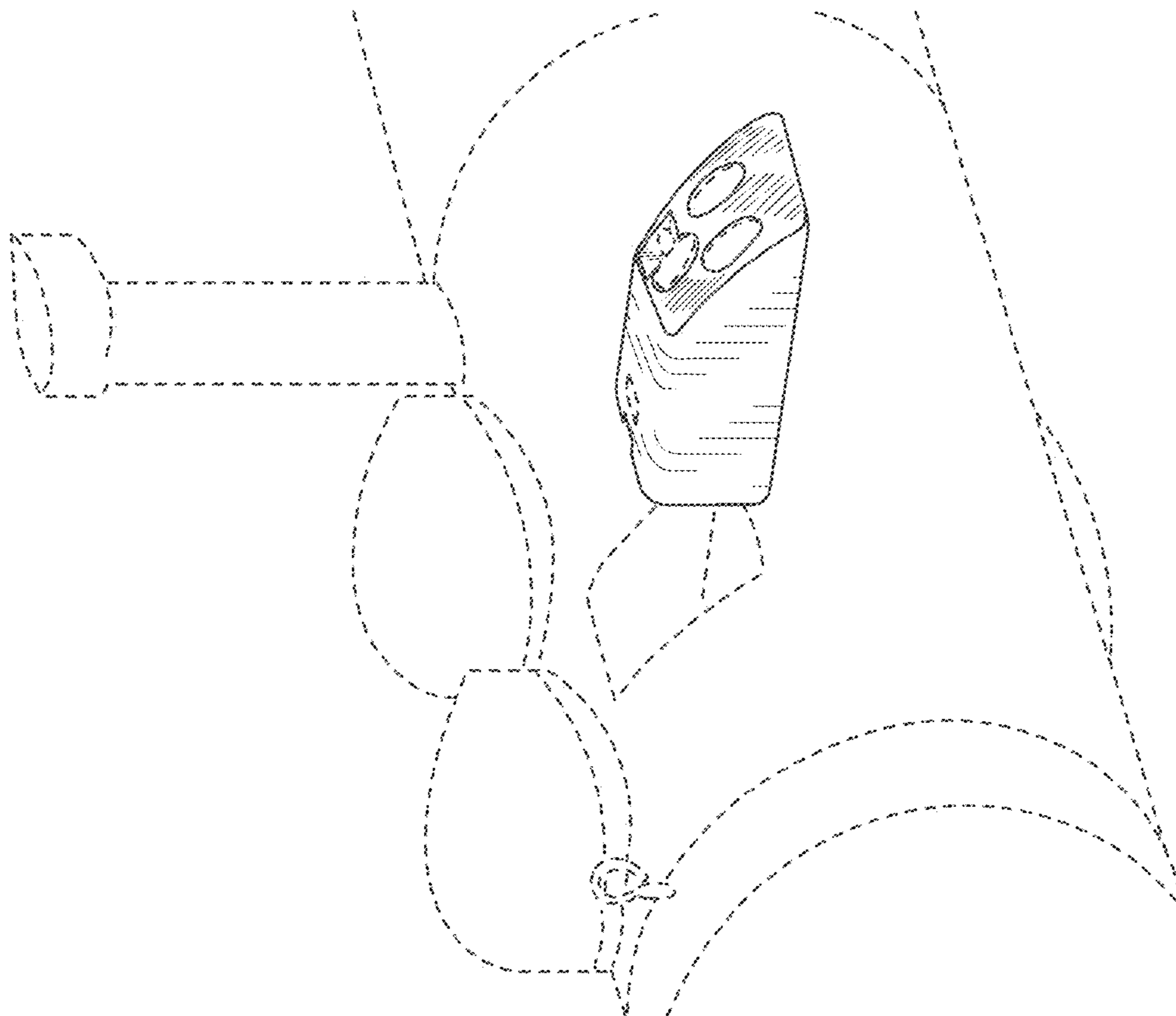


FIG. 9