



US00D941221S

(12) **United States Design Patent**  
**Mukti**

(10) **Patent No.:** **US D941,221 S**

(45) **Date of Patent:** **\*\* Jan. 18, 2022**

- (54) **VEHICLE WHEEL CAP**
- (71) Applicant: **Quarsa, LLC**, Chino, CA (US)
- (72) Inventor: **Ali Mukti**, Surabaya (ID)
- (73) Assignee: **Quarsa, LLC**, Chino, CA (US)
- (\*\*) Term: **15 Years**
- (21) Appl. No.: **29/705,160**
- (22) Filed: **Sep. 10, 2019**
- (51) **LOC (13) Cl.** ..... **12-16**
- (52) **U.S. Cl.**  
USPC ..... **D12/213**
- (58) **Field of Classification Search**  
USPC ..... D12/204-213; D21/563  
CPC .... B60B 7/00; B60B 7/02; B60B 7/04; B60B 7/01; B60B 7/06; B60B 3/02; B60B 3/04; B60B 3/06; B60B 3/10; B60B 1/00; B60B 1/08; B60B 1/10; B60B 1/12  
See application file for complete search history.

D751,489 S *	3/2016	Chung	.....	D12/213
D761,183 S *	7/2016	Bennett	.....	B60B 7/04
				D12/213
D784,240 S *	4/2017	Platto	.....	D12/213
D798,218 S *	9/2017	Platto	.....	D12/213
D803,137 S *	11/2017	Platto	.....	D12/213
D838,228 S *	1/2019	Chung	.....	D12/213
D852,715 S *	7/2019	Ash	.....	D12/213
D858,417 S *	9/2019	Woodhouse	.....	D12/213
D860,105 S *	9/2019	Moore	.....	D12/213
D885,296 S *	5/2020	Hale, Jr.	.....	D12/213
D904,965 S *	12/2020	Horlick	.....	D12/213
D911,246 S *	2/2021	Licklitter	.....	D12/213
D922,929 S *	6/2021	Ranum	.....	D12/213
2010/0194181 A1 *	8/2010	Noriega	.....	B60B 1/06
				301/37.26

\* cited by examiner

*Primary Examiner* — Stacia A Cadmus

(74) *Attorney, Agent, or Firm* — Snell & Wilmer L.L.P.

(57) **CLAIM**

I claim the ornamental design for a vehicle wheel cap, as shown and described.

**DESCRIPTION**

FIG. 1 is a front perspective view of the vehicle wheel cap showing my new design;

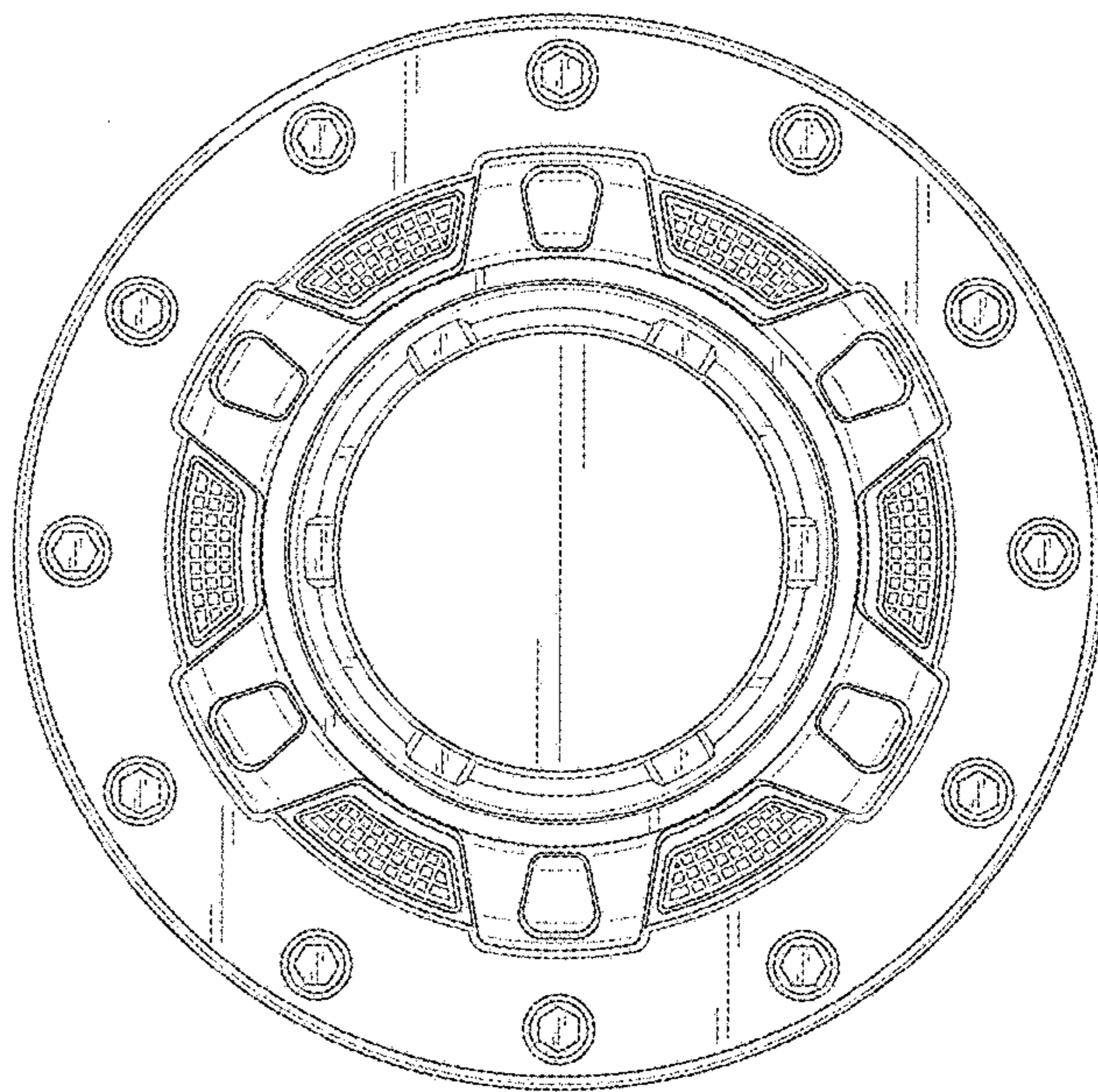
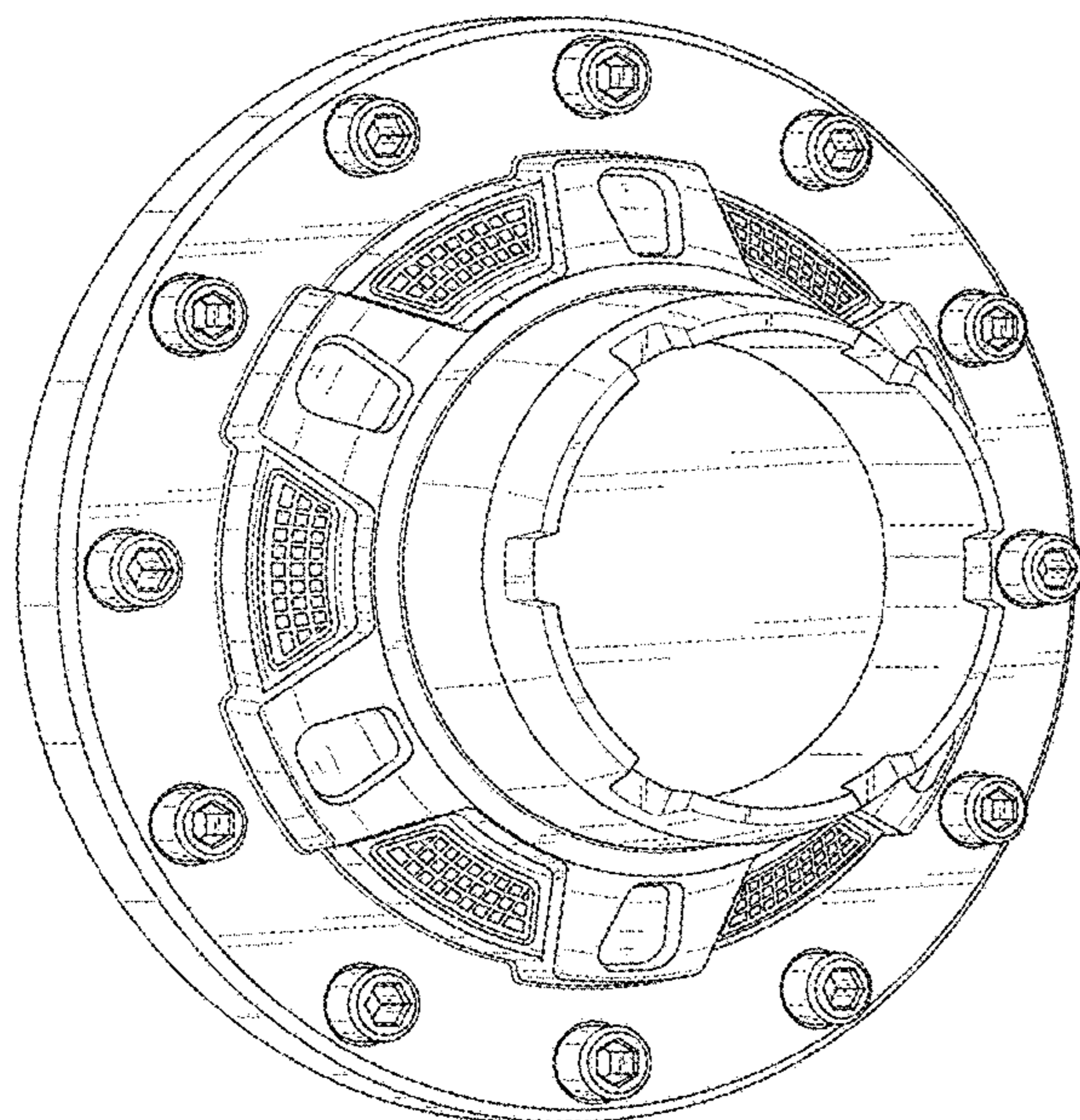
FIG. 2 is a top perspective view of the vehicle wheel cap of FIG. 1; and,

FIG. 3 is a front view of the vehicle wheel cap of FIG. 1.

**1 Claim, 3 Drawing Sheets**

(56) **References Cited**  
U.S. PATENT DOCUMENTS

D498,447 S *	11/2004	Kato	.....	D12/207
D662,869 S *	7/2012	Ballard	.....	D12/213
D702,174 S *	4/2014	Gordon	.....	D12/213
D751,022 S *	3/2016	Chung	.....	D12/213



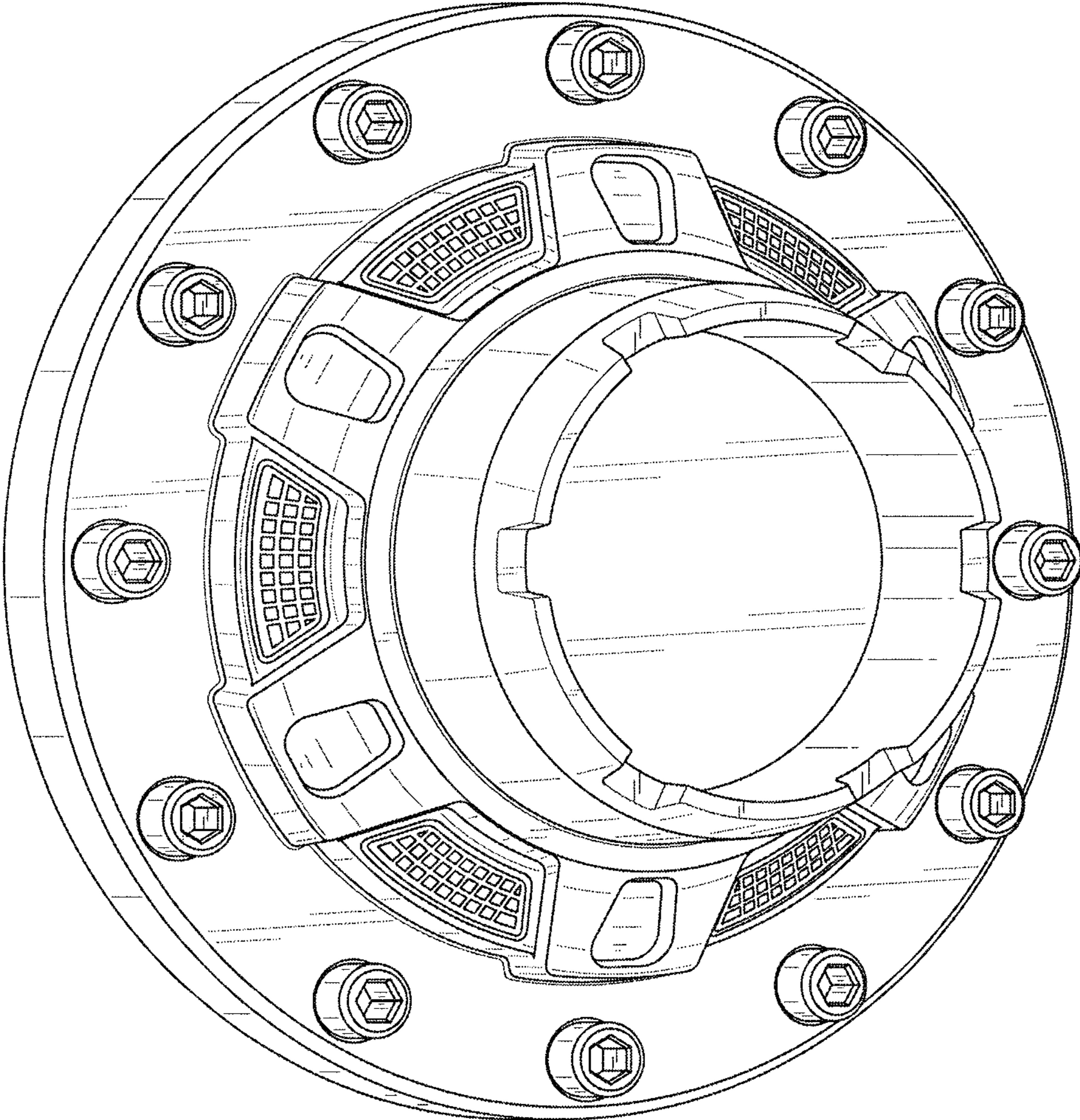


FIG. 1

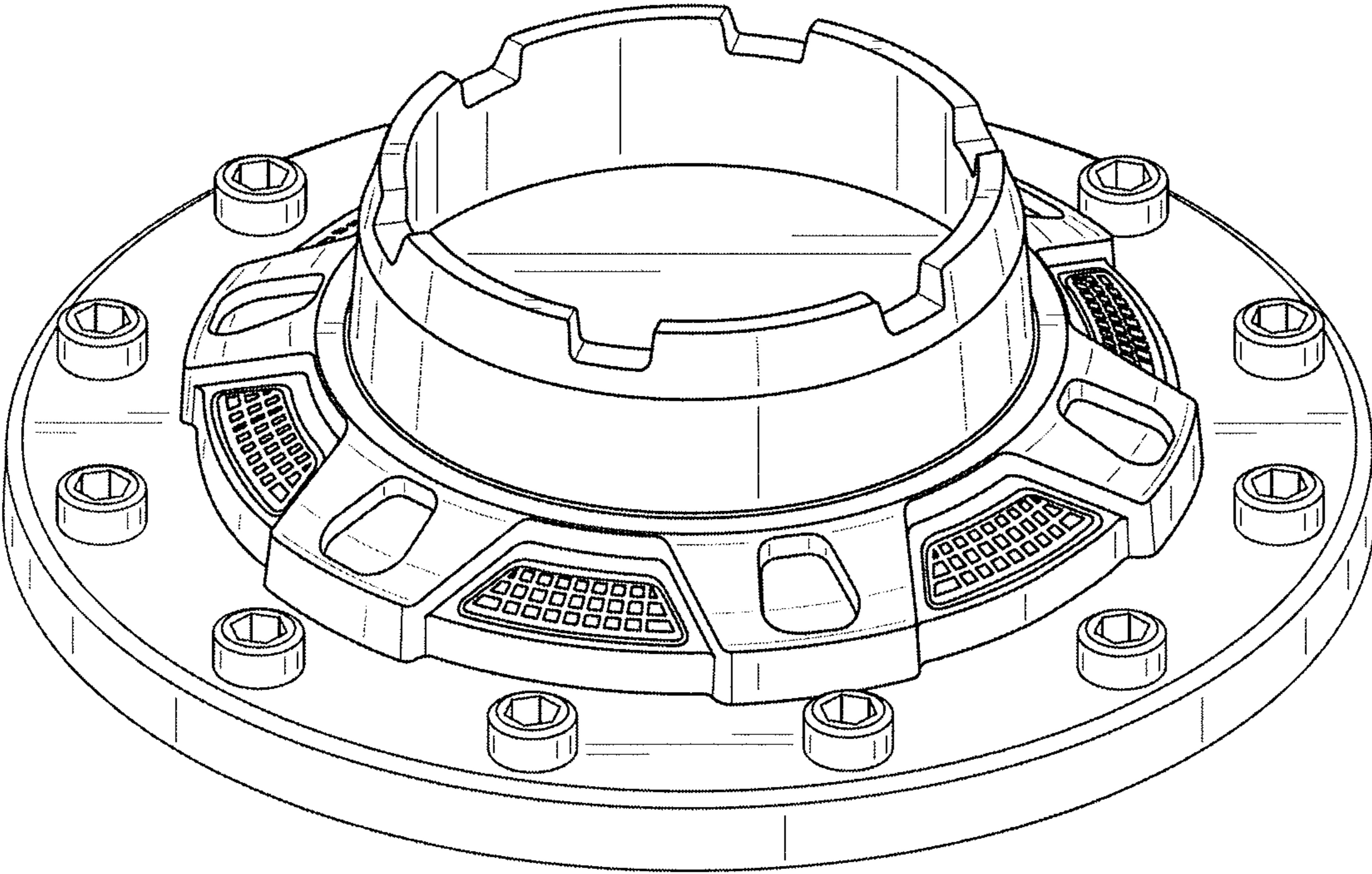


FIG. 2

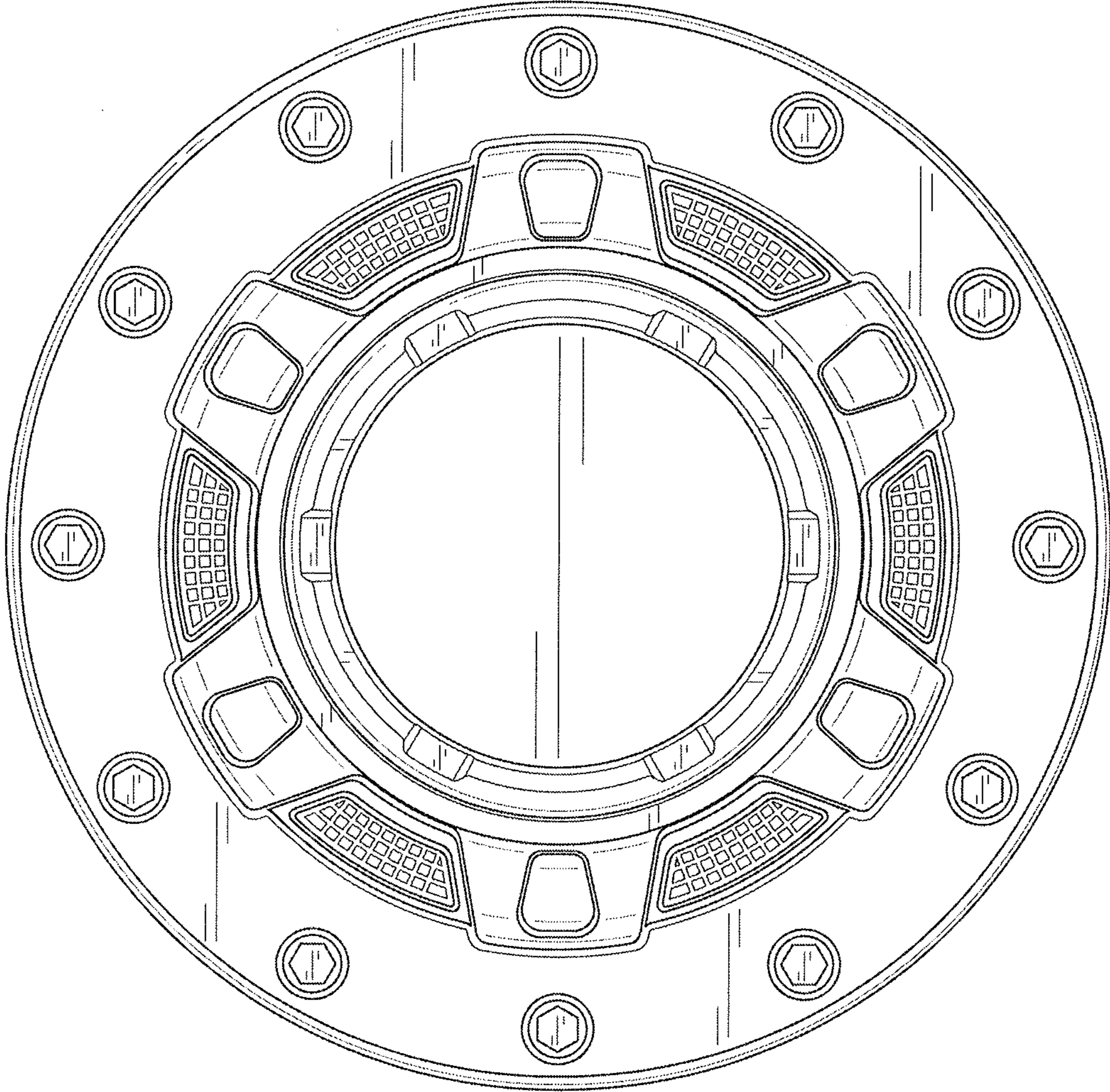


FIG. 3