



US00D941212S

(12) **United States Design Patent**
Hans et al.

(10) **Patent No.:** **US D941,212 S**

(45) **Date of Patent:** **** Jan. 18, 2022**

(54) **WHEEL OR WHEEL COVER**
(71) Applicant: **Daimler AG**, Stuttgart (DE)
(72) Inventors: **Bernhard Hans**, Kirchberg (DE);
Markus Wachter, Ludwigsburg (DE)
(73) Assignee: **Daimler AG**, Stuttgart (DE)
(**) Term: **15 Years**

D826,824 S * 8/2018 Platto D12/209
D860,906 S * 9/2019 Valencia Pollex D12/209
D876,309 S * 2/2020 Echazabal D12/209
D885,288 S * 5/2020 Preyss D12/209
D885,293 S * 5/2020 Gallert D12/211
D896,724 S * 9/2020 Valencia Pollex D12/209
D901,356 S * 11/2020 Ninov D12/209
D904,956 S * 12/2020 Metros D12/209
D908,579 S * 1/2021 Badstuebner D12/209
D915,986 S * 4/2021 Wachter D12/209
D915,990 S * 4/2021 Hans D12/209

(21) Appl. No.: **29/741,673**
(22) Filed: **Jul. 15, 2020**
(51) **LOC (13) Cl.** **12-16**
(52) **U.S. Cl.**
USPC **D12/209**
(58) **Field of Classification Search**
USPC D12/204–213; D21/563
CPC B60B 7/00; B60B 7/02; B60B 7/04; B60B
7/01; B60B 7/06; B60B 3/02; B60B 3/04;
B60B 3/06; B60B 3/10; B60B 1/00;
B60B 1/08; B60B 1/10; B60B 1/12
See application file for complete search history.

FOREIGN PATENT DOCUMENTS

WO WO DM/081522 8/2014

* cited by examiner

Primary Examiner — Stacia A Cadmus
(74) *Attorney, Agent, or Firm* — Crowell & Moring LLP

(57) **CLAIM**

The ornamental design for a wheel or wheel cover, as shown and described.

DESCRIPTION

This application contains subject matter related to the following co-pending U.S. design patent application: Application Ser. No. 29/741,672, filed herewith and entitled “Wheel or Wheel Cover”.

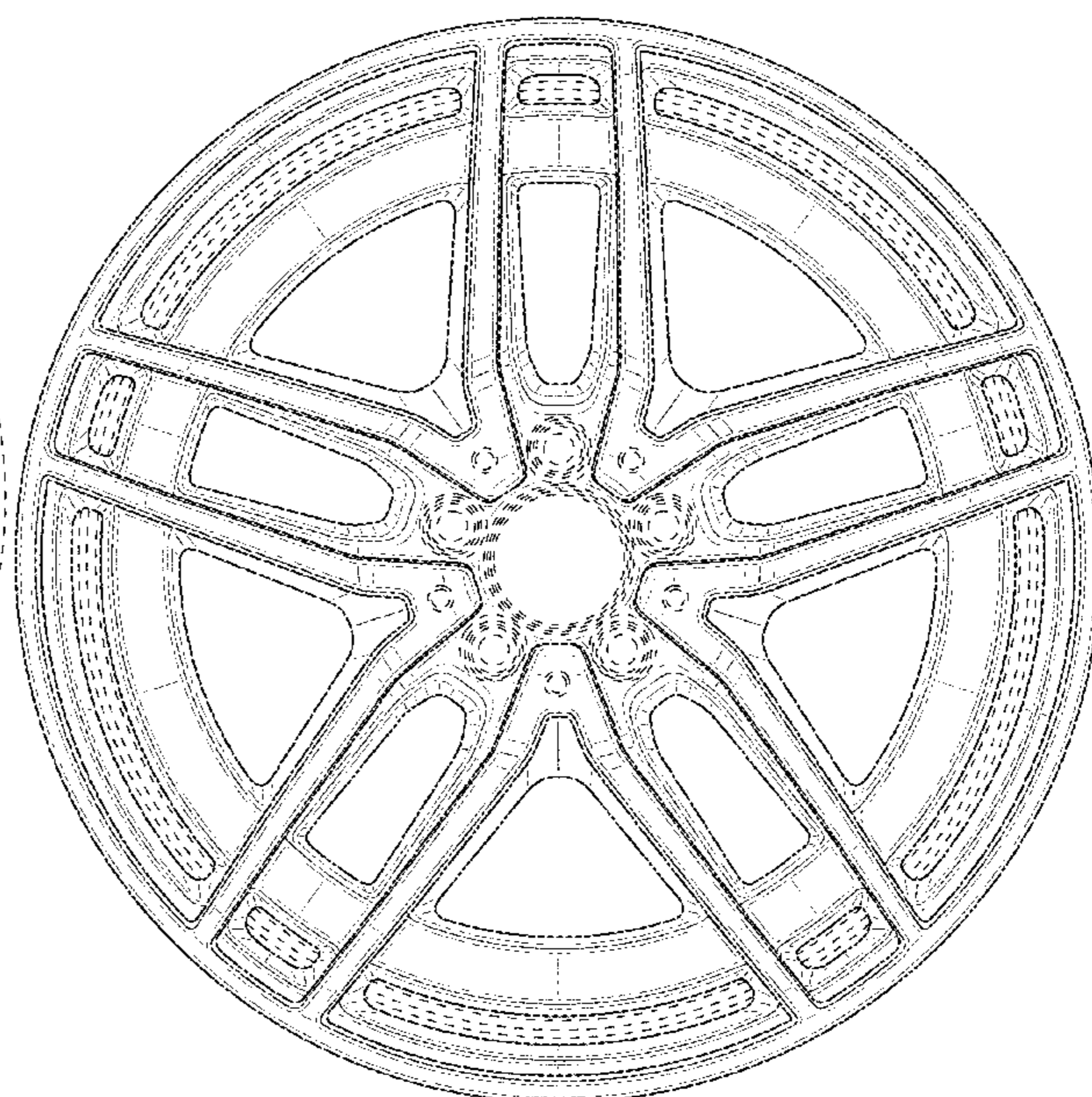
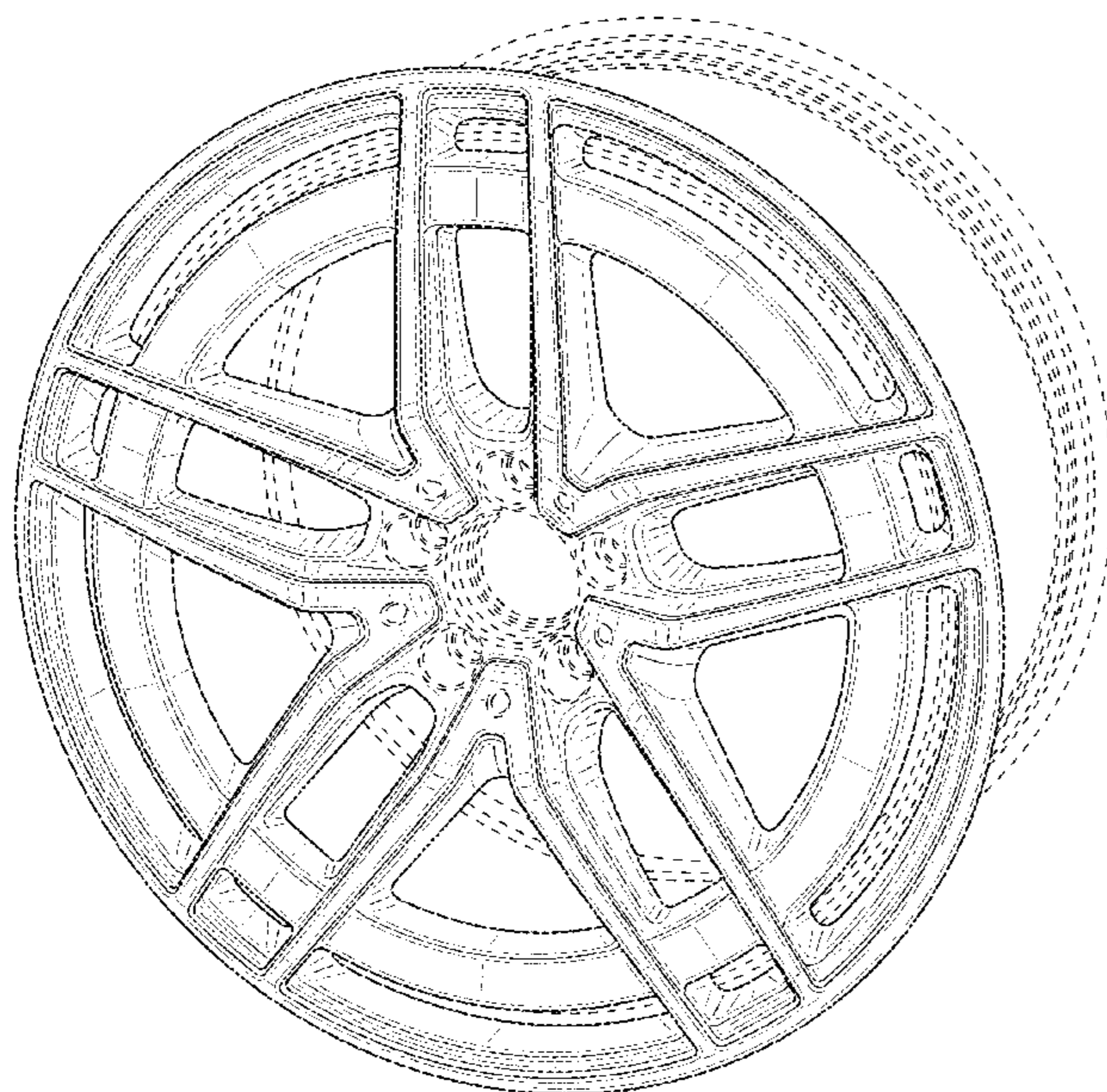
FIG. 1 is a perspective view of a wheel or wheel cover according to the design; and, FIG. 2 is a front view thereof.

In the drawings, the broken lines depict portions of the wheel or wheel cover and form no part of the claimed design. Also enclosed is a set of photographs of an embodiment of the design.

1 Claim, 2 Drawing Sheets

(56) **References Cited**
U.S. PATENT DOCUMENTS

D515,491 S * 2/2006 Elmitt D12/209
D614,108 S * 4/2010 Varga D12/211
D666,547 S * 9/2012 Hilpert D12/211
D746,755 S * 1/2016 Mielke D12/211
D748,033 S * 1/2016 Carter D12/211
D749,484 S * 2/2016 Stopka D12/209
D751,483 S * 3/2016 Nicoghosian D12/209
D788,005 S * 5/2017 Peat D12/211
D795,154 S * 8/2017 Hans D12/211
D797,028 S * 9/2017 Chung D12/211
D823,769 S * 7/2018 Gallert D12/209



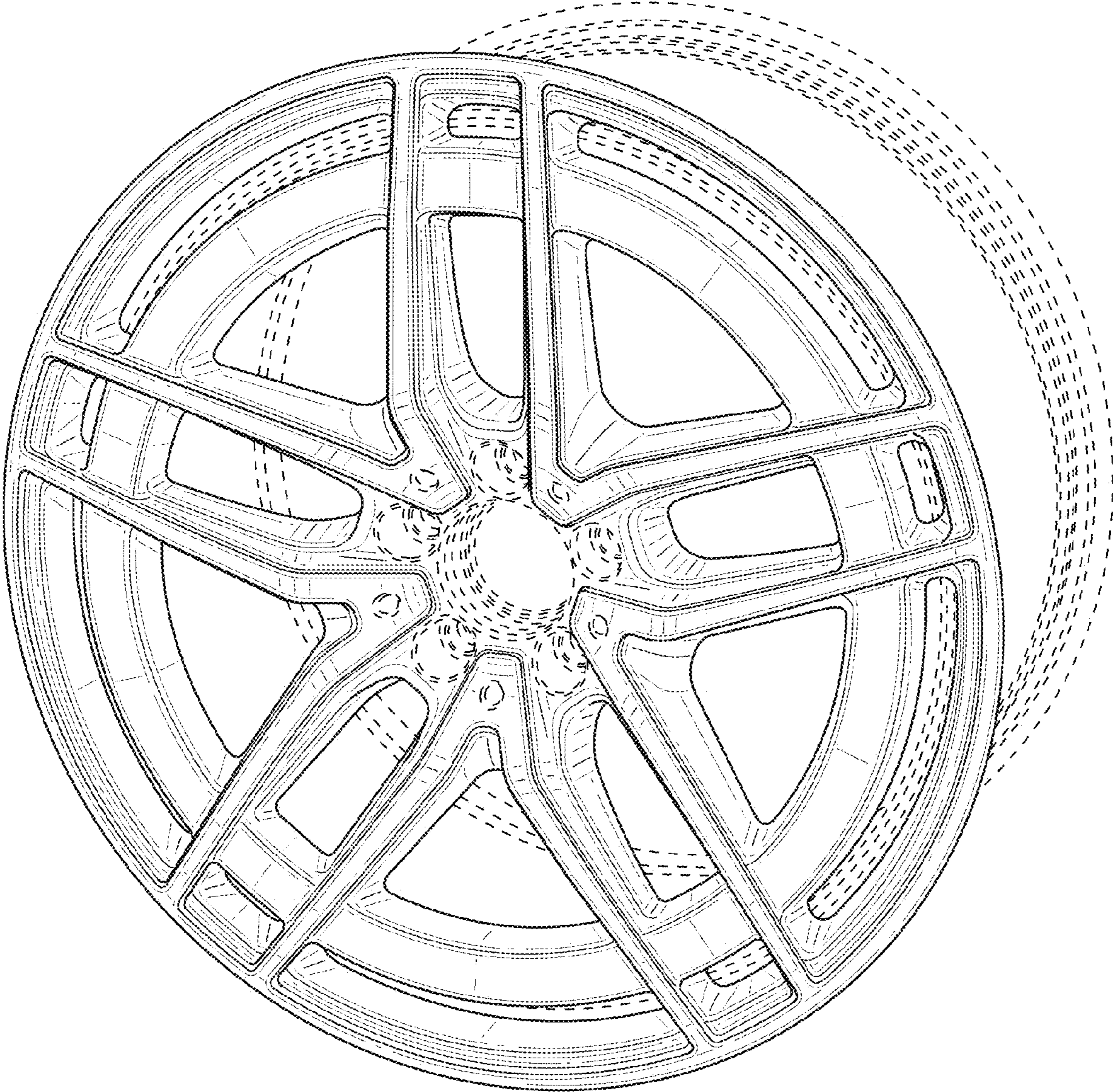


FIG. 1

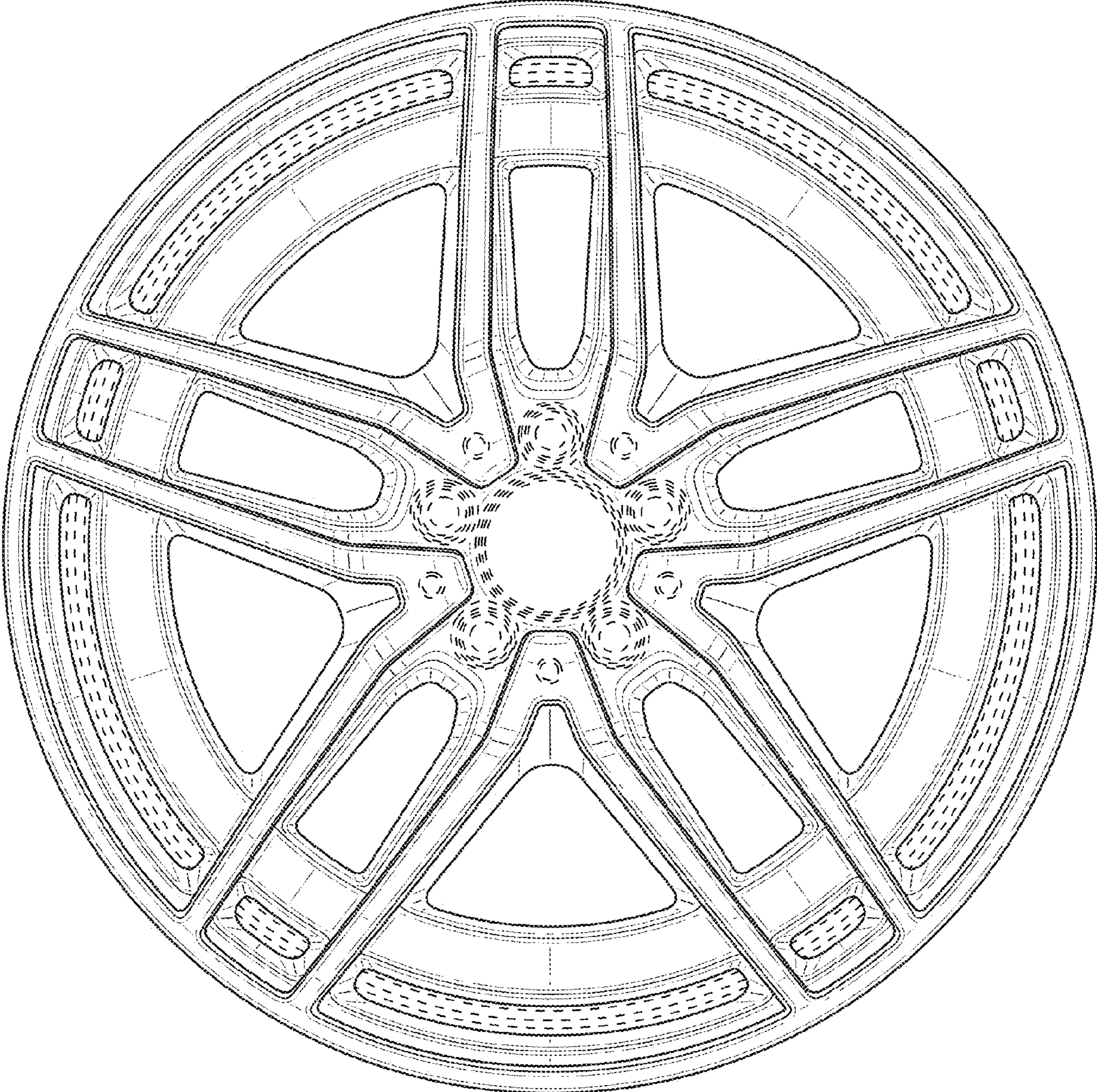


FIG. 2