



US00D941211S

(12) **United States Design Patent**
Hans et al.

(10) **Patent No.:** **US D941,211 S**
(45) **Date of Patent:** **** Jan. 18, 2022**

(54) **WHEEL OR WHEEL COVER**
(71) Applicant: **Daimler AG**, Stuttgart (DE)
(72) Inventors: **Bernhard Hans**, Kirchberg (DE);
Markus Wachter, Ludwigsburg (DE)
(73) Assignee: **Daimier AG**, Stuttgart (DE)
(**) Term: **15 Years**
(21) Appl. No.: **29/741,672**
(22) Filed: **Jul. 15, 2020**

D864,077 S * 10/2019 Han D12/209
D865,623 S * 11/2019 Han D12/209
D866,432 S * 11/2019 Preyss D12/209
D873,755 S * 1/2020 Buck D12/209
D881,099 S * 4/2020 Han D12/209
D889,348 S * 7/2020 Buck D12/209
D895,510 S * 9/2020 Scott D12/209
D897,924 S * 10/2020 Arias D12/209
D899,336 S * 10/2020 Okaji D12/209
D901,356 S * 11/2020 Ninov D12/209
D906,213 S * 12/2020 Carbis D12/209
D915,986 S * 4/2021 Wachter D12/209
D915,988 S * 4/2021 Hans D12/209
D916,644 S * 4/2021 Goodrich D12/209
D917,365 S * 4/2021 Groth D12/209
D917,366 S * 4/2021 Groth D12/209

(Continued)

(30) **Foreign Application Priority Data**

Jan. 16, 2020 (DE) 402020200225.2

(51) **LOC (13) Cl.** **12-16**

(52) **U.S. Cl.**
USPC **D12/209**

(58) **Field of Classification Search**
USPC D12/204–213; D21/563
CPC B60B 7/00; B60B 7/02; B60B 7/04; B60B
7/01; B60B 7/06; B60B 3/02; B60B 3/04;
B60B 3/06; B60B 3/10; B60B 1/00;
B60B 1/08; B60B 1/10; B60B 1/12
See application file for complete search history.

(56) **References Cited**

U.S. PATENT DOCUMENTS

D560,585 S * 1/2008 Blasi D12/209
D620,862 S * 8/2010 Pollmann D12/209
D624,861 S * 10/2010 Zhao D12/209
D656,443 S * 3/2012 Fetherston D12/209
D663,668 S * 7/2012 Pollmann D12/209
D756,876 S * 5/2016 Rueckheim D12/209
D808,324 S * 1/2018 Ninov D12/211
D810,646 S * 2/2018 Heizmann D12/209
D844,527 S * 4/2019 Lickliter D12/209
D845,858 S * 4/2019 Chu D12/209
D860,898 S * 9/2019 Han D12/209

FOREIGN PATENT DOCUMENTS

WO WO DM/081522 8/2014

Primary Examiner — Stacia A Cadmus
(74) *Attorney, Agent, or Firm* — Crowell & Moring LLP

(57) **CLAIM**

The ornamental design for a wheel or wheel cover, as shown and described.

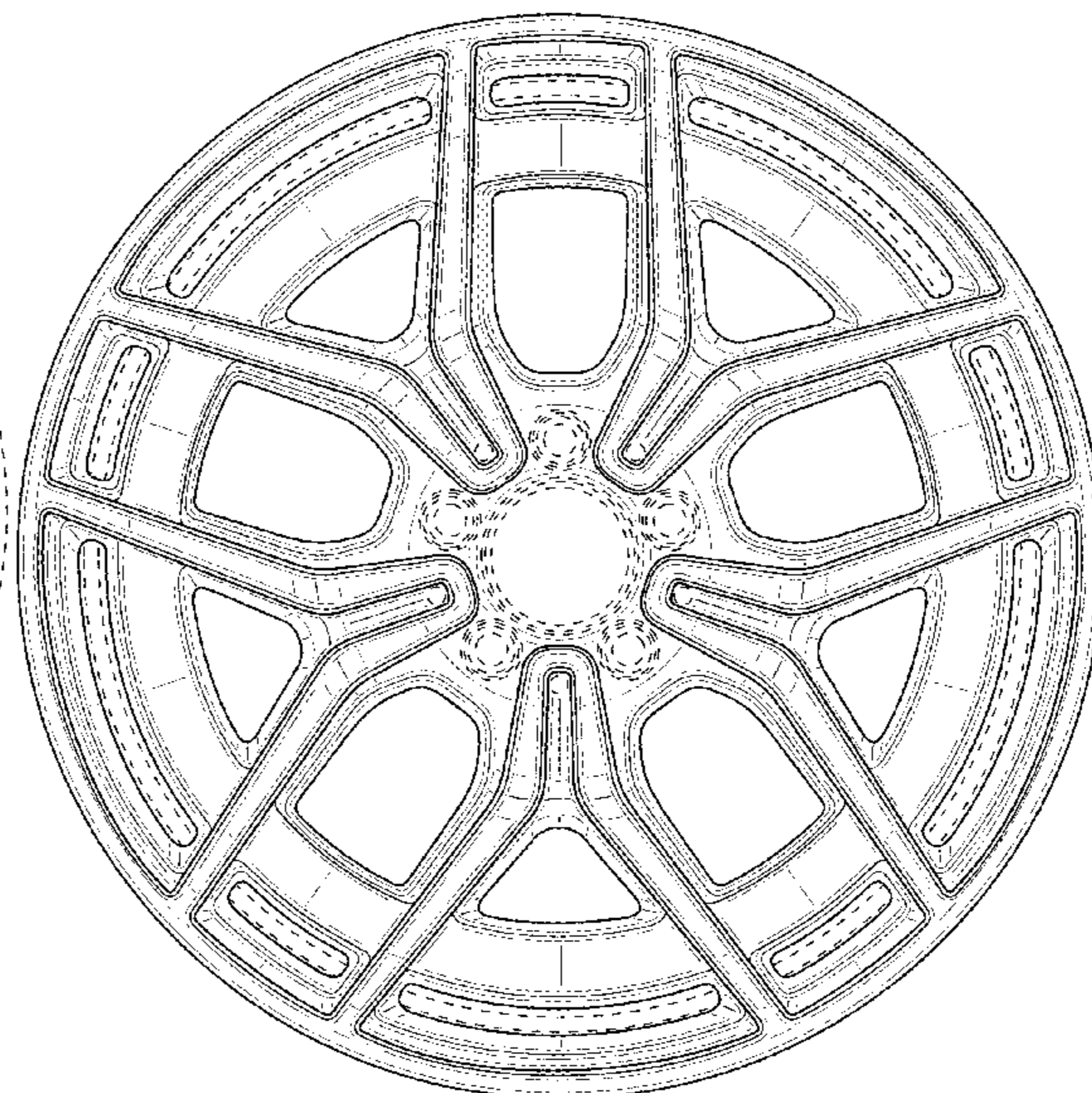
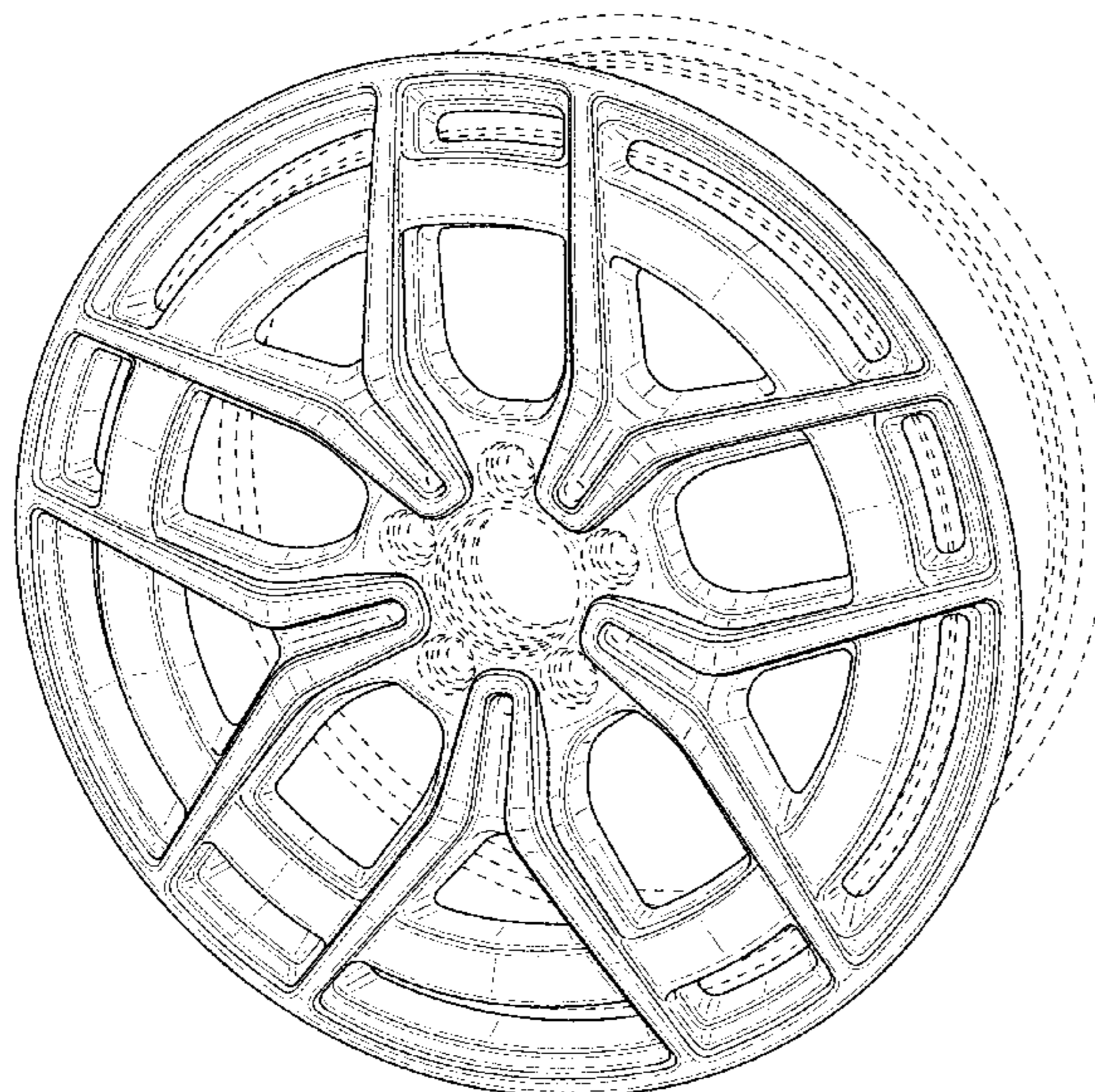
DESCRIPTION

This application contains subject matter related to the following co-pending U.S. design patent application: Application Ser. No. 29/741,673, filed herewith and entitled “Wheel or Wheel Cover”.

FIG. 1 is a perspective view of a wheel or wheel cover according to the design; and, FIG. 2 is a front view thereof.

In the drawings, the broken lines depict portions of the wheel or wheel cover and form no part of the claimed design. Also enclosed is a set of photographs of an embodiment of the design.

1 Claim, 2 Drawing Sheets



(56)

References Cited

U.S. PATENT DOCUMENTS

D918,114 S	*	5/2021	Scheinutte	D12/209
D918,117 S	*	5/2021	Ma	D12/209
D918,817 S	*	5/2021	Qin	D12/209
D921,555 S	*	6/2021	Qin	D12/209

* cited by examiner

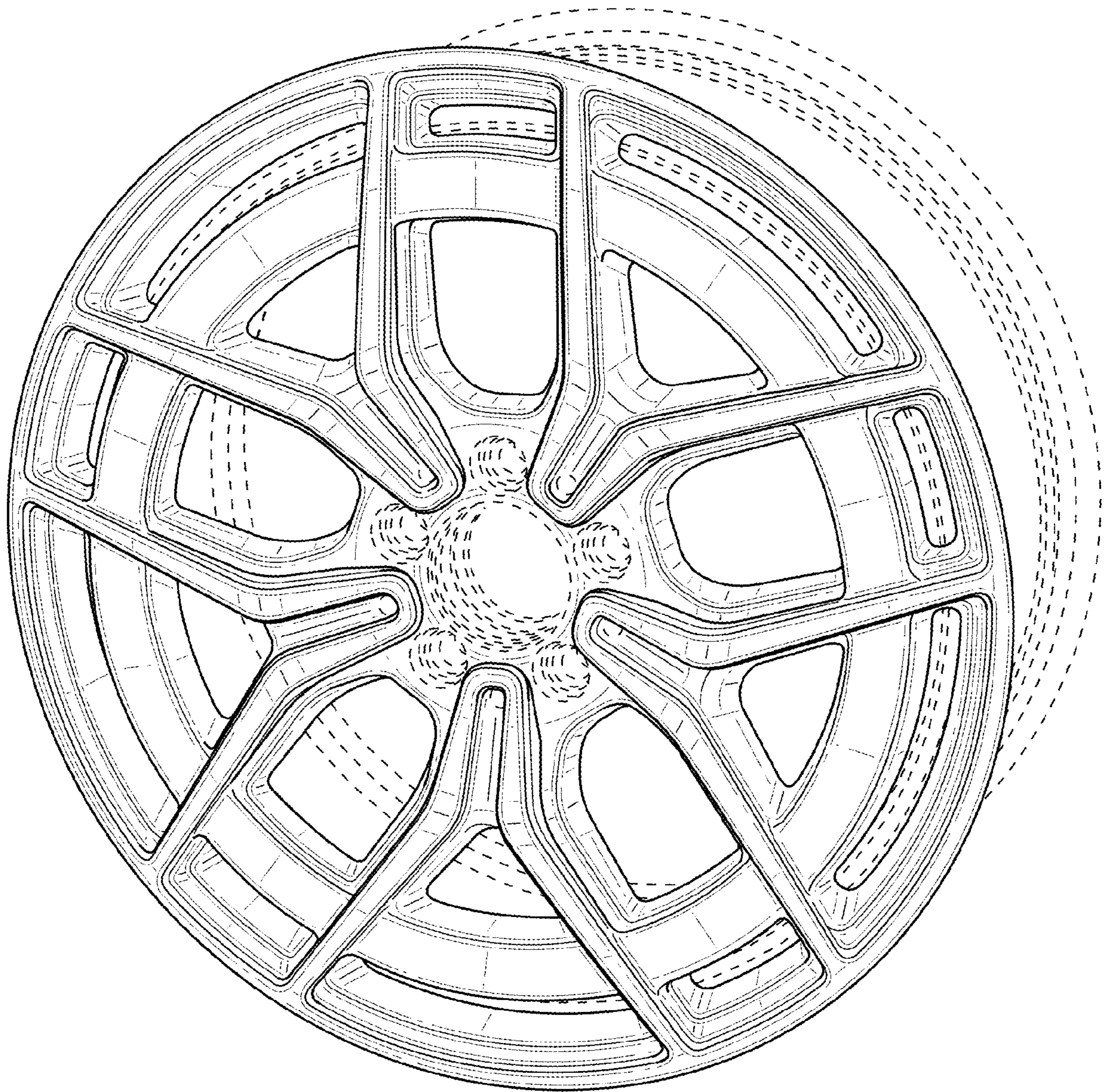


FIG. 1

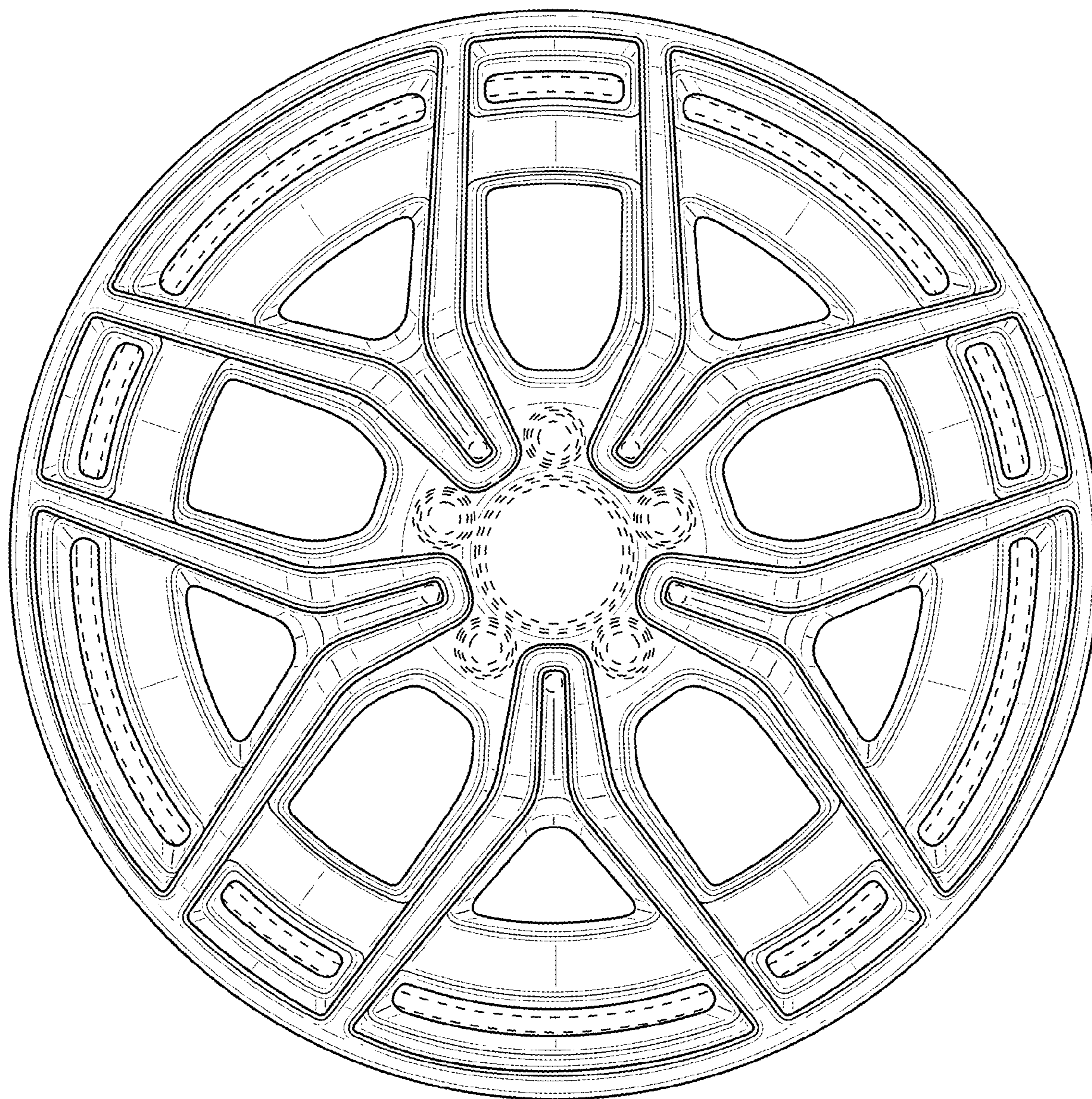


FIG. 2