



US00D941208S

(12) **United States Design Patent**  
**Li**

(10) **Patent No.:** **US D941,208 S**

(45) **Date of Patent:** **\*\* Jan. 18, 2022**

(54) **WHEEL RIM**

(71) Applicant: **Mu-Rong Li**, Taichung (TW)

(72) Inventor: **Mu-Rong Li**, Taichung (TW)

(73) Assignee: **GREAT GO CYCLES INC.**, Taichung (TW)

(\*\*) Term: **15 Years**

(21) Appl. No.: **29/756,177**

(22) Filed: **Oct. 26, 2020**

(51) **LOC (13) Cl.** ..... **12-16**

(52) **U.S. Cl.**  
USPC ..... **D12/205**

(58) **Field of Classification Search**  
USPC ..... D12/204-213; D21/563  
CPC .... B60B 7/00; B60B 7/02; B60B 7/04; B60B 7/01; B60B 7/06; B60B 3/02; B60B 3/04; B60B 3/06; B60B 3/10; B60B 1/00; B60B 1/08; B60B 1/10; B60B 1/12  
See application file for complete search history.

(56) **References Cited**

**U.S. PATENT DOCUMENTS**

D282,924 S \* 3/1986 Inoue ..... D12/211  
D426,509 S \* 6/2000 La Delpha ..... D12/205

D456,757 S \* 5/2002 Schroeder ..... D12/211  
D512,676 S \* 12/2005 Brown ..... D12/211  
D748,560 S \* 2/2016 Simm ..... D12/211  
D764,365 S \* 8/2016 Hirai ..... D12/205  
D775,573 S \* 1/2017 Simpson ..... D12/209  
D776,598 S \* 1/2017 Zhao ..... D12/211  
D783,486 S \* 4/2017 Simpson ..... D12/209  
D817,841 S \* 5/2018 Chung ..... D12/209  
D877,016 S \* 3/2020 Jackson ..... D12/209  
D908,065 S \* 1/2021 Mukti ..... D12/209  
D915,982 S \* 4/2021 Piaskowski ..... D12/209  
D921,556 S \* 6/2021 Zhang ..... D12/211  
D927,397 S \* 8/2021 Lee ..... D12/211

\* cited by examiner

*Primary Examiner* — Stacia A Cadmus

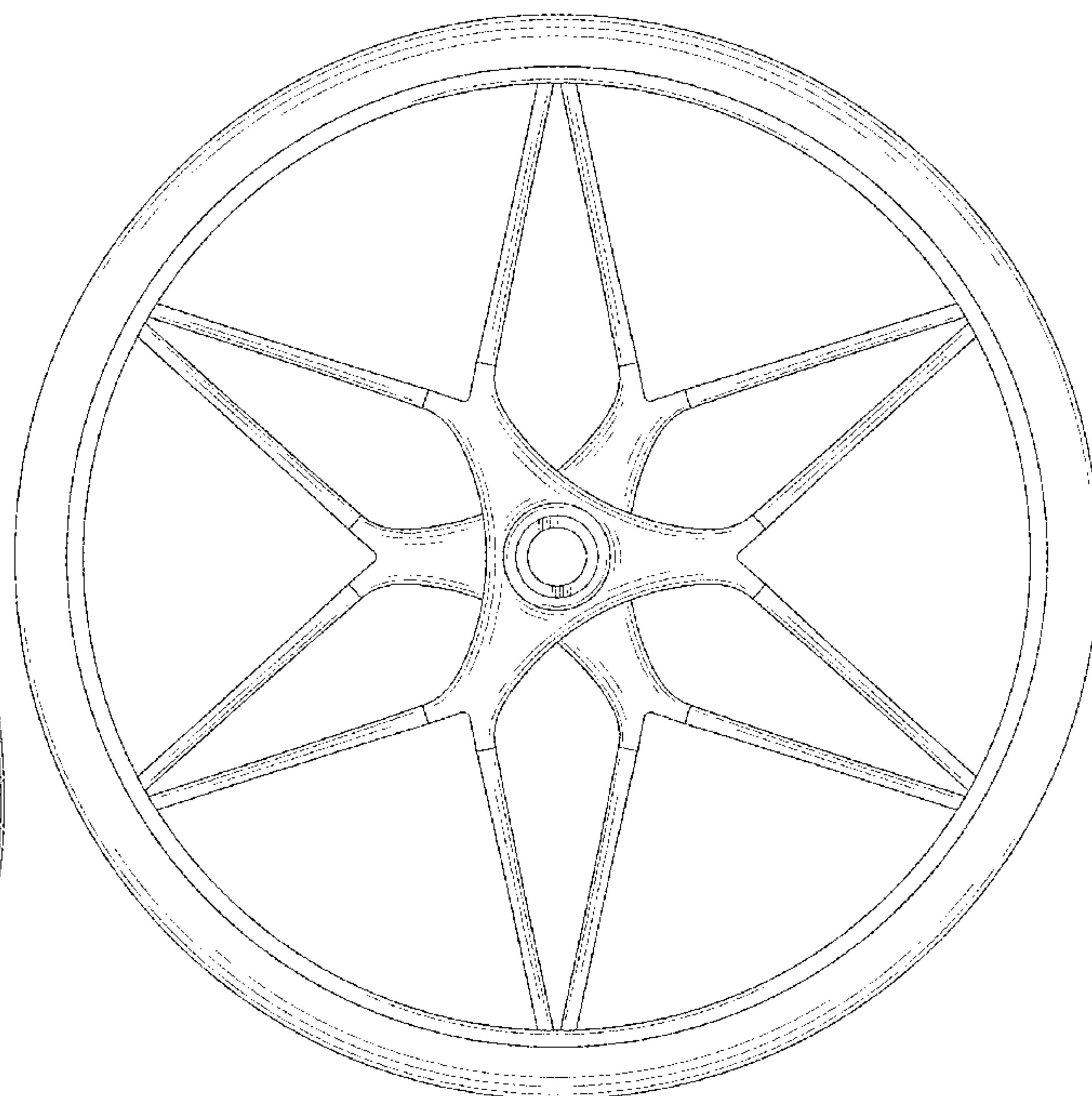
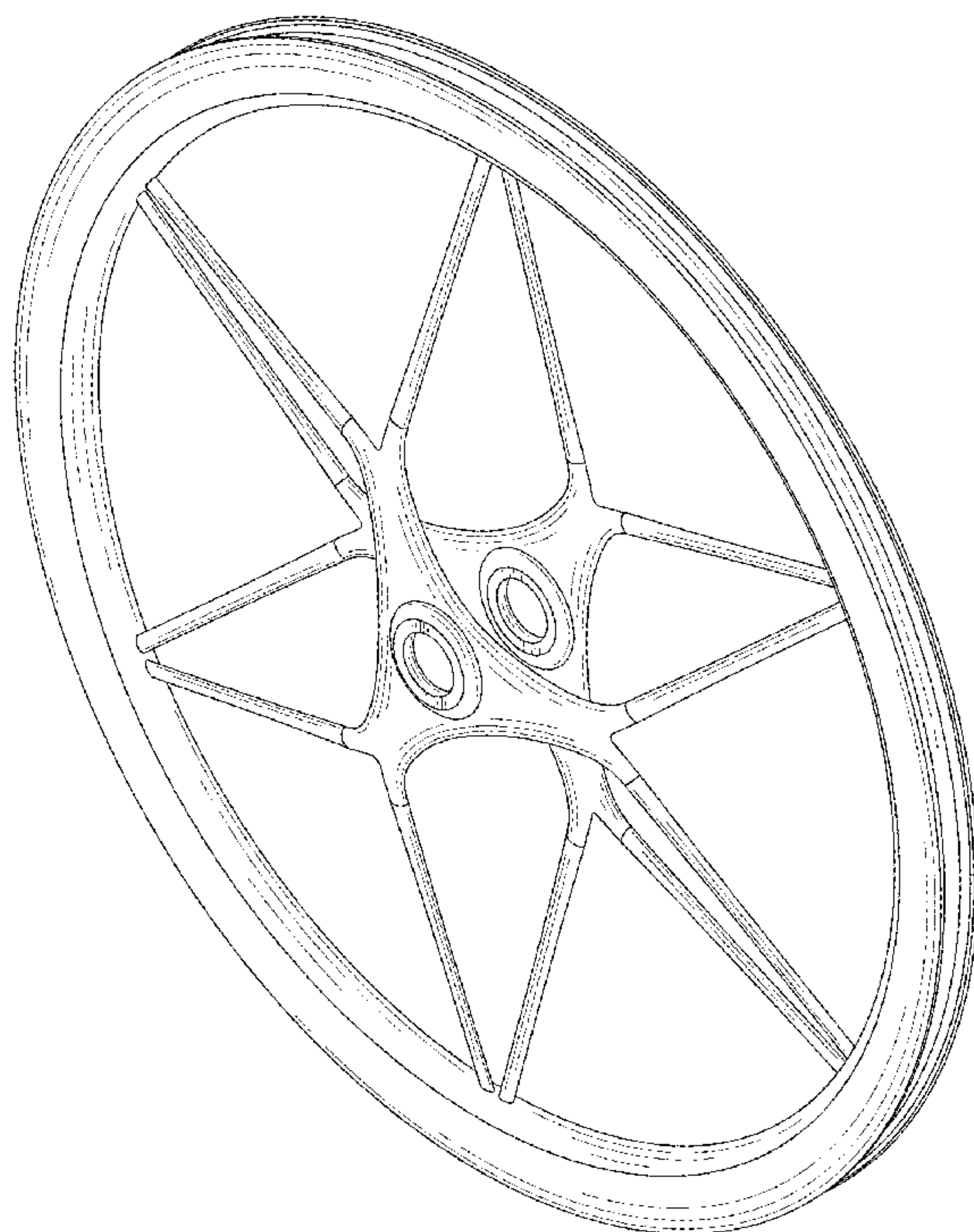
(57) **CLAIM**

The ornamental design for a wheel rim, shown and described.

**DESCRIPTION**

FIG. 1 is a front perspective view of a wheel rim showing my new design;  
FIG. 2 is a front view thereof;  
FIG. 3 is a rear view thereof;  
FIG. 4 is a left side view thereof;  
FIG. 5 is a right side view thereof;  
FIG. 6 is a top view thereof; and,  
FIG. 7 is a bottom view thereof.

**1 Claim, 6 Drawing Sheets**



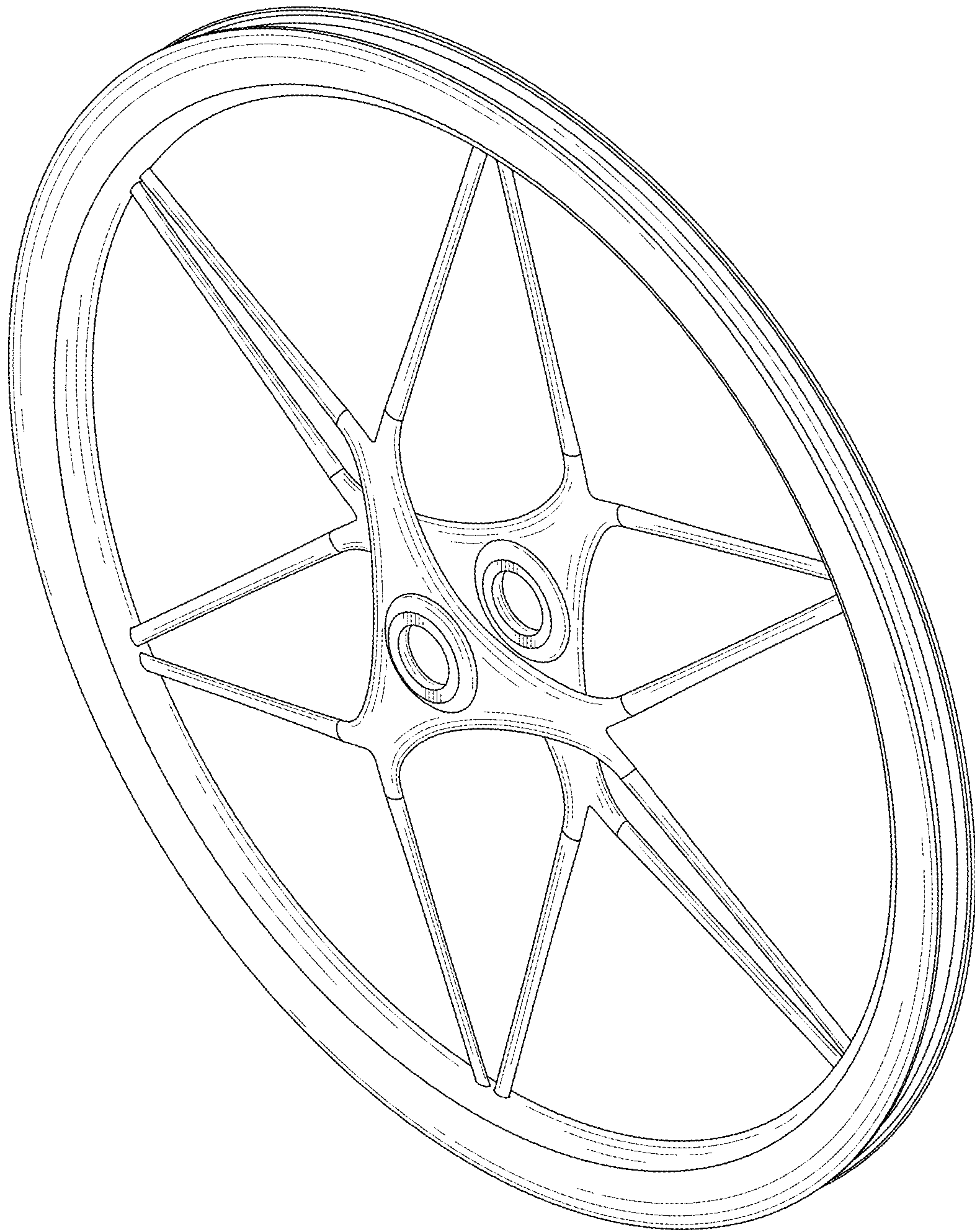


FIG. 1



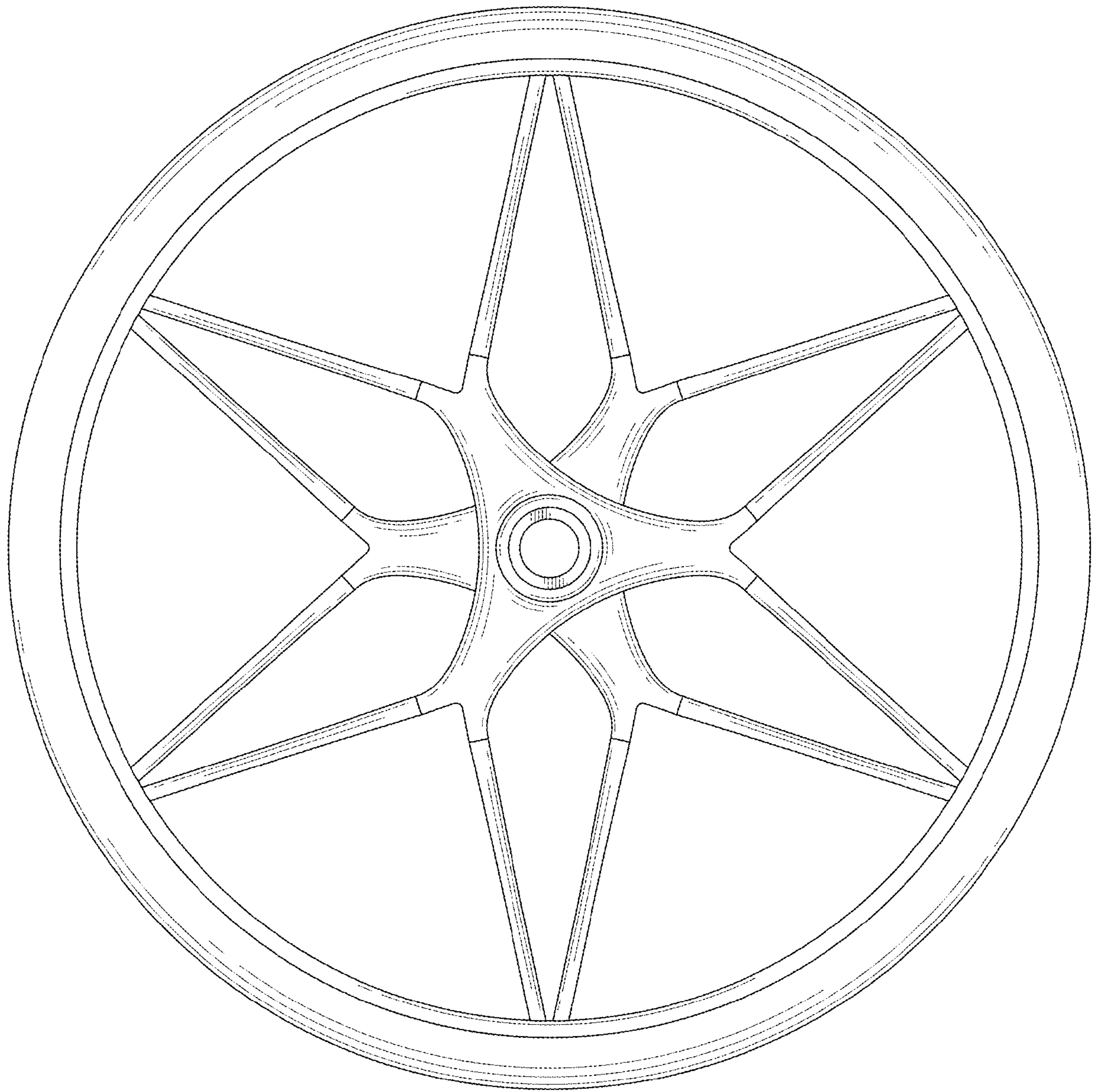


FIG. 2

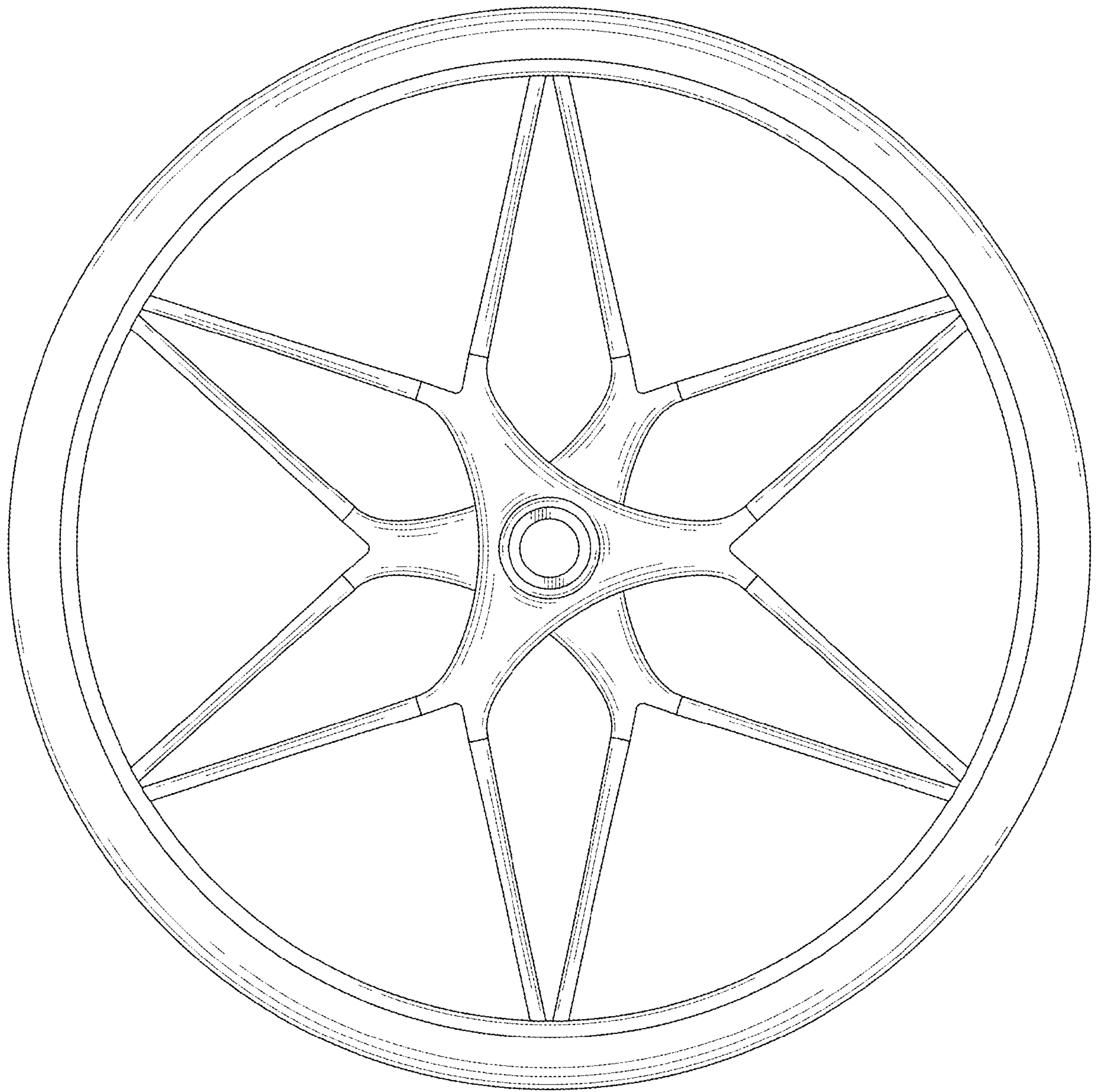


FIG. 3

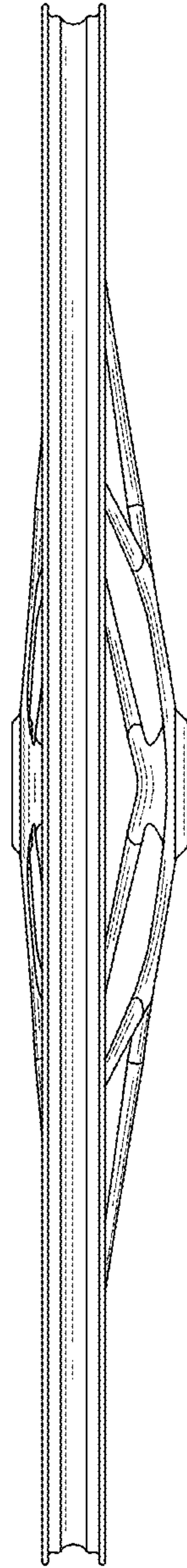


FIG.4

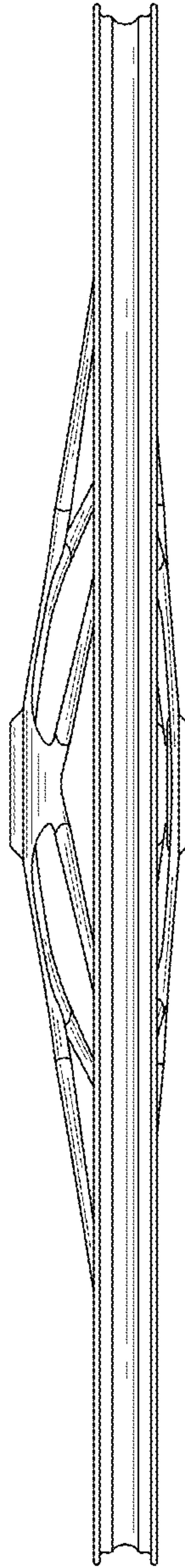


FIG.5

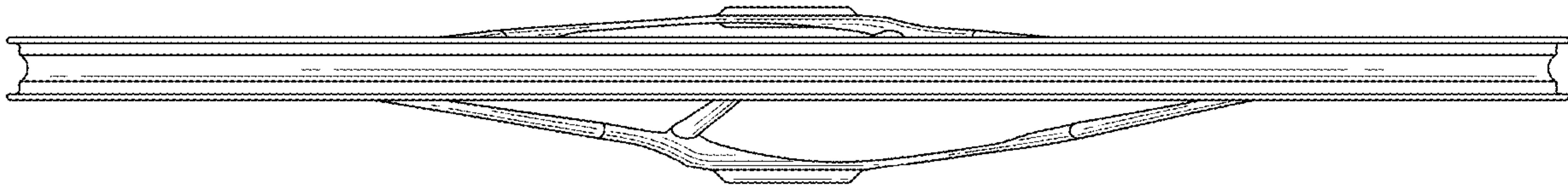


FIG. 6

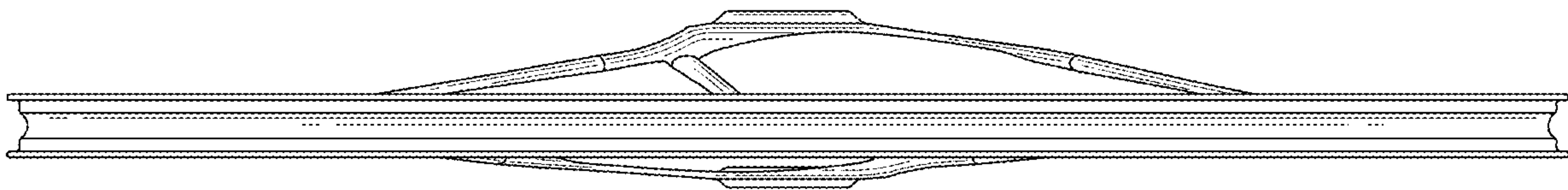


FIG. 7