



US00D941202S

(12) **United States Design Patent**  
**Nash et al.**

(10) **Patent No.:** **US D941,202 S**  
(45) **Date of Patent:** **\*\* Jan. 18, 2022**

(54) **WINDSHIELD DEVICE**  
(71) Applicants: **Tyrone Nash**, Wheatley, AR (US);  
**Curtis Chunn**, Brinkley, AR (US)  
(72) Inventors: **Tyrone Nash**, Wheatley, AR (US);  
**Curtis Chunn**, Brinkley, AR (US)  
(\*\*) Term: **15 Years**  
(21) Appl. No.: **29/738,818**  
(22) Filed: **Jun. 19, 2020**  
(51) **LOC (13) Cl.** ..... **12-16**  
(52) **U.S. Cl.**  
USPC ..... **D12/183**  
(58) **Field of Classification Search**  
USPC ..... D12/183, 182, 190, 191, 401, 404  
CPC ..... B60J 3/0204; B60J 1/2002; B60J 1/2005;  
B60J 1/20; B60J 3/0208; B60J 3/02  
See application file for complete search history.

2009/0091154 A1\* 4/2009 Gong ..... B60J 1/2011  
296/97.9  
2011/0017412 A1\* 1/2011 Macneil ..... F16B 47/00  
160/370.21  
2012/0073770 A1\* 3/2012 Zheng ..... E06B 9/24  
160/377  
2014/0245556 A1\* 9/2014 Kaminer ..... A47L 11/284  
15/228  
2015/0101768 A1\* 4/2015 Lee ..... B60J 1/2091  
160/370.21

\* cited by examiner

*Primary Examiner* — Katrina A Betton  
(74) *Attorney, Agent, or Firm* — Schrantz Law Firm,  
PLLC; Stephen D. Schrantz

(57) **CLAIM**

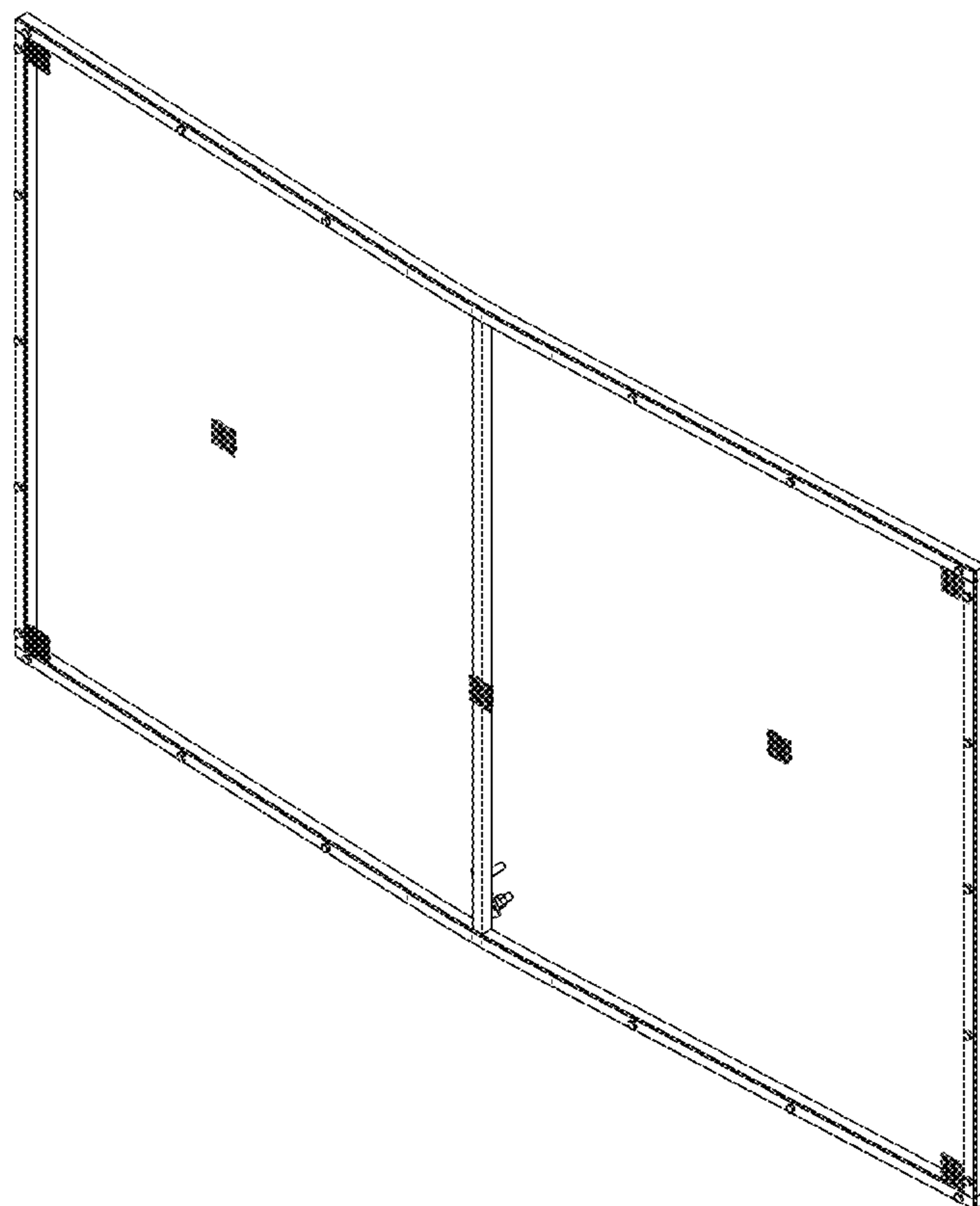
The ornamental design for a windshield device, as shown  
and described.

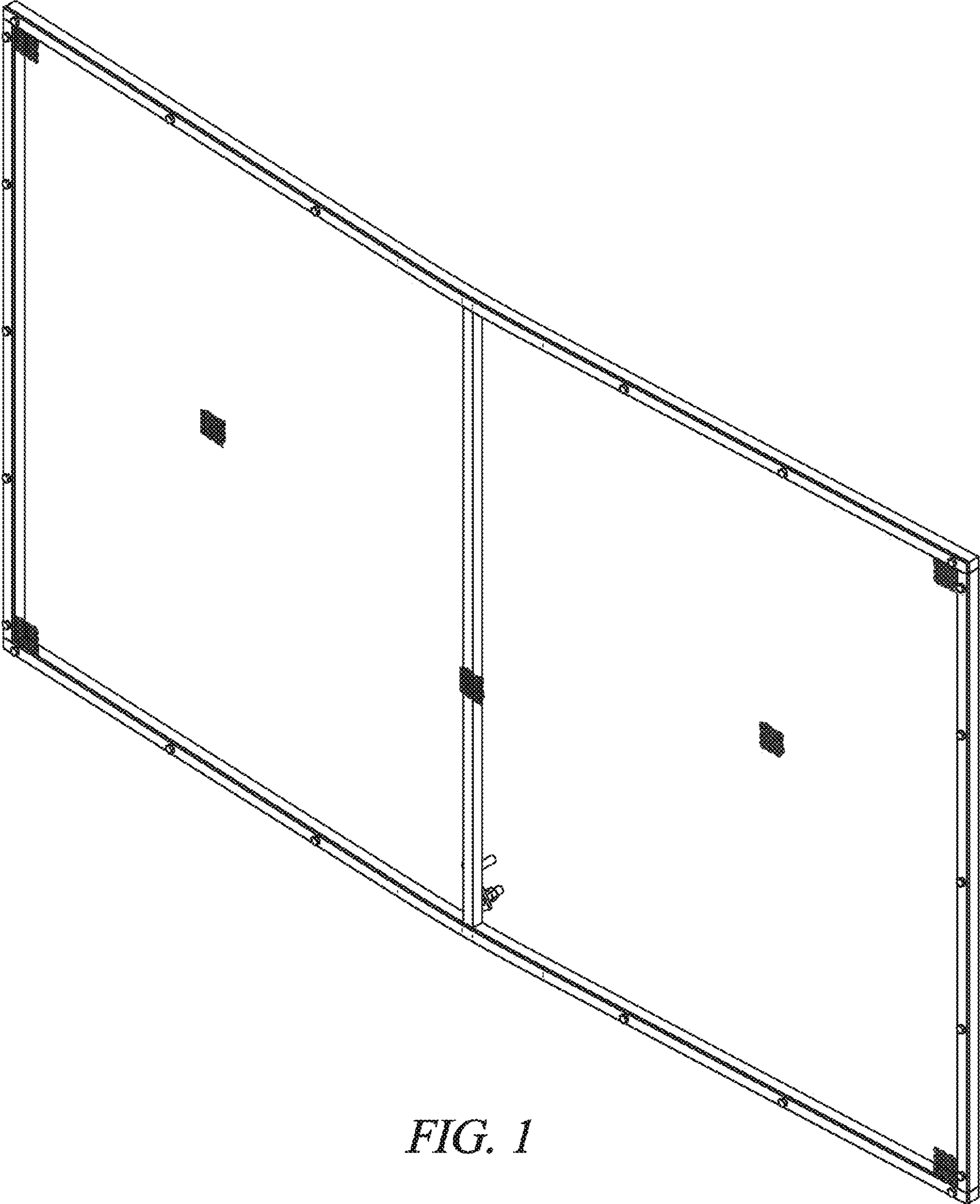
**DESCRIPTION**

FIG. 1 is a front perspective view showing my new design;  
FIG. 2 is a rear perspective view thereof;  
FIG. 3 is a front view thereof;  
FIG. 4 is a rear view thereof;  
FIG. 5 is a top view thereof;  
FIG. 6 is a bottom view thereof;  
FIG. 7 is a left side view thereof;  
FIG. 8 is a right side view thereof; and,  
FIG. 9 is an enlarged perspective view from FIG. 3.

**1 Claim, 7 Drawing Sheets**

(56) **References Cited**  
U.S. PATENT DOCUMENTS  
9,499,030 B1\* 11/2016 Gong ..... B60J 1/2011  
D791,656 S \* 7/2017 Nguyen ..... D12/183  
D793,308 S \* 8/2017 Lewis ..... D12/183  
D801,244 S \* 10/2017 Shu ..... D12/183  
D809,159 S \* 1/2018 Alexander ..... D25/48.8  
D813,767 S \* 3/2018 Mulokandov ..... D12/183  
D904,949 S \* 12/2020 Rago ..... D12/183  
D920,198 S \* 5/2021 Jia ..... D12/183





*FIG. 1*

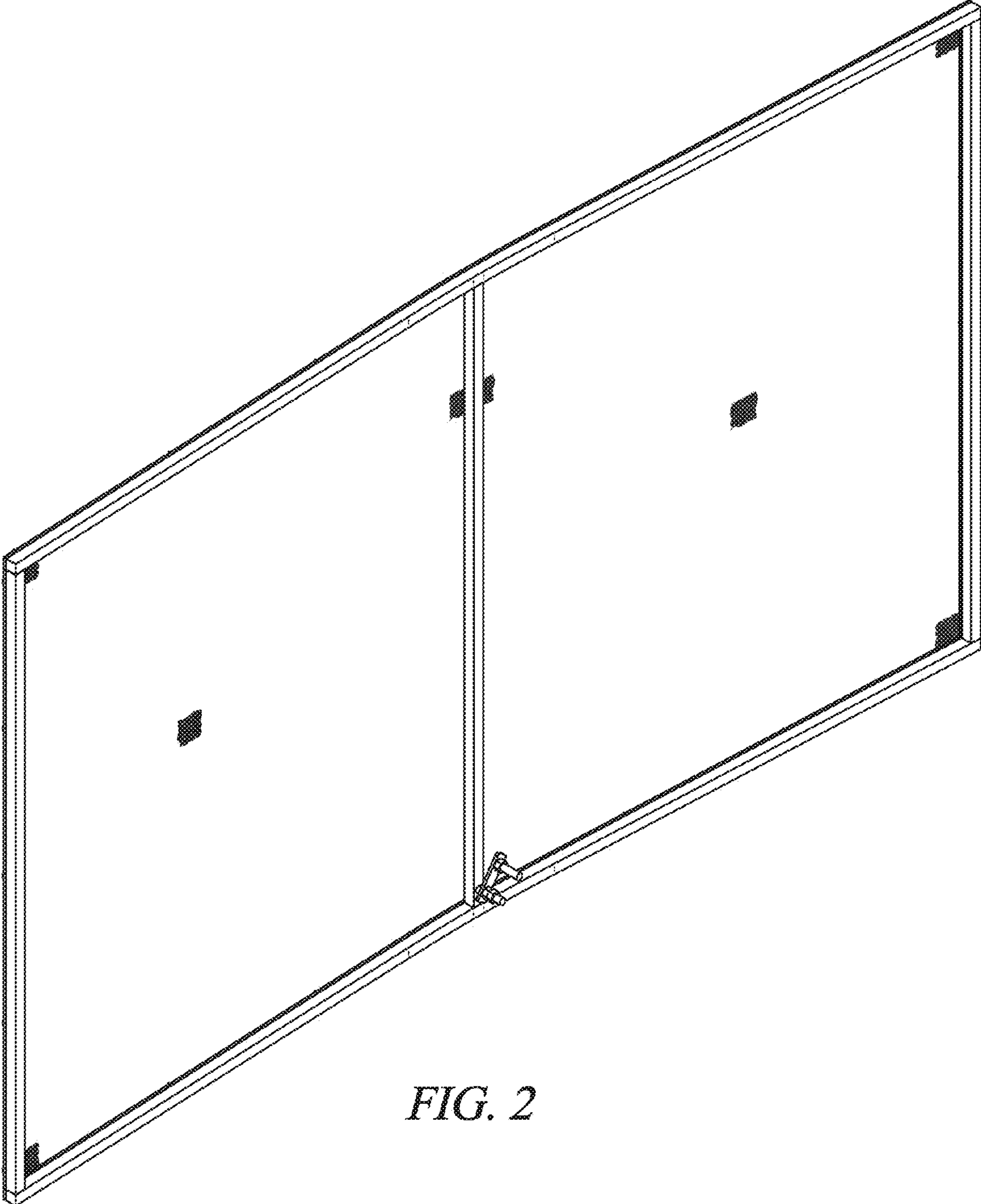


FIG. 2

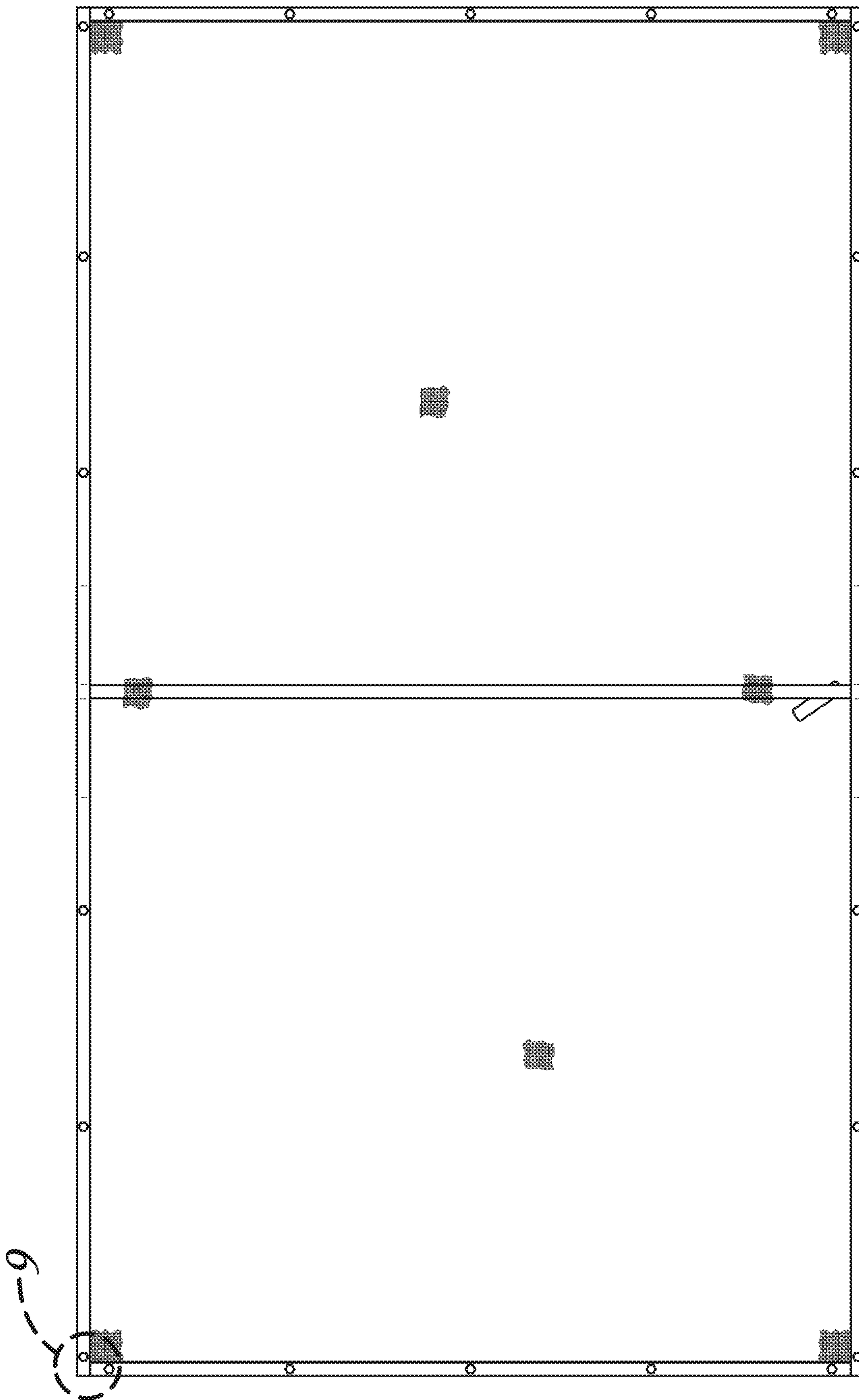


FIG. 3

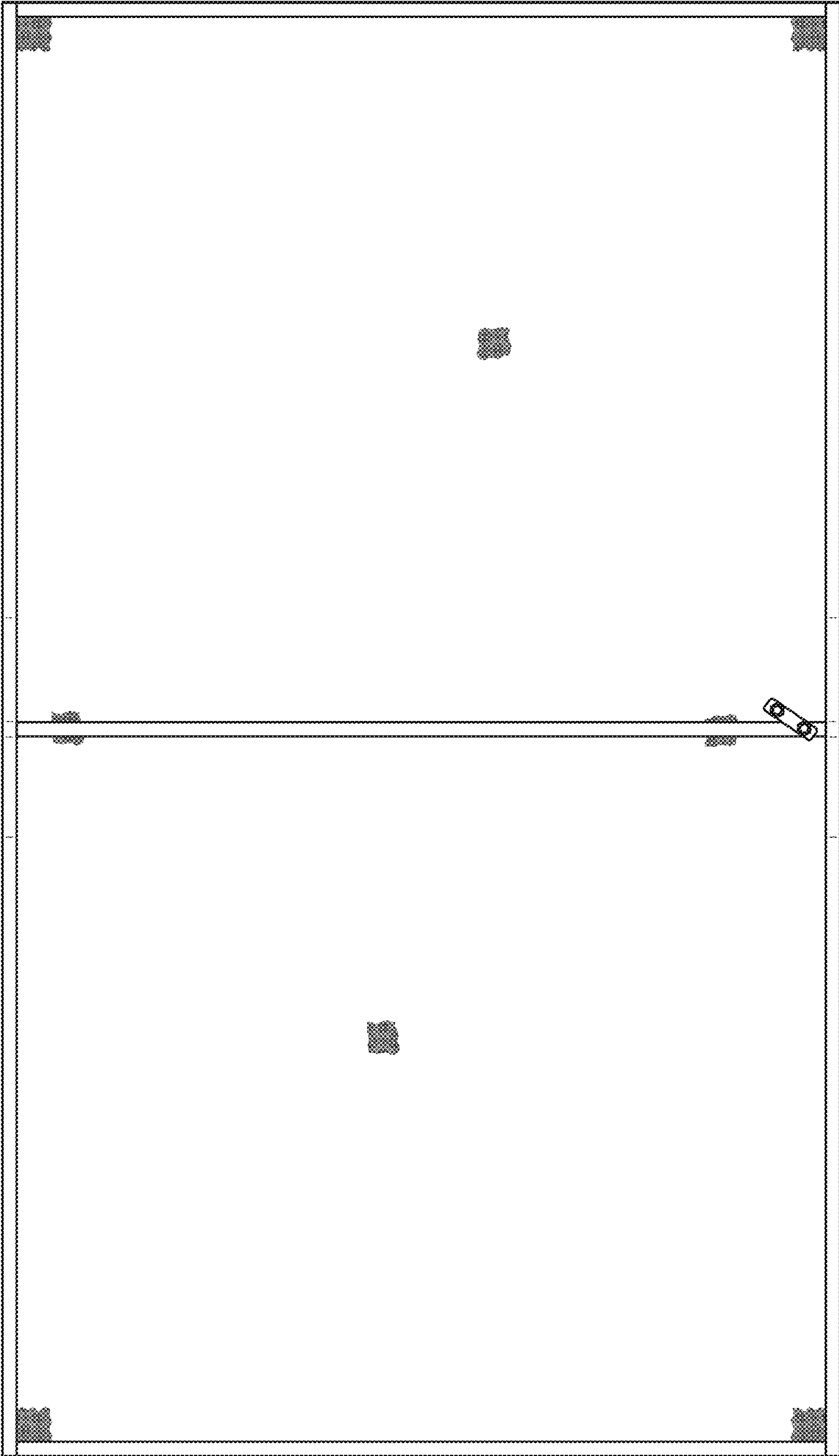


FIG. 4





FIG. 5

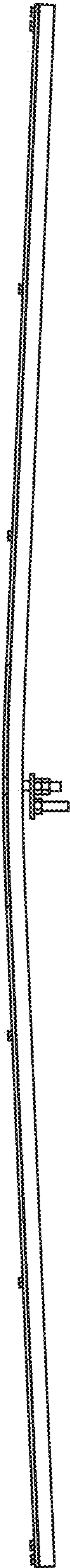
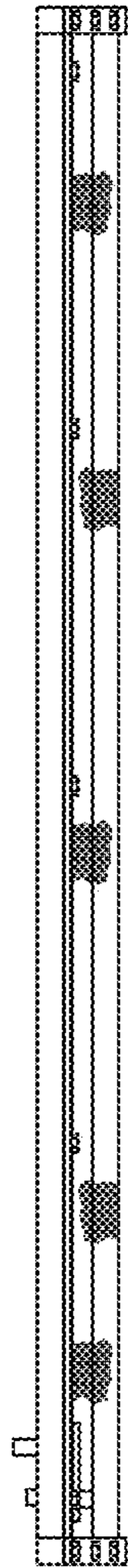
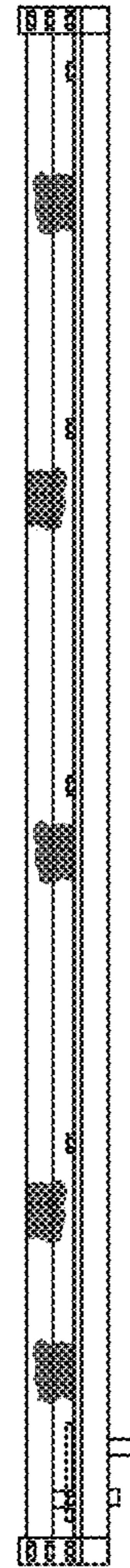


FIG. 6



*FIG. 7*



*FIG. 8*

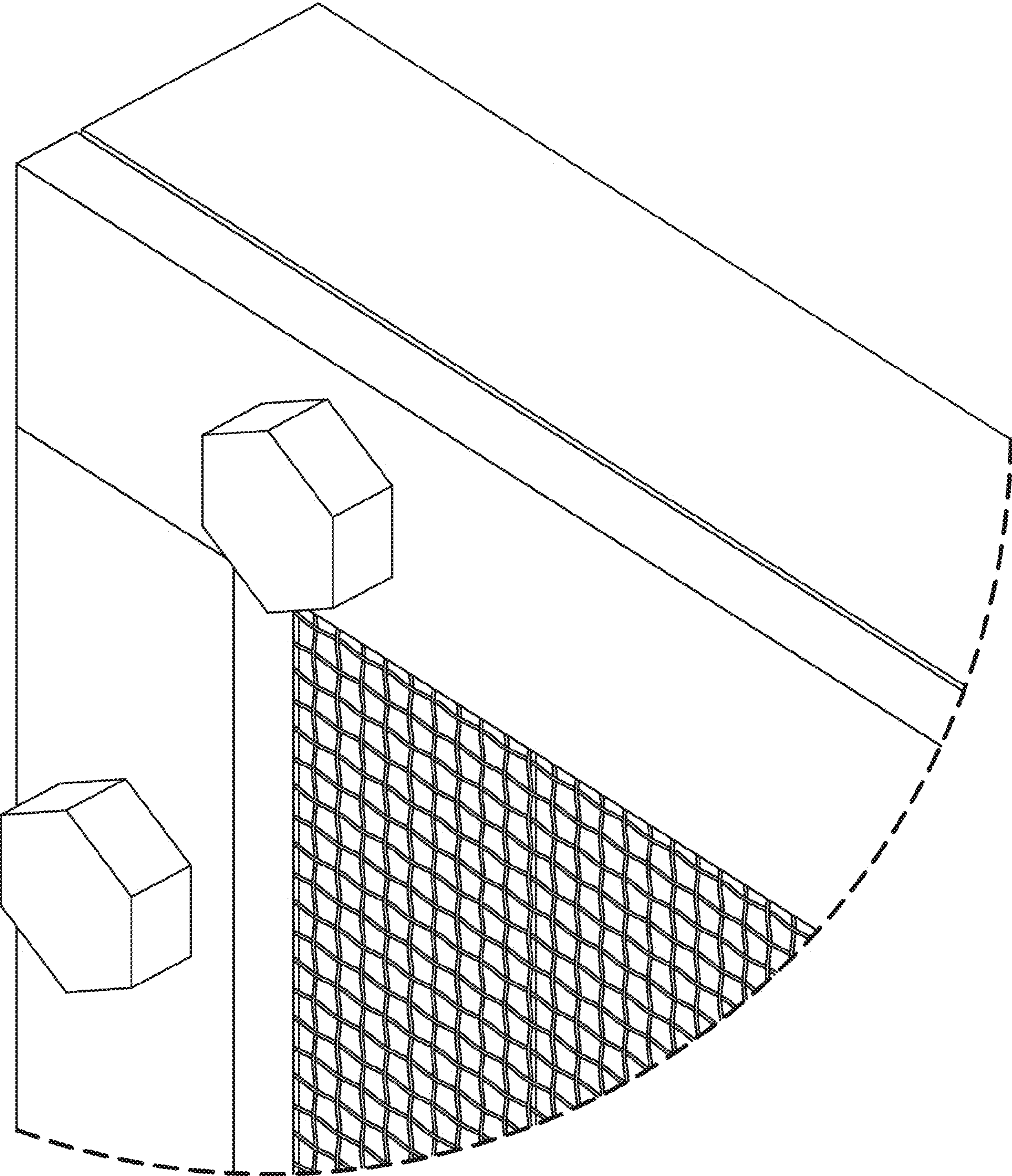


FIG. 9