



US00D941201S

(12) **United States Design Patent**
Nessi et al.

(10) **Patent No.:** **US D941,201 S**
(45) **Date of Patent:** **** Jan. 18, 2022**

(54) **BRAKE CALIPER**

(71) Applicant: **Freni Brembo S.p.A.**, Curno (IT)

(72) Inventors: **Lorenzo Nessi**, Curno (IT); **Armando Puddu**, Curno (IT)

(73) Assignee: **Freni Brembo S.p.A.**, Bergamo (IT)

(**) Term: **15 Years**

(21) Appl. No.: **29/794,766**

(22) Filed: **Jun. 15, 2021**

Related U.S. Application Data

(62) Division of application No. 35/509,135, filed on Sep. 27, 2019 (U.S. filing date under 35 U.S.C. 384), and having an international filing date of Sep. 27, 2019, now Pat. No. Des. 931,171.

(30) **Foreign Application Priority Data**

Mar. 27, 2019 (IT) 402019000000569
Sep. 27, 2019 (WO) 87824

(51) **LOC (13) Cl.** **12-16**

(52) **U.S. Cl.**
USPC **D12/180**

(58) **Field of Classification Search**

USPC D12/123, 160, 179, 180
CPC F16D 55/226; F16D 55/228; F16D 65/18;
F16D 65/183; F16D 65/58; F16D
65/0068; F16D 65/095; F16D 5/568
See application file for complete search history.

(56) **References Cited**

U.S. PATENT DOCUMENTS

D493,754 S * 8/2004 Barbosa D12/180
D515,482 S * 2/2006 Barbosa D12/180
D630,141 S * 1/2011 Chen D12/180

D700,551 S * 3/2014 Davenport, III D12/180
D804,375 S * 12/2017 Crippa D12/180
D805,012 S * 12/2017 Crippa D12/180
9,856,934 B2 * 1/2018 Peck F16D 65/123
D813,125 S * 3/2018 Crippa D12/180
D816,002 S * 4/2018 Crippa D12/180
9,970,495 B2 * 5/2018 Crippa F16D 55/225
D831,551 S * 10/2018 Wilson D12/190
D837,704 S * 1/2019 Huang D12/180
D840,301 S * 2/2019 Bonetti D12/180

(Continued)

OTHER PUBLICATIONS

Chris Chase. "The Best Brake Calipers to Keep Your Car or Truck Stopping Safely." Auto Guide., Nov. 4, 2020 [online], [retrieved on Sep. 24, 2021]. Retrieved from the Internet <URL: https://www.autoguide.com/best-brake-calipers>.*

(Continued)

Primary Examiner — Darlington Ly

(74) *Attorney, Agent, or Firm* — Marshall & Melhorn, LLC

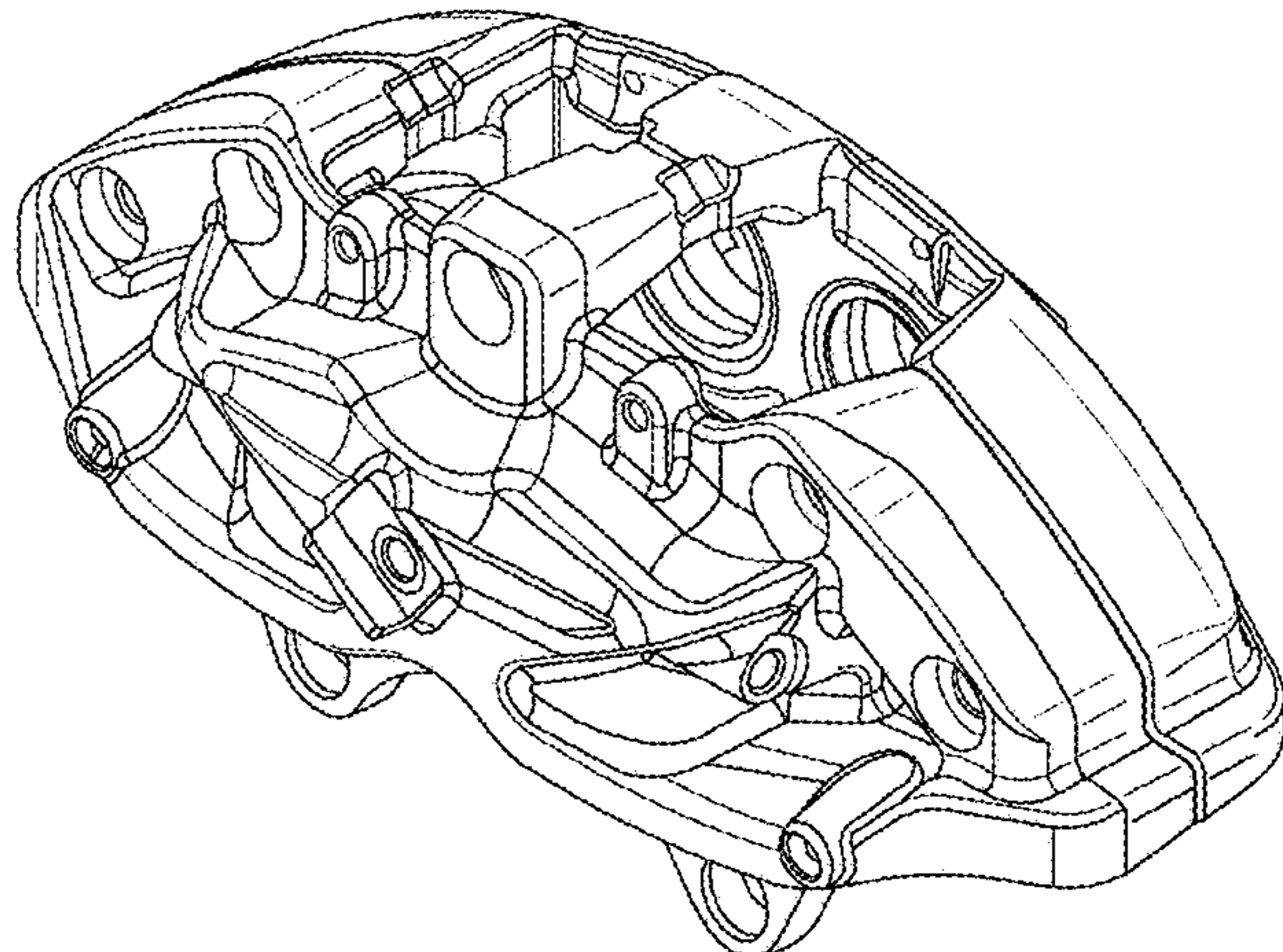
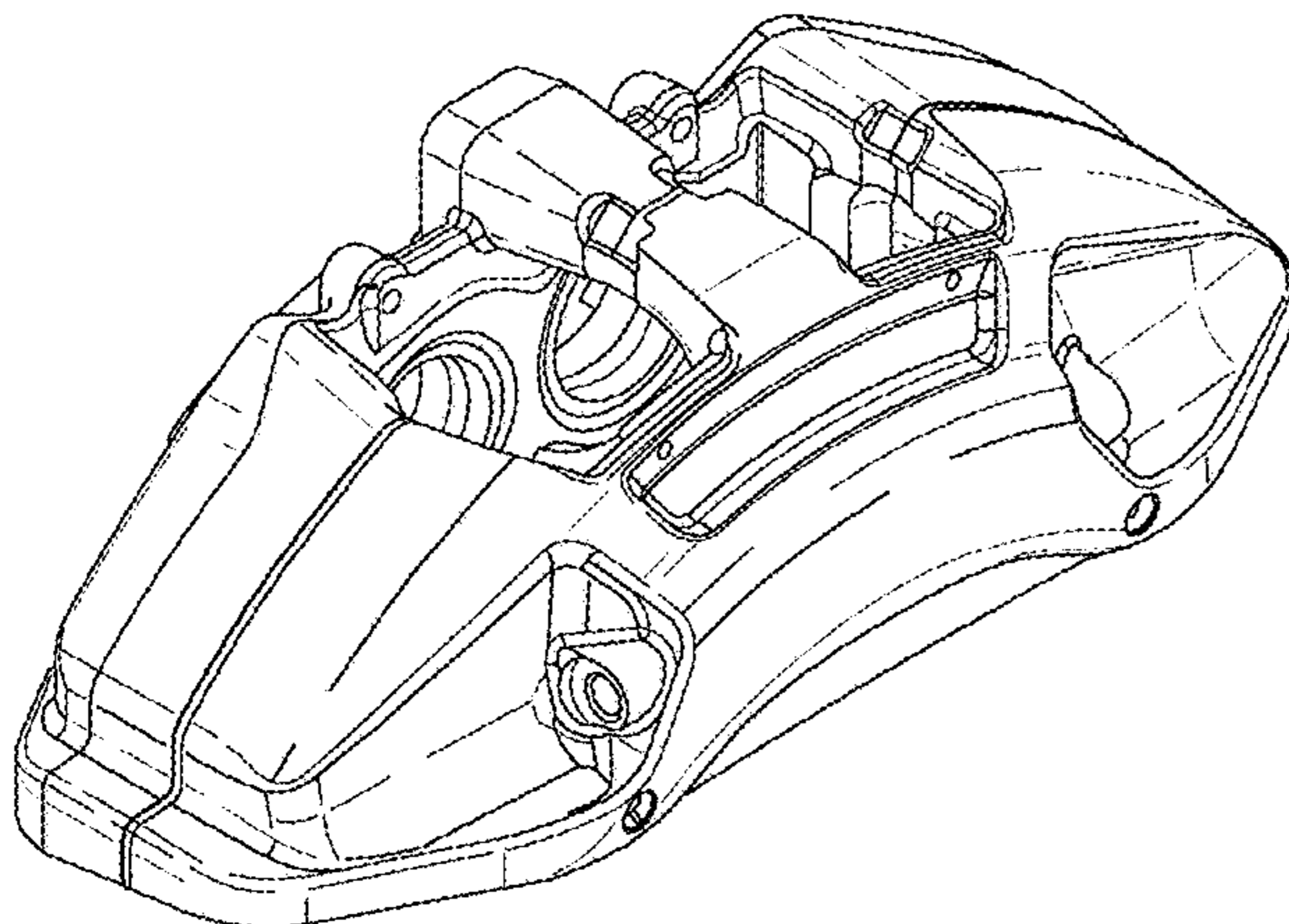
(57) **CLAIM**

The ornamental design for a brake caliper, as shown and described.

DESCRIPTION

FIG. 1 is a top, front, and left side perspective view of a brake caliper embodying our new design;
FIG. 2 is a top, front, and right side perspective view thereof;
FIG. 3 is a front elevation view thereof;
FIG. 4 is a right side elevation view thereof;
FIG. 5 is a left side elevation view thereof;
FIG. 6 is a top plan view thereof;
FIG. 7 is a top, rear, and right side perspective view thereof;
FIG. 8 is a rear elevation view thereof; and,
FIG. 9 is a top, rear, and left side perspective view thereof.

1 Claim, 8 Drawing Sheets



(56)

References Cited

U.S. PATENT DOCUMENTS

D851,566 S * 6/2019 Nessi D12/180
D854,985 S * 7/2019 Comenduli D12/180
10,364,855 B2 * 7/2019 Miyahara F16D 65/0068
D862,327 S * 10/2019 Scotti D12/180
D864,808 S * 10/2019 Crippa D12/180
D864,809 S * 10/2019 Puddu D12/180
D868,654 S * 12/2019 Thorpe D12/180
D868,655 S * 12/2019 Thorpe D12/180
D877,673 S * 3/2020 Oku D12/180
D892,007 S * 8/2020 Scotti D12/180
10,760,630 B2 * 9/2020 Liao F16D 65/092
D902,097 S * 11/2020 Ock D12/180
10,844,917 B2 * 11/2020 Igawa F16D 55/228
10,907,695 B2 * 2/2021 Fischl F16D 65/0075
2016/0053835 A1 * 2/2016 Castellana F16D 55/228
188/72.4
2016/0208872 A1 * 7/2016 Morio F16D 55/228
2017/0037916 A1 * 2/2017 Crippa F16D 65/0977

OTHER PUBLICATIONS

Mike Knott. "Best Brake Calipers: Brake More Smoothly and Efficiently." The Drive., Oct. 13, 2019 [online], [retrieved on Sep. 24, 2021]. Retrieved from the Internet <URL: <https://www.thedrive.com/reviews/30394/best-brake-calipers>>.*
"Brembo Racing Brake Systems 2015-2016." Brembo., Oct. 17, 2014 [online], [retrieved on Sep. 24, 2021]. Retrieved from the Internet <URL: https://www.brembo.com/de/Varie/Brembo_RacingAutoCatalogue.pdf>.*

* cited by examiner

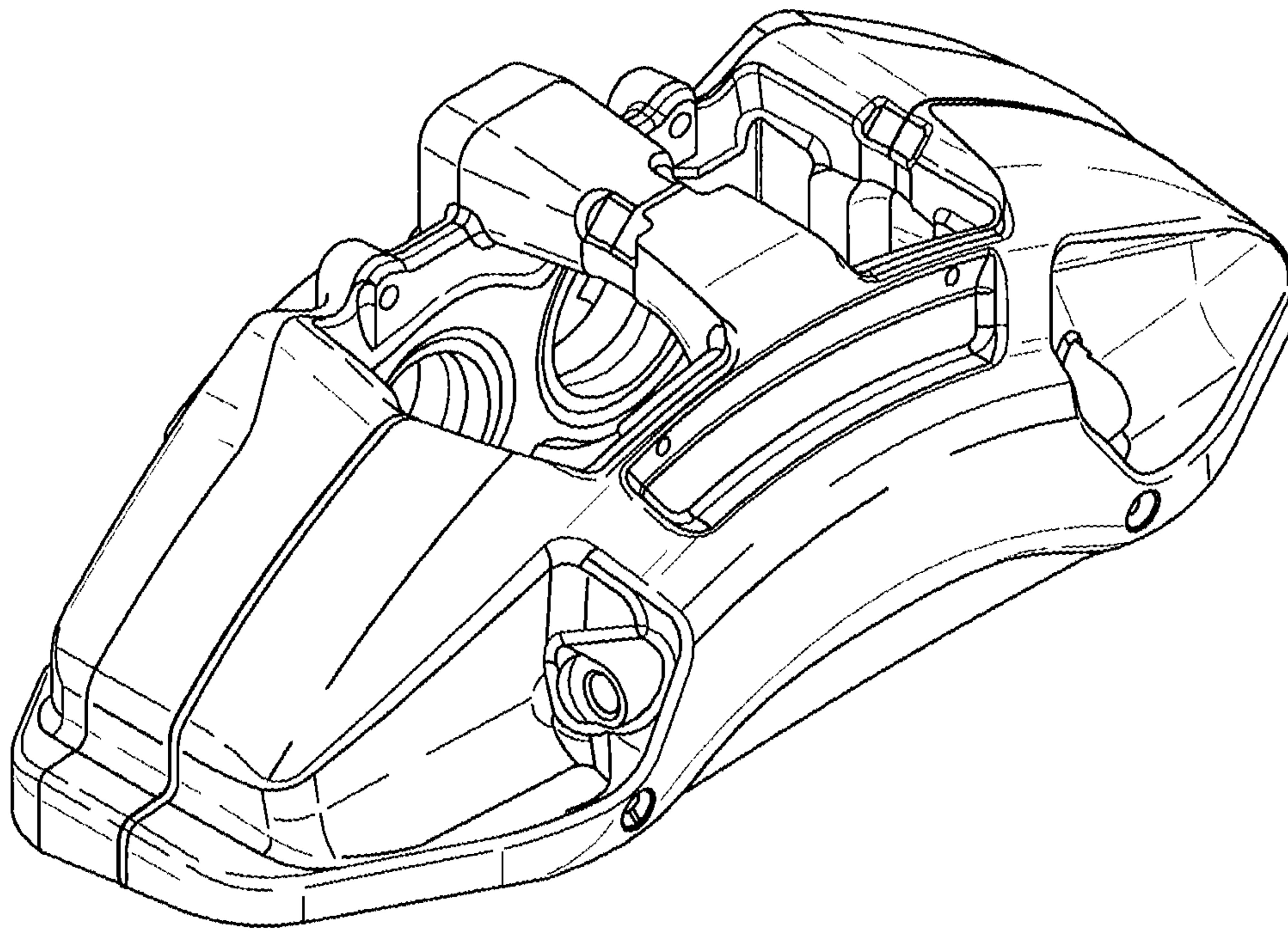


FIG. 1

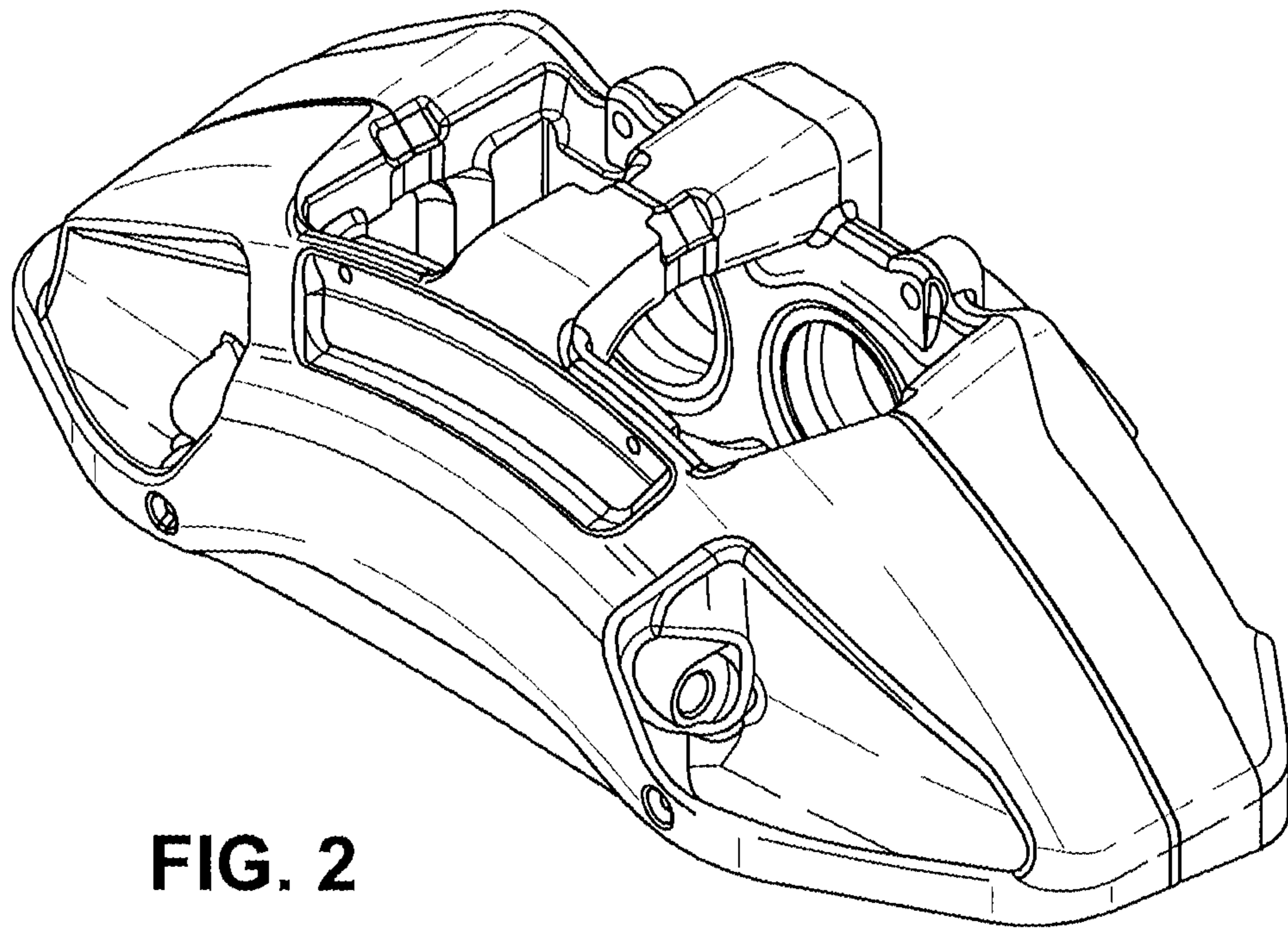


FIG. 2

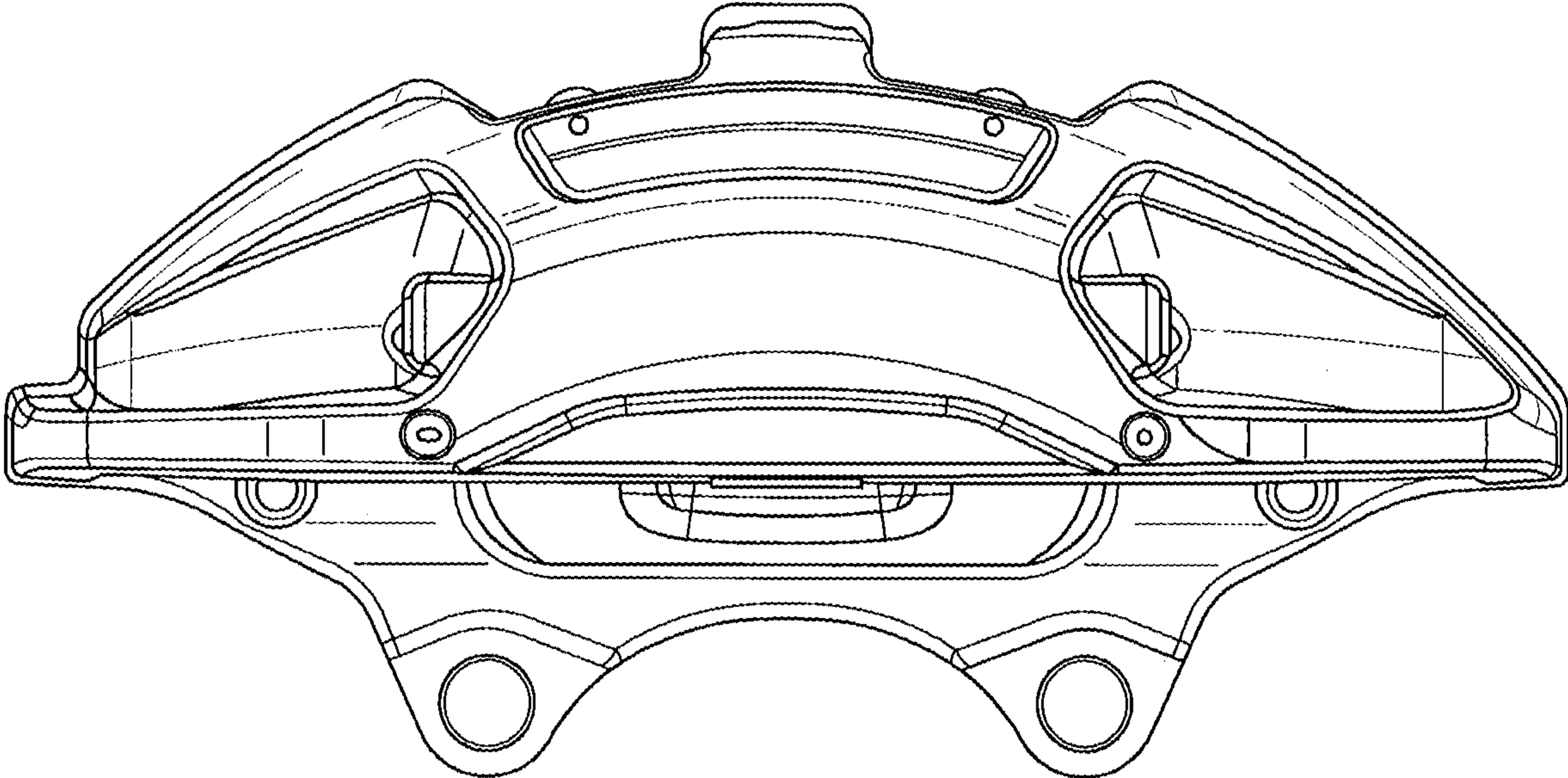


FIG. 3

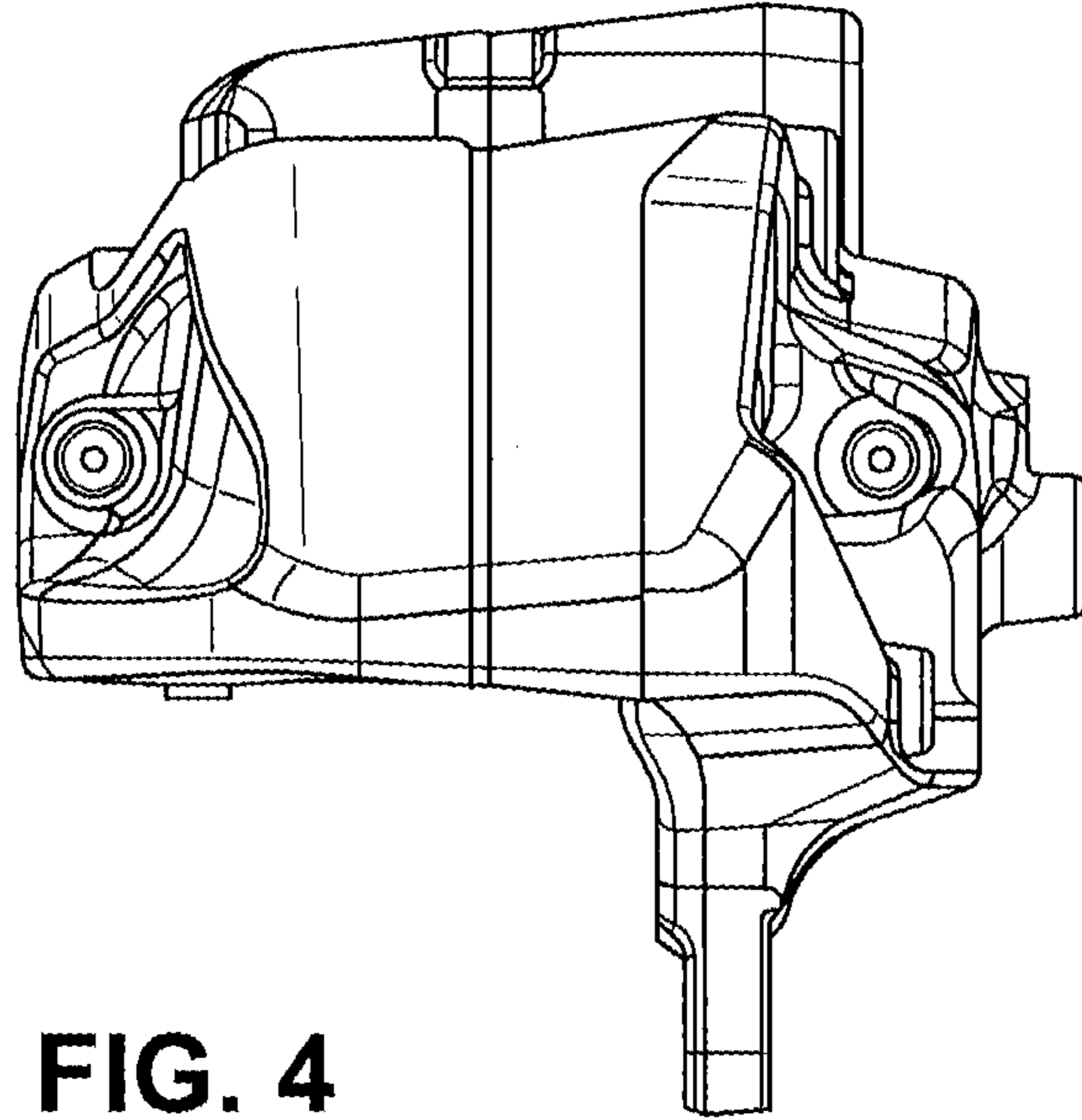


FIG. 4

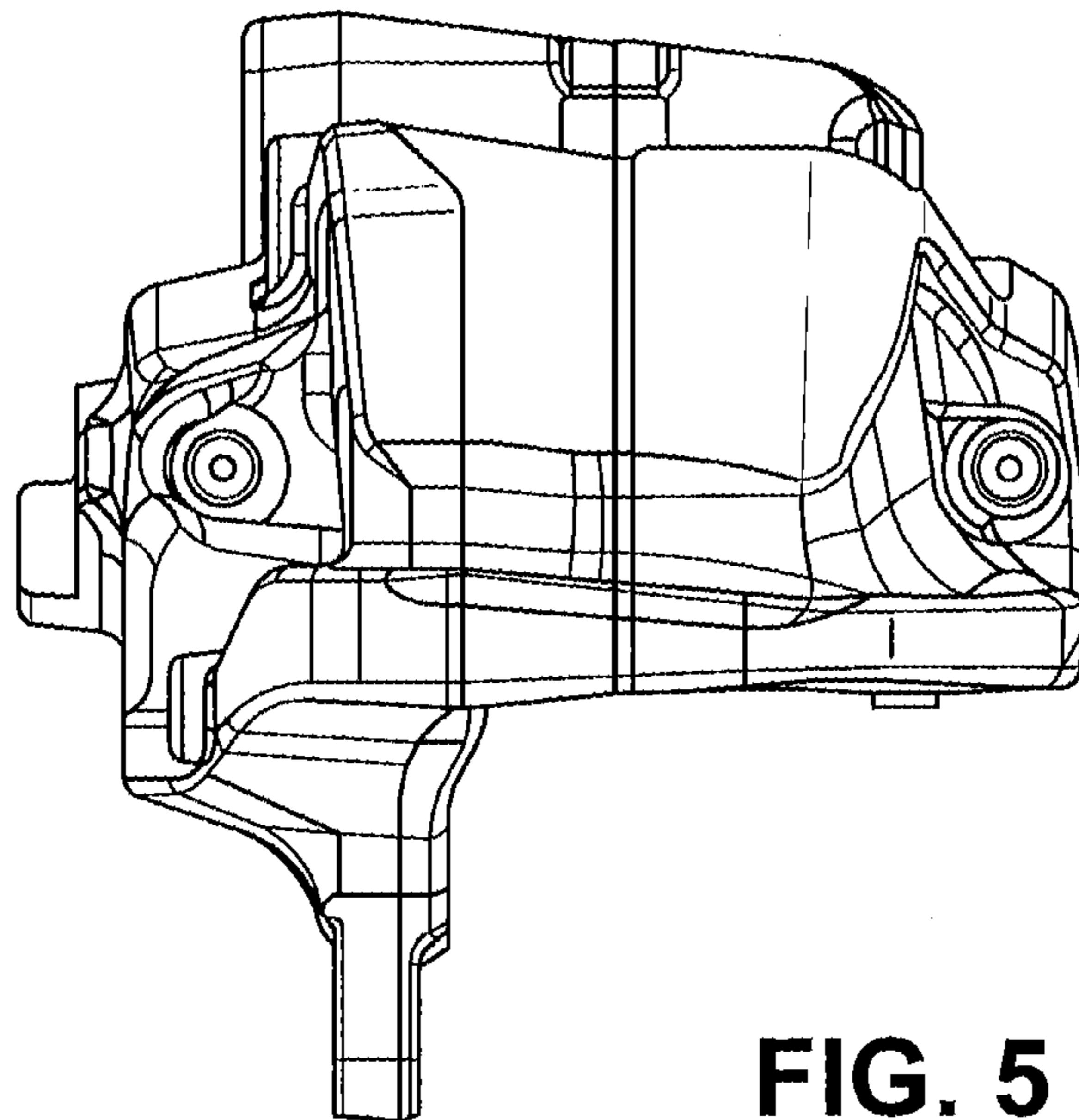


FIG. 5

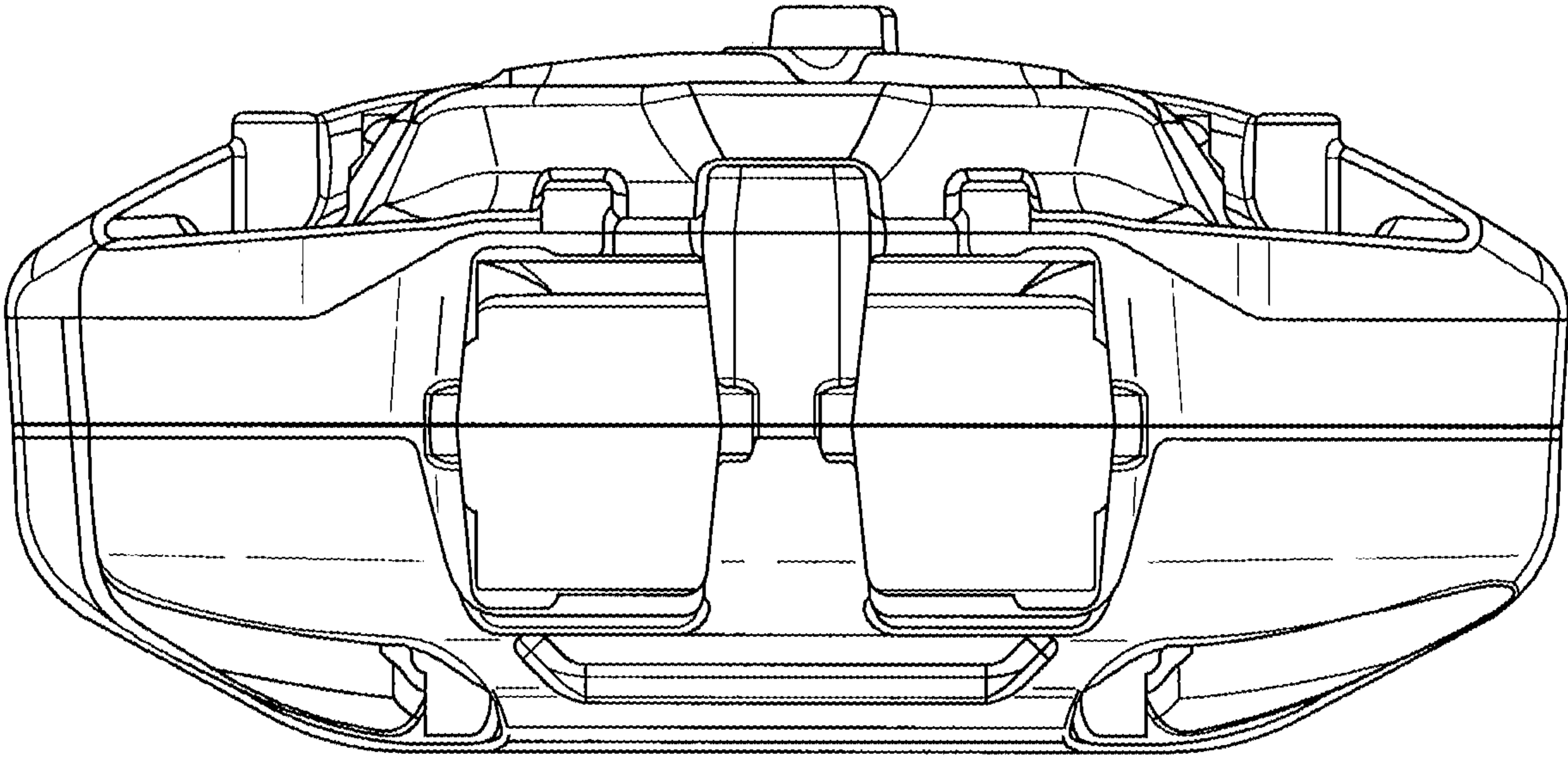


FIG. 6

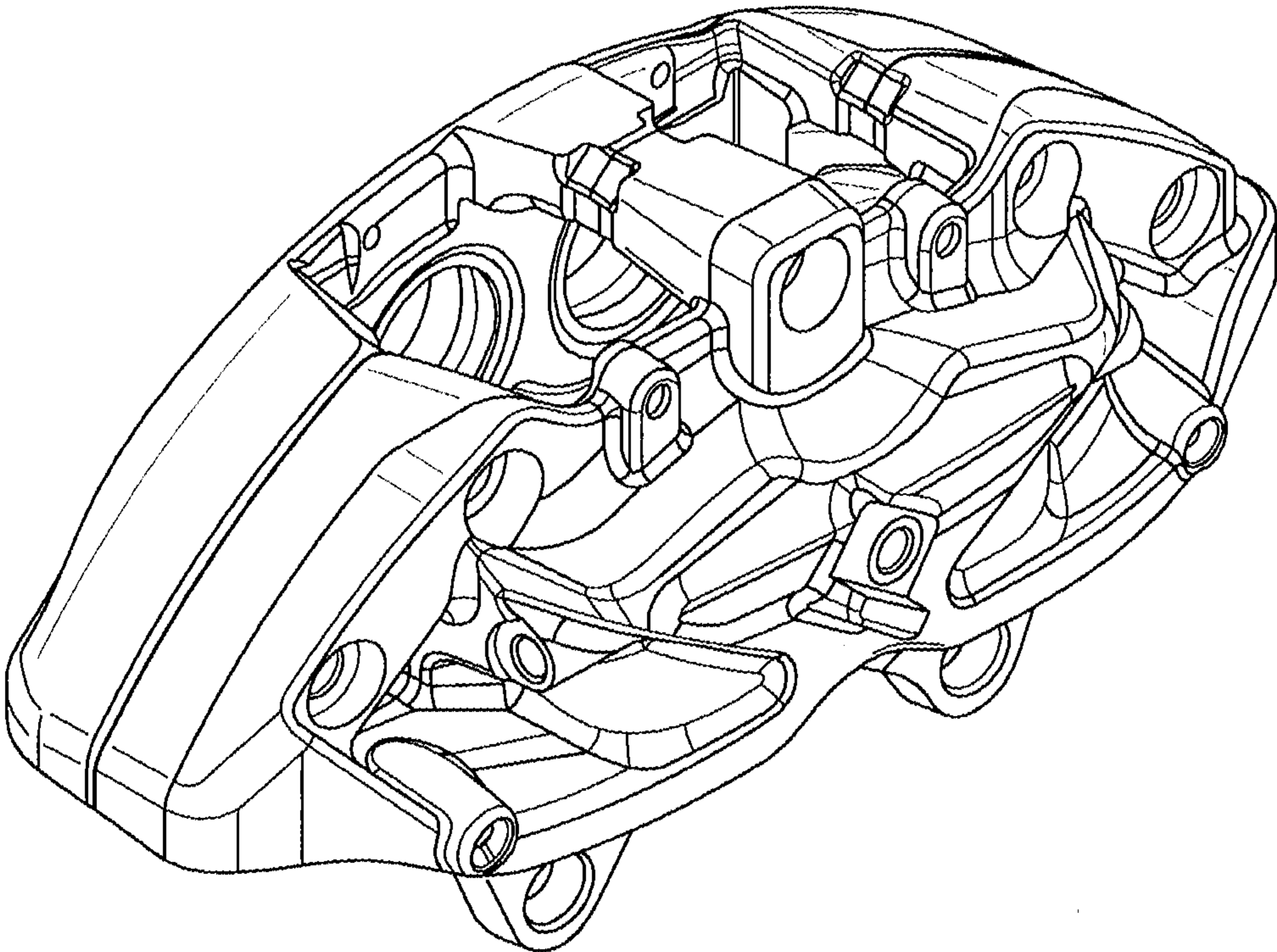


FIG. 7

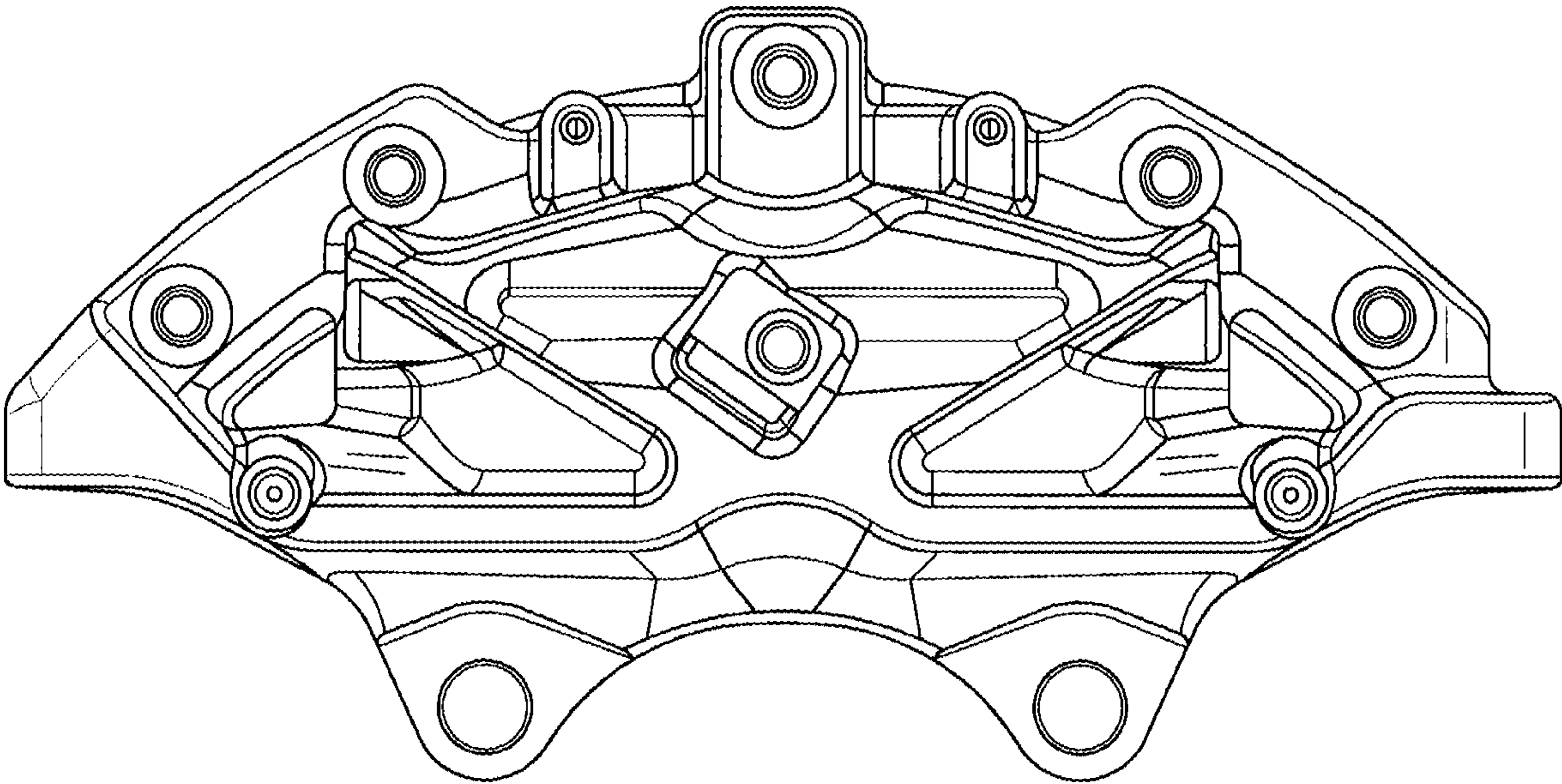


FIG. 8

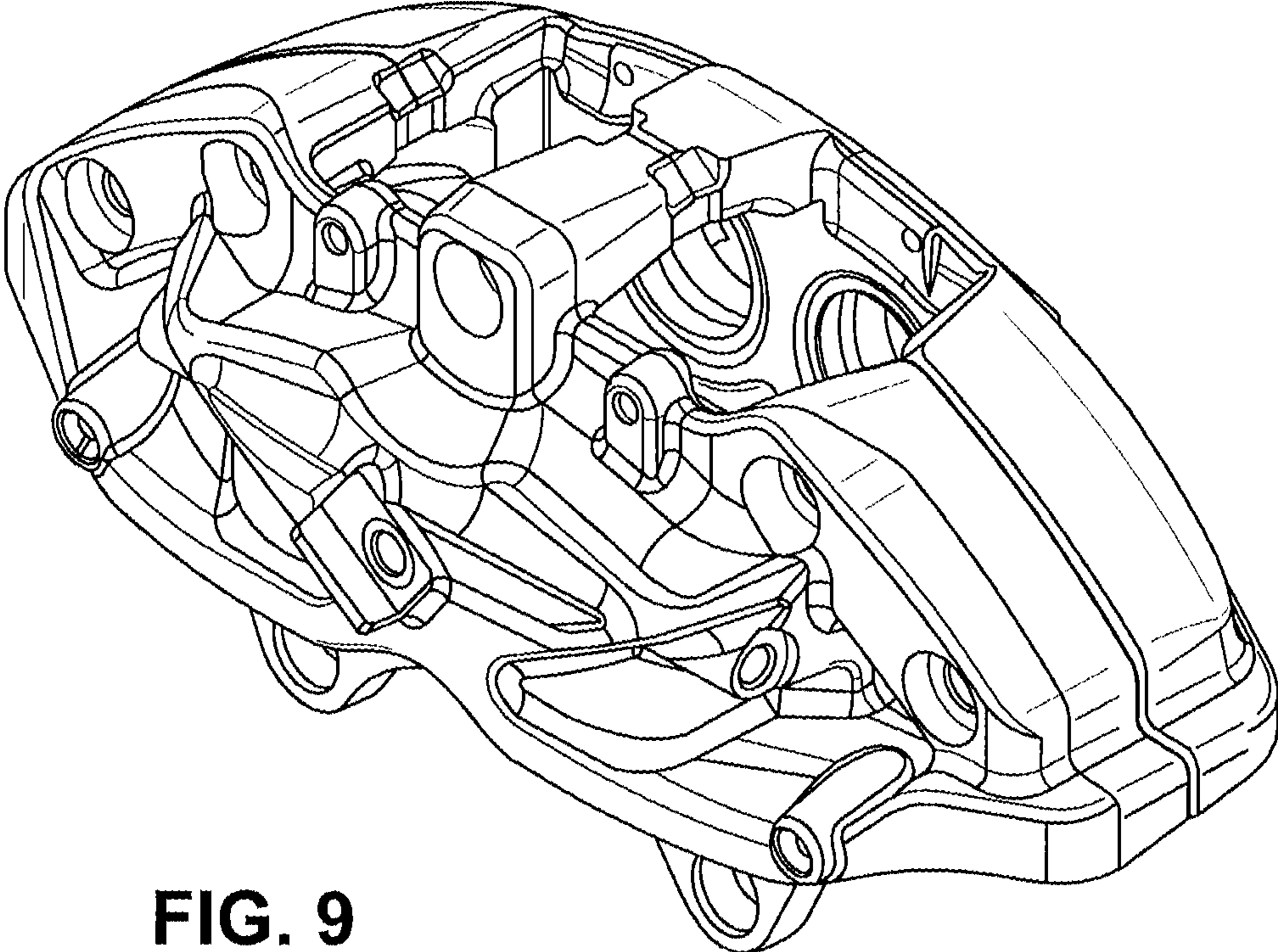


FIG. 9