



US00D941195S

(12) **United States Design Patent** (10) **Patent No.:** **US D941,195 S**
Koo et al. (45) **Date of Patent:** **** Jan. 18, 2022**

(54) **FRONT GRILLE FOR AUTOMOBILE**
(71) Applicant: **HONDA MOTOR CO., LTD.**, Tokyo (JP)
(72) Inventors: **Jaryong Koo**, Torrance, CA (US); **Norihito Ohnuma**, Torrance, CA (US)
(73) Assignee: **HONDA MOTOR CO., LTD.**, Tokyo (JP)

(**) Term: **15 Years**

(21) Appl. No.: **29/744,427**

(22) Filed: **Jul. 29, 2020**

(51) **LOC (13) Cl.** **12-16**

(52) **U.S. Cl.**
USPC **D12/163**

(58) **Field of Classification Search**
USPC D12/82, 85, 86, 88, 89, 90, 91, 92, 93, D12/94, 96, 98, 99, 163, 164, 165, 166, D12/167, 169, 170, 171, 172, 173, 181, D12/190, 192, 196, 223, 400; D21/533, D21/548, 552, 561
CPC B60R 19/00; B60R 19/02; B60R 19/04; B60R 19/16; B60R 19/18; B60R 19/24; B60R 19/26; B60R 19/44; B60R 19/48; B60R 19/52; B60R 19/56; B60R 2019/007; B60R 2019/026; B60R 2019/522; B60R 2019/525; B60R 2019/527; B60R 2019/1813; B60R 2019/1833; B60R 2019/1886; B62D 25/02; B62D 25/08; B62D 25/16; B62D 35/00; B62D 35/02; B60K 11/08; B60K 11/085

See application file for complete search history.

(56) **References Cited**

U.S. PATENT DOCUMENTS

D447,451 S * 9/2001 Im D12/163
D471,846 S * 3/2003 Pfeiffer D12/163
D533,815 S * 12/2006 Matei D12/163

D562,740 S * 2/2008 Ogawa D12/163
D606,460 S * 12/2009 Richards D12/163
D668,589 S * 10/2012 Chung D12/163
D668,591 S * 10/2012 Matei D12/163
D685,695 S * 7/2013 Platto D12/163
D708,555 S * 7/2014 Mackay D12/163
D718,673 S * 12/2014 Thole D12/163

(Continued)

FOREIGN PATENT DOCUMENTS

CN 109455085 A * 3/2019

OTHER PUBLICATIONS

2021 Honda Ridgeline, Published date unavailable [online], [retrieved on Sep. 4, 2021]. Retrieved from the Internet: <https://www.edmunds.com/honda/ridgeline/> (Year: 2021).*

Primary Examiner — Cary M Robinson

Assistant Examiner — Adam C Mager

(74) *Attorney, Agent, or Firm* — Westerman, Hattori, Daniels & Adrian, LLP

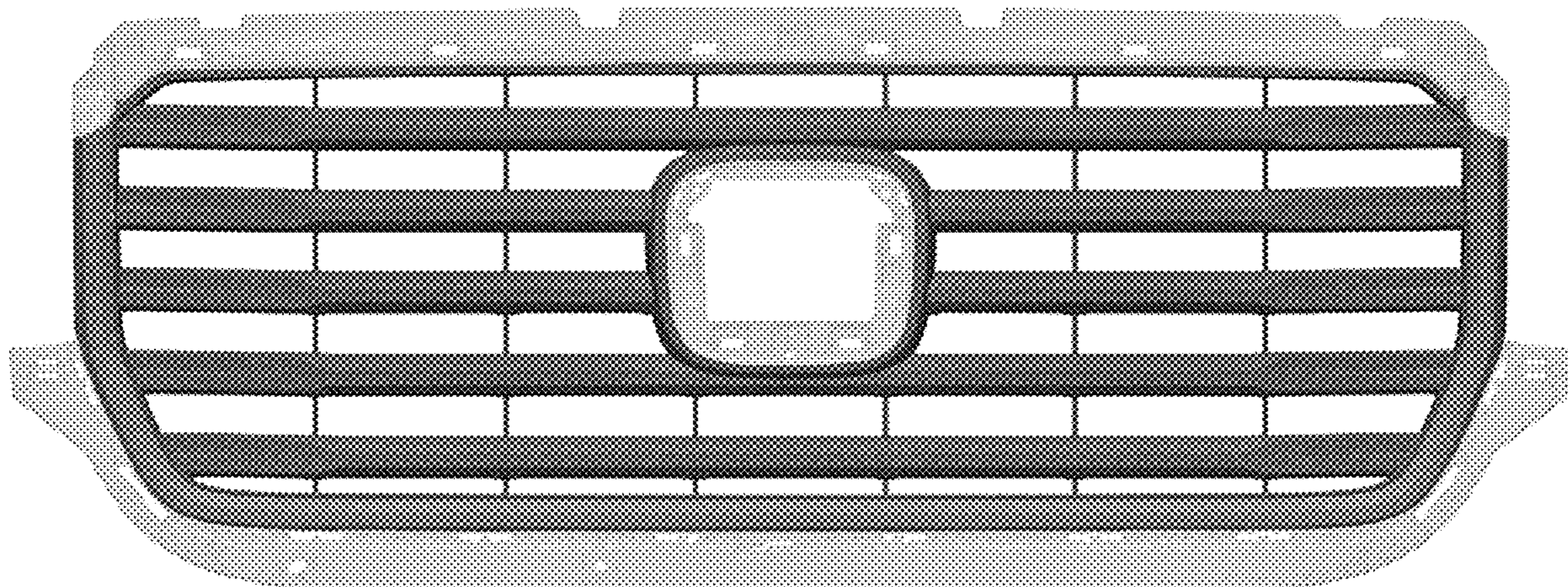
(57) **CLAIM**

The ornamental design for a front grille for automobile, as shown and described.

DESCRIPTION

FIG. 1 is a front perspective view of a front grille for automobile, showing our new design; FIG. 2 is a front elevational view thereof; FIG. 3 is a rear elevational view thereof; FIG. 4 is a top plan view thereof; FIG. 5 is a bottom plan view thereof; FIG. 6 is a left side elevational view thereof; and, FIG. 7 is a right side elevational view thereof. The claimed design is indicated by the relatively dark portions in the figures, while the relatively light portions are environmental structures and form no part of the claimed design. The drawings include grayscale surface shading which illustrates contour, not any particular color.

1 Claim, 7 Drawing Sheets



(56)

References Cited

U.S. PATENT DOCUMENTS

| | | | | | | |
|--------------|----|---|---------|-----------|-------|-----------------------|
| D802,491 | S | * | 11/2017 | Mainville | | D12/163 |
| D805,965 | S | * | 12/2017 | Davis | | D12/163 |
| D824,811 | S | * | 8/2018 | Mainville | | D12/163 |
| D828,791 | S | * | 9/2018 | Jang | | D12/163 |
| D830,242 | S | * | 10/2018 | Zipfel | | D12/163 |
| D848,599 | S | * | 5/2019 | Schramski | | D23/388 |
| D853,286 | S | * | 7/2019 | Imai | | D12/163 |
| D863,129 | S | * | 10/2019 | Zipfel | | D12/163 |
| D864,052 | S | * | 10/2019 | Zipfel | | D12/163 |
| D864,053 | S | * | 10/2019 | Zipfel | | D12/163 |
| D885,999 | S | * | 6/2020 | Hamilton | | D12/163 |
| D887,319 | S | * | 6/2020 | Hamilton | | D12/163 |
| D918,789 | S | * | 5/2021 | Izard | | D12/163 |
| 2004/0190985 | A1 | * | 9/2004 | Aigner | | B60R 19/52 403/329 |
| 2015/0321548 | A1 | * | 11/2015 | Hori | | F01P 7/10 180/68.1 |

* cited by examiner

FIG. 1

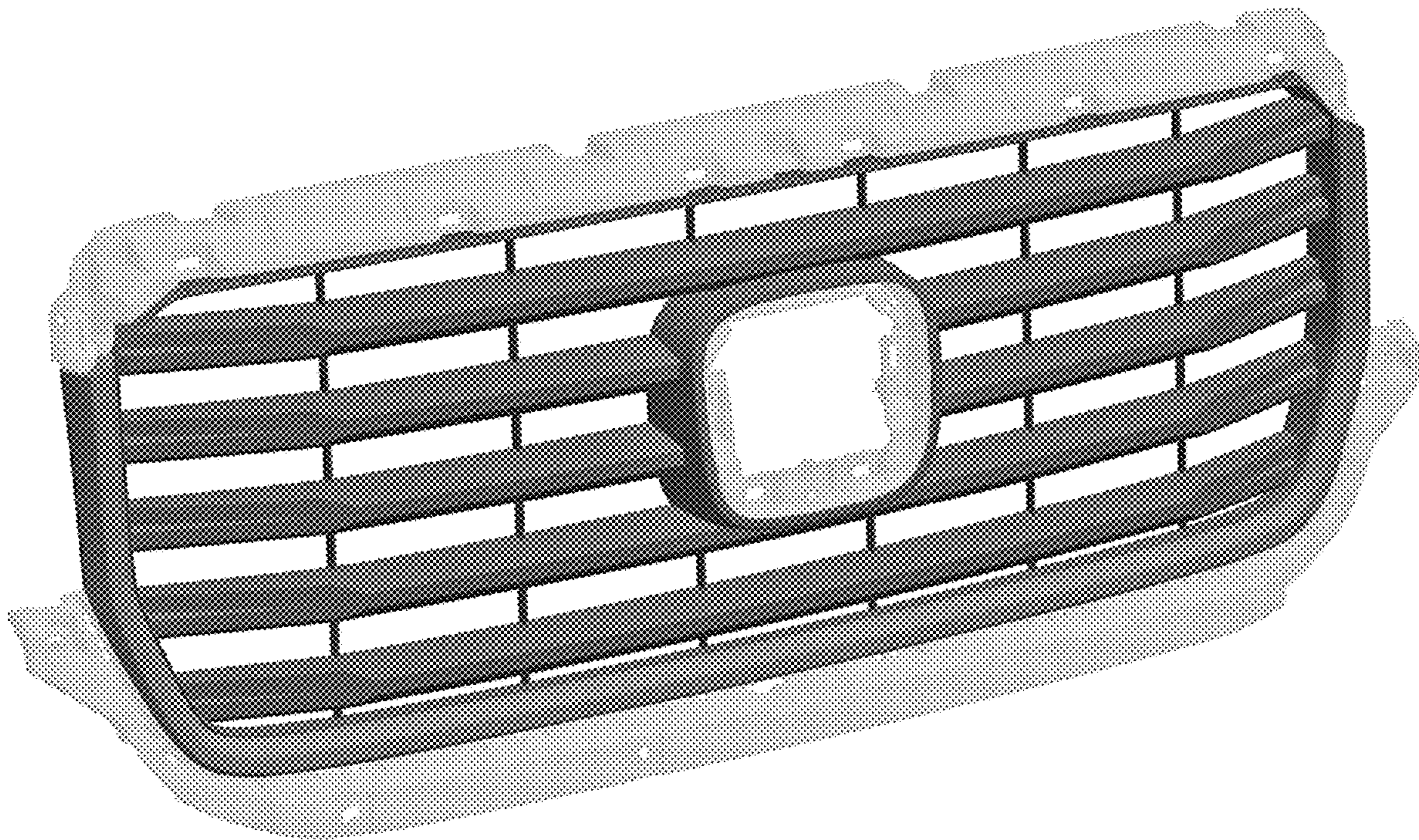


FIG. 2

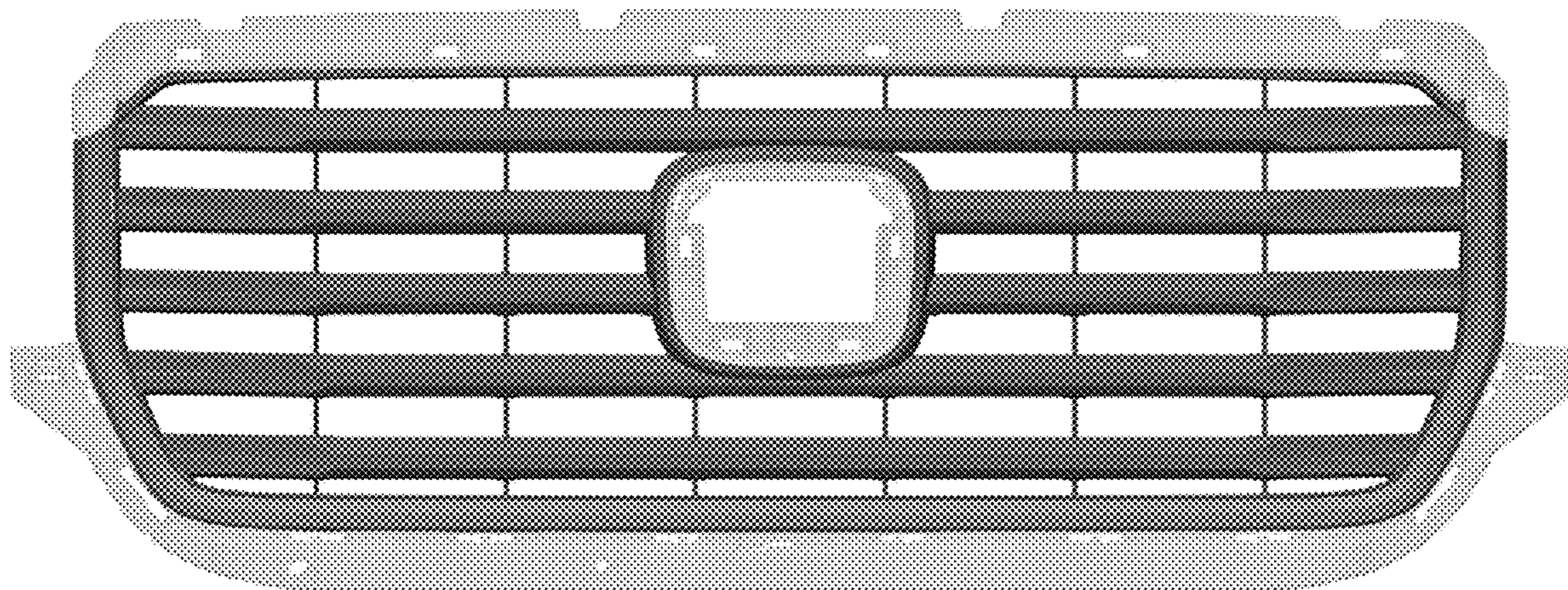


FIG. 3

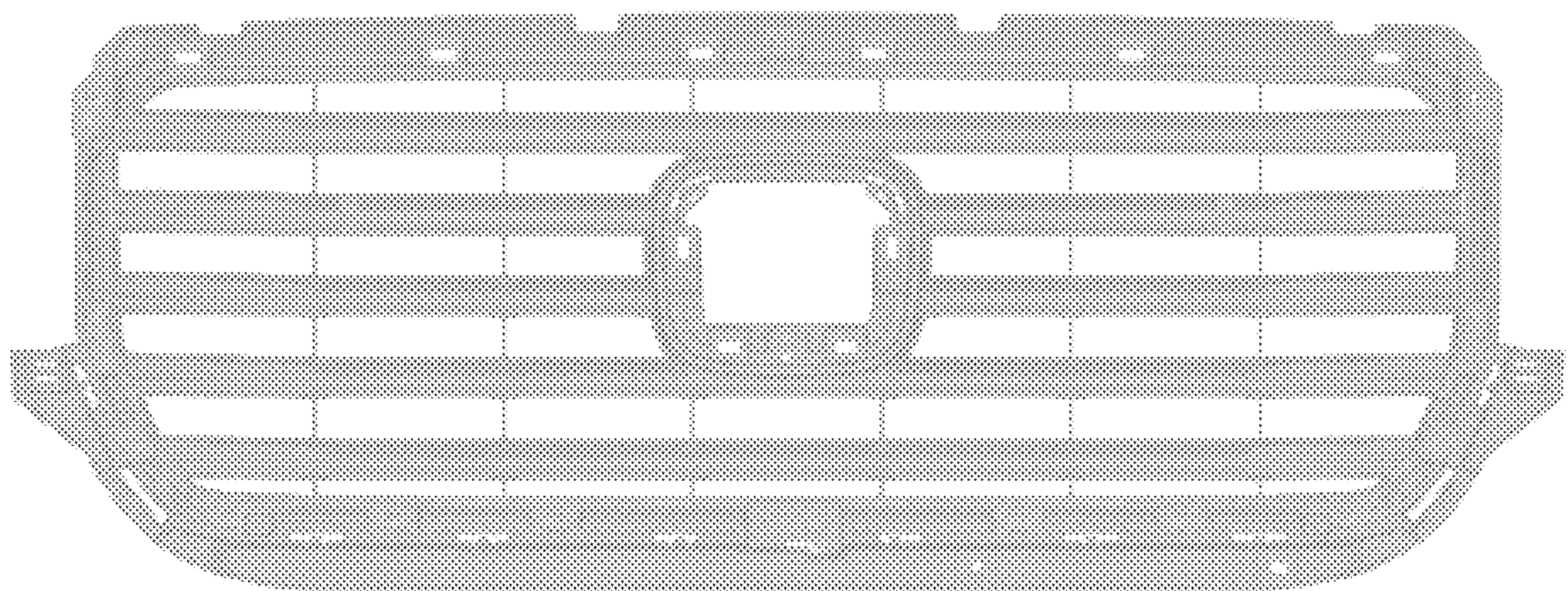


FIG. 4

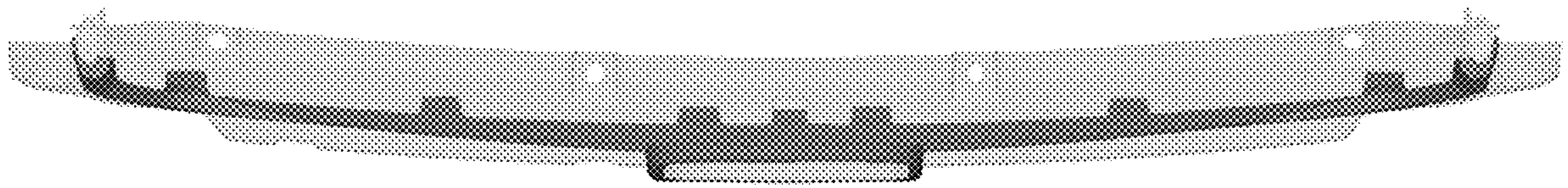


FIG. 5



FIG. 6

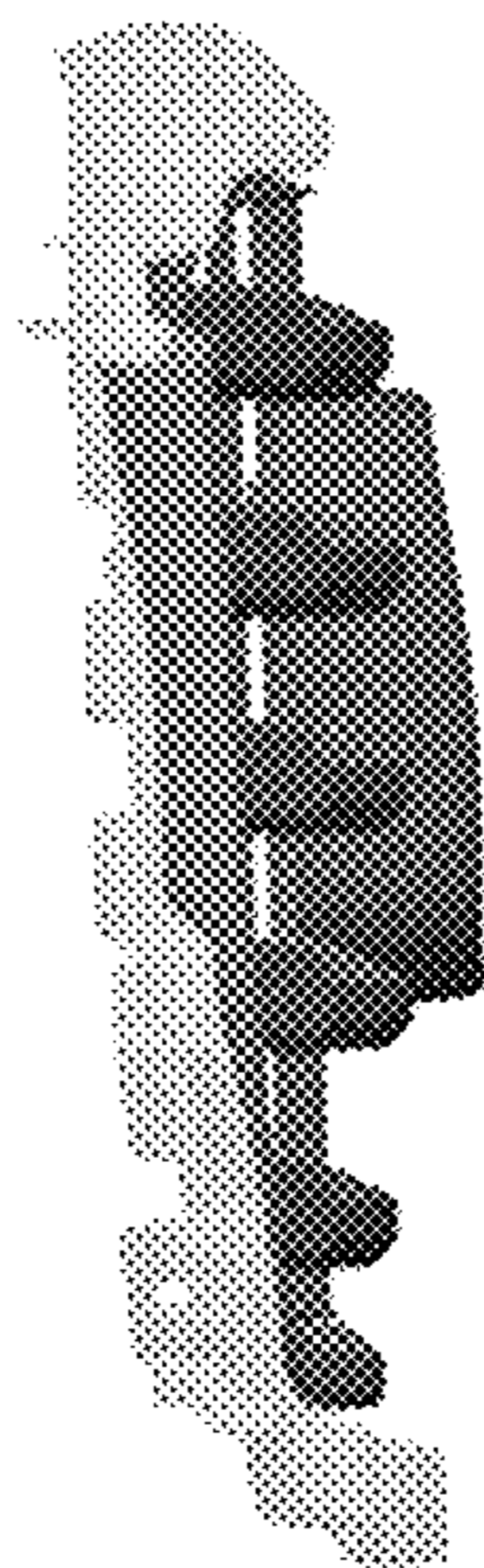


FIG. 7

