



US00D941193S

(12) **United States Design Patent**
Cheng

(10) **Patent No.:** **US D941,193 S**
(45) **Date of Patent:** **** Jan. 18, 2022**

(54) **ROLLATOR**

- (71) Applicant: **MERITS HEALTH PRODUCTS CO., LTD.**, Taichung (TW)
- (72) Inventor: **Ming-Chuan Cheng**, Taichung (TW)
- (73) Assignee: **MERITS HEALTH PRODUCTS CO., LTD.**, Taichung (TW)

(**) Term: **15 Years**

(21) Appl. No.: **29/722,225**

(22) Filed: **Jan. 28, 2020**

(30) **Foreign Application Priority Data**

Jan. 2, 2020 (TW) 109300011

(51) **LOC (13) Cl.** **12-12**

(52) **U.S. Cl.**
USPC **D12/130**

(58) **Field of Classification Search**

USPC D12/128, 129, 130, 131, 132, 133
 CPC A61H 3/00; A61H 3/04; A61H 2003/001;
 A61H 2003/002; A61H 2003/003; A61H
 2003/004; A61H 2003/005; A61H
 2003/006; A61H 2003/007; A61H
 2003/043; A61H 2003/046

See application file for complete search history.

(56) **References Cited**

U.S. PATENT DOCUMENTS

- 9,381,132 B2 * 7/2016 Chen A61H 3/04
- D789,255 S * 6/2017 Delatorre D12/130
- D837,697 S * 1/2019 Luo D12/130
- D865,575 S * 11/2019 Lin D12/130
- D897,243 S * 9/2020 Tsai D12/130
- D897,244 S * 9/2020 Tangen D12/130
- D902,791 S * 11/2020 Fellingham D12/130
- 2020/0352816 A1 * 11/2020 Lu A61H 1/00

FOREIGN PATENT DOCUMENTS

- CN 108272605 A * 7/2018
- CN 108785027 A * 11/2018
- EP 2921151 A1 * 9/2015 A61H 3/04
- EP 3153147 A1 * 4/2017 B60L 15/2018
- KR 200486351 Y1 * 5/2018
- KR 20200120995 A * 10/2020

(Continued)

OTHER PUBLICATIONS

Merits Health Products Rollator W469, Published date unavailable [online]. [retrieved on Sep. 26, 2021], Retrieved from the Internet: <https://www.meritshealth.com/patient-aids/rollator-and-walker/469> (Year: 2021).*

(Continued)

Primary Examiner — Cary M Robinson

Assistant Examiner — Adam C Mager

(74) *Attorney, Agent, or Firm* — Muncy, Geissler, Olds & Lowe, P.C.

(57) **CLAIM**

The ornamental design for a rollator, as shown and described.

DESCRIPTION

FIG. 1 is a perspective view of a rollator of the present design;

FIG. 2 is a front view thereof;

FIG. 3 is a back view thereof;

FIG. 4 is a left side view thereof;

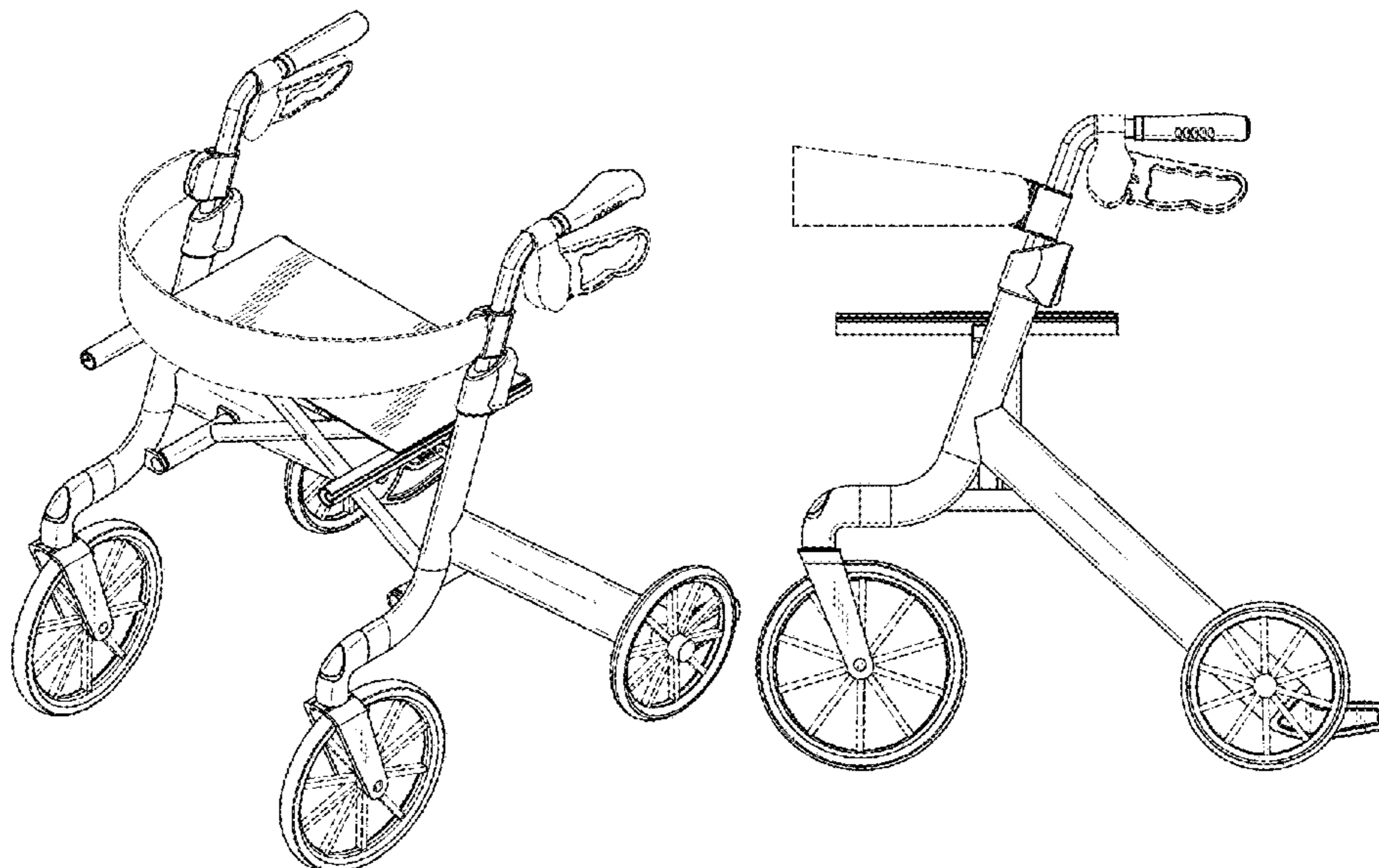
FIG. 5 is a right side view thereof;

FIG. 6 is a top view thereof; and,

FIG. 7 is a bottom view thereof.

The broken lines shown in FIGS. 1-7 depict portions of the rollator that form no part of the claimed design.

1 Claim, 7 Drawing Sheets



(56)

References Cited

FOREIGN PATENT DOCUMENTS

WO WO-2020236747 A1 * 11/2020 A61B 5/1117
WO WO-2021037936 A1 * 3/2021 A61H 3/04

OTHER PUBLICATIONS

Rehasense Rollator, Published date unavailable [online], [retrieved on Sep. 26, 2021], Retrieved from the Internet: <https://careoutlet.co.uk/rehasense-space-lx-lightweight-aluminum-rollator> (Year: 2021).*

* cited by examiner

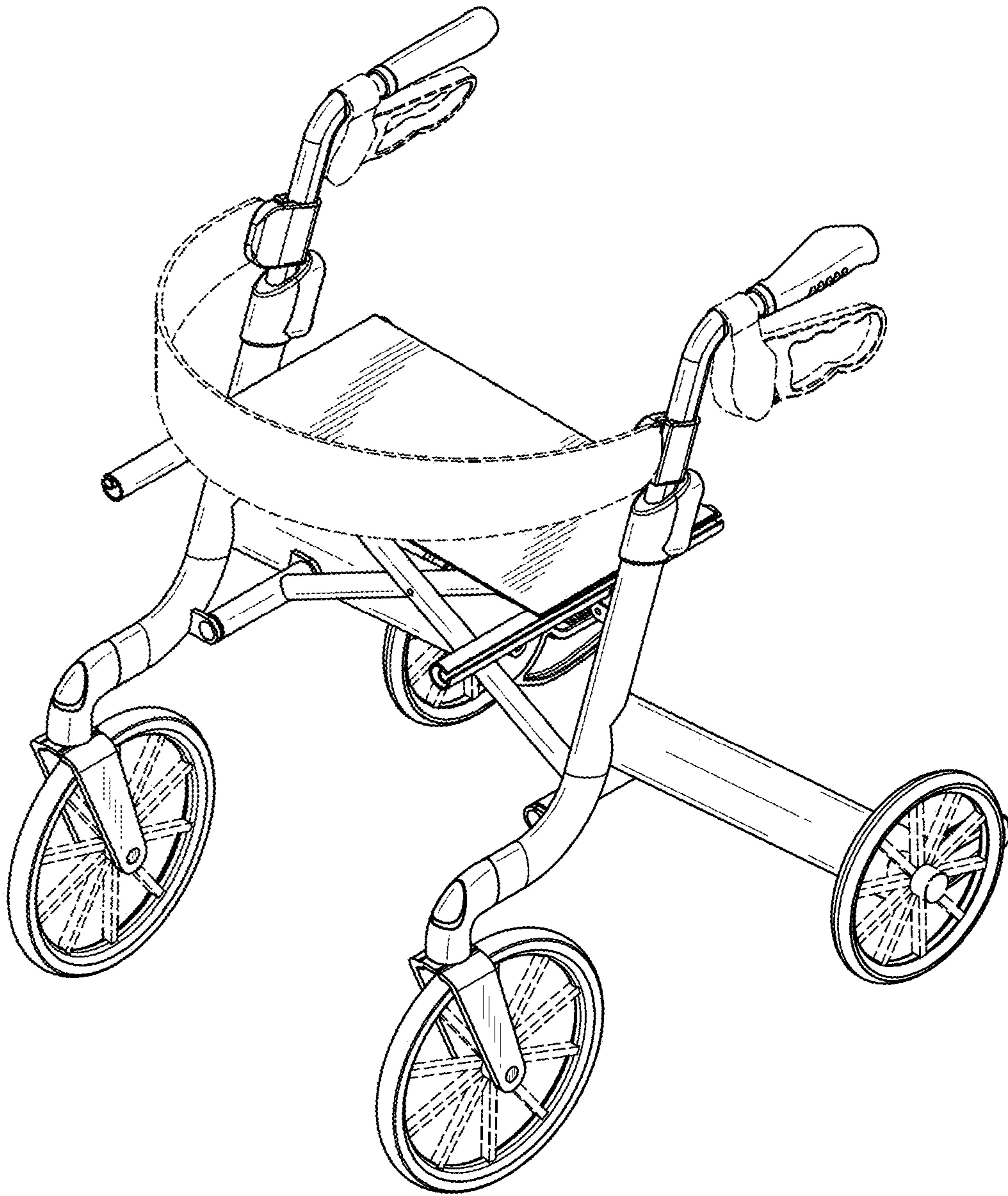


FIG. 1

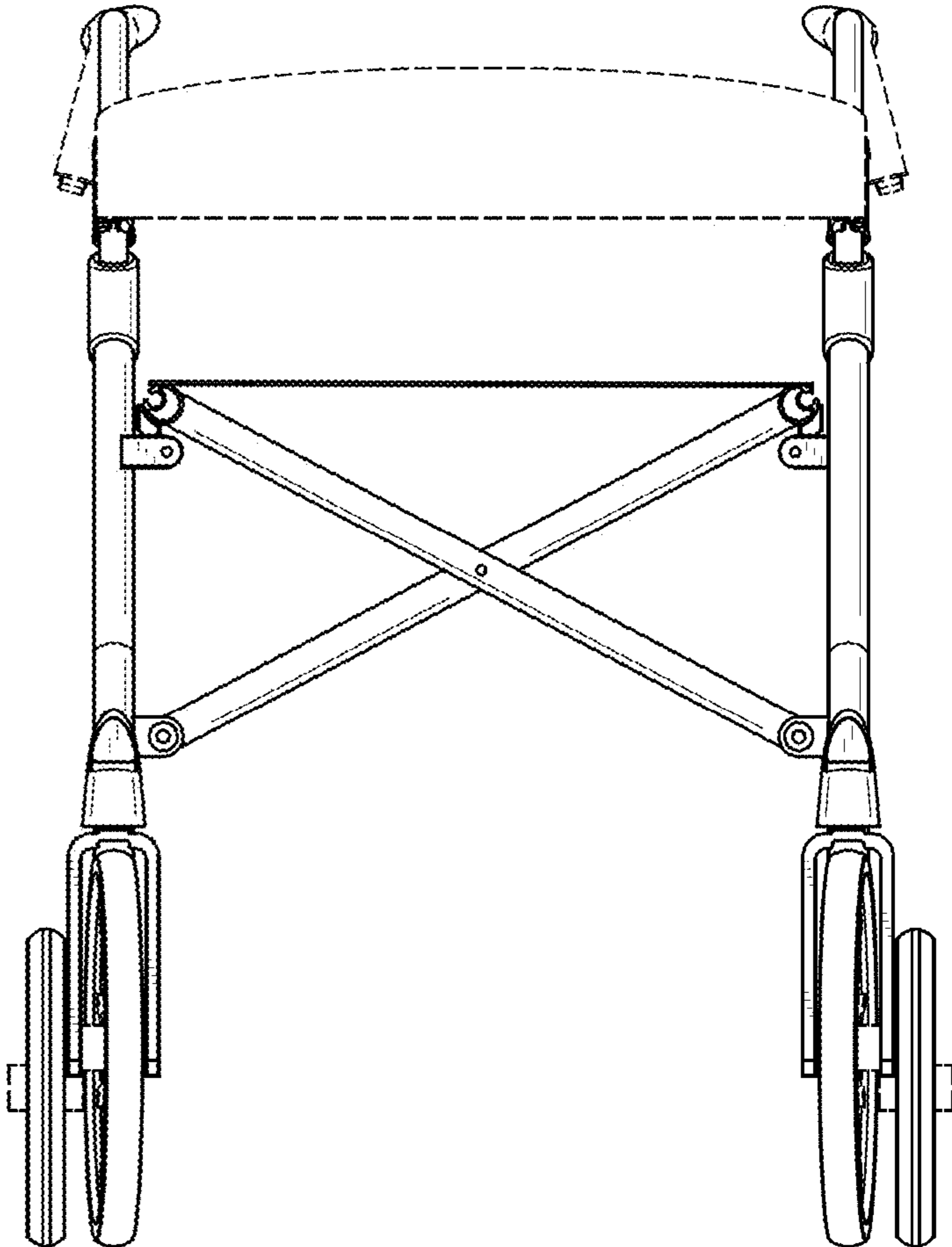


FIG. 2

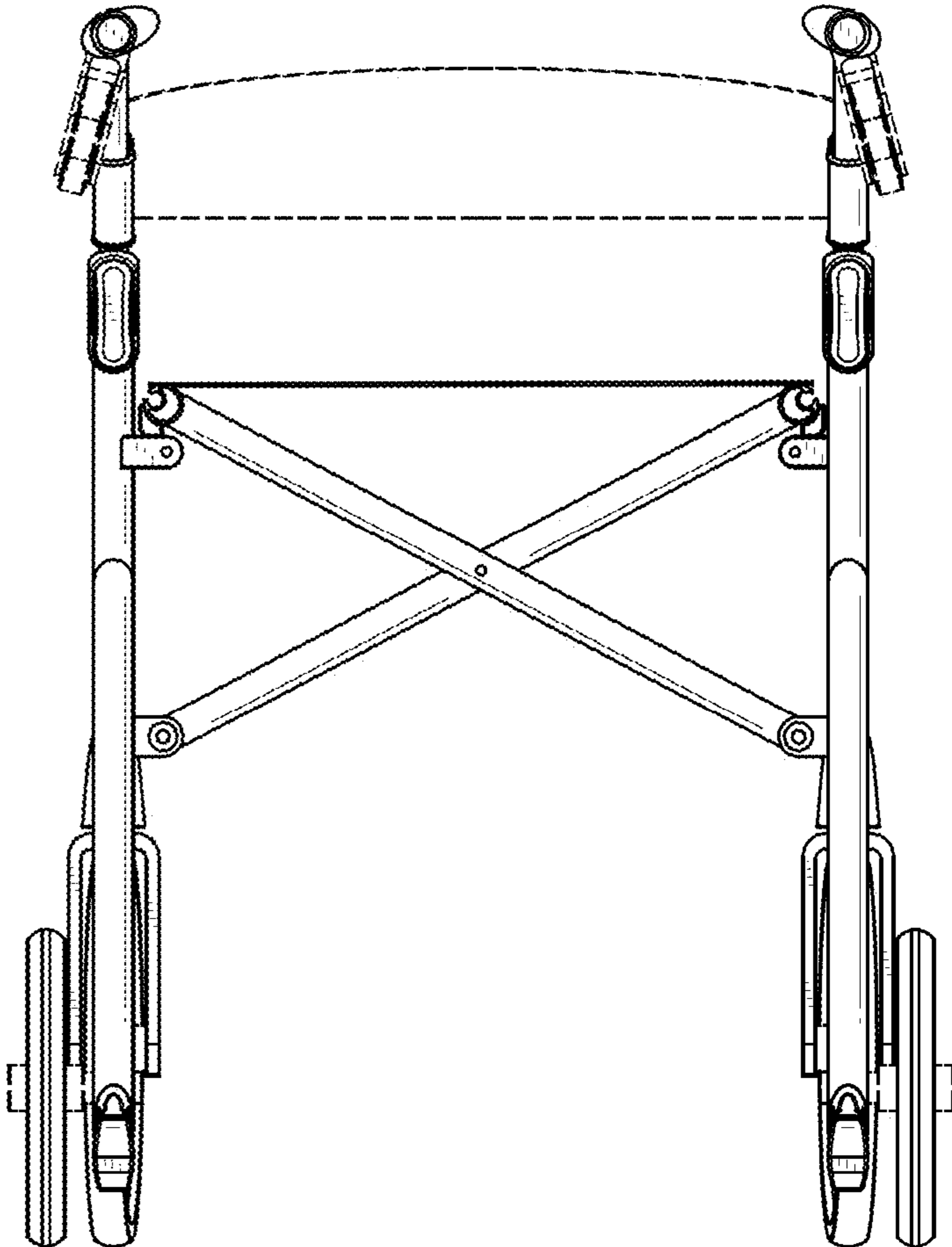


FIG. 3

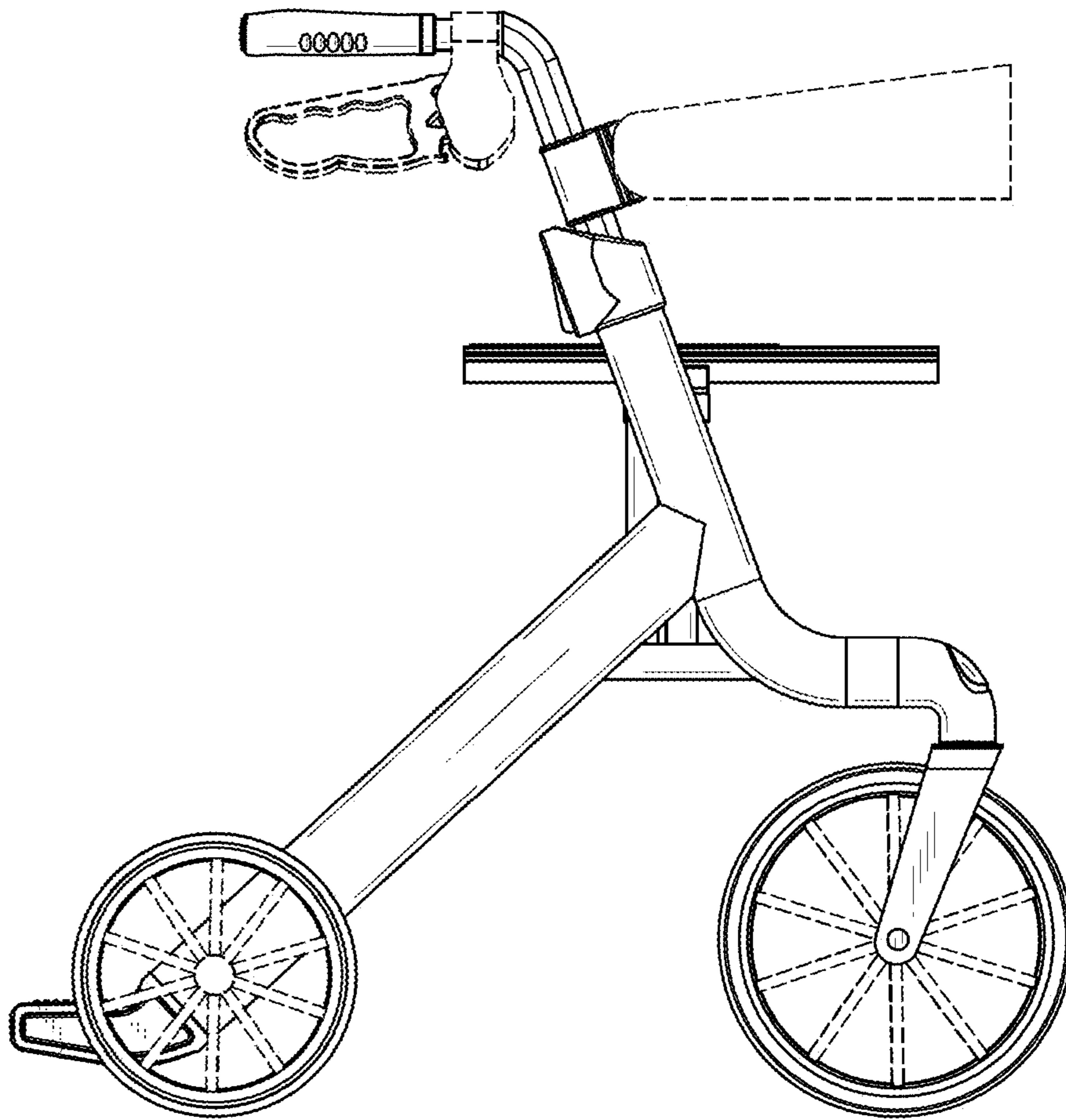


FIG. 4

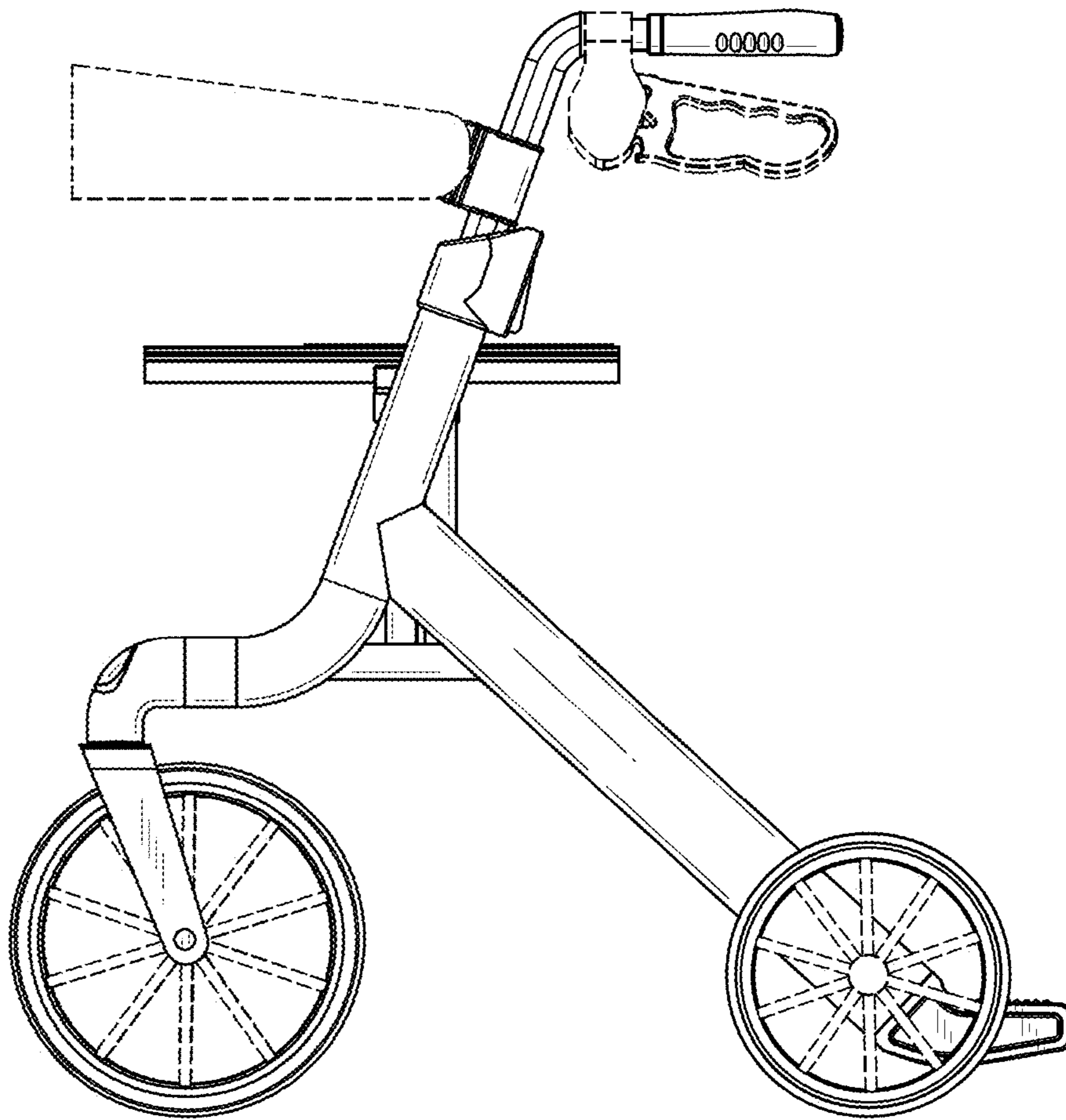


FIG. 5

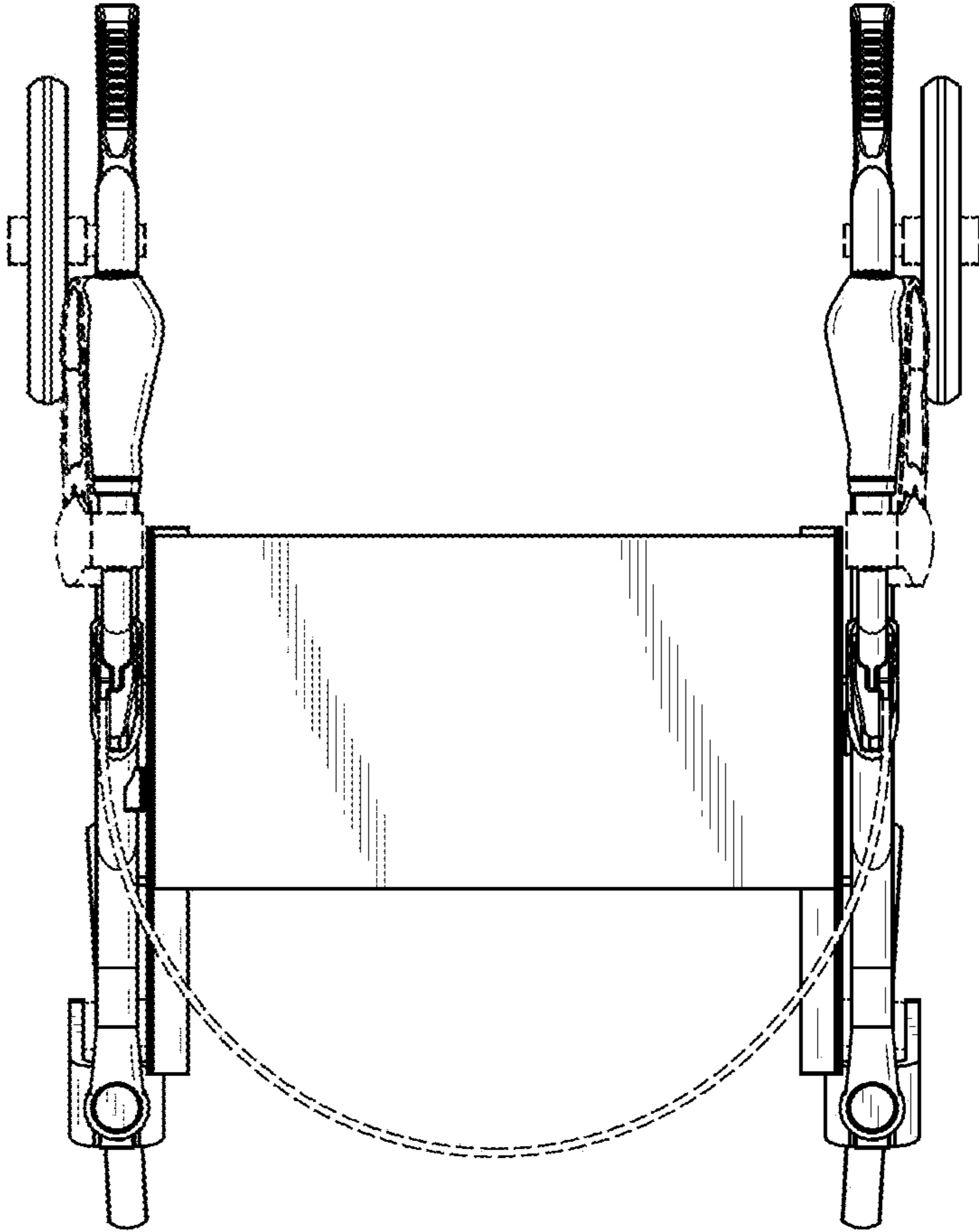


FIG. 6

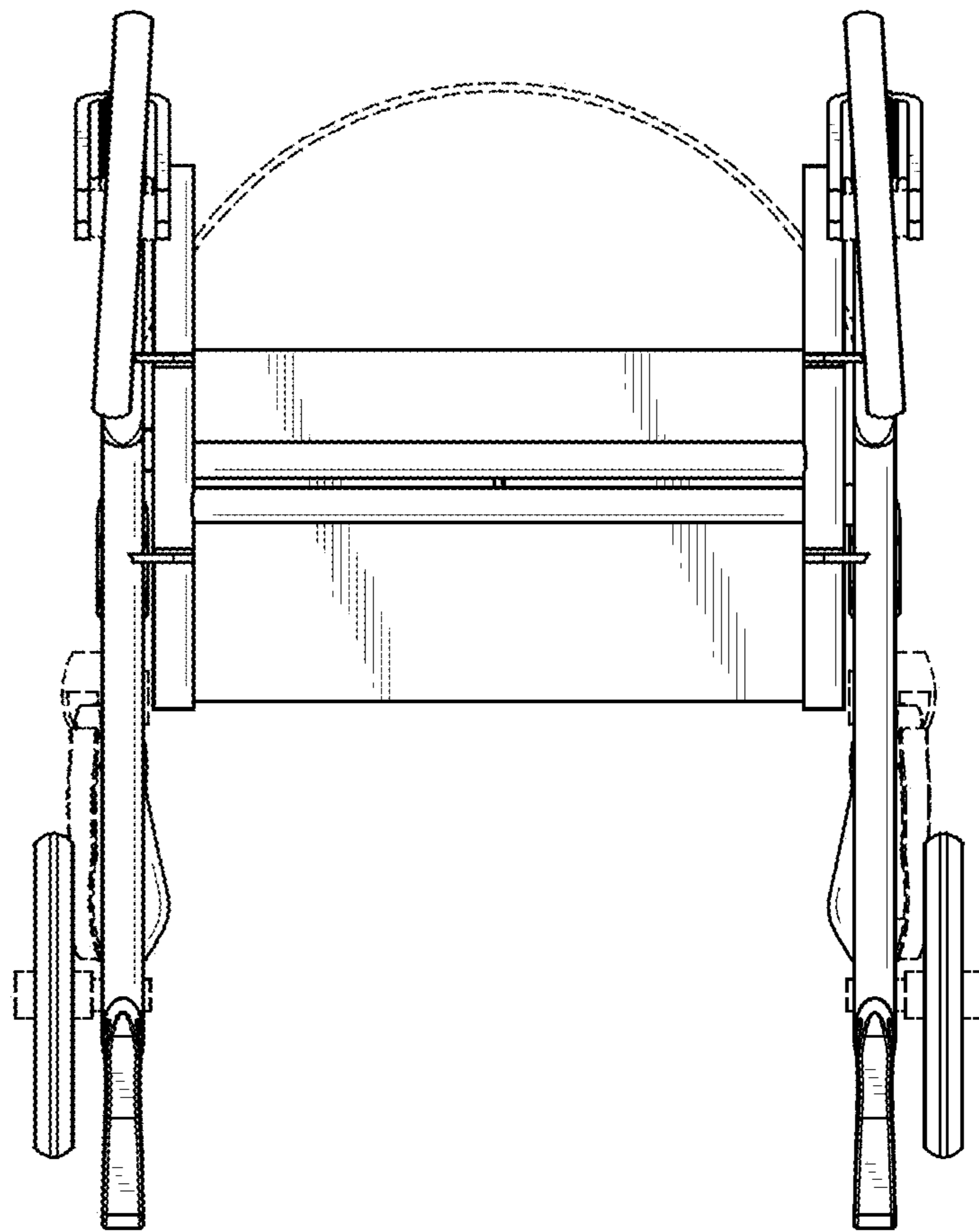


FIG. 7