



US00D941192S

(12) **United States Design Patent**
Du

(10) **Patent No.:** **US D941,192 S**
(45) **Date of Patent:** **** Jan. 18, 2022**

- (54) **THREE-WHEELED BABY CART**
- (71) Applicant: **Yongzhen Du**, Guangdong (CN)
- (72) Inventor: **Yongzhen Du**, Guangdong (CN)
- (**) Term: **15 Years**
- (21) Appl. No.: **29/692,966**
- (22) Filed: **May 30, 2019**
- (51) **LOC (13) Cl.** **12-12**
- (52) **U.S. Cl.**
USPC **D12/129**
- (58) **Field of Classification Search**
USPC D12/129
CPC B62B 7/00-04; B62B 9/00-28
See application file for complete search history.

- D715,701 S * 10/2014 Chen D12/129
- D811,950 S * 3/2018 Hanson B62B 9/20
D12/129
- D915,247 S * 4/2021 Haley D12/129

* cited by examiner

Primary Examiner — Charles D Hanson

(57) **CLAIM**

The ornamental design for a three-wheeled baby cart, as shown and described.

DESCRIPTION

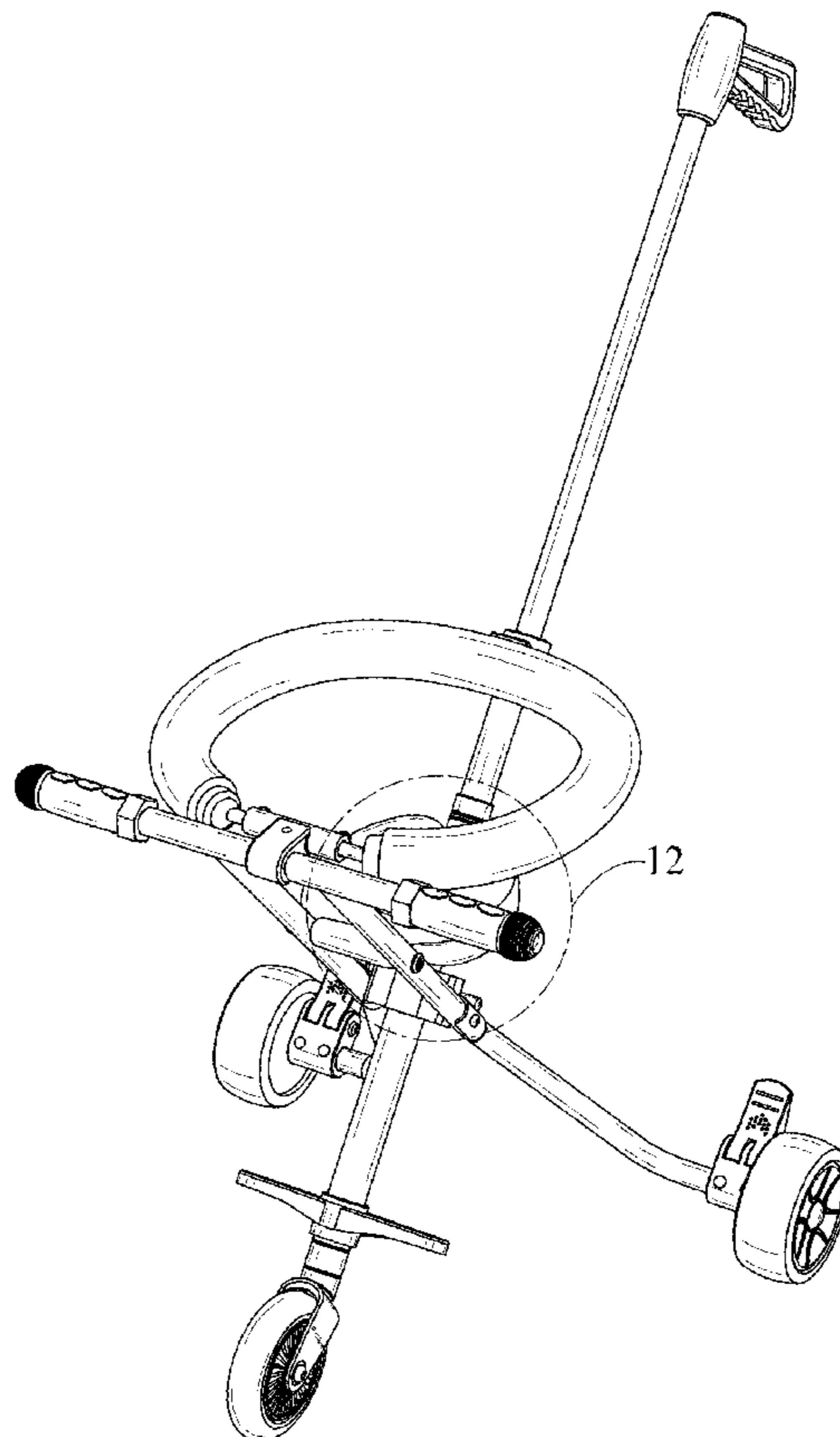
FIG. 1 is a top, front and right side perspective view of a three-wheeled baby cart showing my new design;
 FIG. 2 is a front and right side perspective view thereof;
 FIG. 3 is a front elevational view thereof;
 FIG. 4 is a rear elevational view thereof;
 FIG. 5 is a left side view thereof;
 FIG. 6 is a right side view thereof;
 FIG. 7 is a top plan view thereof;
 FIG. 8 is a bottom plan view thereof;
 FIG. 9 is a top, front and right side perspective view showing the three-wheeled baby cart in a disassembled state;
 FIG. 10 is a top, rear and left side perspective view thereof;
 FIG. 11 is a bottom and right side perspective view thereof;
 FIG. 12 is an enlarged view of portion 12 in FIG. 1;
 FIG. 13 is an enlarged view of portion 13 in FIG. 6;
 FIG. 14 is an enlarged view of portion 14 in FIG. 6;
 FIG. 15 is an enlarged view of portion 15 in FIG. 7; and,
 FIG. 16 is a perspective view of the Guardrail.

(56) **References Cited**

U.S. PATENT DOCUMENTS

- D526,601 S * 8/2006 Oxseth D12/129
- D578,936 S * 10/2008 Chen D12/129
- D583,719 S * 12/2008 Siewertsen D12/129
- D585,337 S * 1/2009 Siewertsen D12/129
- D593,007 S * 5/2009 Chaudeurge D12/129
- D615,461 S * 5/2010 Storm D12/129
- D615,909 S * 5/2010 Thorne D12/129
- D651,139 S * 12/2011 Angelfoss D12/129

1 Claim, 15 Drawing Sheets



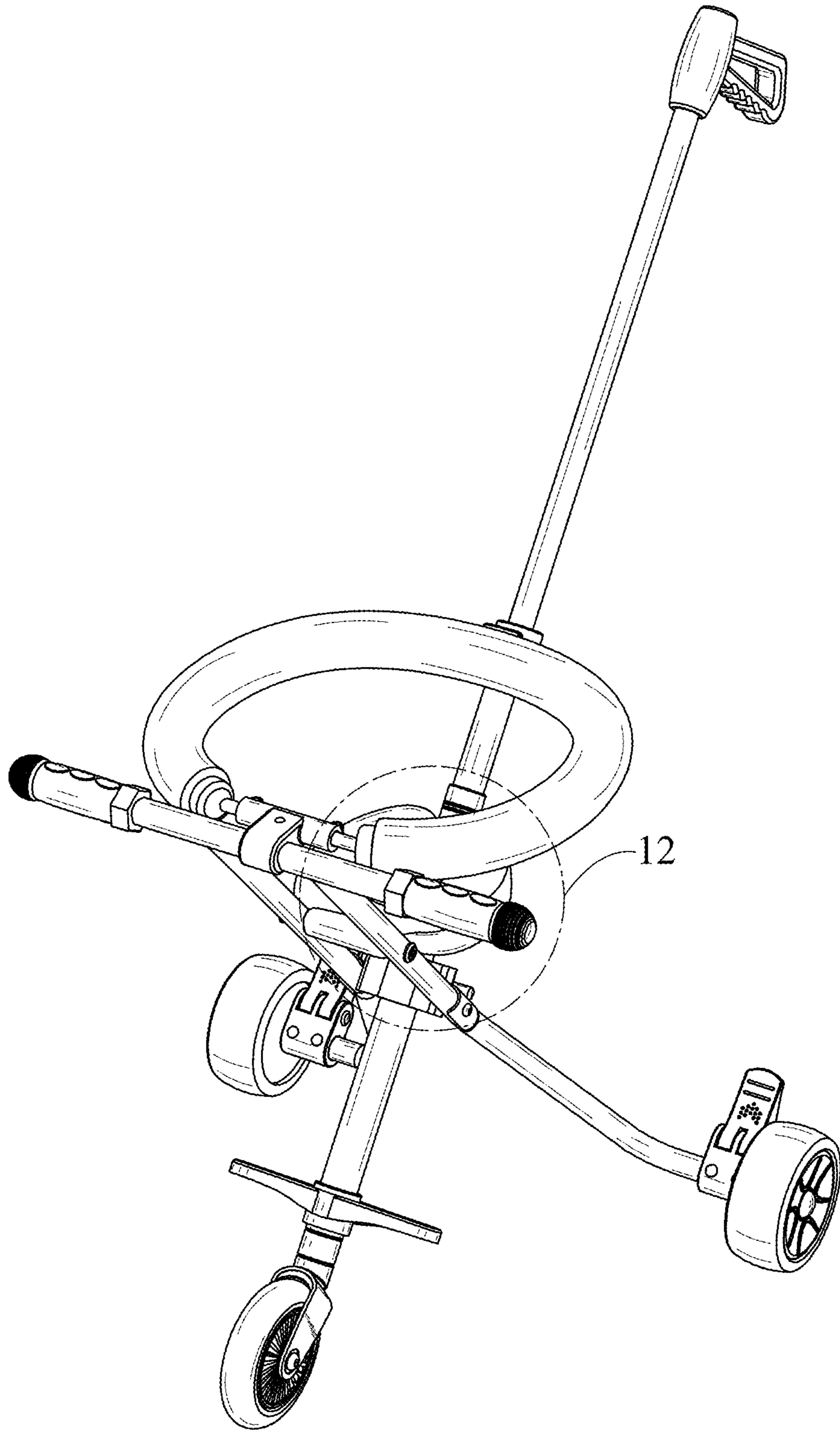


FIG. 1

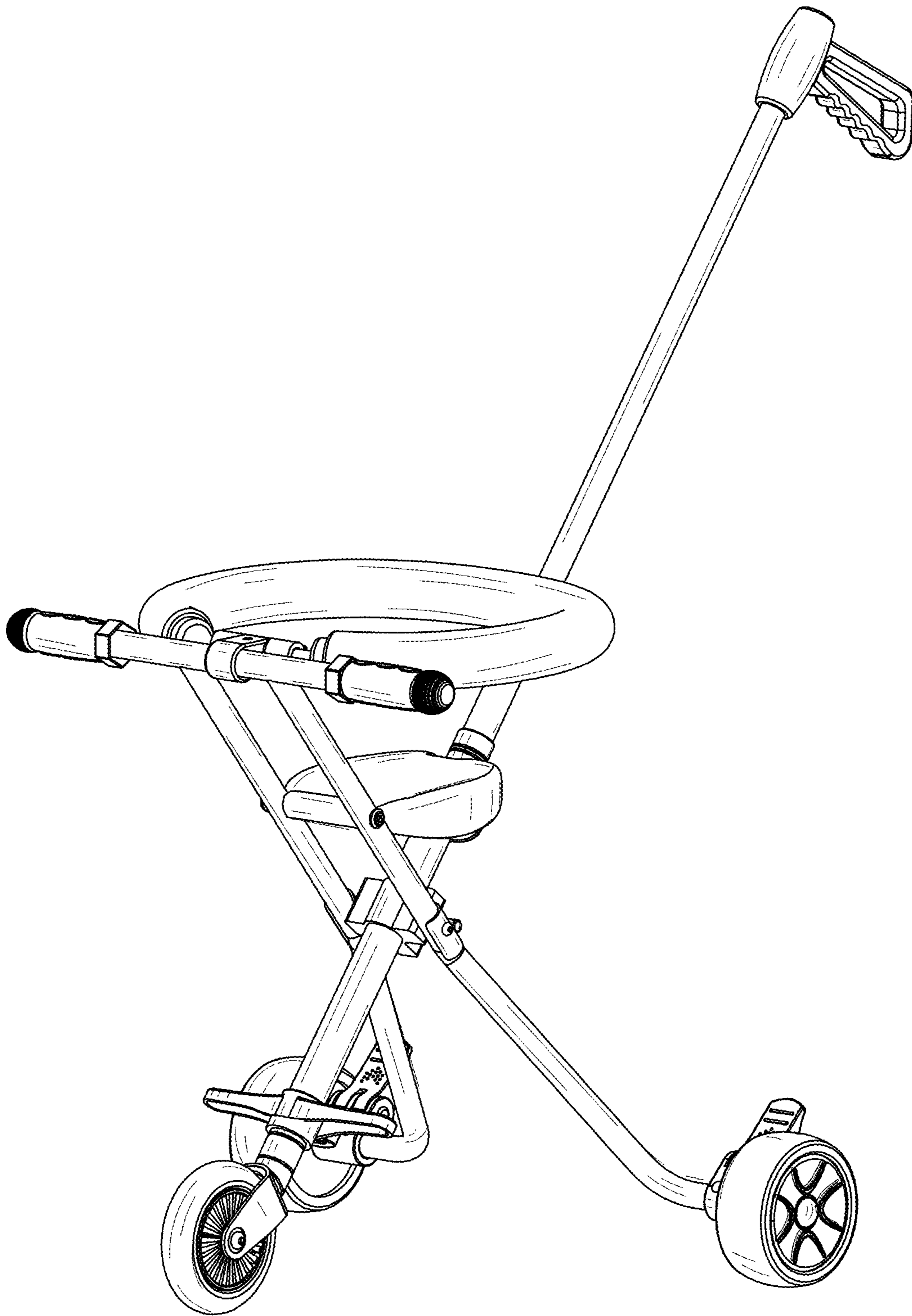


FIG. 2

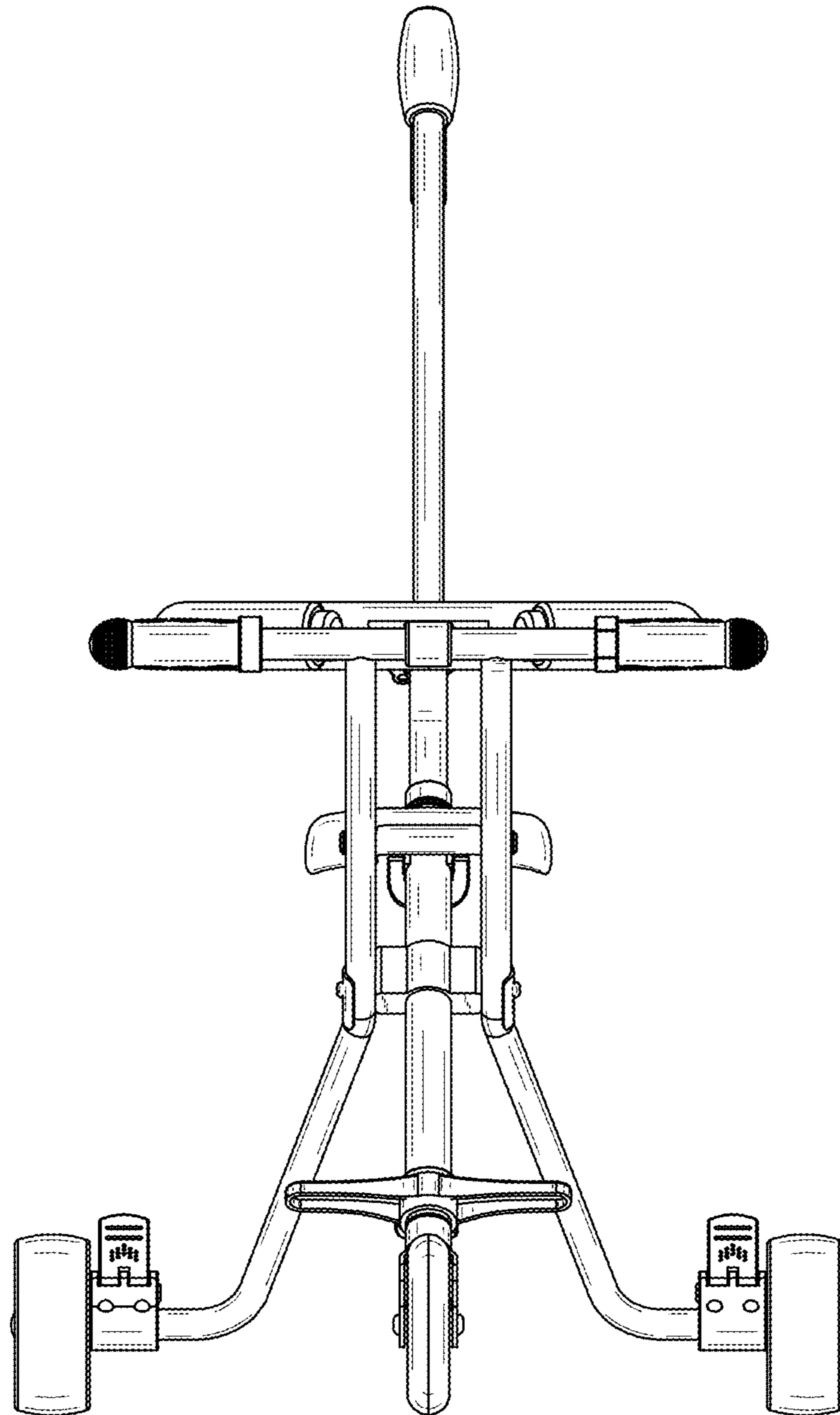


FIG.3

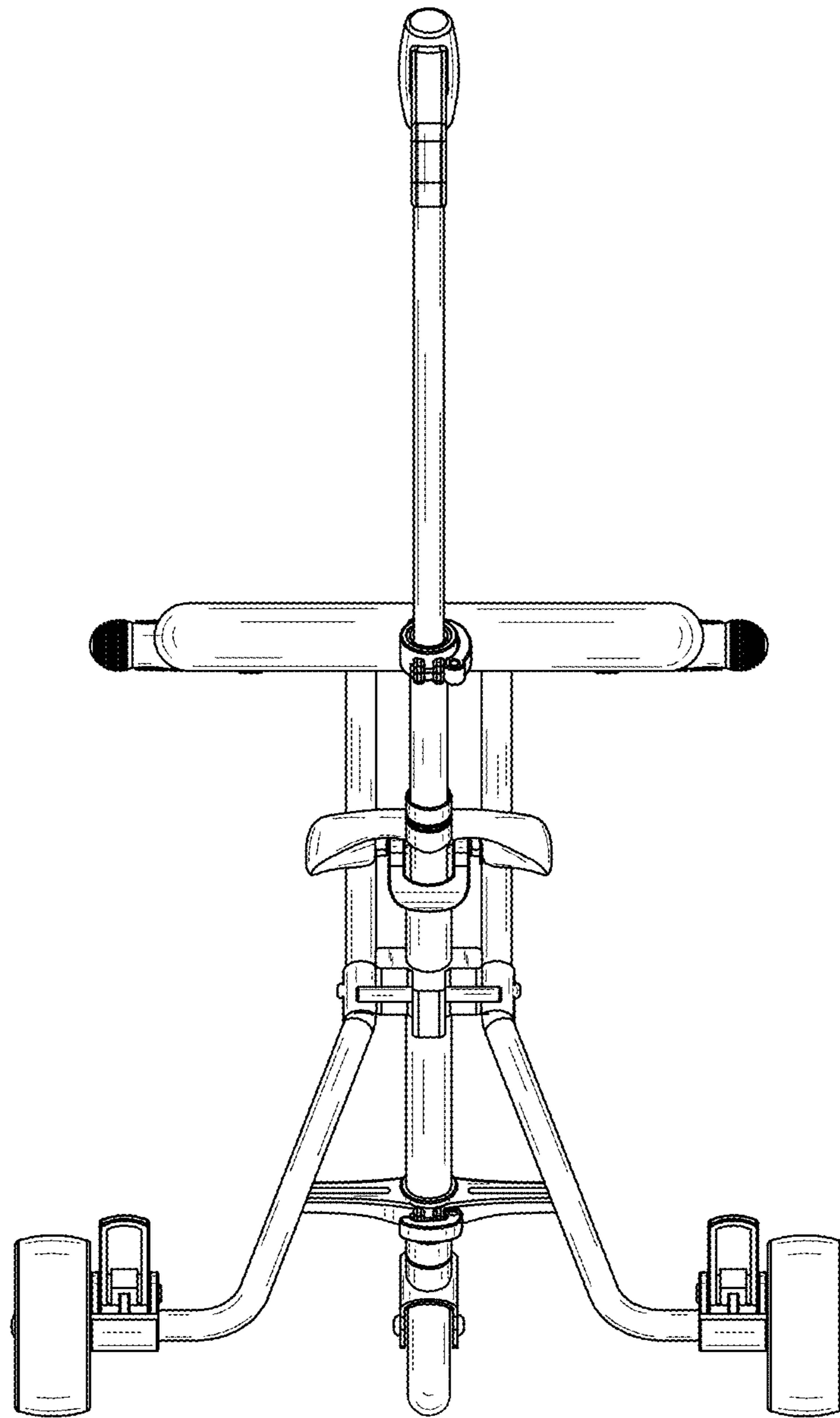


FIG.4

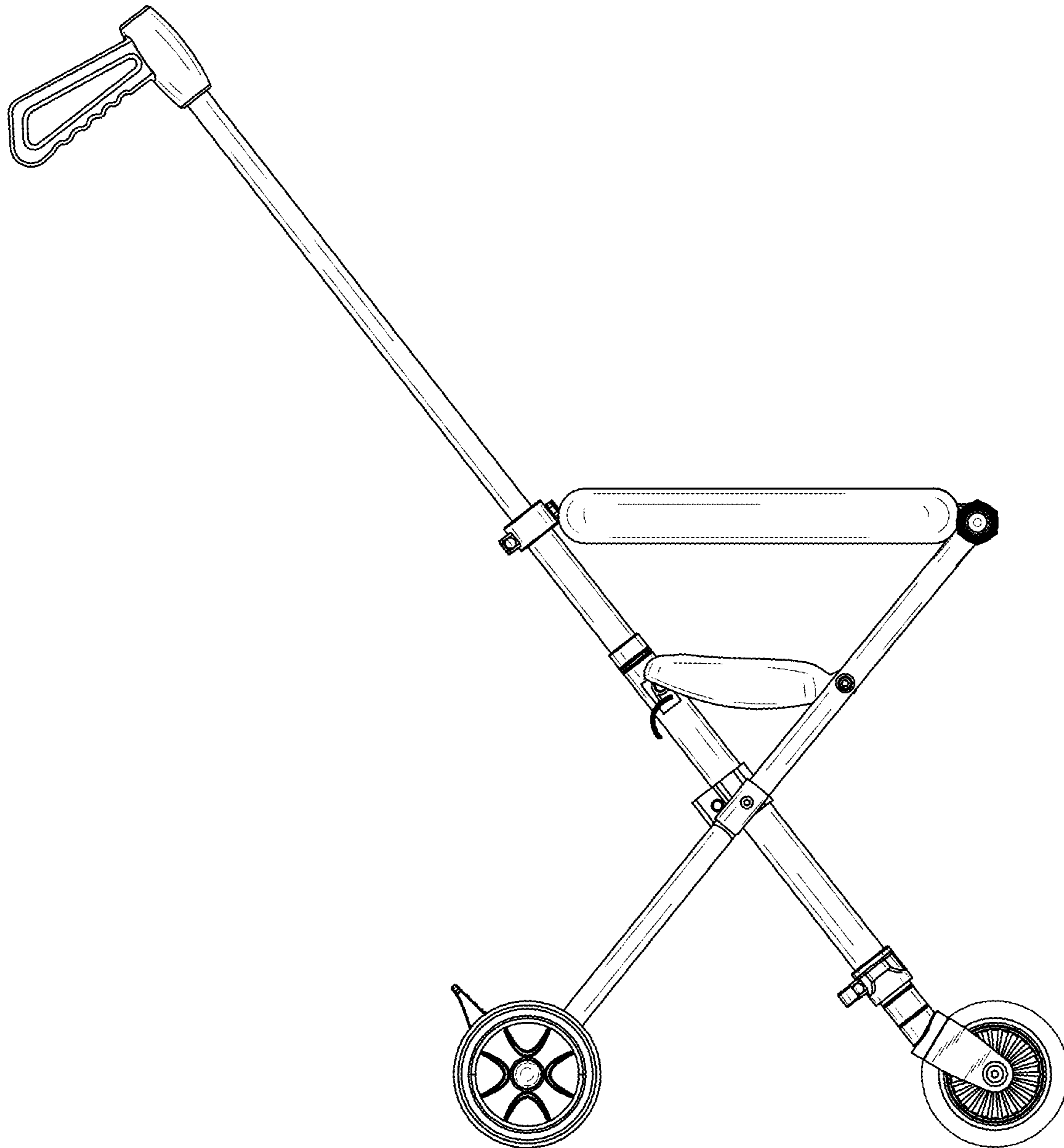


FIG.5

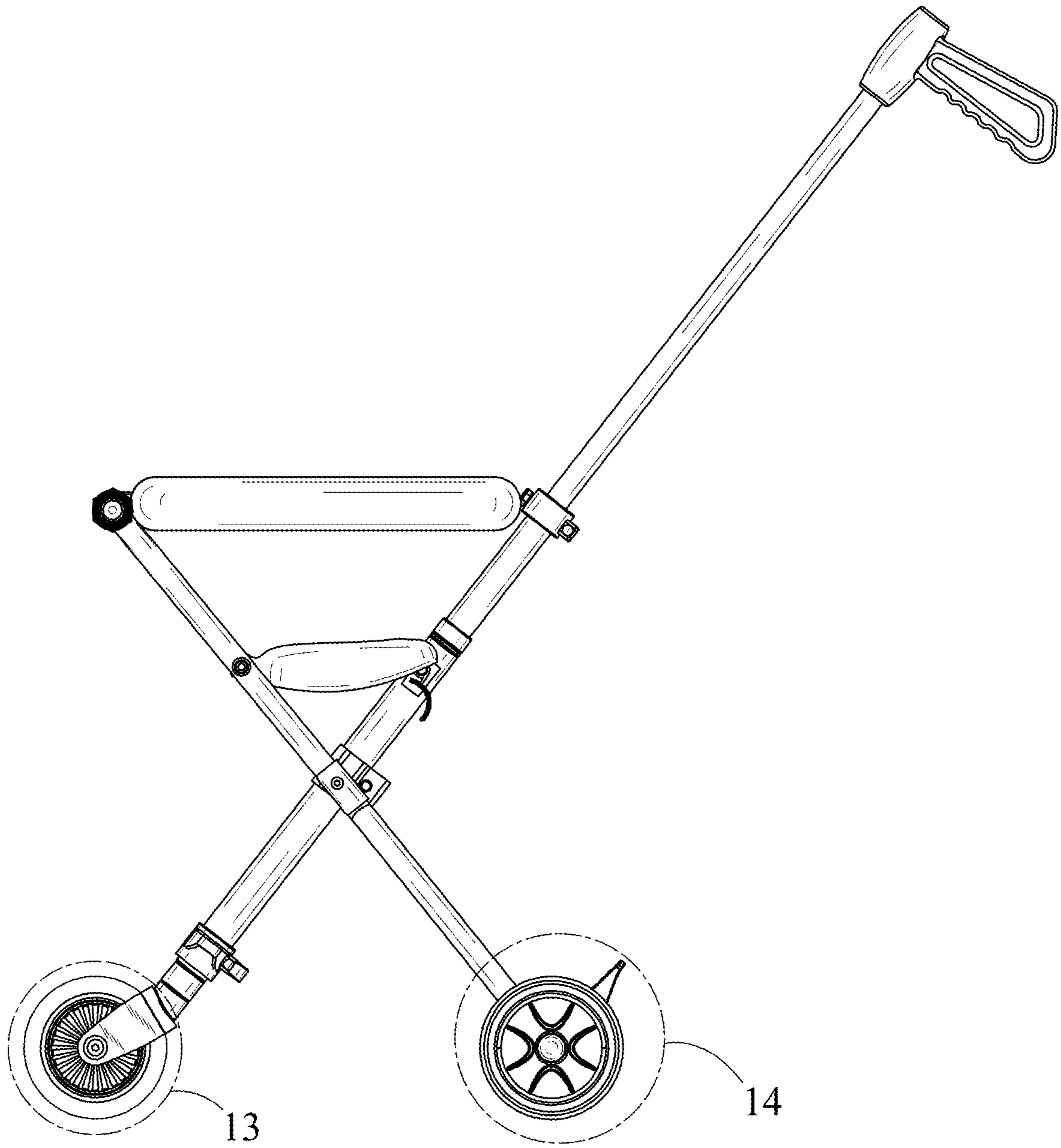


FIG.6

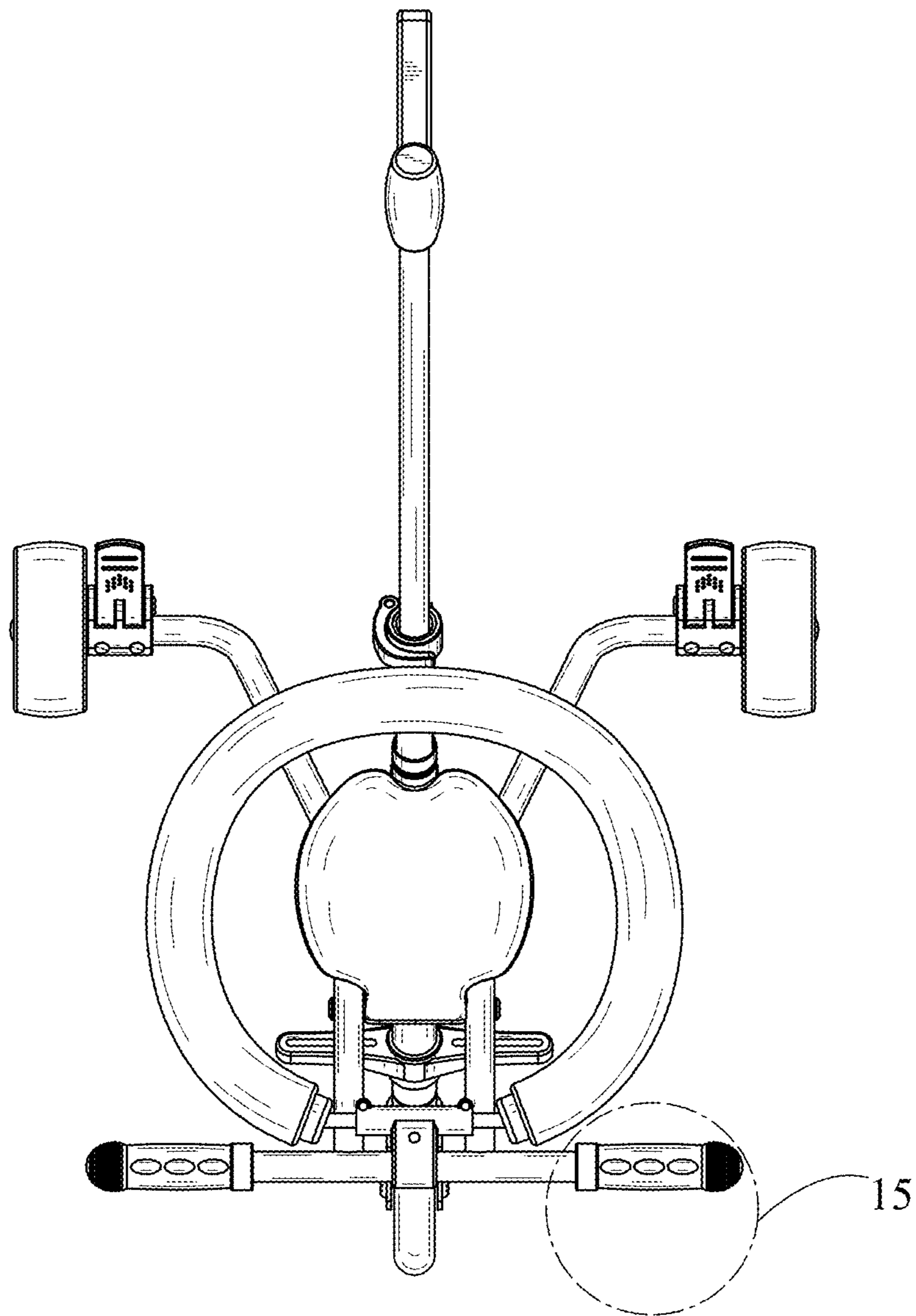


FIG. 7

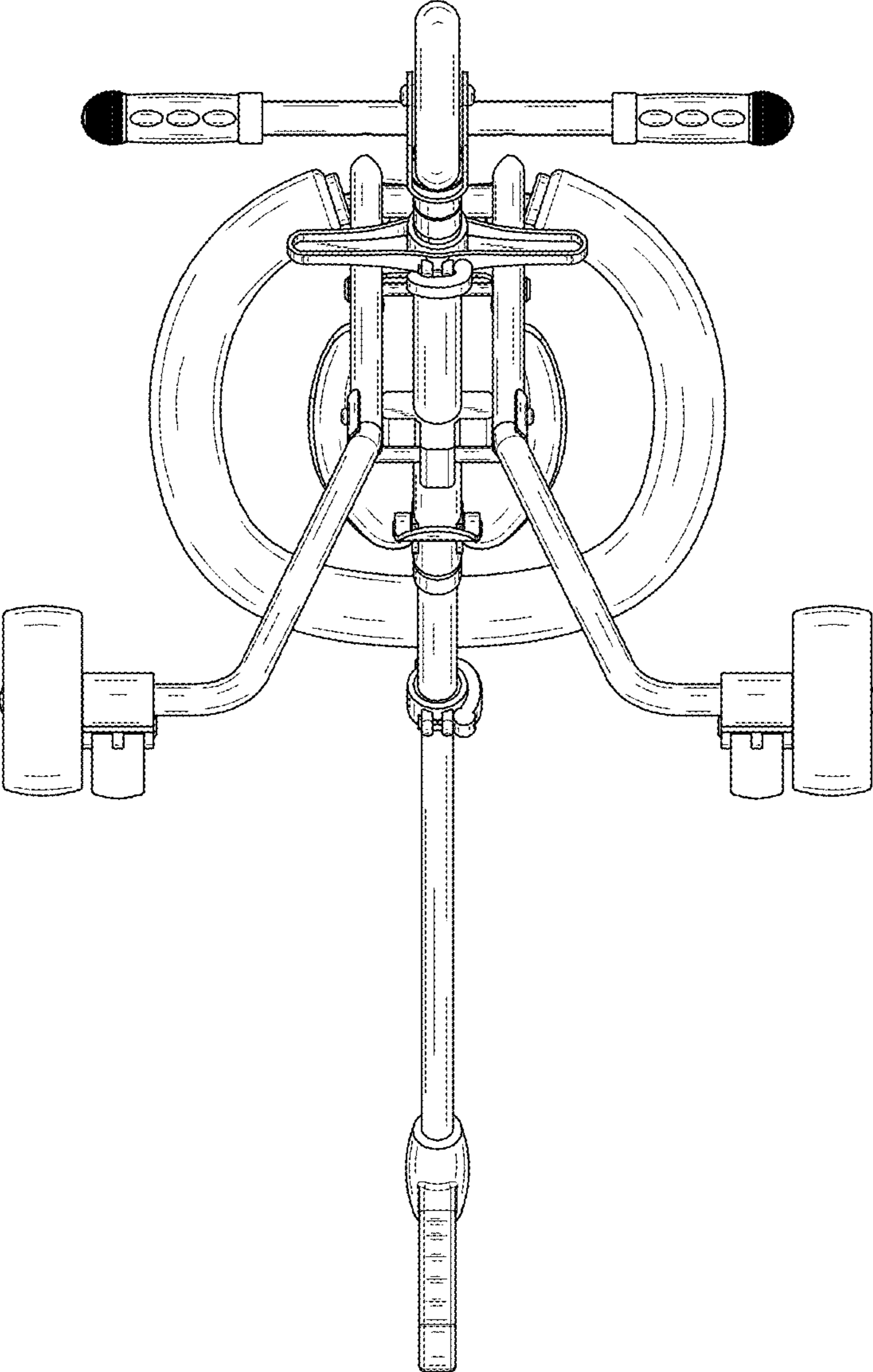


FIG.8

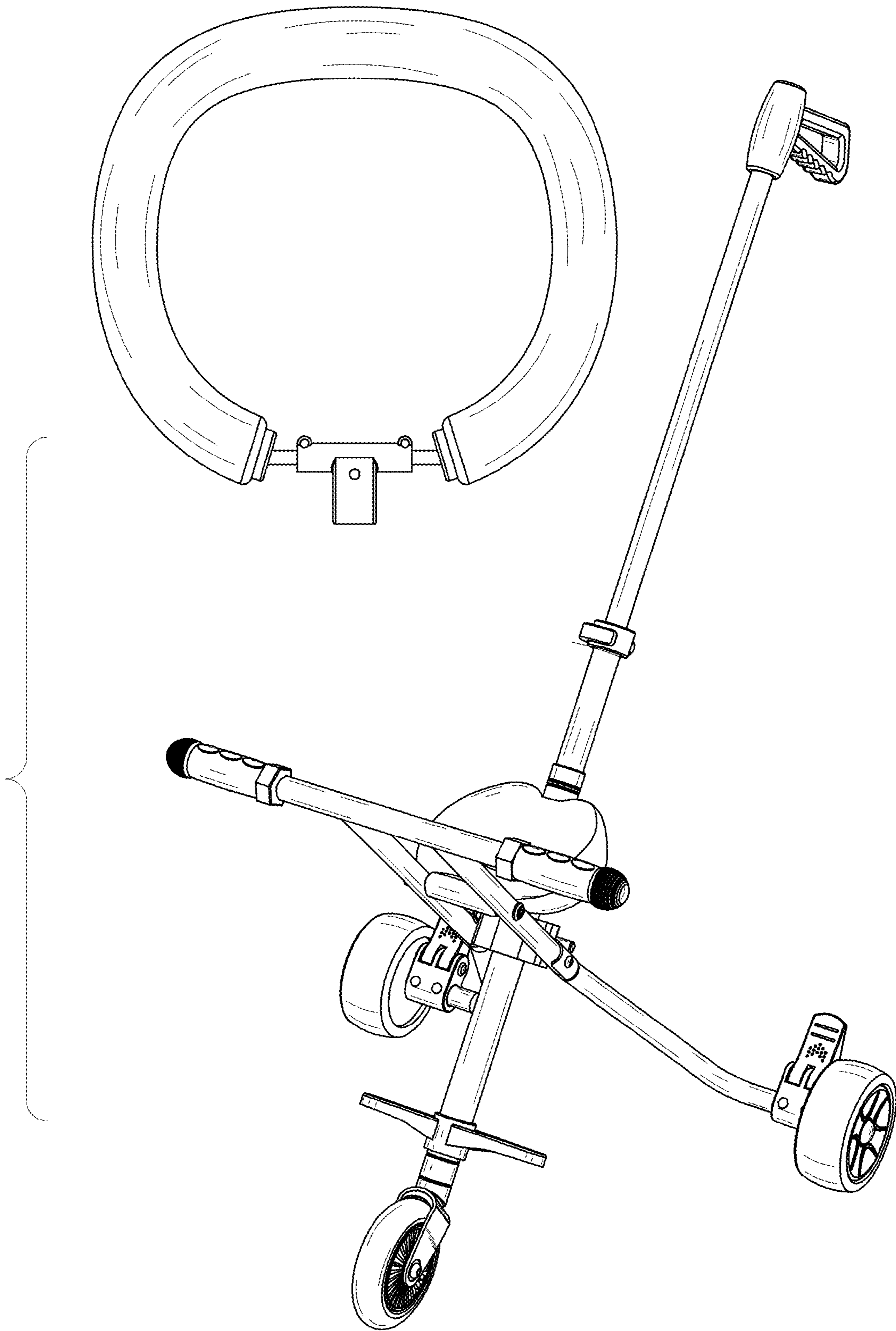


FIG. 9

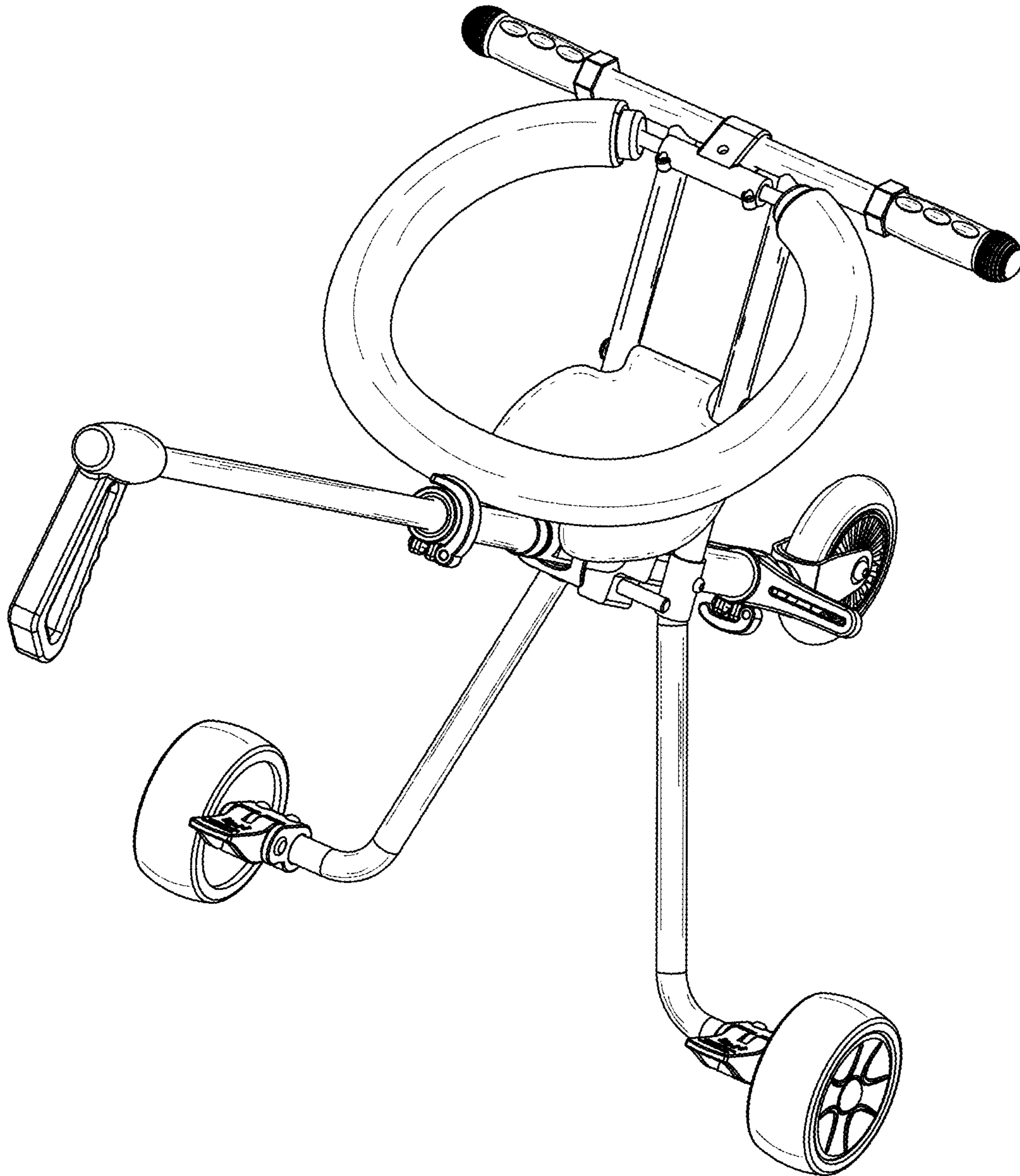


FIG.10

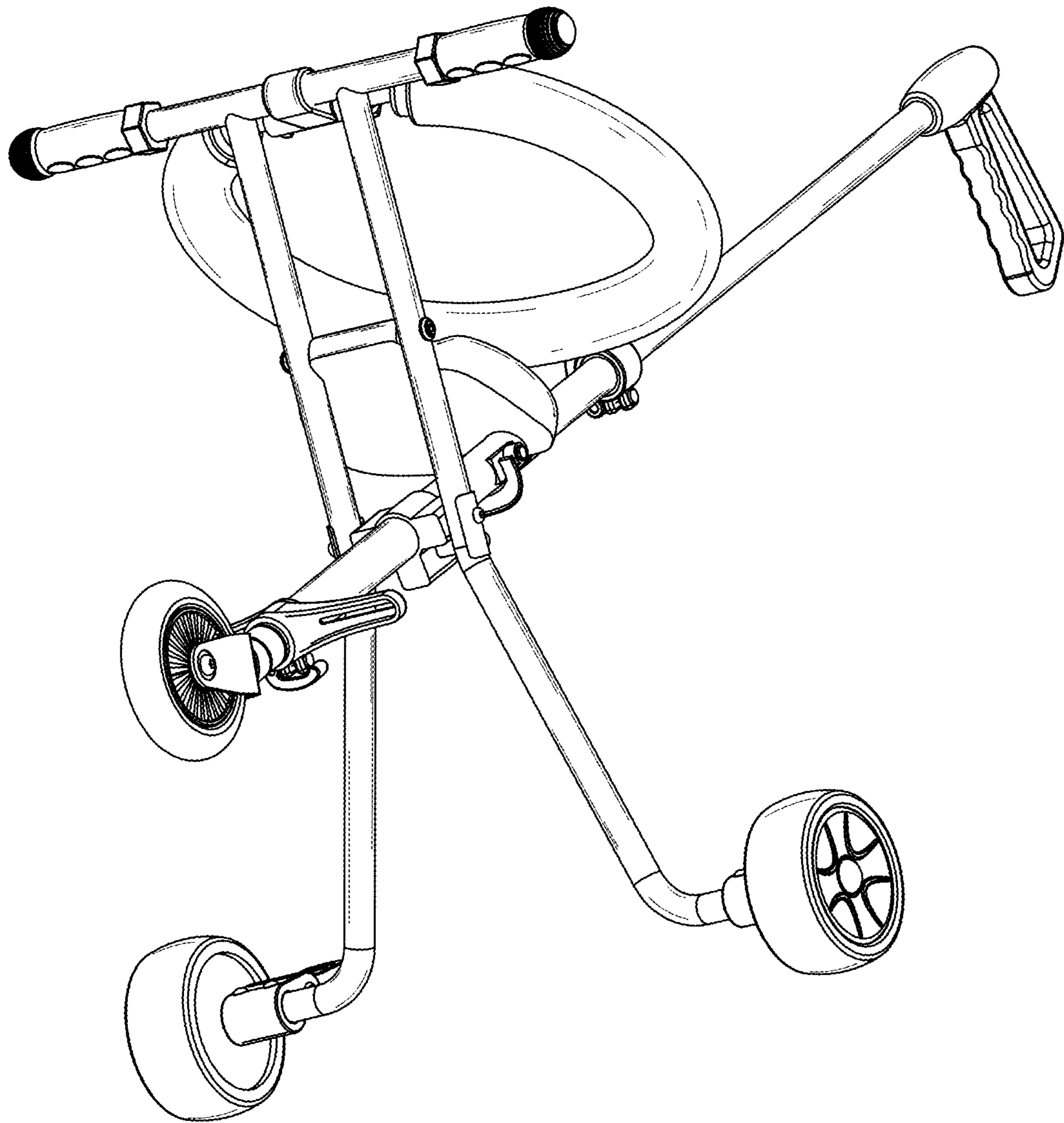


FIG.11

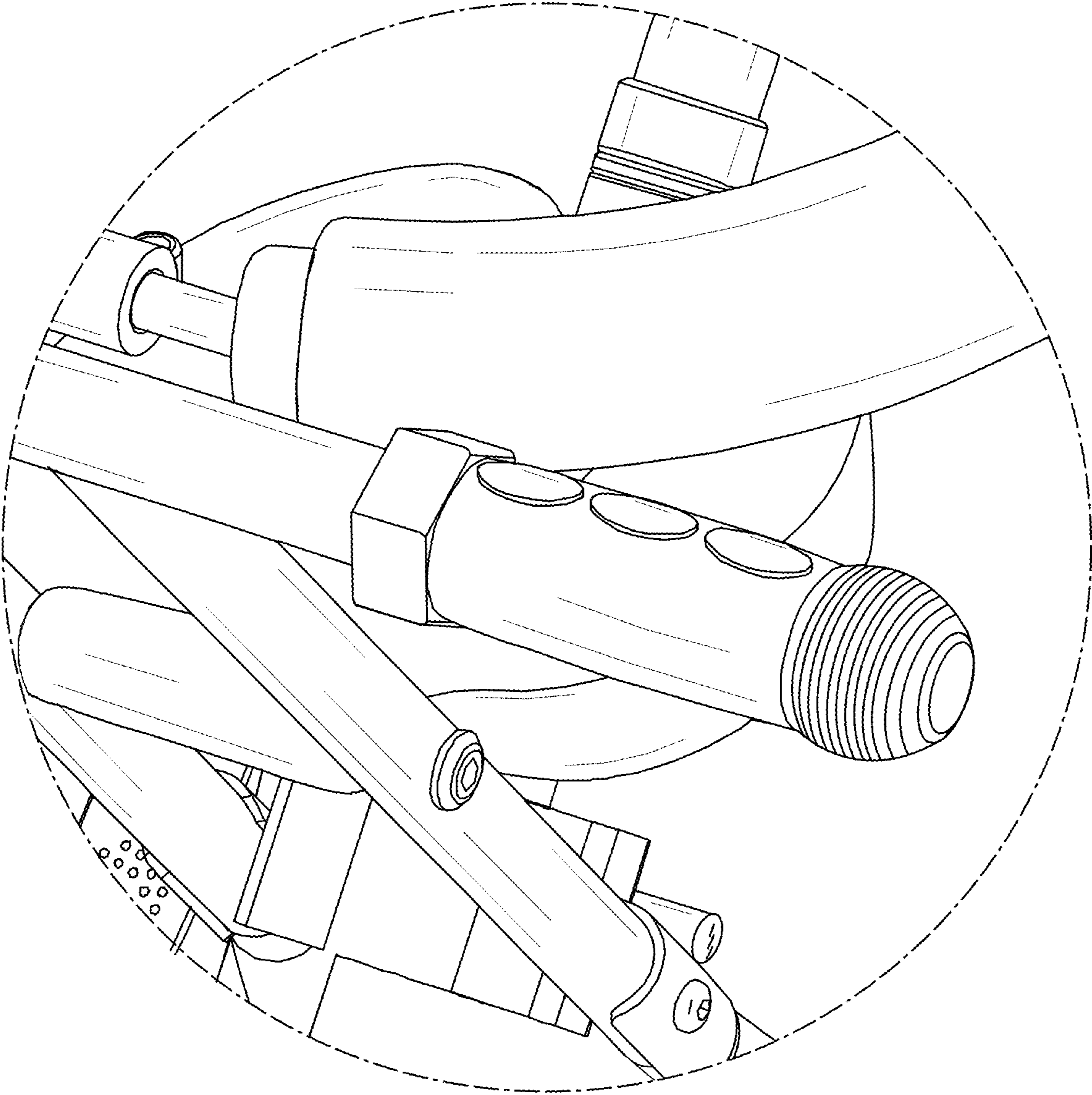


FIG.12

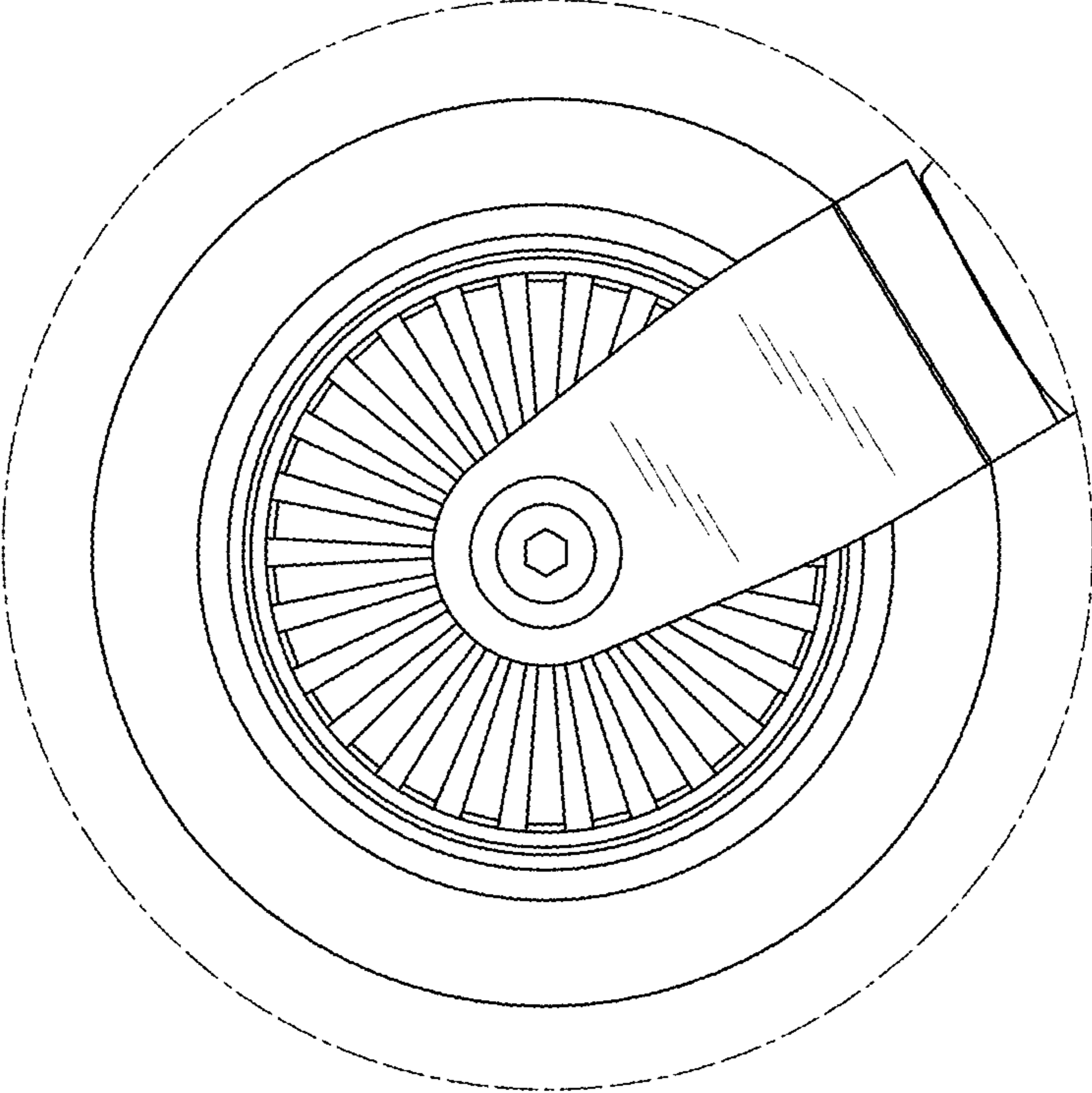


FIG.13

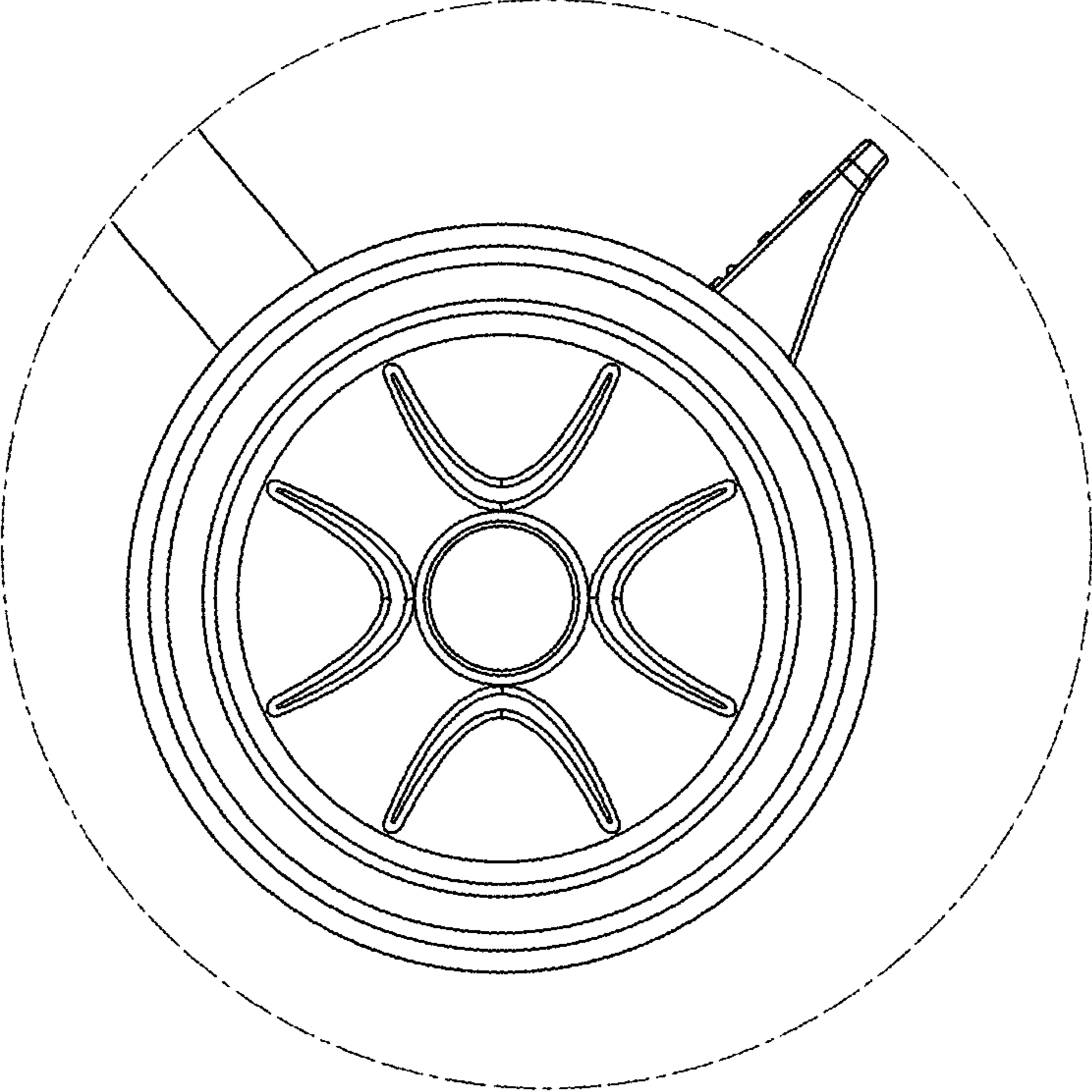


FIG.14

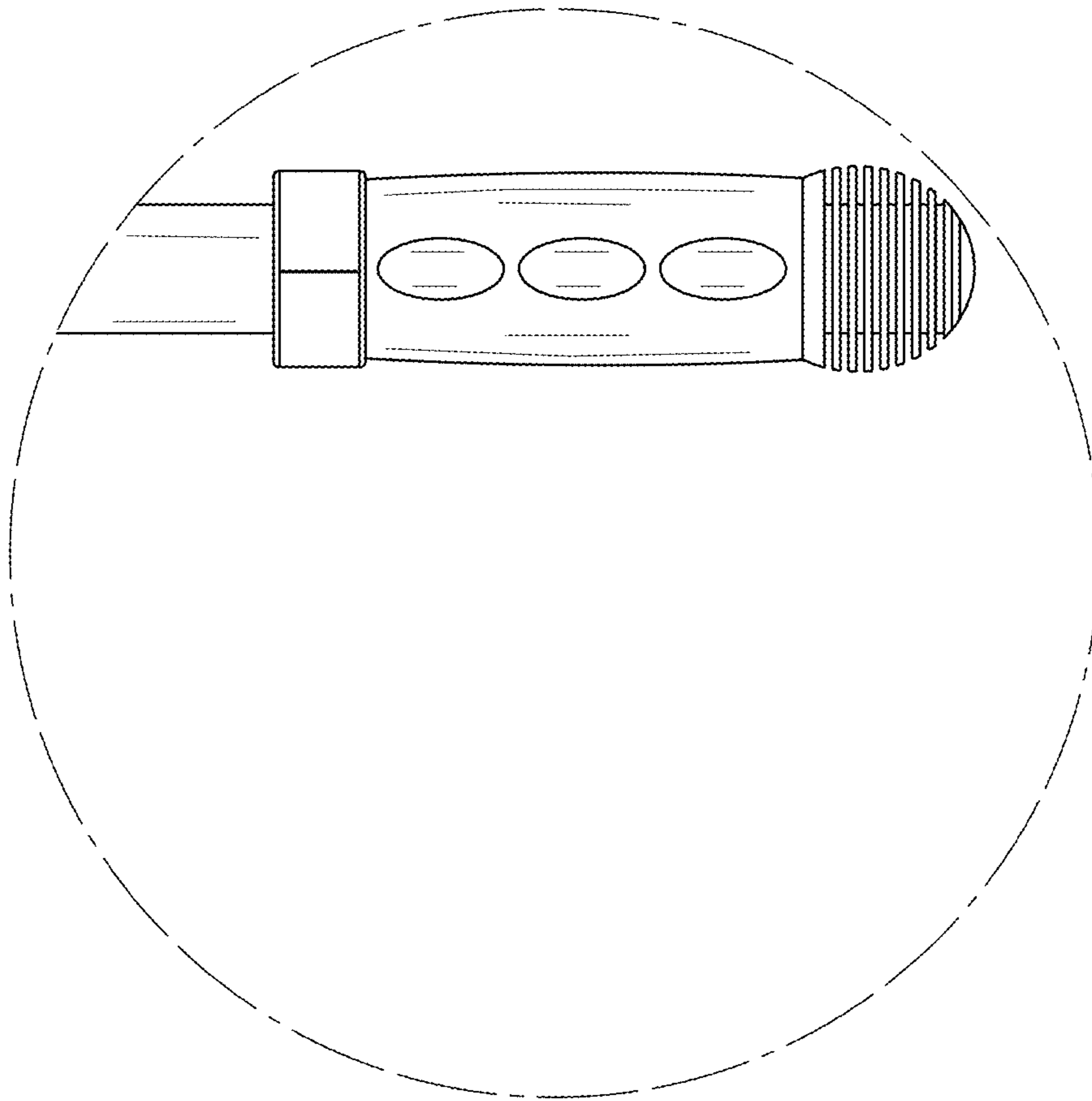


FIG.15

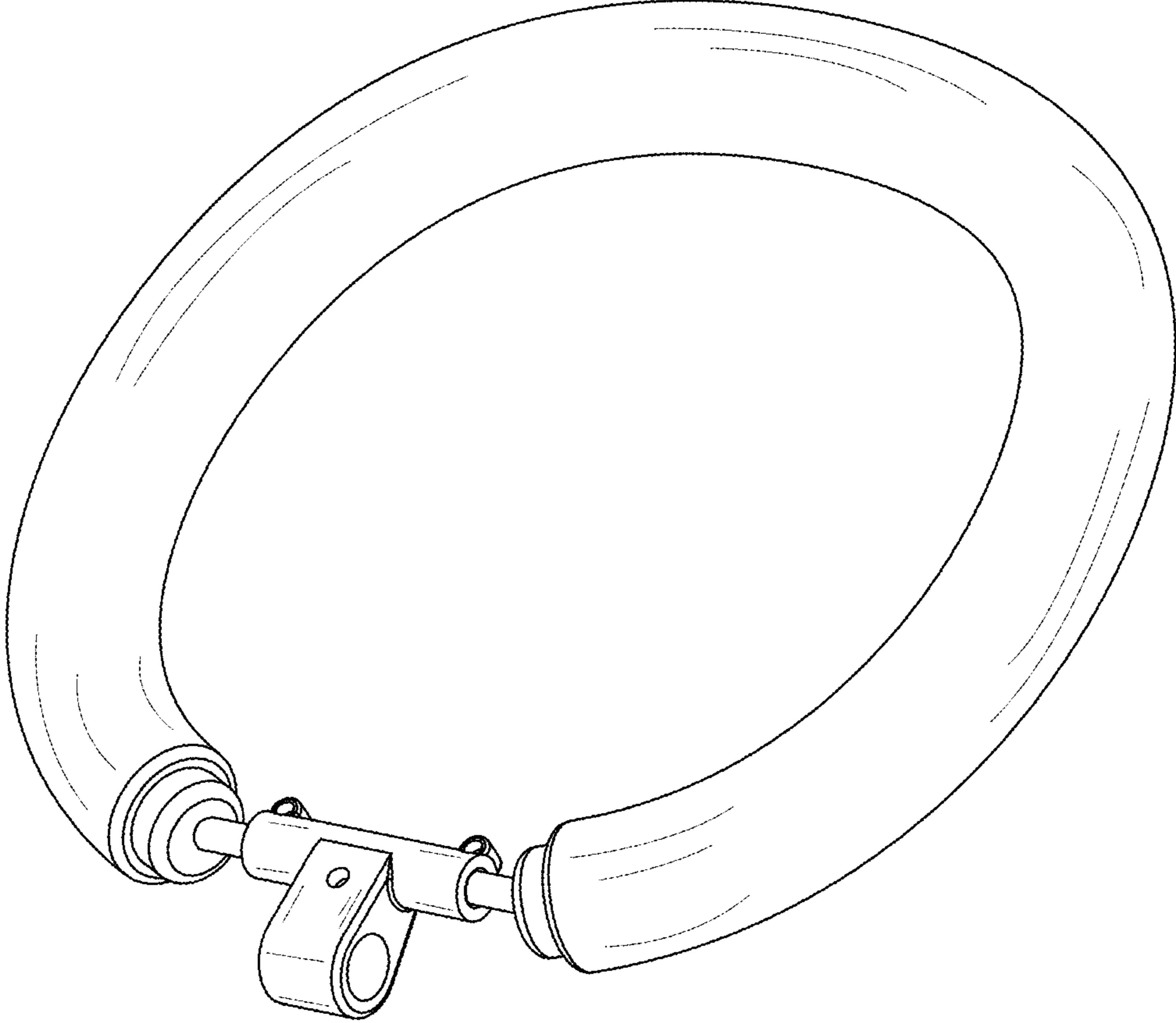


FIG.16