



US00D941191S

(12) **United States Design Patent**  
**Hageman**

(10) **Patent No.:** **US D941,191 S**  
(45) **Date of Patent:** **\*\* Jan. 18, 2022**

(54) **BICYCLE DOCK**

- (71) Applicant: **BCycle, LLC**, Waterloo, WI (US)
- (72) Inventor: **Nicole Hageman**, Madison, WI (US)
- (73) Assignee: **BCycle, LLC**, Waterloo, WI (US)
- (\*\*) Term: **15 Years**
- (21) Appl. No.: **29/709,358**
- (22) Filed: **Oct. 14, 2019**
- (51) **LOC (13) Cl.** ..... **08-10**
- (52) **U.S. Cl.**  
USPC ..... **D12/115**
- (58) **Field of Classification Search**  
USPC ..... D12/115, 120, 317, 406, 407, 408  
CPC ..... B62H 3/12; B62H 3/04; B62H 3/02  
See application file for complete search history.

(56) **References Cited**

U.S. PATENT DOCUMENTS

D595,618 S *	7/2009	Dallaire	.....	D12/115
D634,674 S *	3/2011	Finbow	.....	D12/115
D793,287 S *	8/2017	Bauer	.....	D12/115
2006/0061061 A1 *	3/2006	Chuang	.....	B62H 1/06
				280/293
2006/0169423 A1 *	8/2006	Chuang	.....	B62H 3/00
				160/180
2008/0087776 A1 *	4/2008	Chuang	.....	B62H 1/02
				248/168
2011/0006094 A1 *	1/2011	Tsai	.....	B62H 5/003
				224/412
2011/0220594 A1 *	9/2011	Chuang	.....	B62H 3/00
				211/22
2017/0008583 A1 *	1/2017	Steinman	.....	B62H 5/005
2017/0174280 A1 *	6/2017	Van Straaten	.....	B62H 3/04
2019/0127002 A1 *	5/2019	Bettez	.....	B62H 3/02
2019/0152549 A1 *	5/2019	Wu	.....	B62H 5/003

OTHER PUBLICATIONS

“BCycle 3.0 Dock” Youtube., posted date Feb. 11, 2021 [online], [retrieved on Feb. 25, 2021]. Retrieved from Youtube <URL: <https://www.youtube.com/watch?v=HcVf1JLg53Y&feature=youtu.be>> (Year: 2021).\*

(Continued)

*Primary Examiner* — Darlington Ly  
*Assistant Examiner* — Nasim Abdulaziz Ali  
(74) *Attorney, Agent, or Firm* — Bell & Manning, LLC; Christopher Kalafut

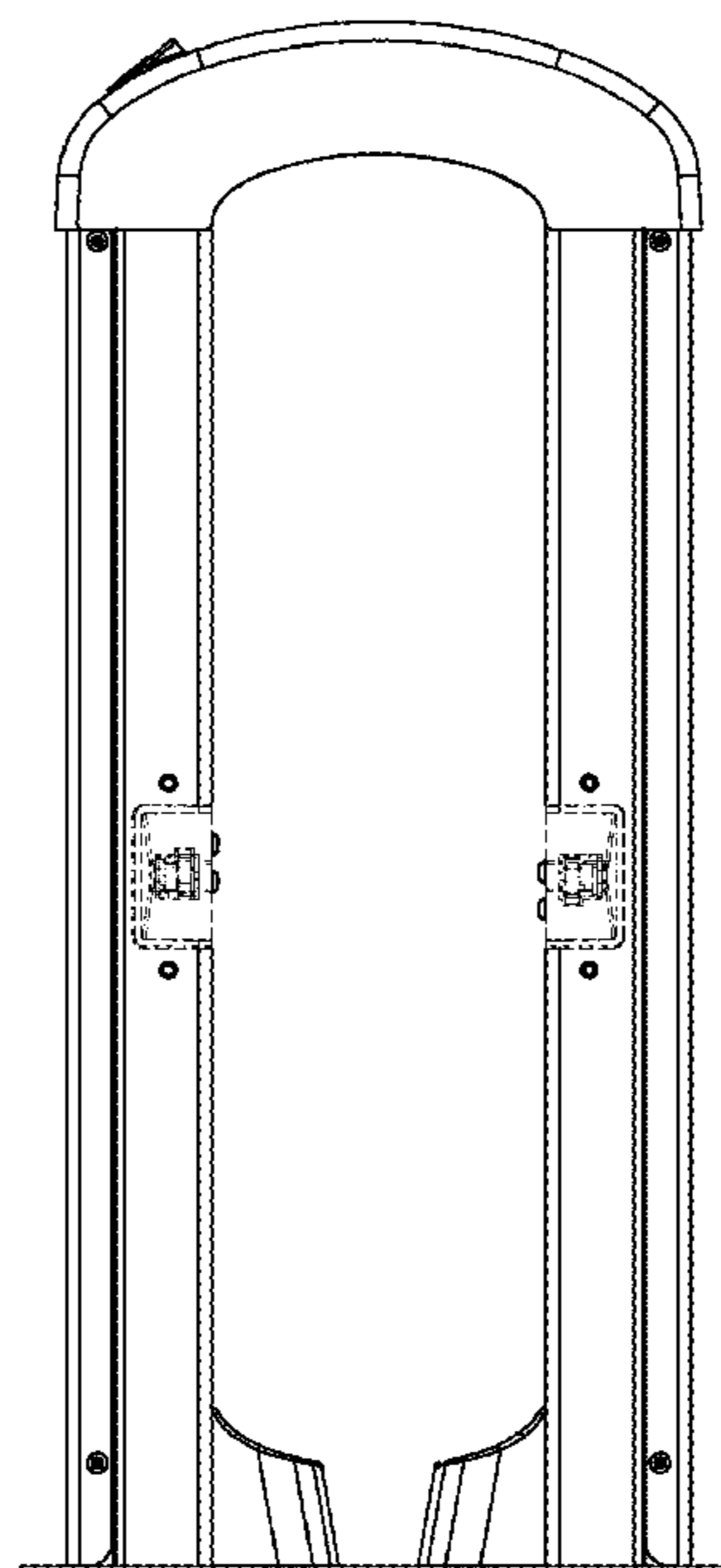
(57) **CLAIM**

The ornamental design for a bicycle dock, as shown and described.

**DESCRIPTION**

FIG. 1 is a front elevation view of a bicycle dock embodying my new design.  
FIG. 2 is a rear elevation view thereof;  
FIG. 3 is a right side elevation view thereof;  
FIG. 4 is a left side elevation view thereof;  
FIG. 5 is a top plan view thereof;  
FIG. 6 is a bottom plan view thereof;  
FIG. 7 is a top, front, and right side perspective view thereof;  
FIG. 8 is a top, front, and left side perspective view thereof;  
FIG. 9 is a bottom, front, and left side perspective view thereof;  
FIG. 10 is a bottom, front, and right side perspective view thereof; and,  
FIG. 11 is a top, rear, and left side perspective view thereof.  
The broken lines in the drawings illustrate portions of the bicycle dock that form no part of the claimed design.

**1 Claim, 11 Drawing Sheets**



(56)

**References Cited**

OTHER PUBLICATIONS

“New Flexible Bike Docking Tech From BCycle” BCycle., posted date Feb. 18, 2021 [online], [retrieved on Feb. 25, 2021]. Retrieved from the Internet <URL: <https://cleantechnica.com/2021/02/18/new-flexible-bike-docking-tech-from-bcycle/>> (Year: 2021).\*

“The Next Generation of Bike Share” BCycle., posted date Feb. 9, 2021 [online], [retrieved on Feb. 25, 2021]. Retrieved from the Internet <URL: <https://www.bcycle.com/stations>> (Year: 2021).\*

\* cited by examiner

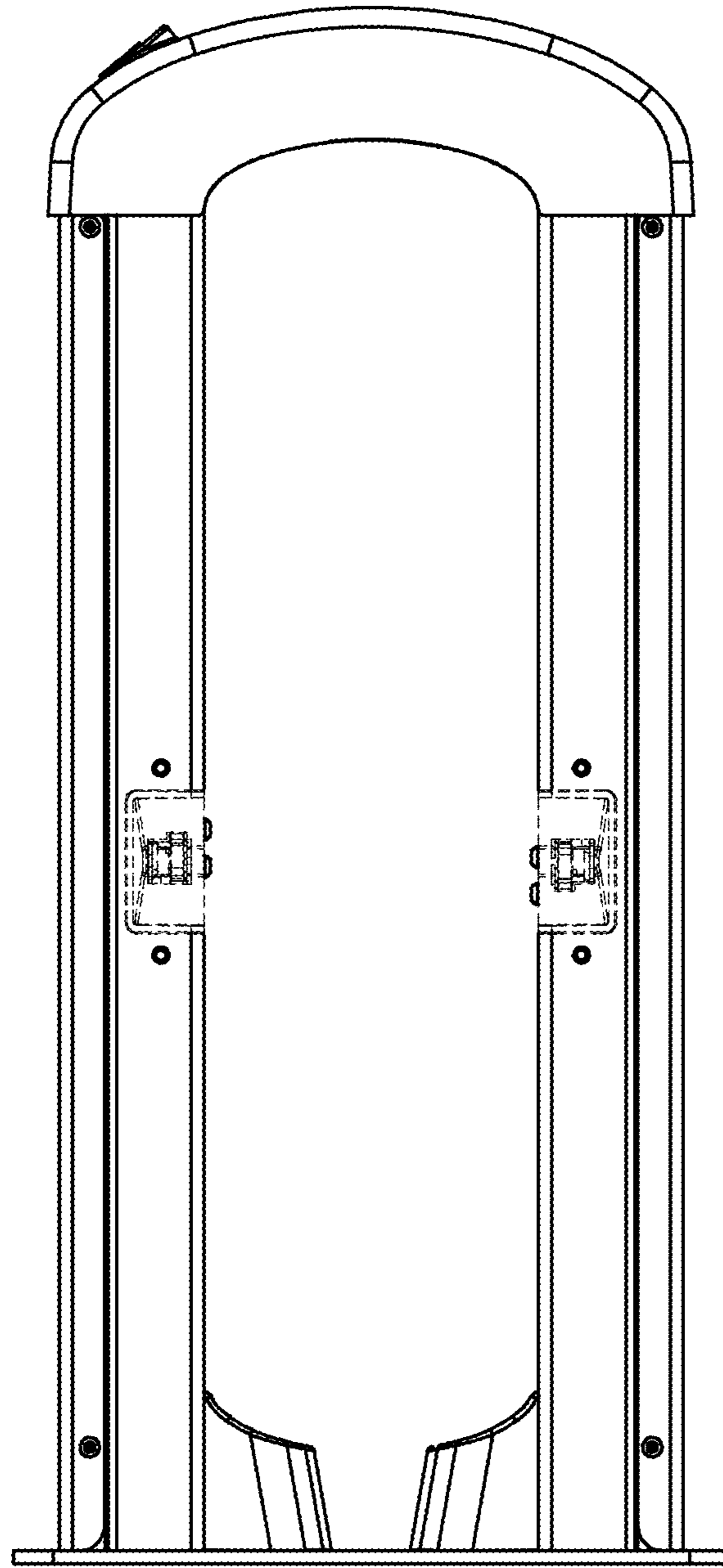


FIG. 1

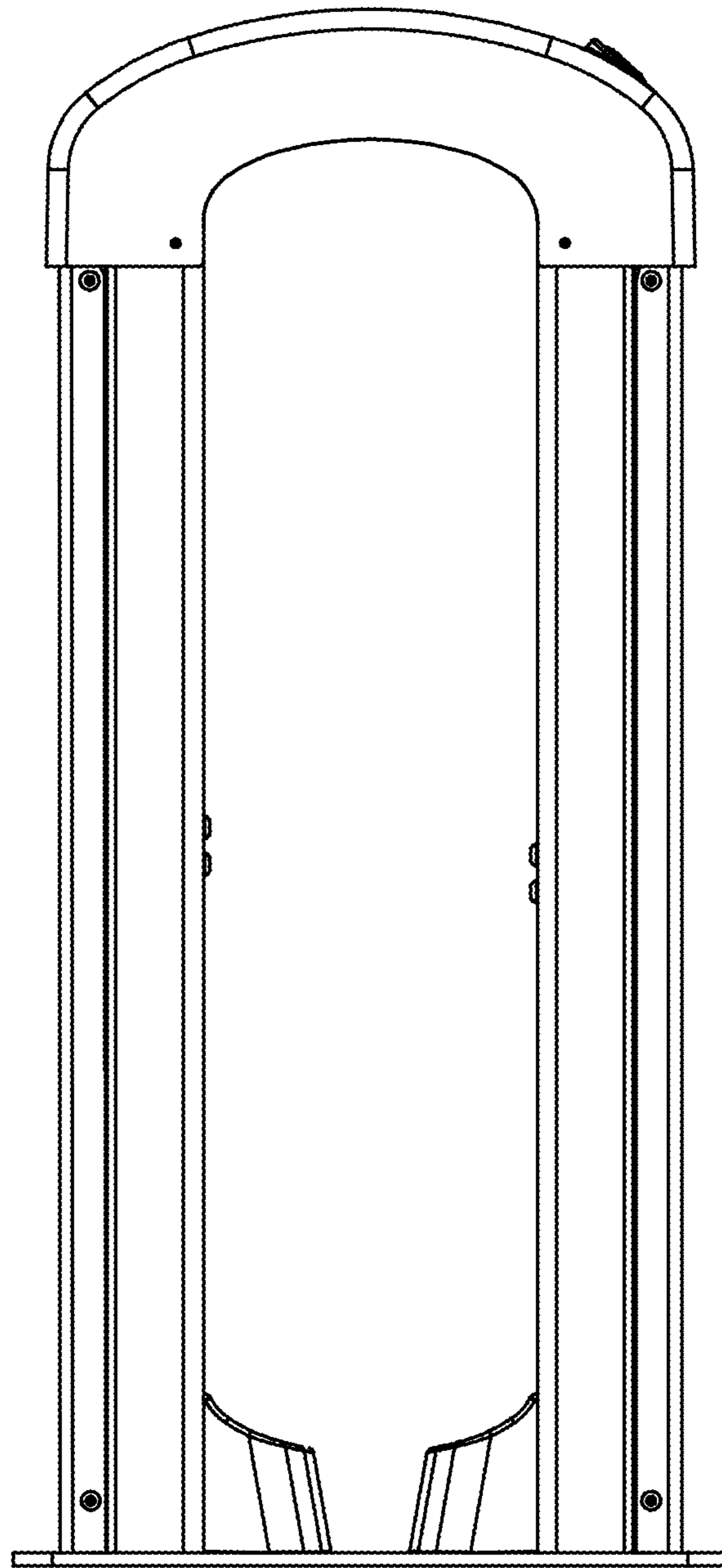


FIG. 2

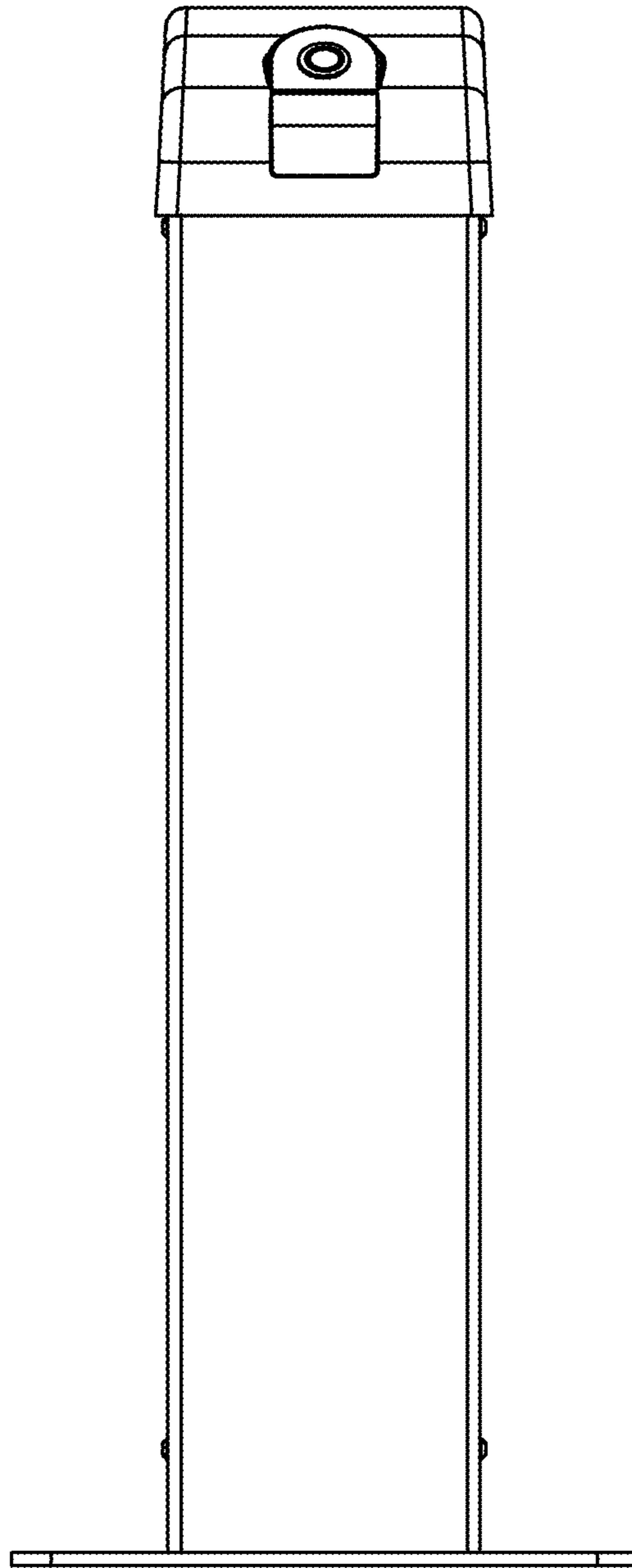


FIG. 3

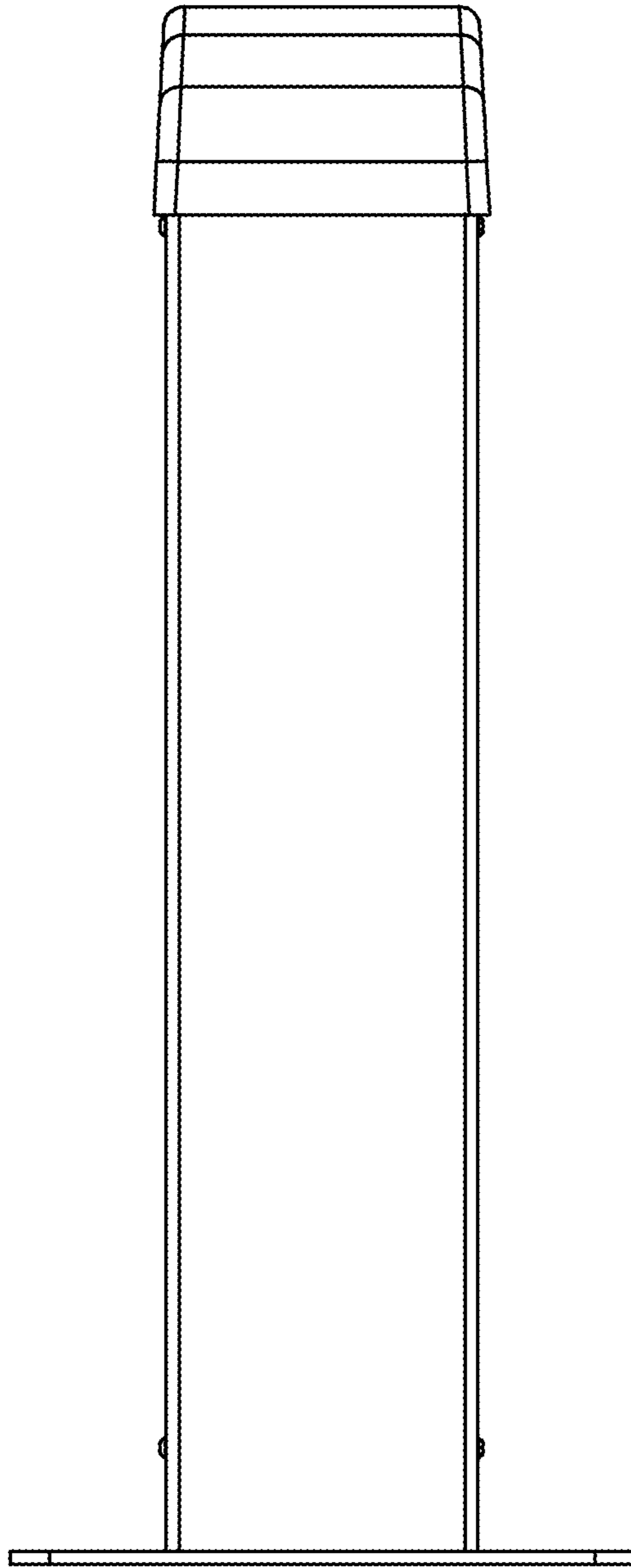


FIG. 4

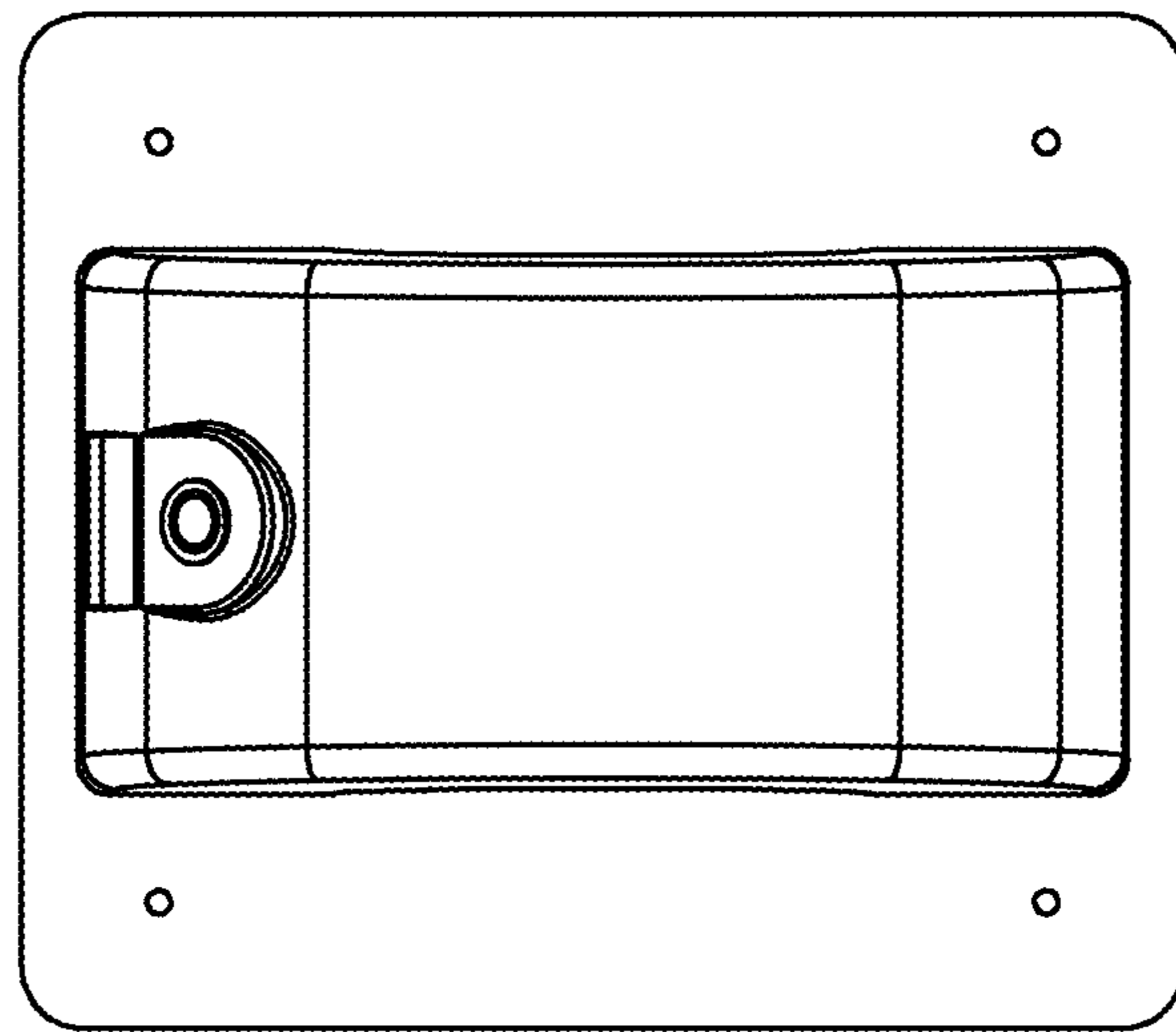


FIG. 5

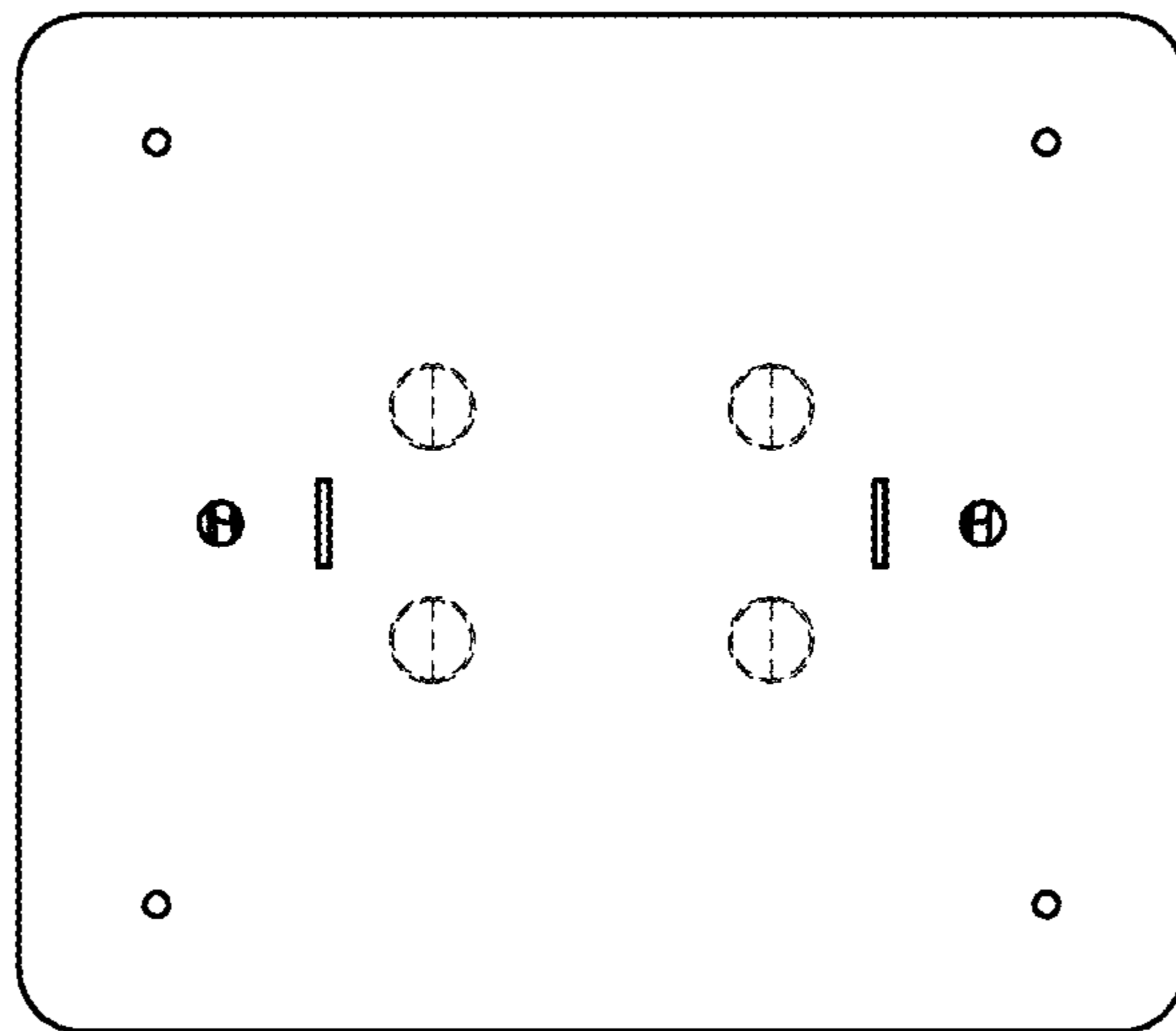


FIG. 6



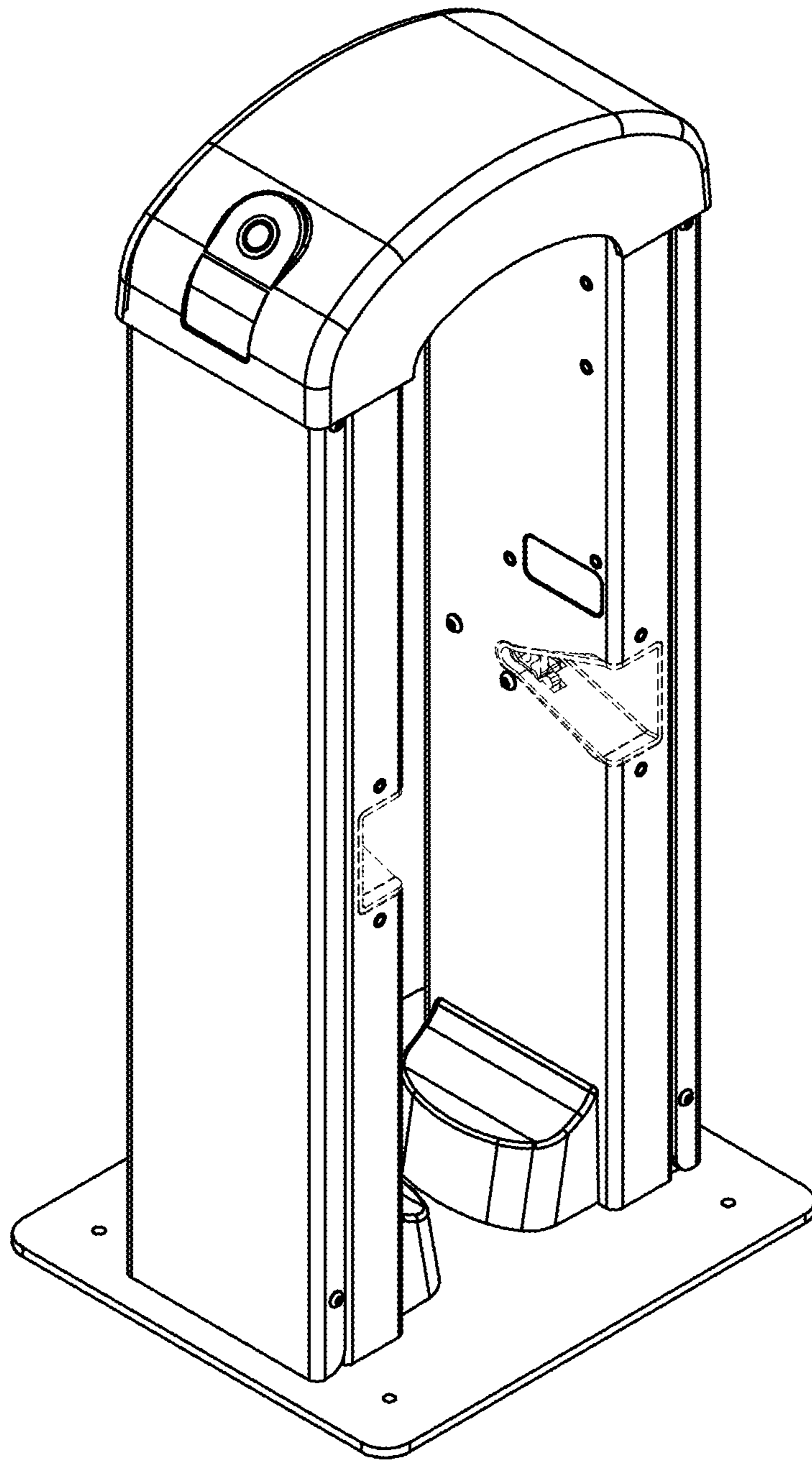


FIG. 7

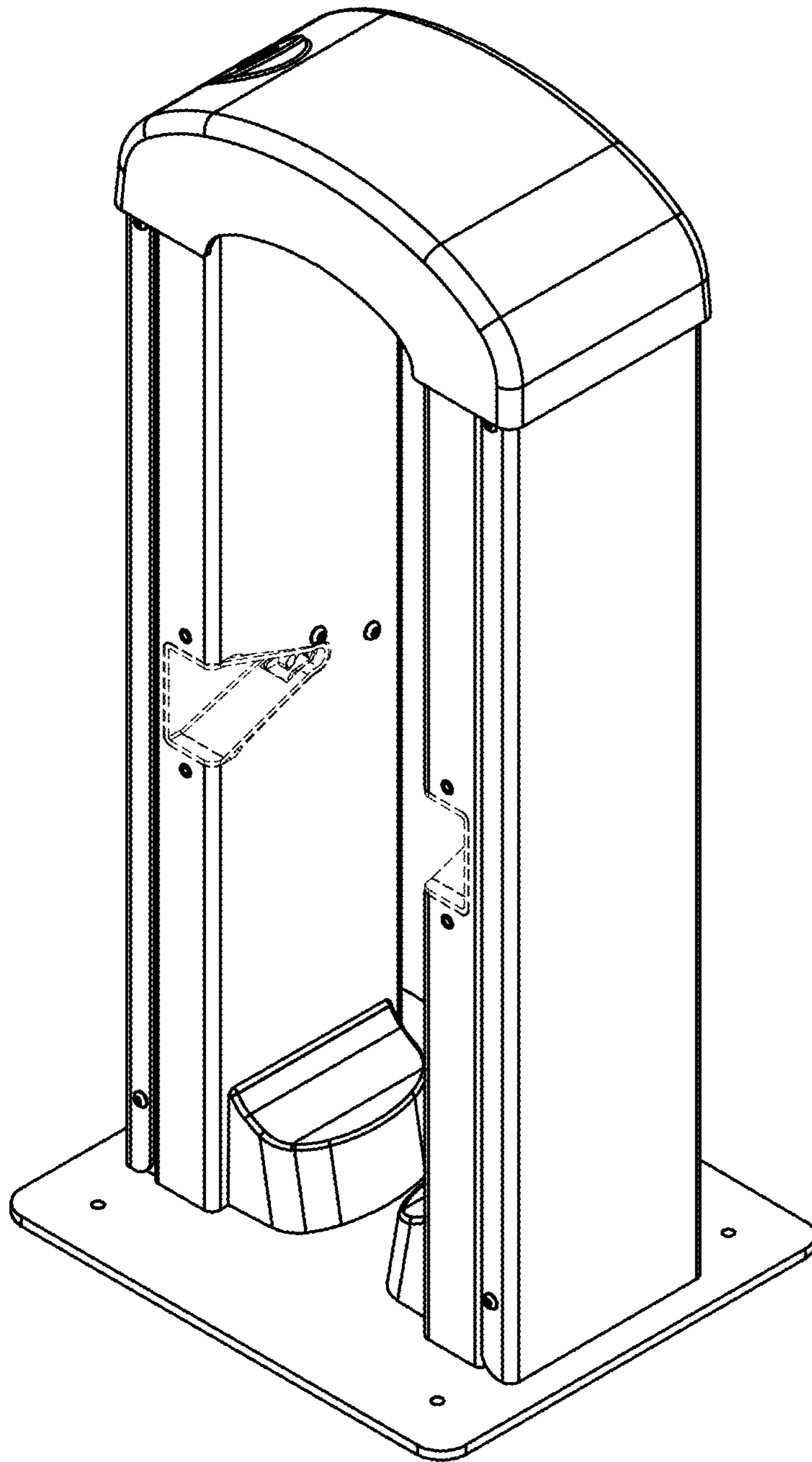


FIG. 8

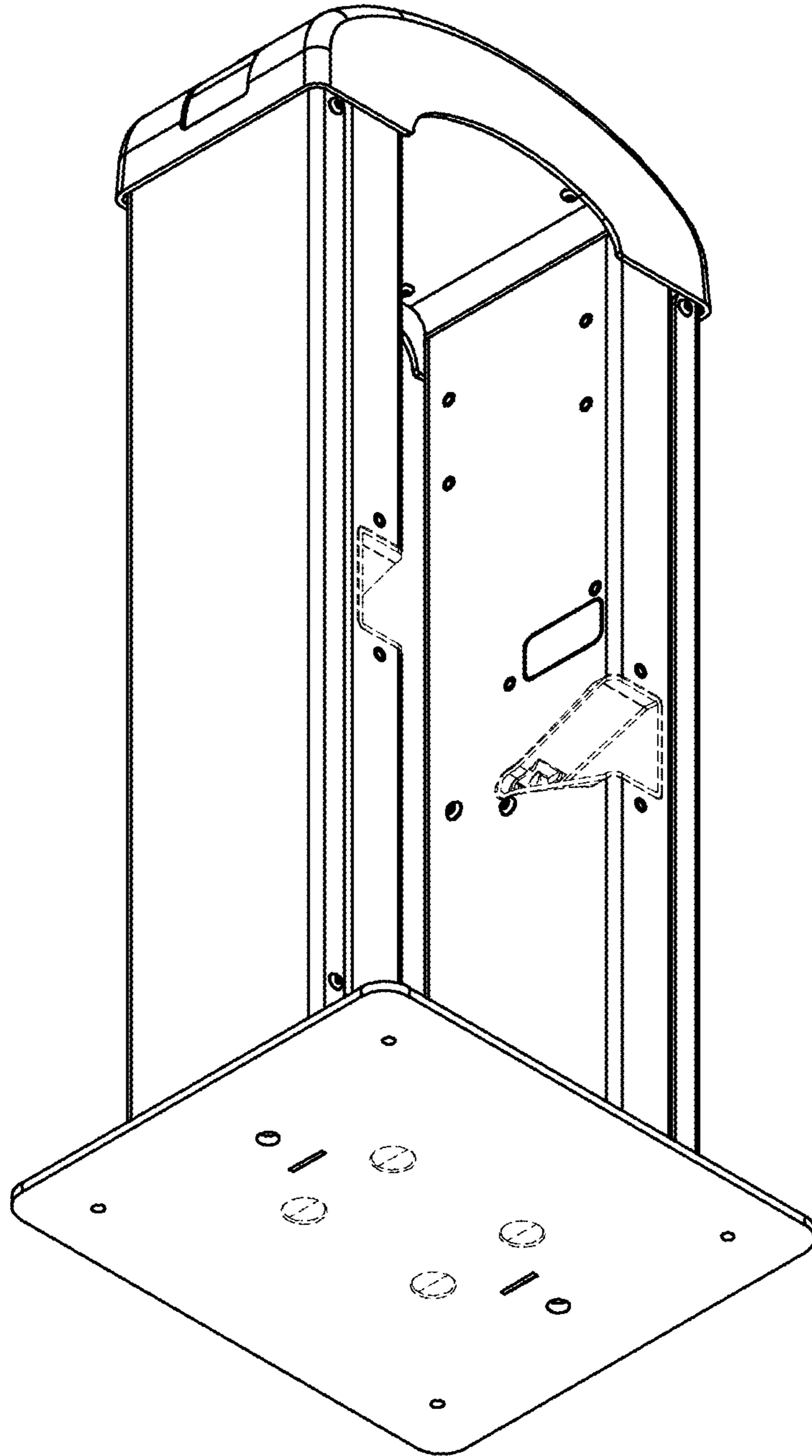


FIG. 9

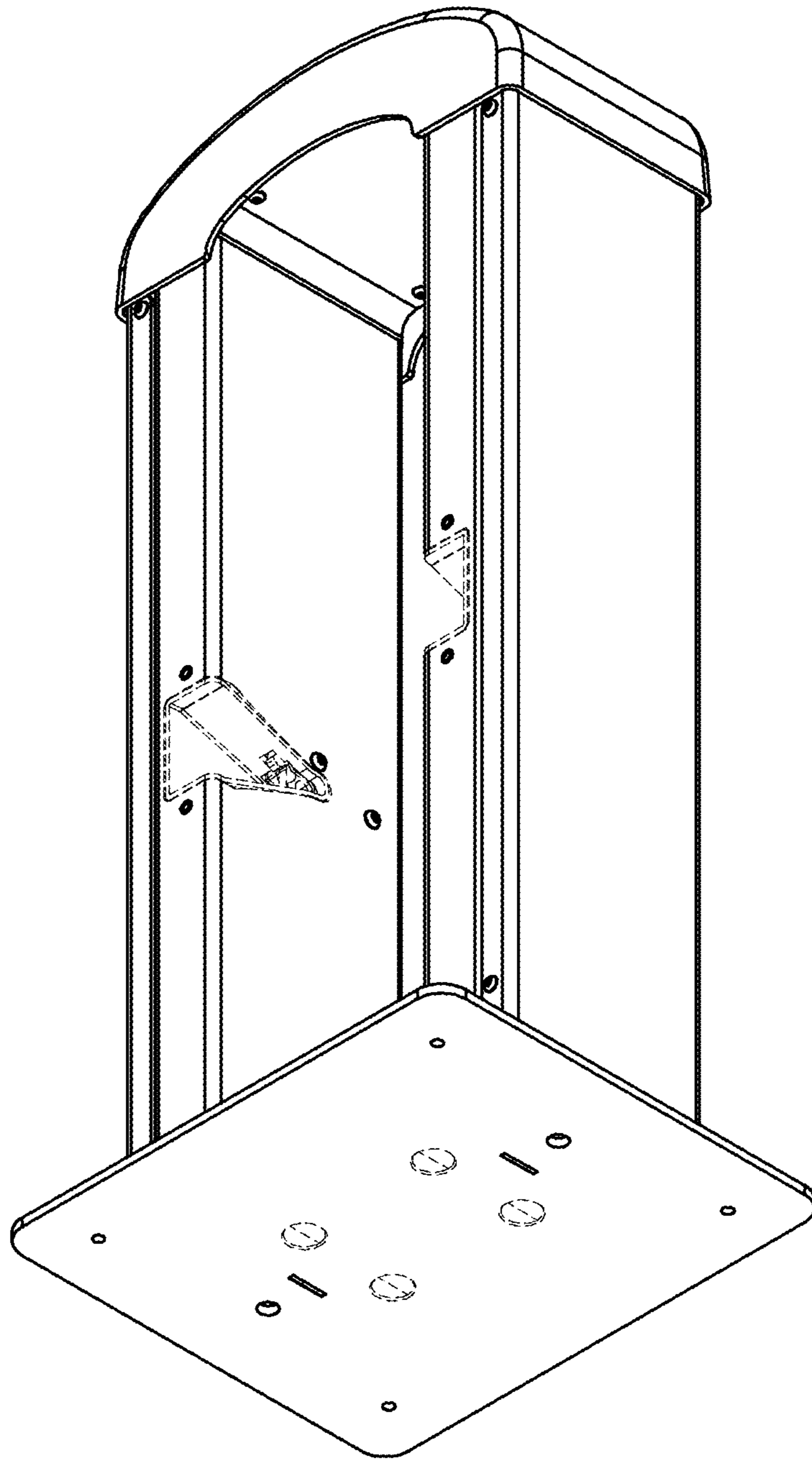


FIG. 10

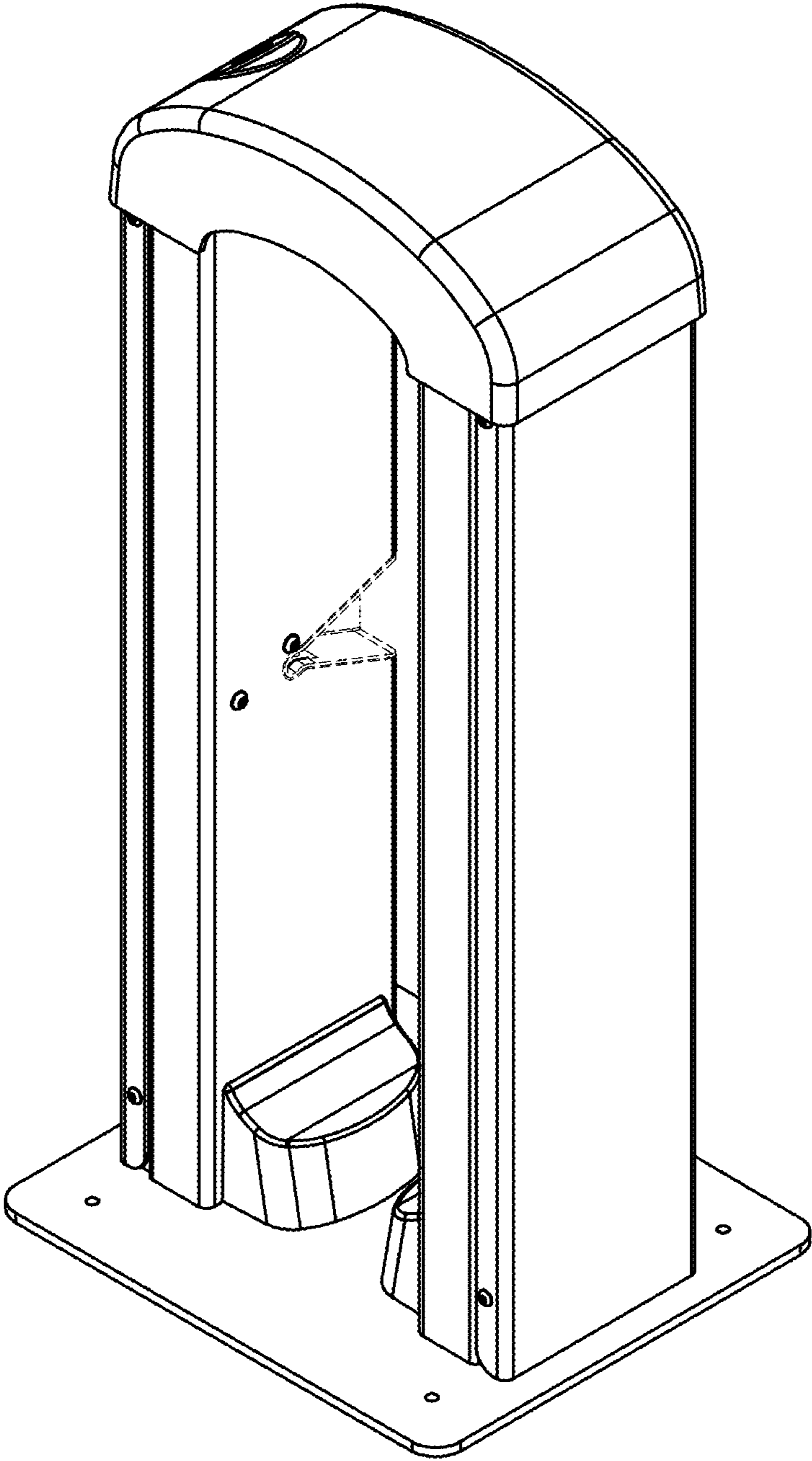


FIG. 11