



US00D941190S

(12) **United States Design Patent**  
**Micacchi**

(10) **Patent No.:** **US D941,190 S**  
(45) **Date of Patent:** **\*\* Jan. 18, 2022**

- (54) **BICYCLE FRAME**
- (71) Applicant: **Nicola Micacchi**, Rieti (IT)
- (72) Inventor: **Nicola Micacchi**, Rieti (IT)
- (73) Assignee: **MOHAWKNEE S.R.L.**, Rieti (IT)
- (\*\*) Term: **15 Years**
- (21) Appl. No.: **29/730,247**
- (22) Filed: **Apr. 2, 2020**

- D783,460 S \* 4/2017 Beale ..... D12/111
- 9,616,966 B2 \* 4/2017 Talavasek ..... B62K 25/28
- D797,610 S \* 9/2017 Jankura ..... D12/111
- D807,232 S \* 1/2018 Bailie ..... D12/111
- D811,946 S \* 3/2018 Williams ..... D12/111
- D828,231 S \* 9/2018 Yan ..... D12/111
- D833,333 S \* 11/2018 Yu ..... D12/111
- D845,178 S \* 4/2019 Yan ..... D12/111

(Continued)

*Primary Examiner* — Darlington Ly

(74) *Attorney, Agent, or Firm* — Lucas & Mercanti, LLP

**Related U.S. Application Data**

- (62) Division of application No. 29/653,302, filed on Jun. 14, 2018, now Pat. No. Des. 894,792.

**Foreign Application Priority Data**

Dec. 15, 2017 (IT) ..... 402017000145057

- (51) **LOC (13) Cl.** ..... **12-11**
- (52) **U.S. Cl.**  
USPC ..... **D12/111**
- (58) **Field of Classification Search**  
USPC ..... D12/111, 117; D21/412, 414, 419,  
D21/423–428, 431–435  
CPC ..... B62K 3/00; B62K 3/02; B62K 3/06  
See application file for complete search history.

**References Cited**

**U.S. PATENT DOCUMENTS**

- D491,111 S \* 6/2004 Mizuta ..... D12/111
- 7,377,535 B2 \* 5/2008 Chamberlain ..... B62K 19/34  
280/249
- D670,208 S \* 11/2012 Frenzel ..... D12/111
- D672,690 S \* 12/2012 Augustin ..... D12/111
- D694,156 S \* 11/2013 Taipalus ..... D12/111
- D719,488 S \* 12/2014 Stafford ..... D12/111
- 8,931,793 B2 \* 1/2015 Klieber ..... B62K 19/30  
280/283
- D727,215 S \* 4/2015 Yang ..... D12/111
- D741,221 S \* 10/2015 Haller ..... D12/111

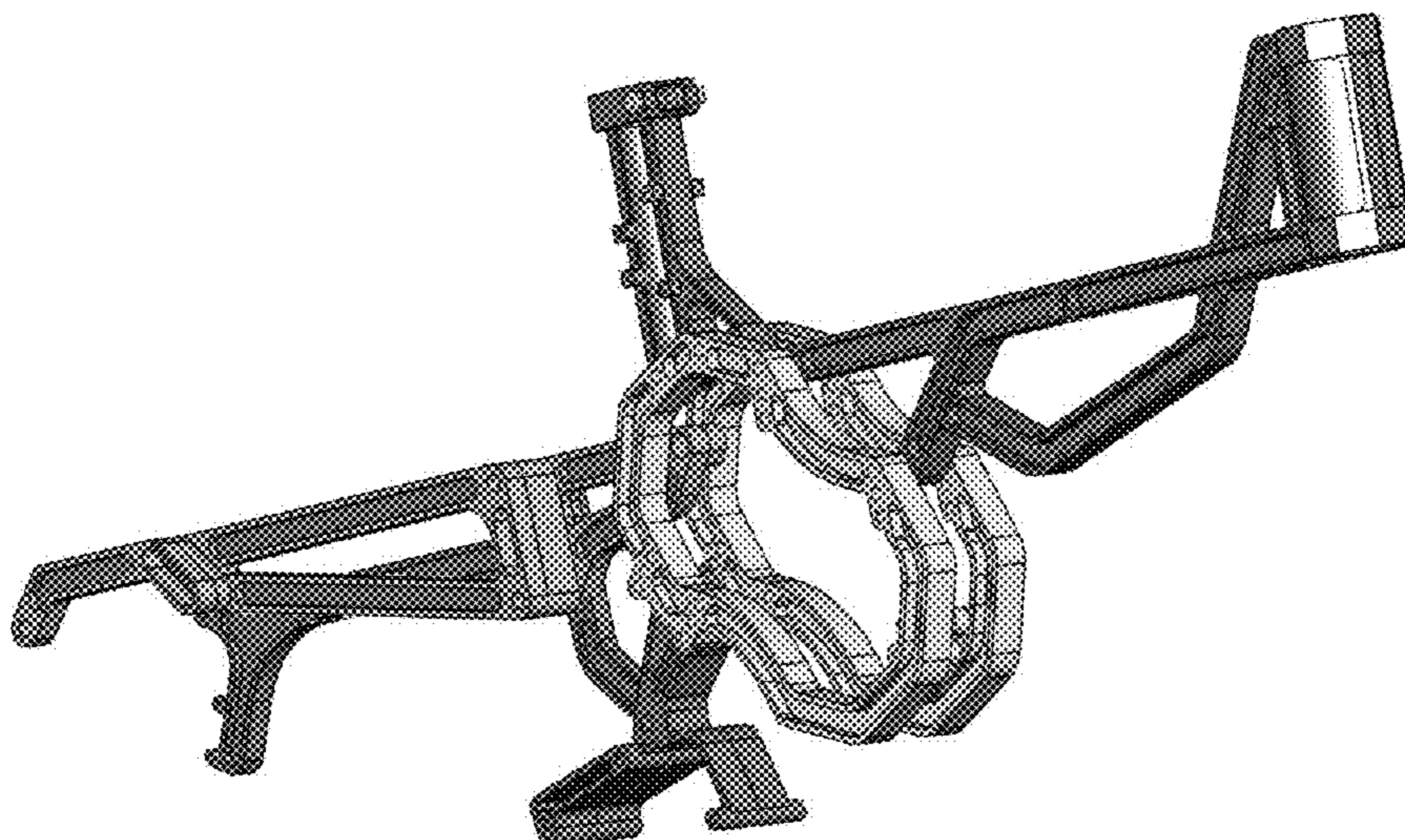
(57) **CLAIM**

The ornamental design for a bicycle frame, as shown and described.

**DESCRIPTION**

FIG. 1 is a right side elevation view of a fully assembled bicycle frame embodying my new design;  
 FIG. 2 is a left side elevation view thereof;  
 FIG. 3 is a top plan view thereof;  
 FIG. 4 is an exploded perspective view thereof without the rear fork component;  
 FIG. 5 is a front and right side perspective view thereof;  
 FIG. 6 is a rear and right side perspective view thereof;  
 FIG. 7 is a front and right side perspective view of the main horizontal tube component thereof;  
 FIG. 8 is a rear and left side perspective view of the main horizontal tube component thereof;  
 FIG. 9 is a rear and right side perspective view of the saddle column portion thereof;  
 FIG. 10 is a rear and right side perspective view of the rear fork component thereof;  
 FIG. 11 is a rear and left side perspective view of the rear fork component thereof; and,  
 FIG. 12 is a rear and right side perspective view of the structural cage component thereof.

**1 Claim, 12 Drawing Sheets**



(56)

**References Cited**

U.S. PATENT DOCUMENTS

D847,033 S \* 4/2019 Yan ..... D12/111  
D858,359 S \* 9/2019 Lentz ..... D12/111  
2013/0221633 A1\* 8/2013 Jankura ..... B62K 19/30  
280/274

\* cited by examiner

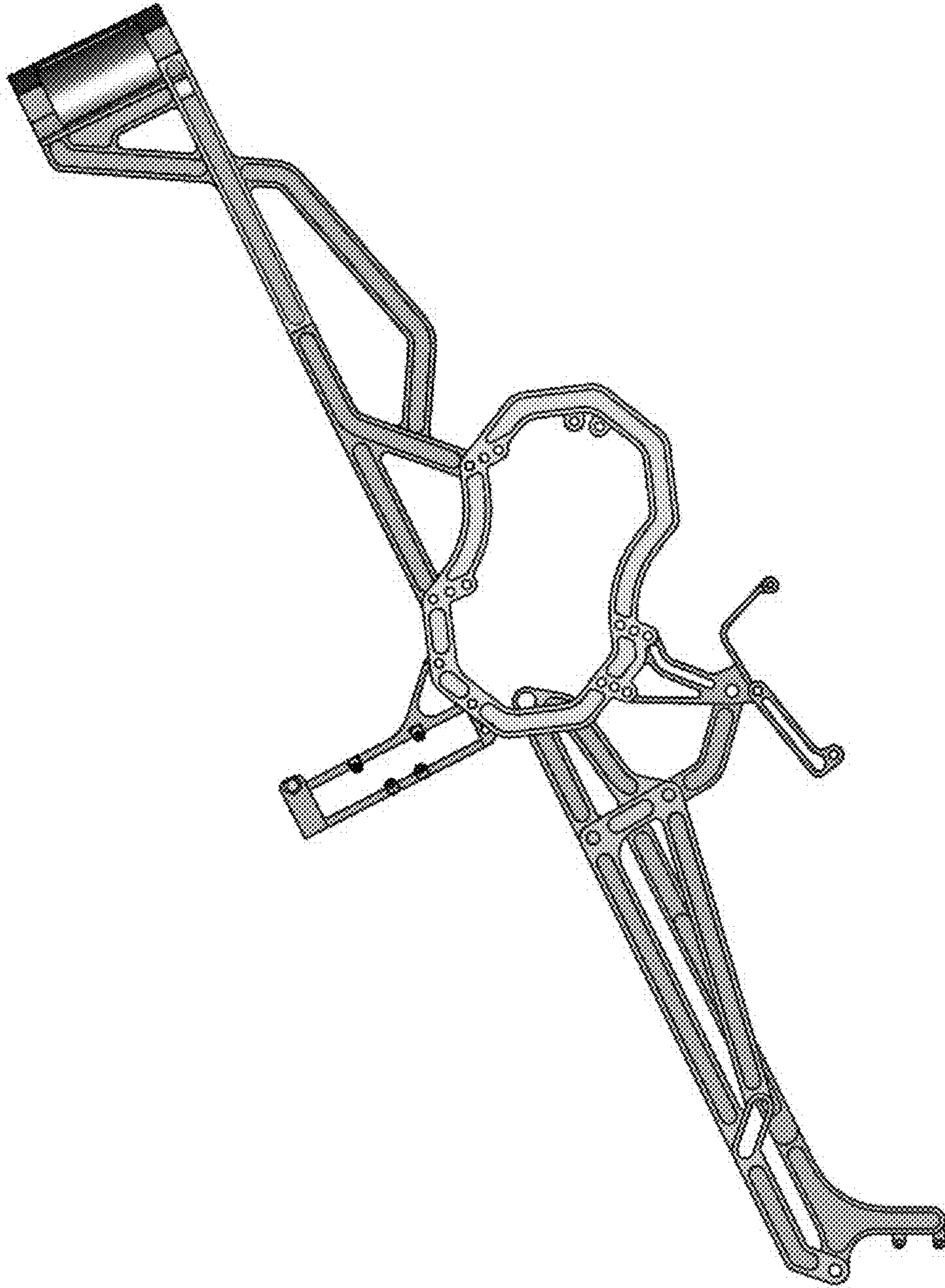


FIG.1

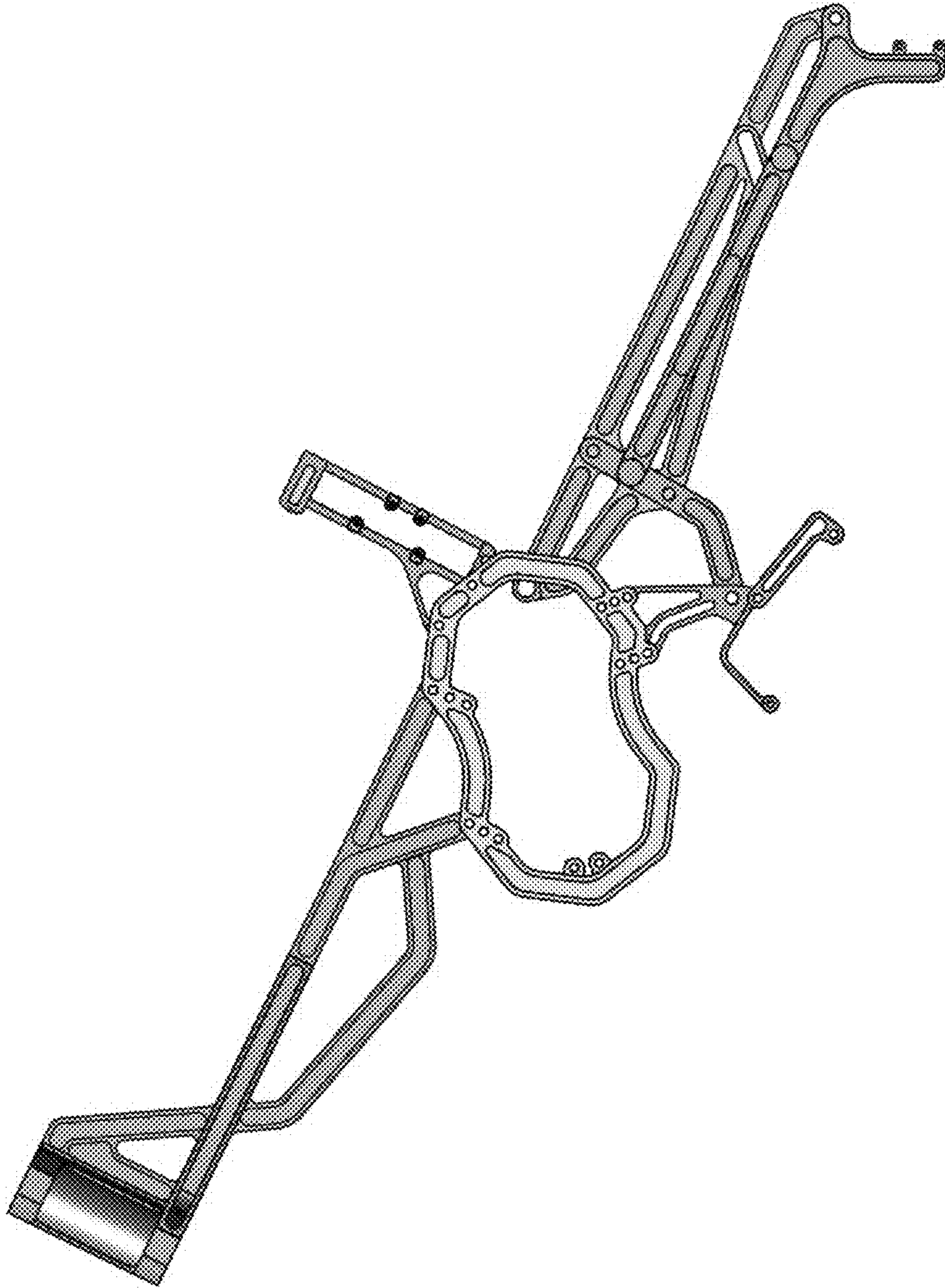


FIG.2

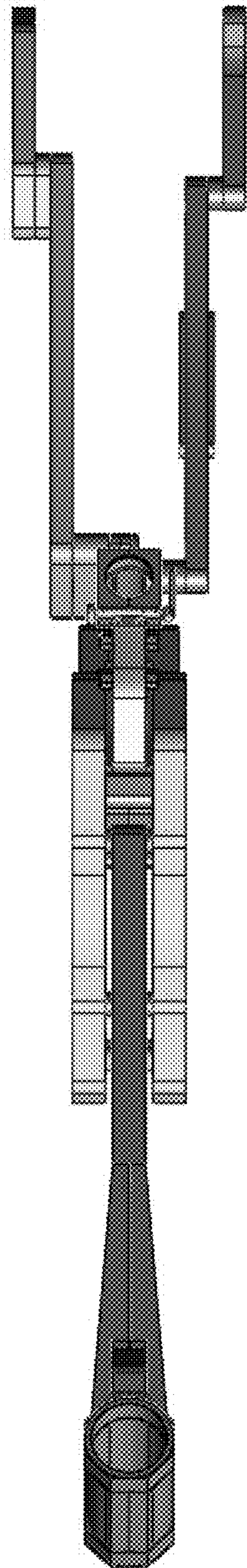


FIG.3

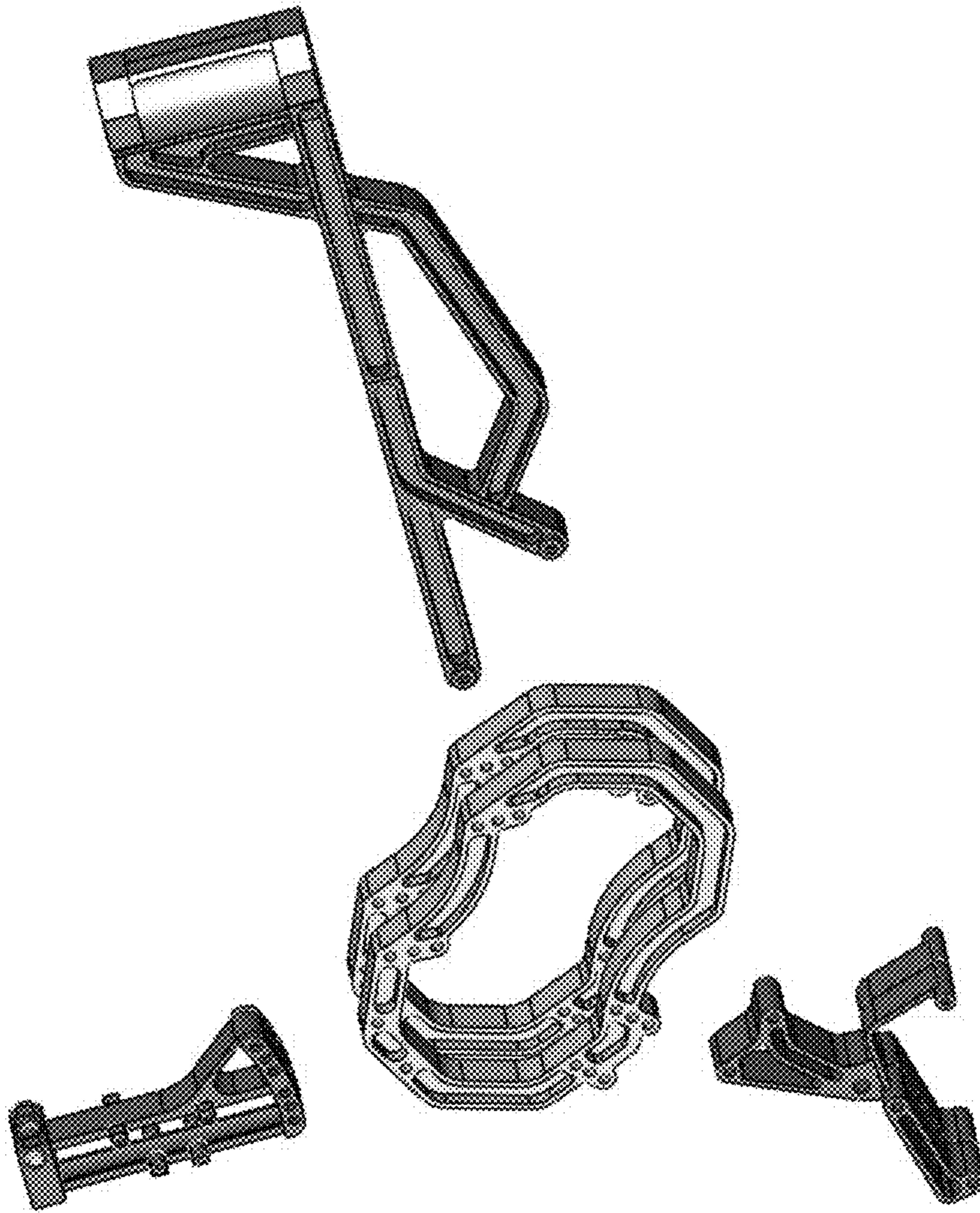


FIG.4

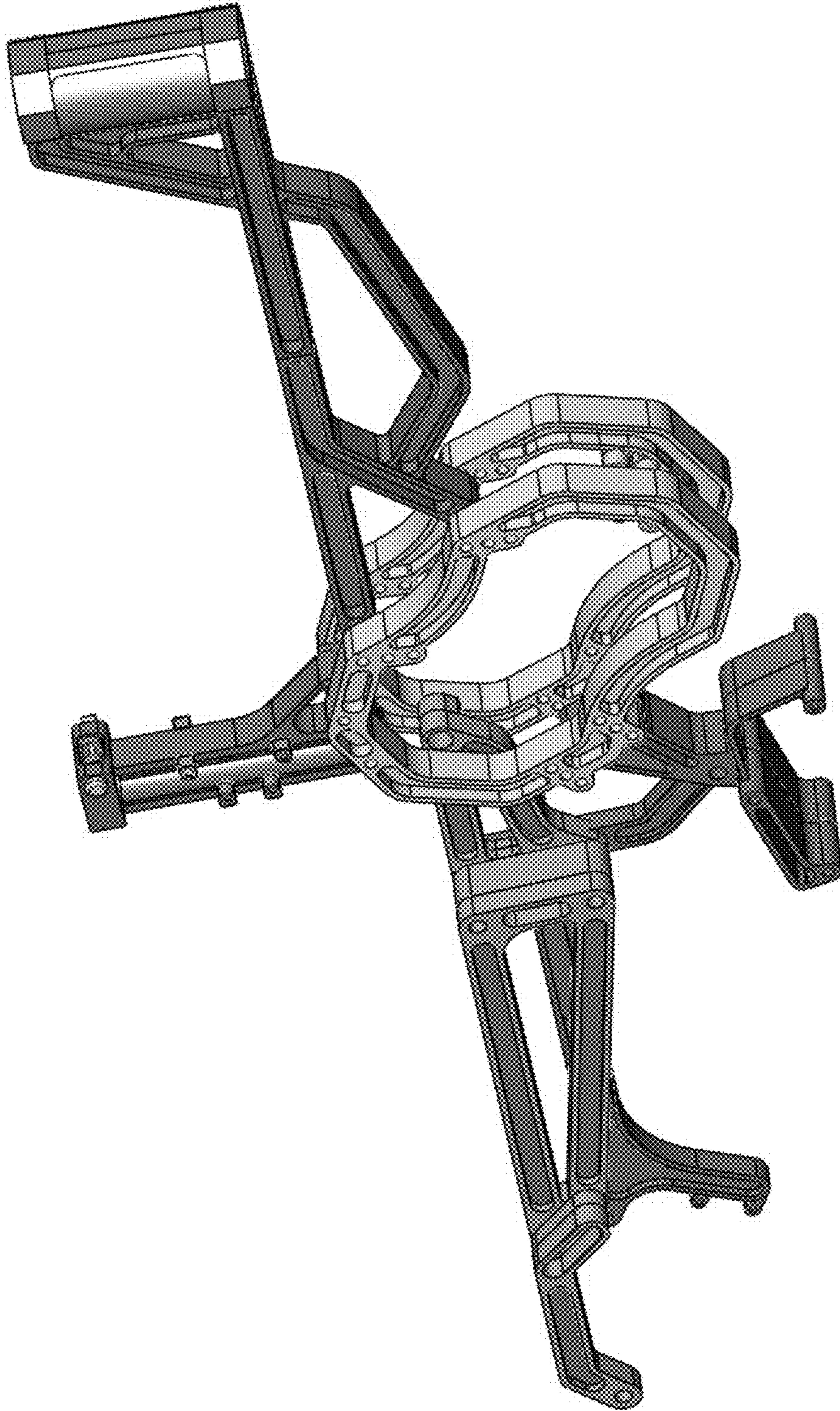


FIG.5

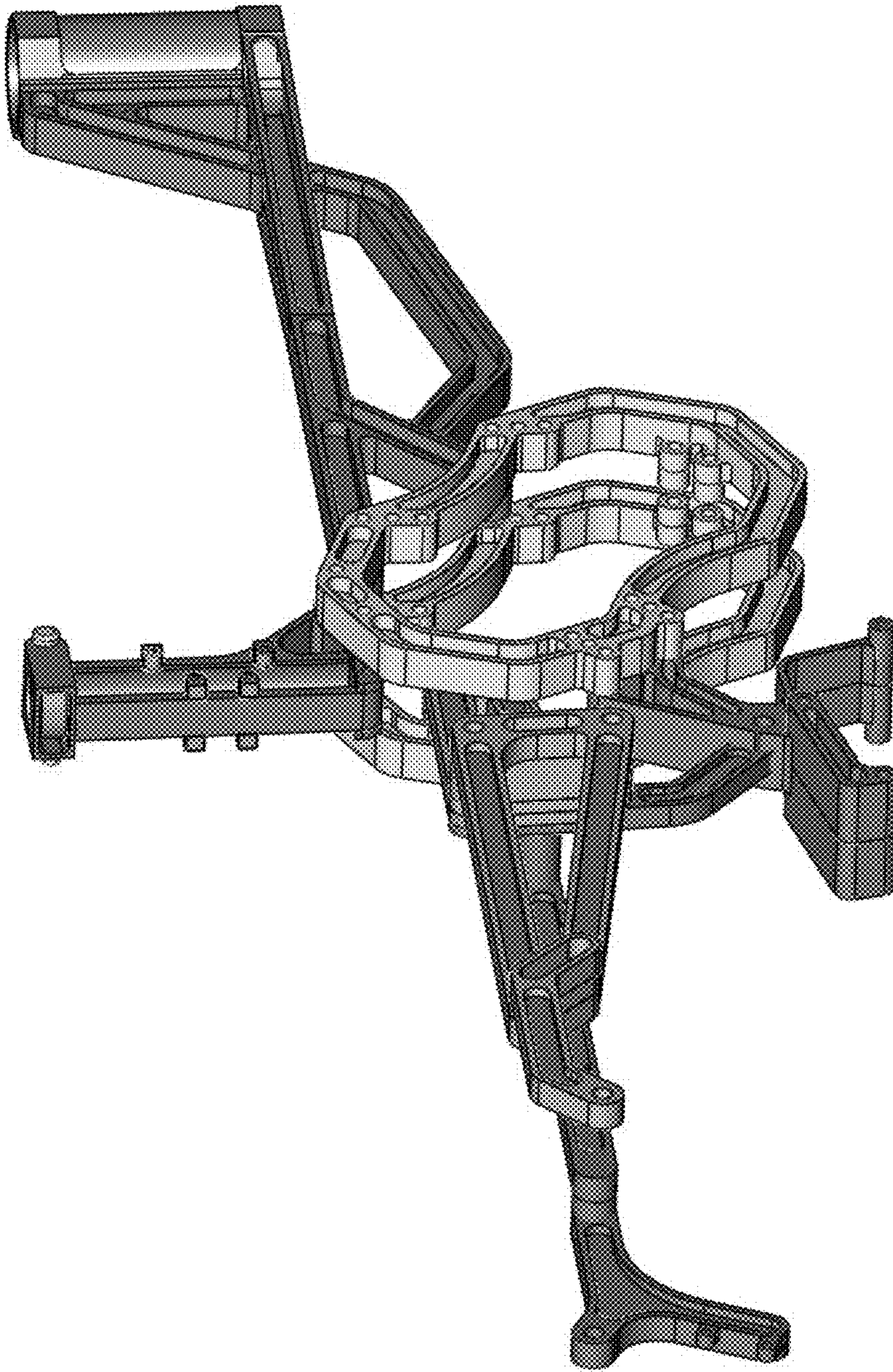


FIG.6



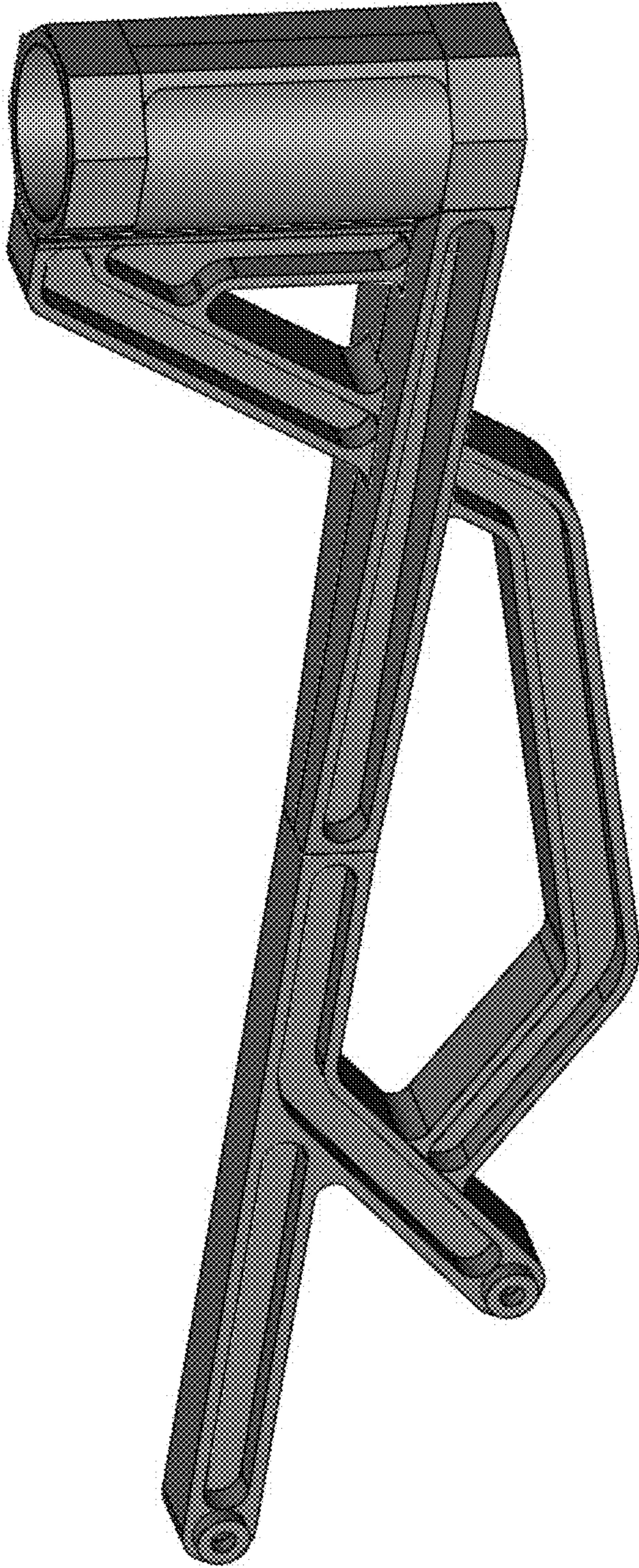


FIG.7

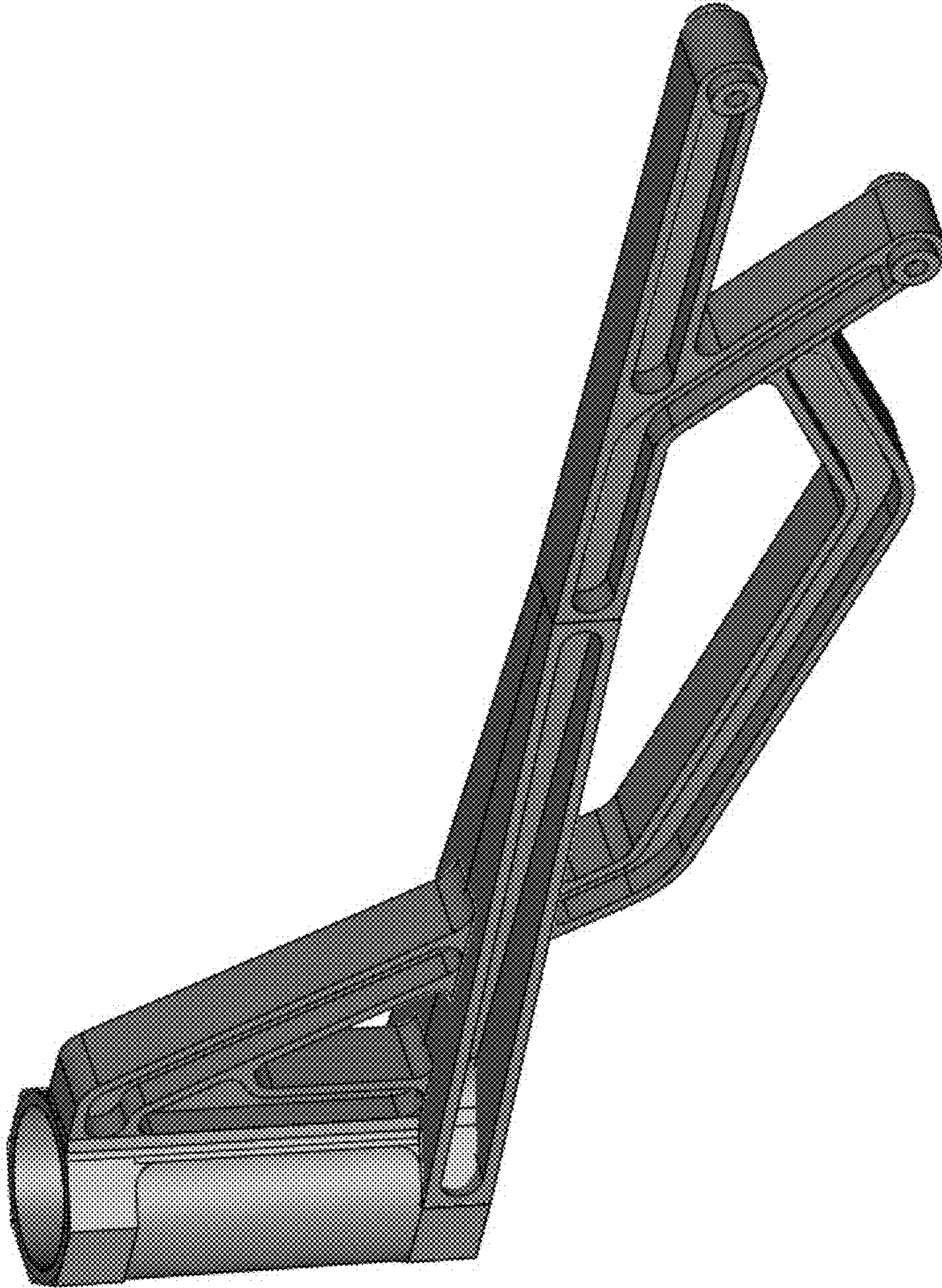


FIG. 8

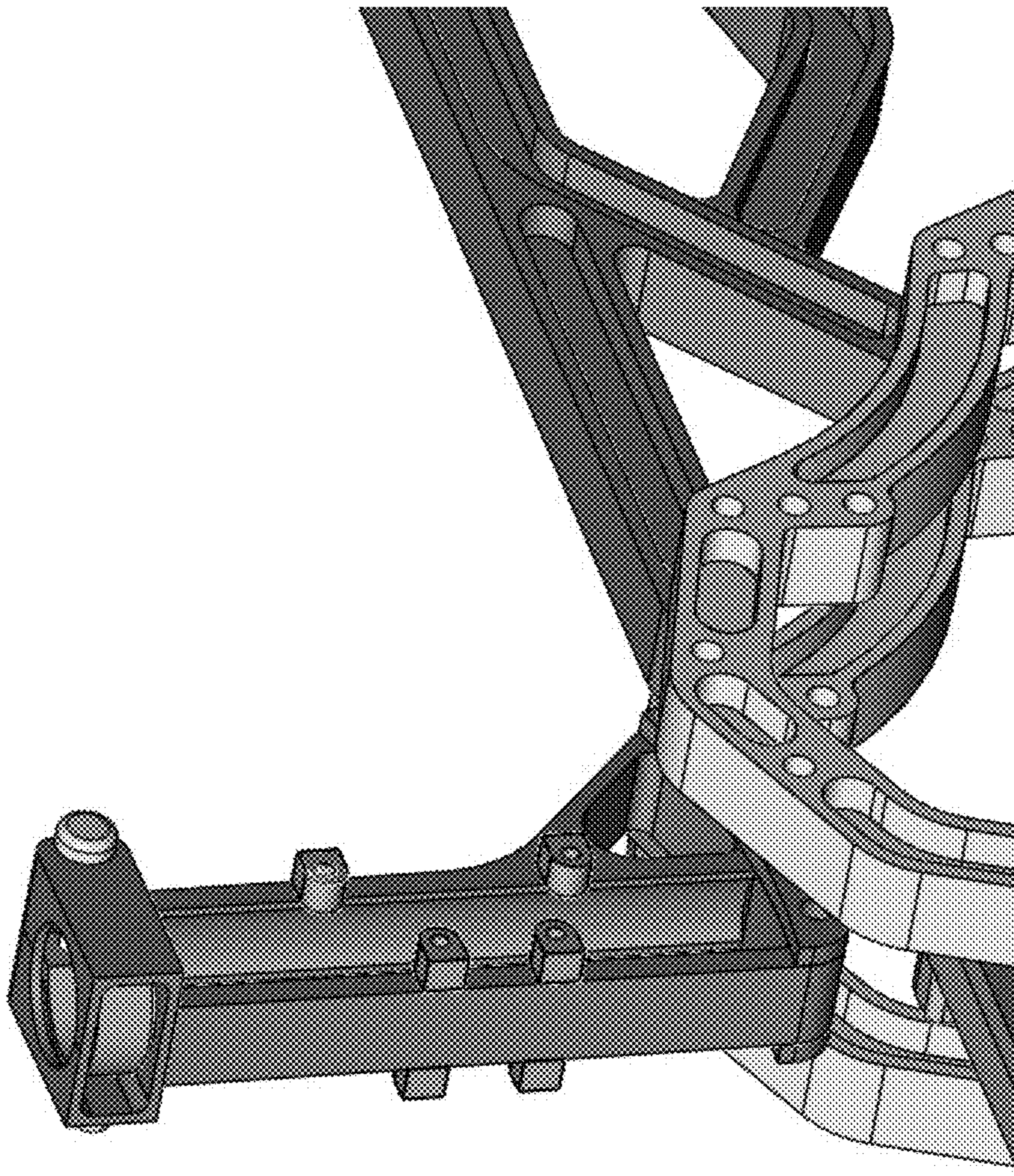


FIG.9

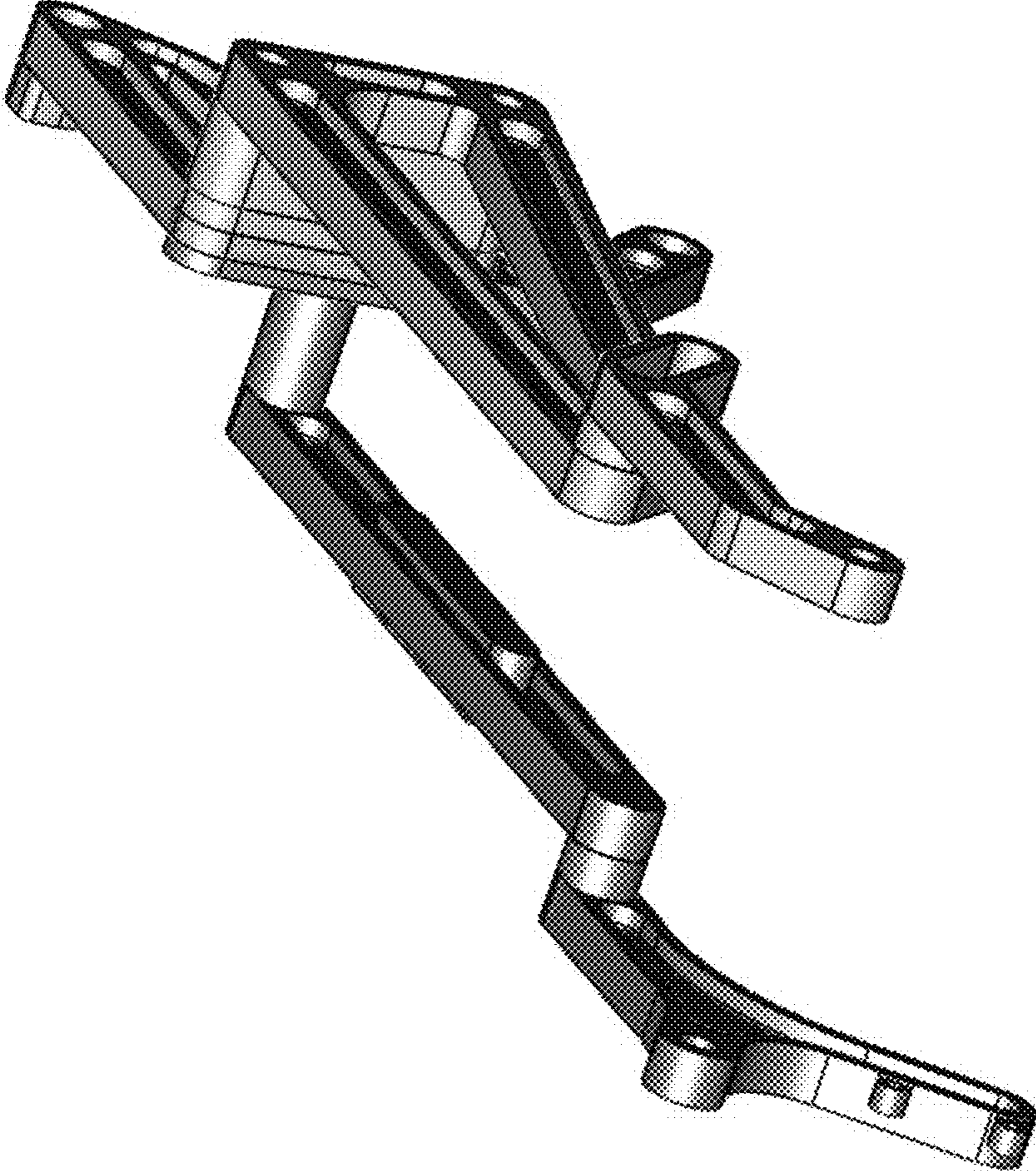


FIG.10

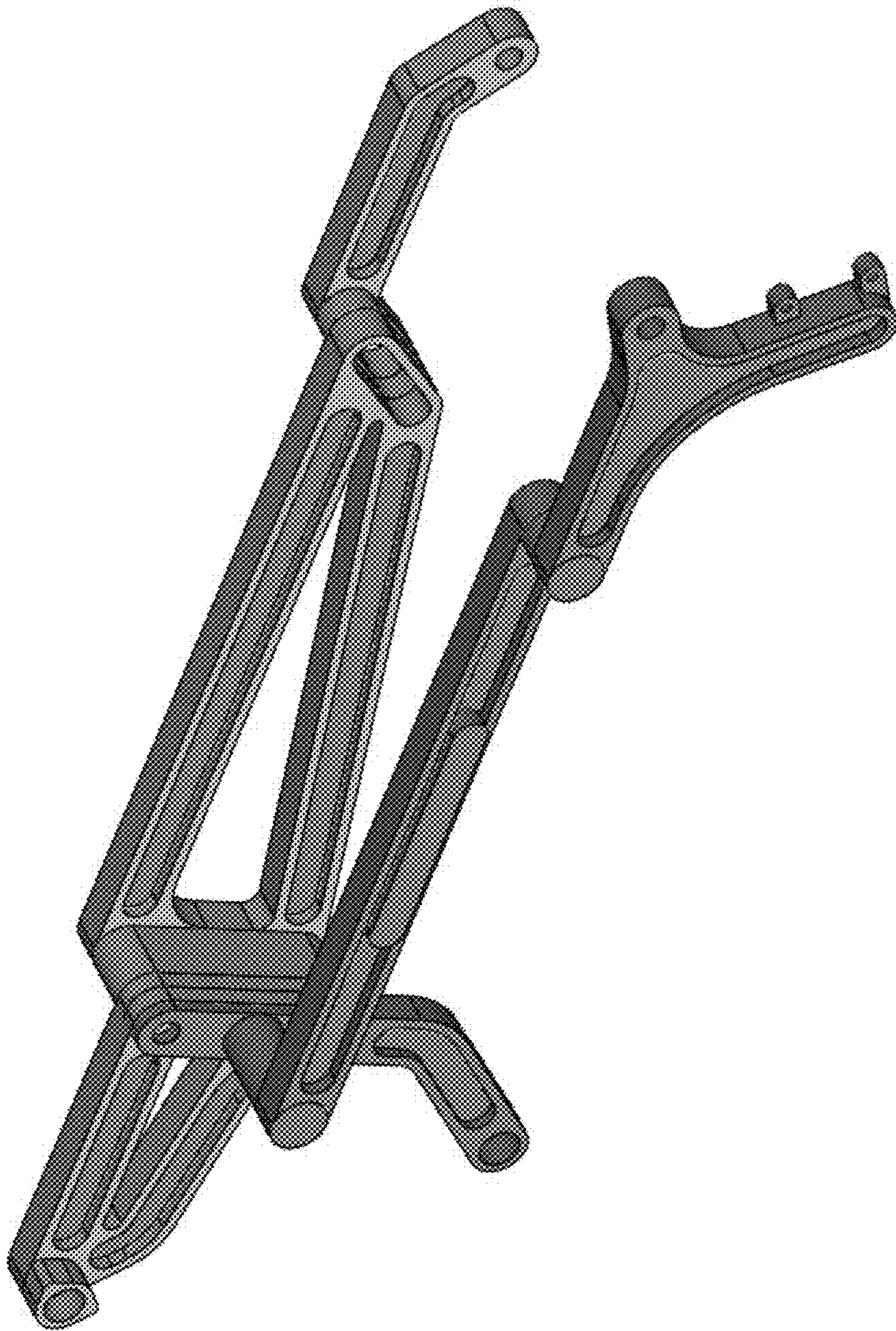


FIG.11

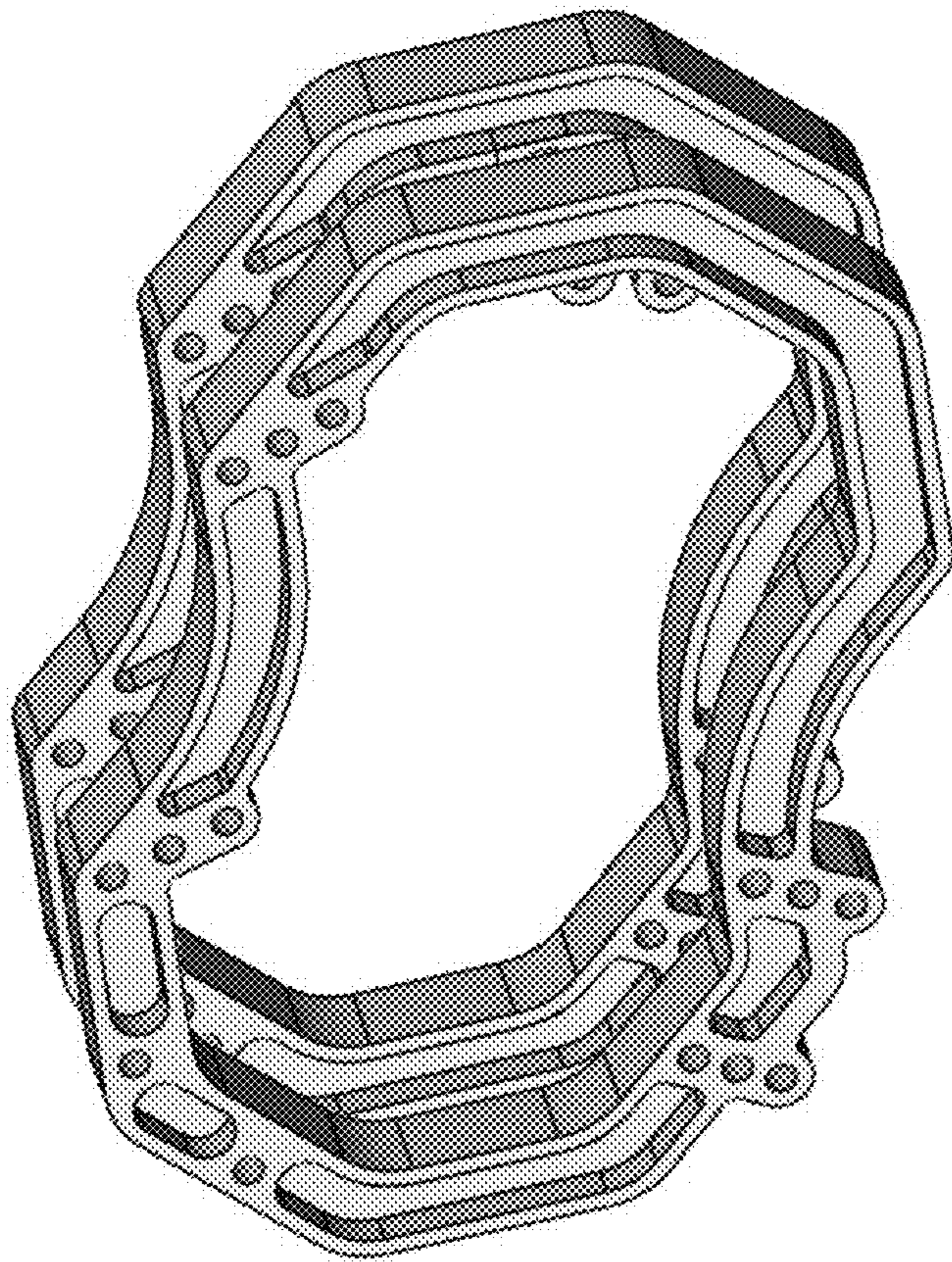


FIG.12