



US00D941188S

(12) **United States Design Patent**  
**Grand**

(10) **Patent No.:** **US D941,188 S**

(45) **Date of Patent:** **\*\* Jan. 18, 2022**

(54) **VEHICLE**

(71) Applicant: **Jaguar Land Rover Limited**, Coventry (GB)

(72) Inventor: **Simon Grand**, Coventry (GB)

(73) Assignee: **Jaguar Land Rover Limited**, Whitley Coventry (GB)

(\*\*) Term: **15 Years**

(21) Appl. No.: **29/721,403**

(22) Filed: **Jan. 21, 2020**

(30) **Foreign Application Priority Data**

Jul. 25, 2019 (EM) ..... 006648713

(51) **LOC (13) Cl.** ..... **12-08**

(52) **U.S. Cl.**  
USPC ..... **D12/92**

(58) **Field of Classification Search**  
USPC ..... D12/86, 90-92, 88; D21/424, 433, 434,  
D21/533; 296/181.1-181.5, 183.1  
CPC ..... B62D 25/00; B62D 25/06; B62D 33/00;  
B62D 35/00  
See application file for complete search history.

(56) **References Cited**

**U.S. PATENT DOCUMENTS**

D718,188 S	*	11/2014	Wheel	.....	D12/91
D735,610 S	*	8/2015	Wheel	.....	D12/91
D750,531 S	*	3/2016	Watkins	.....	D12/91
D750,532 S	*	3/2016	Frascella	.....	D12/91
D774,417 S	*	12/2016	Watkins	.....	D12/91
D805,959 S	*	12/2017	Wheel	.....	D12/91
D805,960 S	*	12/2017	Wheel	.....	D12/91
D807,228 S	*	1/2018	Woolley	.....	D12/91

D817,817 S	*	5/2018	Frascella	.....	D12/91
D818,399 S	*	5/2018	Frascella	.....	D12/91
D834,450 S	*	11/2018	Hill	.....	D12/91
D840,269 S	*	2/2019	Frascella	.....	D12/91
D840,272 S	*	2/2019	Battams	.....	D12/91
D840,273 S	*	2/2019	Battams	.....	D12/91
D840,274 S	*	2/2019	Grewer	.....	D12/91
D843,268 S	*	3/2019	Buttigeig	.....	D12/91
D849,600 S	*	5/2019	Egan	.....	D12/91
D860,050 S	*	9/2019	Grewer	.....	D12/91
D875,603 S	*	2/2020	Grand	.....	D12/91
D875,604 S	*	2/2020	Grand	.....	D12/91
D875,605 S	*	2/2020	Grand	.....	D12/91
D875,606 S	*	2/2020	Grand	.....	D12/91
D900,678 S	*	11/2020	Grand	.....	D12/91
D901,334 S	*	11/2020	Grand	.....	D12/91
D911,877 S	*	3/2021	Grand	.....	D12/91

\* cited by examiner

*Primary Examiner* — Melody N Brown

(74) *Attorney, Agent, or Firm* — Wood Herron & Evans LLP

(57) **CLAIM**

The ornamental design for a vehicle, as shown and described.

**DESCRIPTION**

FIG. 1 is a left, front perspective view of a vehicle showing my new design;

FIG. 2 is a right, rear perspective view thereof;

FIG. 3 is a front view thereof.

FIG. 4 is a rear view thereof.

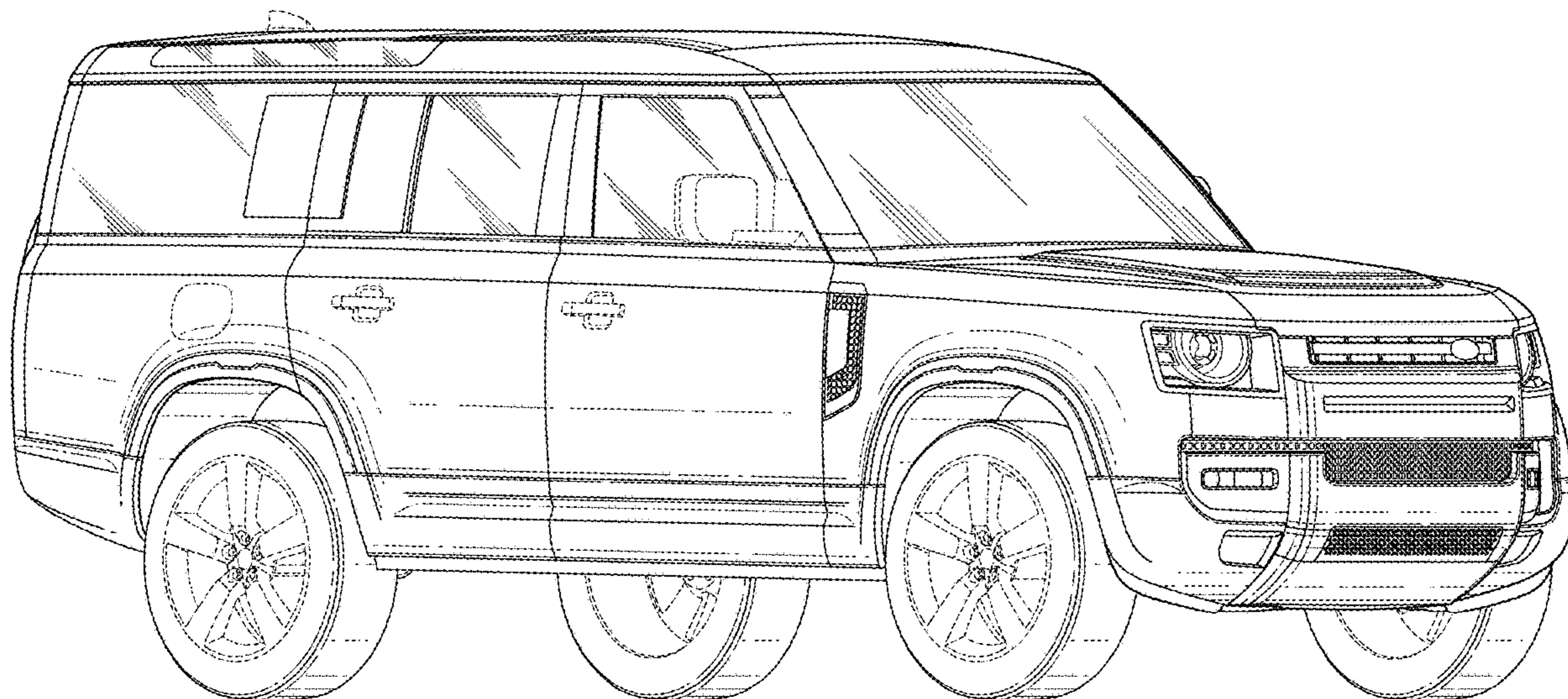
FIG. 5 is a left side view thereof.

FIG. 6 is a right side view thereof; and,

FIG. 7 is a top view thereof.

The broken lines shown throughout the drawing views are for environmental and illustrative purposes and form no part of the claimed design.

**1 Claim, 7 Drawing Sheets**



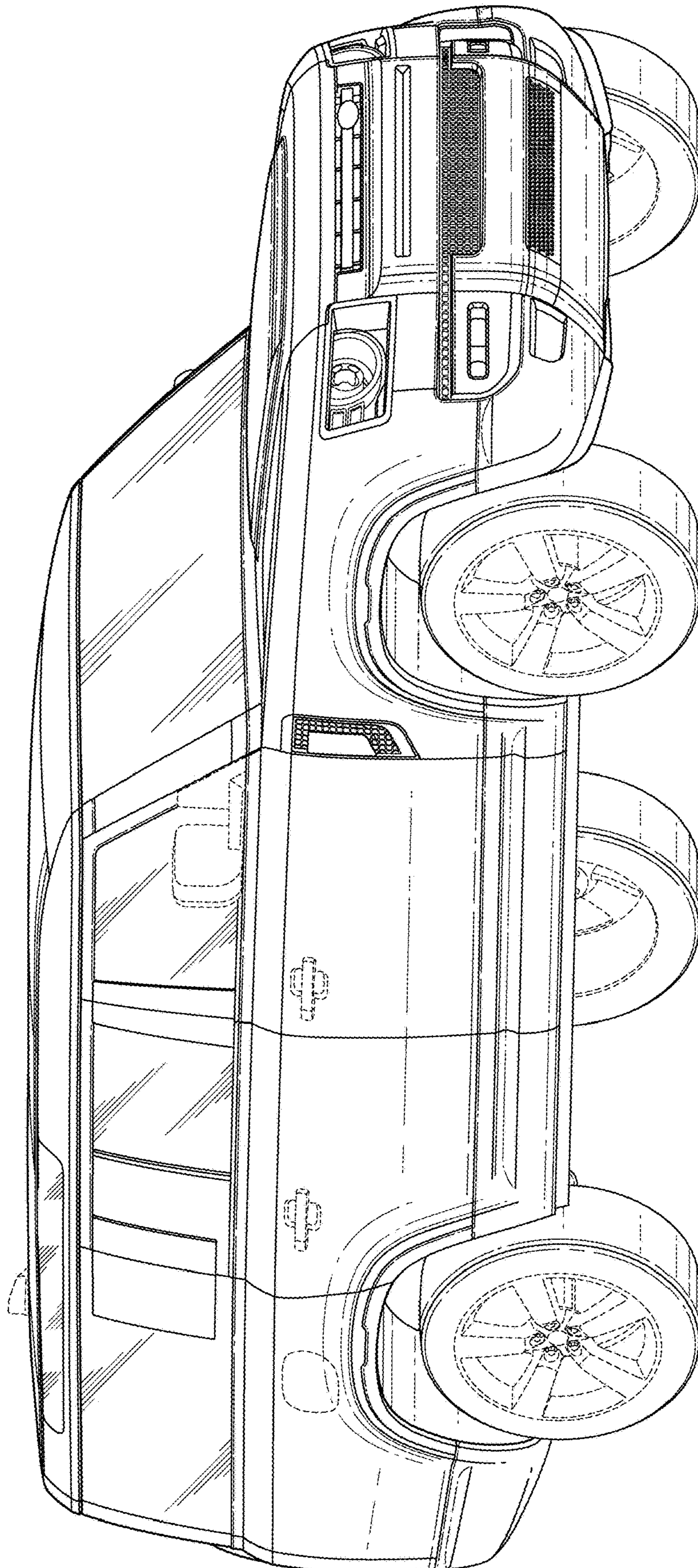


FIG. 1

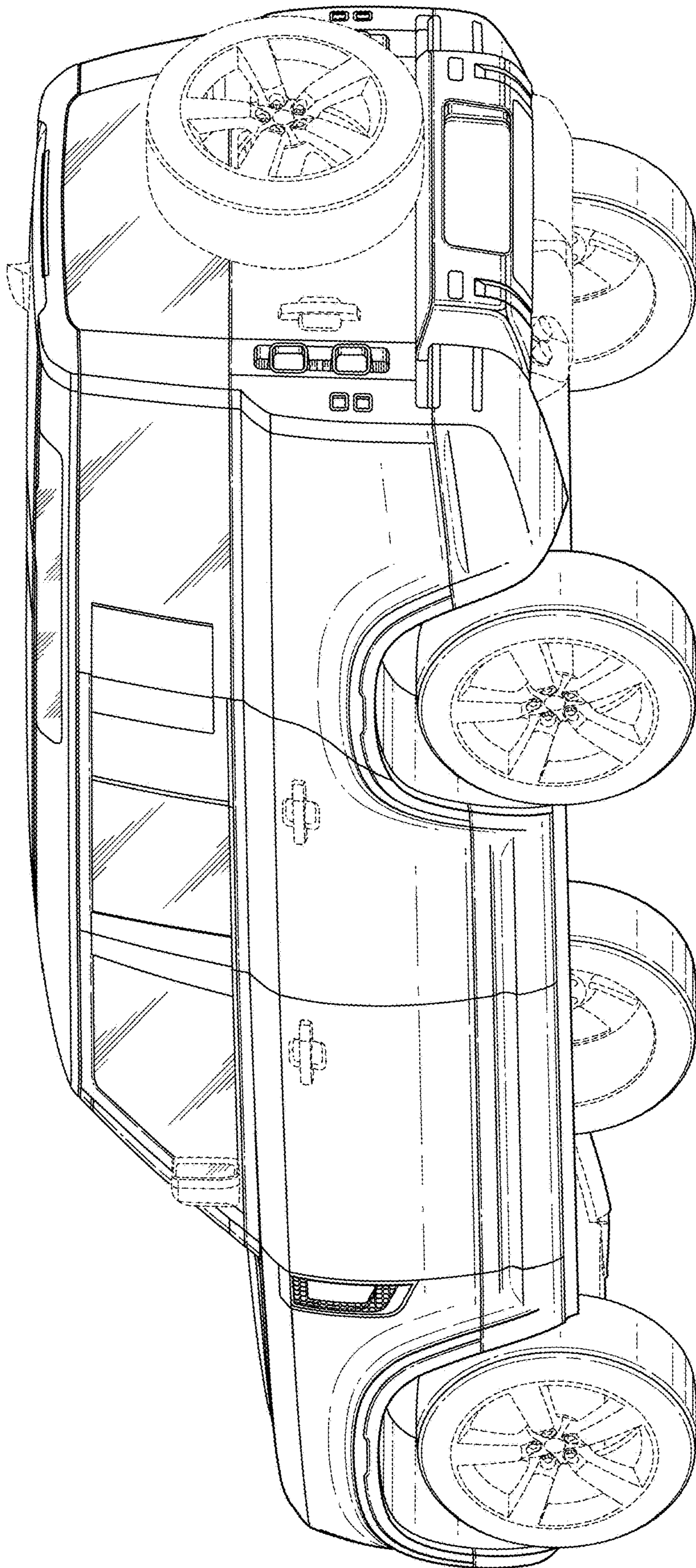


FIG. 2

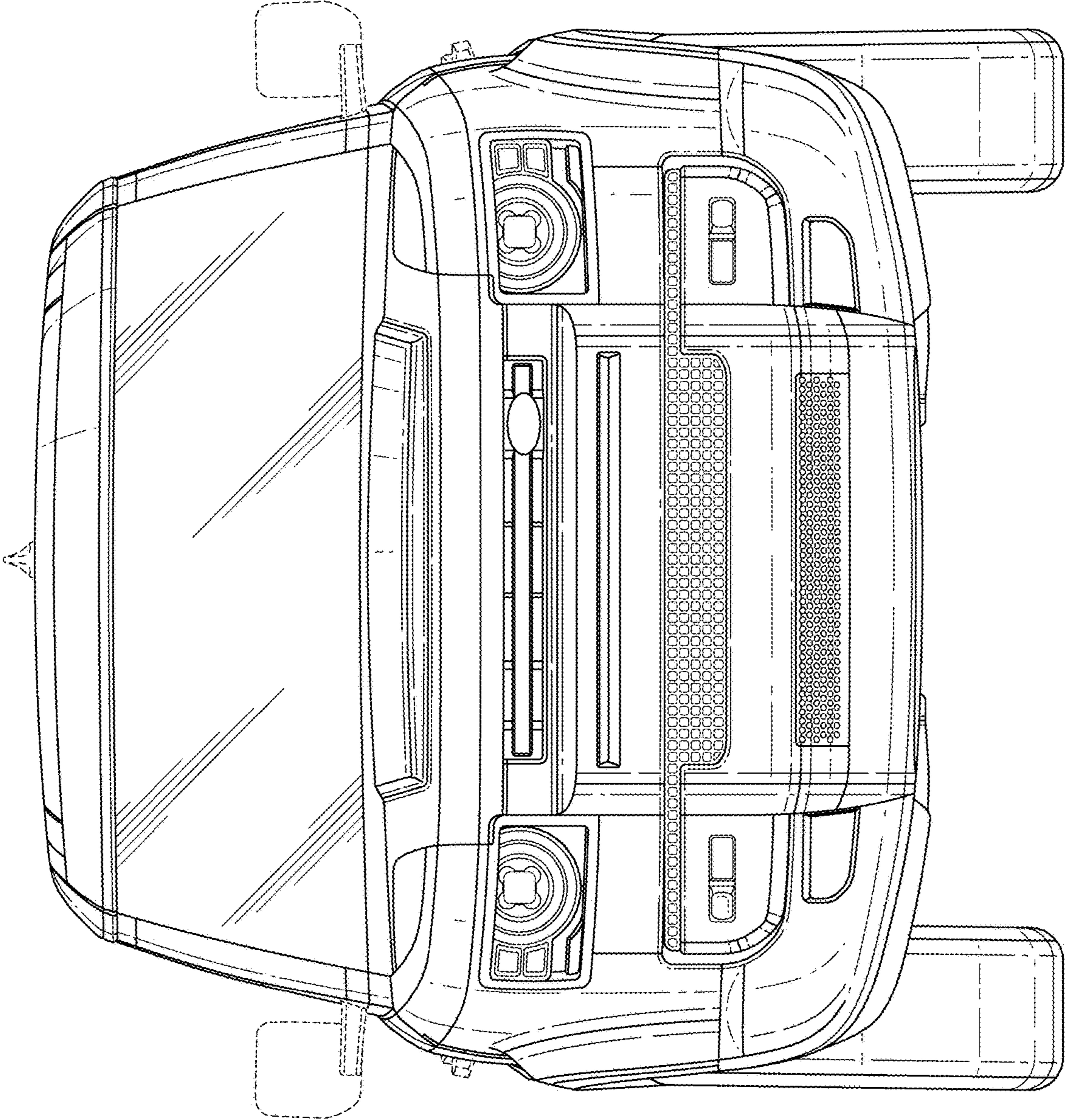


FIG. 3

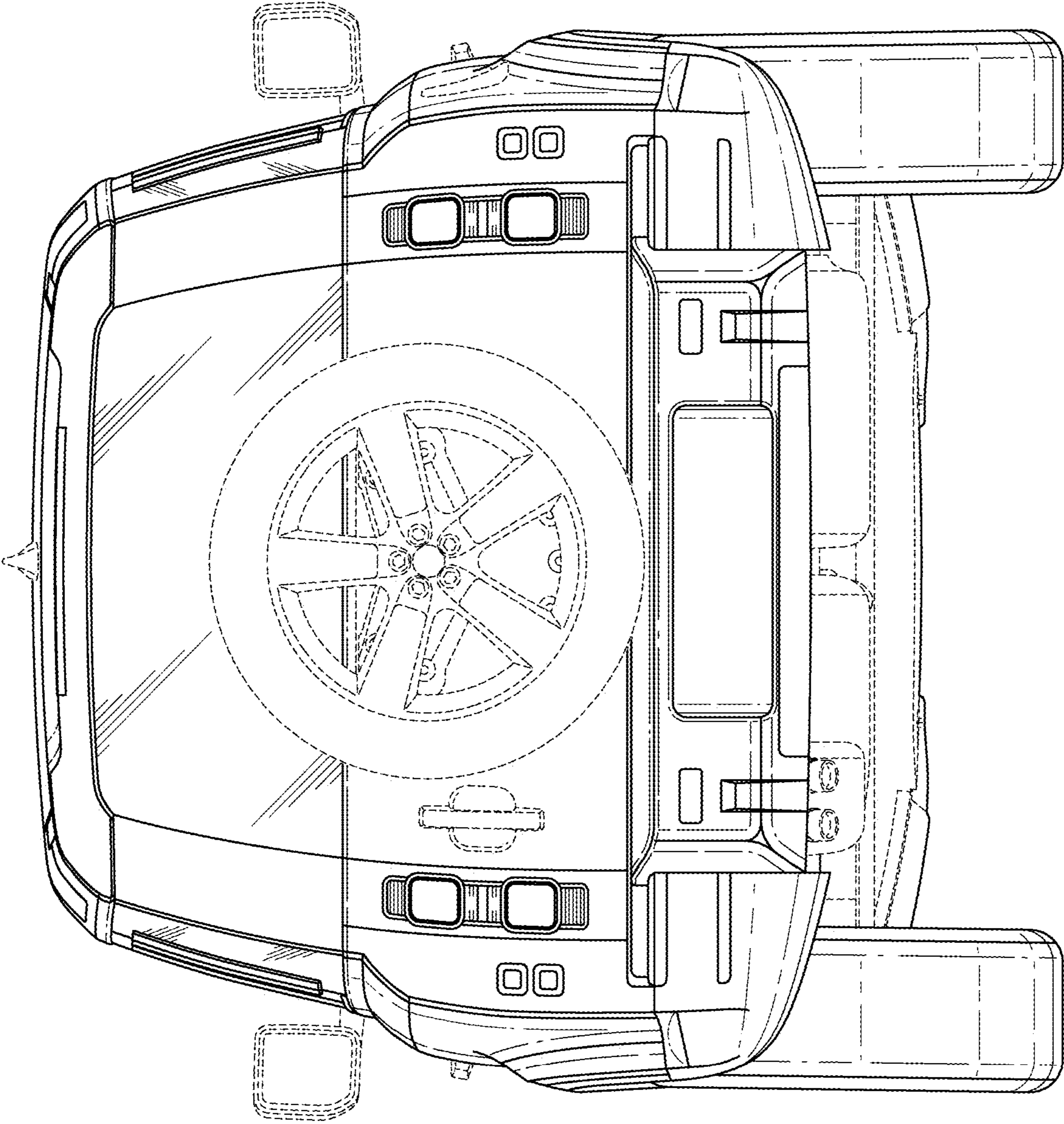


FIG. 4

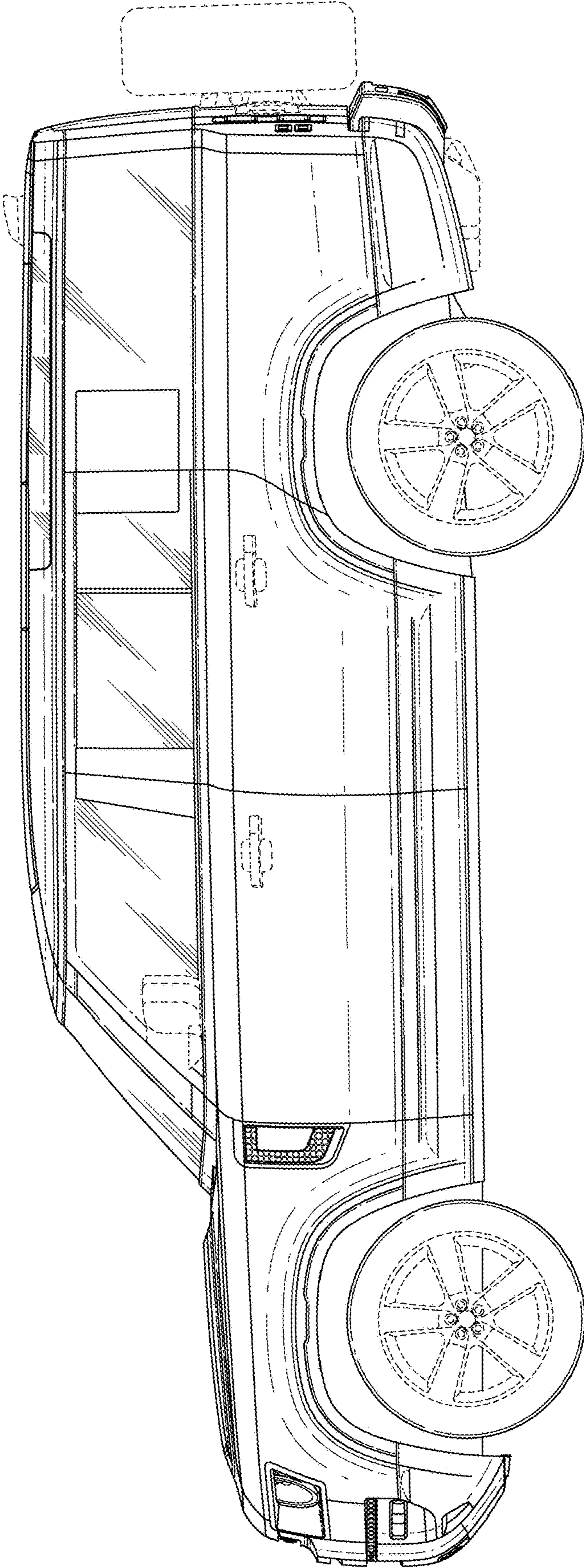


FIG. 5

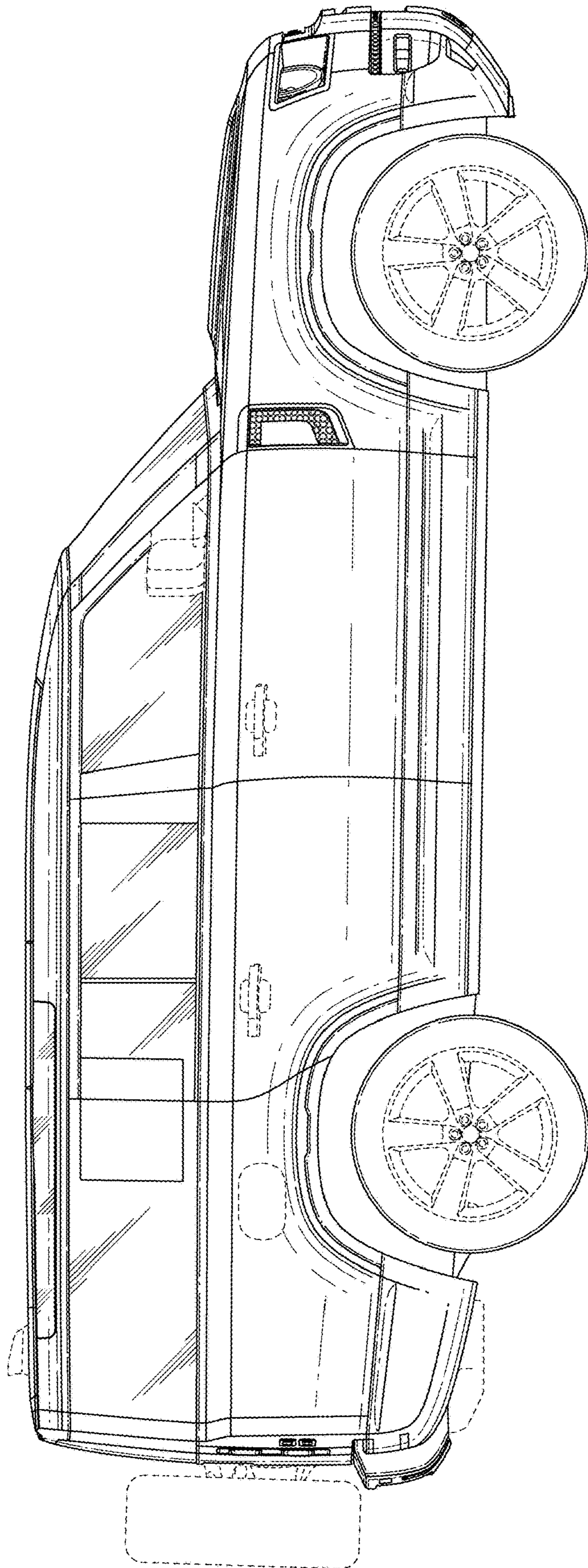


FIG. 6

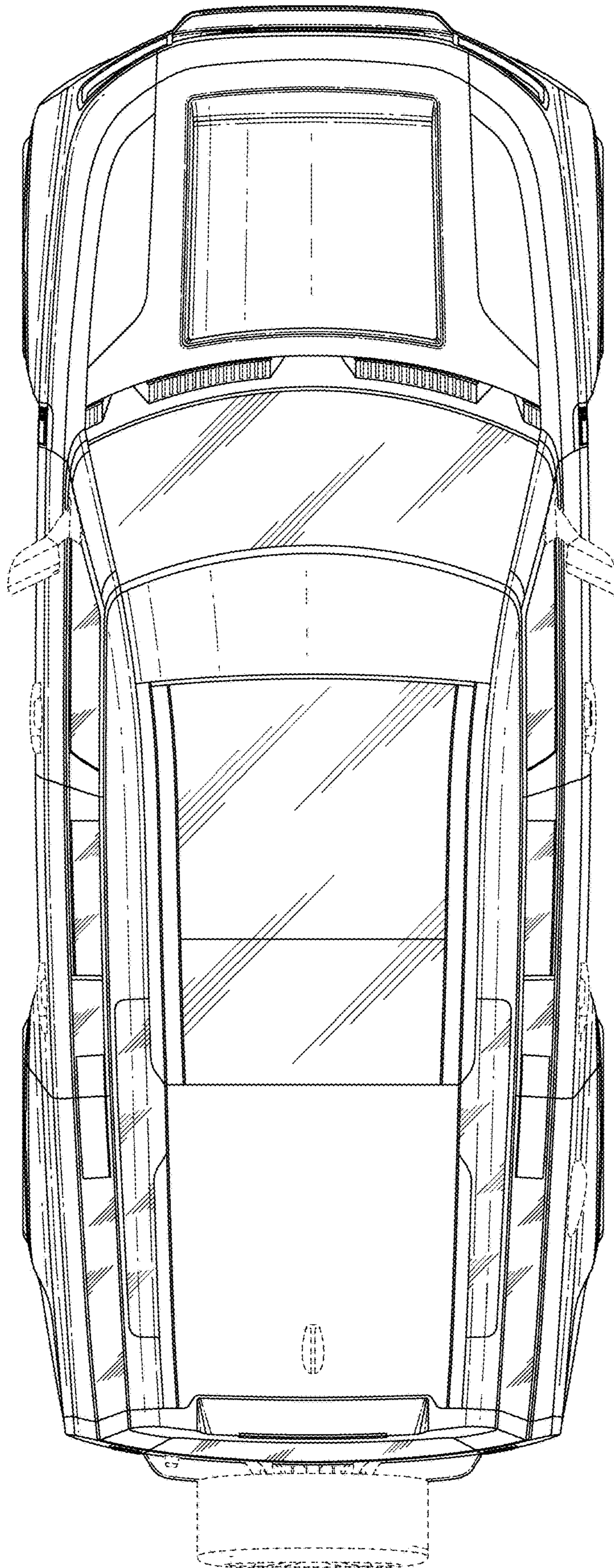


FIG. 7