

US00D941185S

(12) **United States Design Patent**
Colborne

(10) **Patent No.:** **US D941,185 S**

(45) **Date of Patent:** **** Jan. 18, 2022**

(54) **CAR BODY**

D839,133 S * 1/2019 Hilton D12/88
D899,303 S * 10/2020 Hilton D12/88

(71) Applicant: **Apex Motors Technology Limited,**
Kwai Fong (HK)

* cited by examiner

(72) Inventor: **Guy Colborne,** Littlehampton (GB)

Primary Examiner — Melody N Brown

(73) Assignee: **Apex Motors Technology Limited,**
New Territories (HK)

(74) *Attorney, Agent, or Firm* — Barlow, Josephs &
Holmes, Ltd.; Stephen J. Holmes

(**) Term: **15 Years**

(57) **CLAIM**

(21) Appl. No.: **29/727,809**

The ornamental design for a car body, as shown and described.

(22) Filed: **Mar. 13, 2020**

(51) **LOC (13) Cl.** **12-08**

(52) **U.S. Cl.**

USPC **D12/88**

(58) **Field of Classification Search**

USPC D12/86, 90-92, 164; D21/433, 434,
D21/531-535; 296/181.1-181.5, 183.1
CPC B62D 25/00; B62D 25/06; B62D 33/00;
B62D 35/00

See application file for complete search history.

DESCRIPTION

FIG. 1 is a front perspective view of a car body showing my new design;

FIG. 2 is a rear perspective view thereof;

FIG. 3 is a front view thereof;

FIG. 4 is a rear view thereof;

FIG. 5 is a right view thereof;

FIG. 6 is a left view thereof; and,

FIG. 7 is a top view thereof.

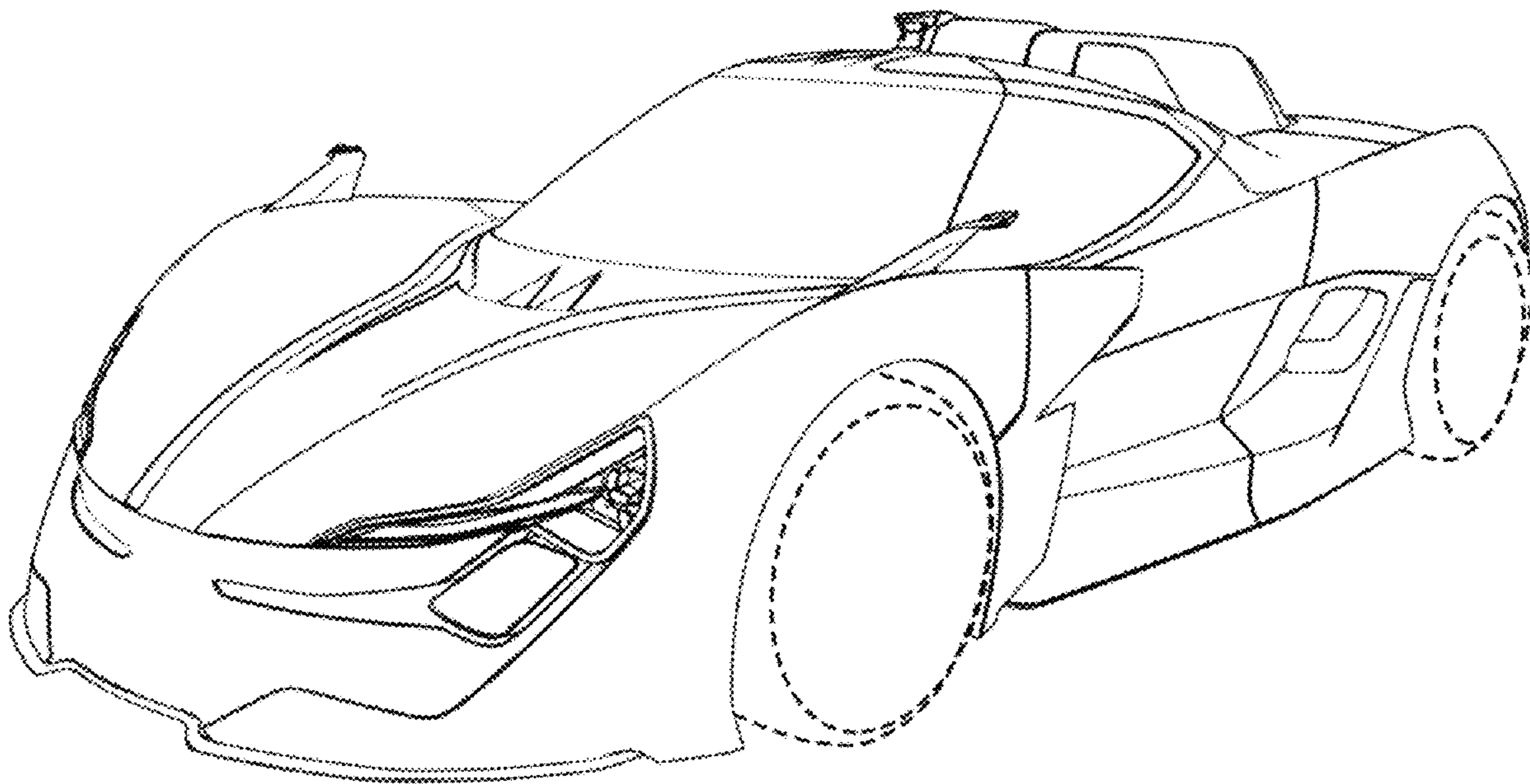
The elements shown in broken lines in the Figures are for environmental purposes only and form no part of the claimed design.

(56) **References Cited**

U.S. PATENT DOCUMENTS

D826,089 S * 8/2018 Lesnik D12/88

1 Claim, 3 Drawing Sheets



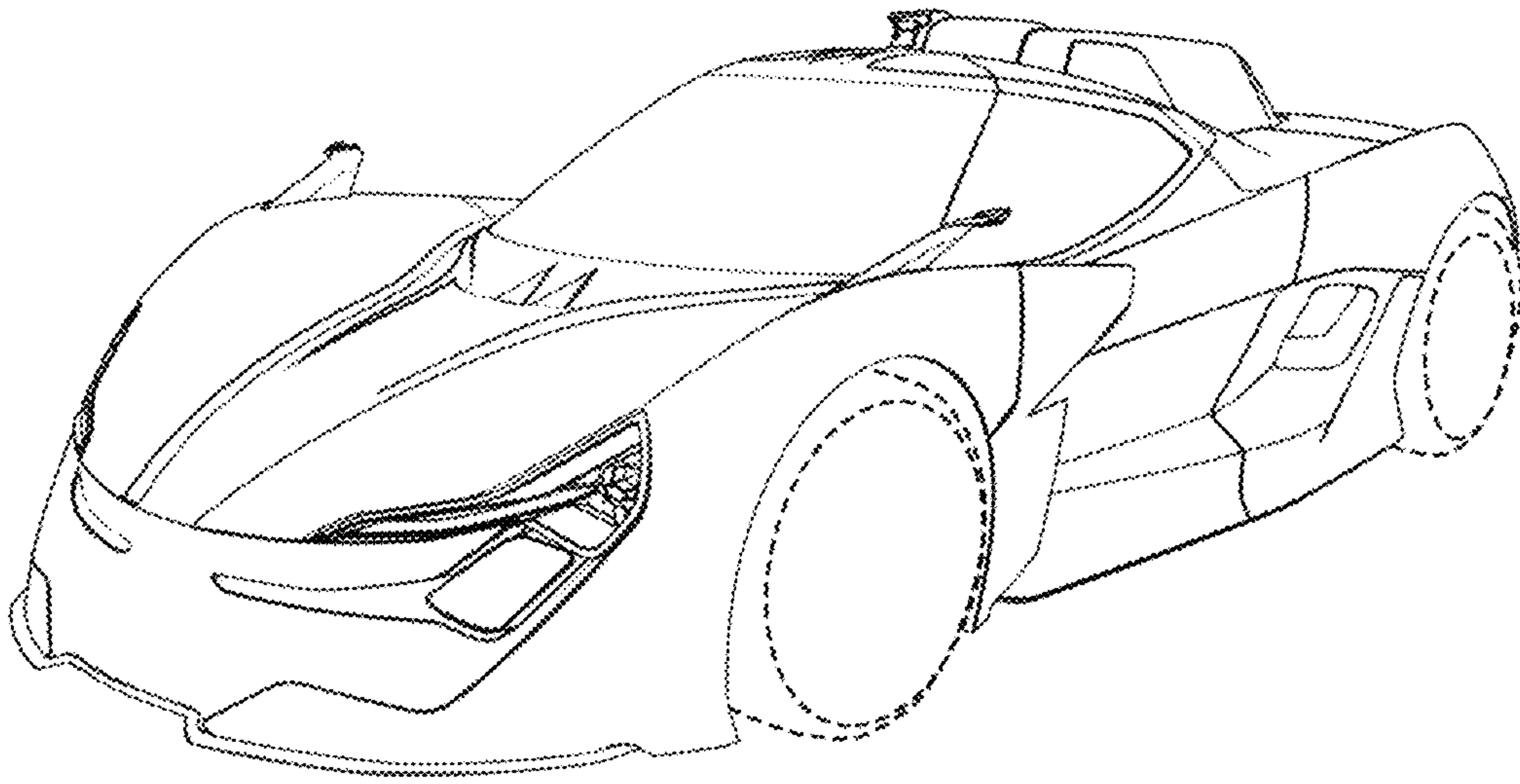


FIG. 1

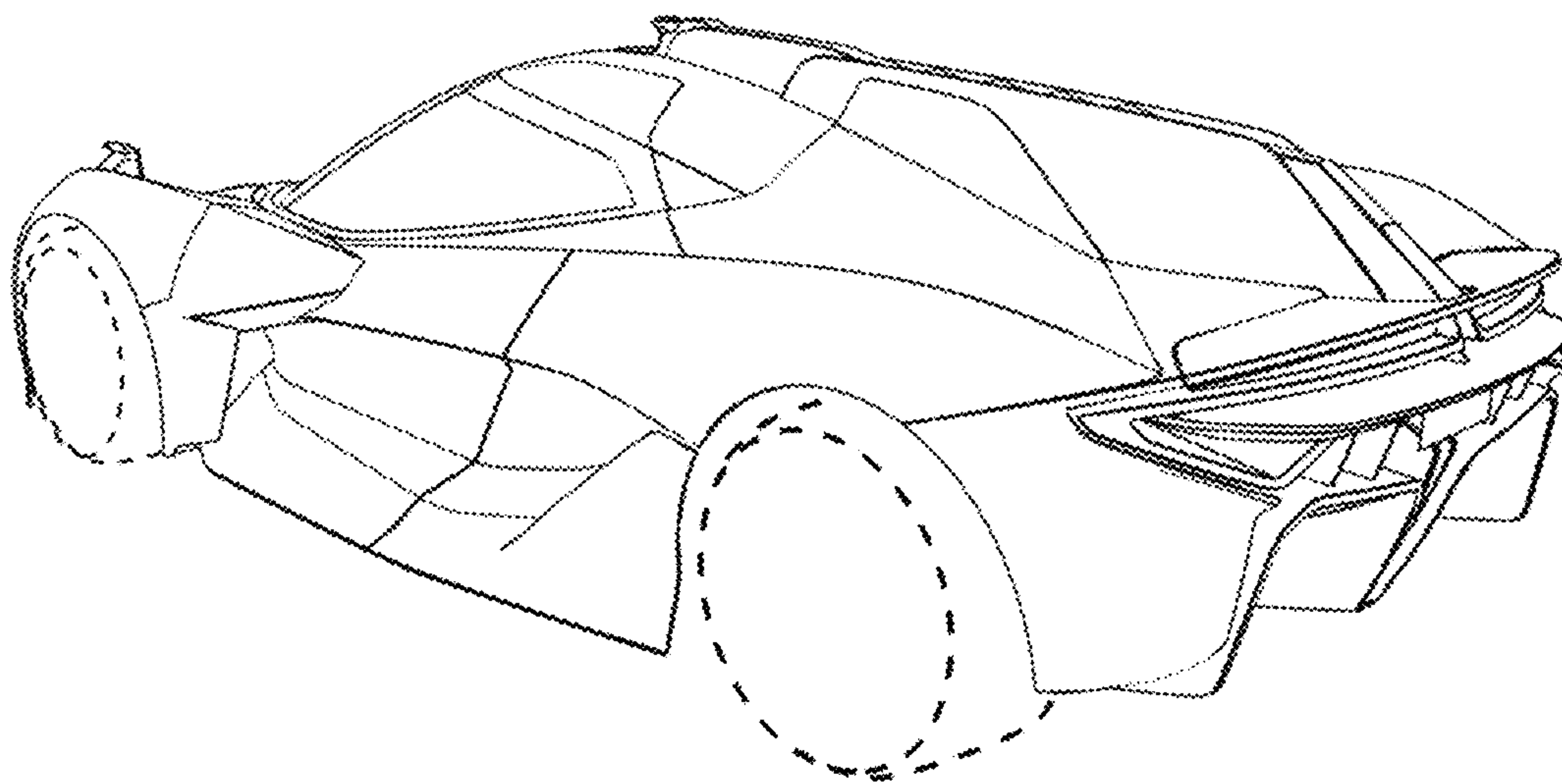


FIG. 2

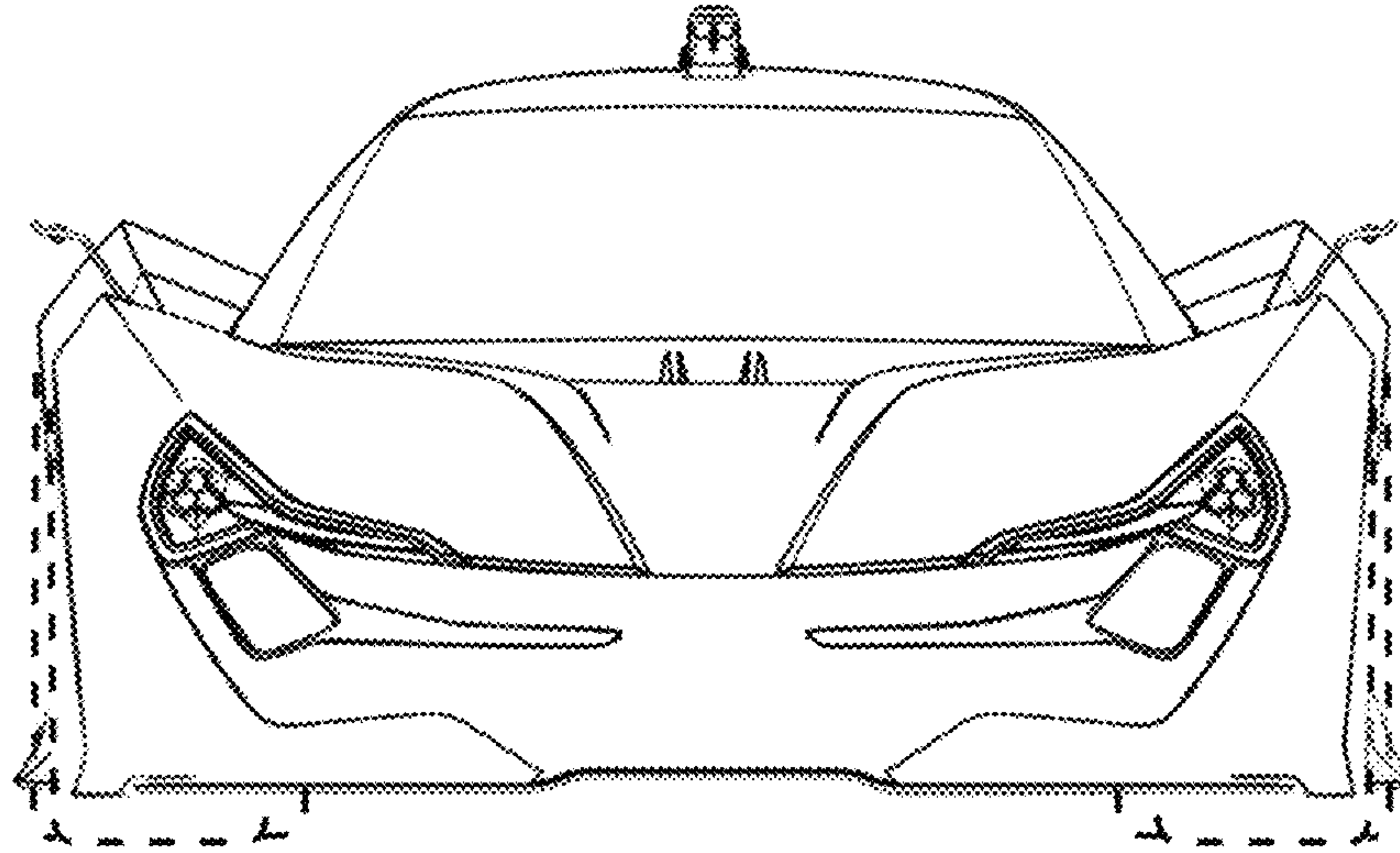


FIG. 3

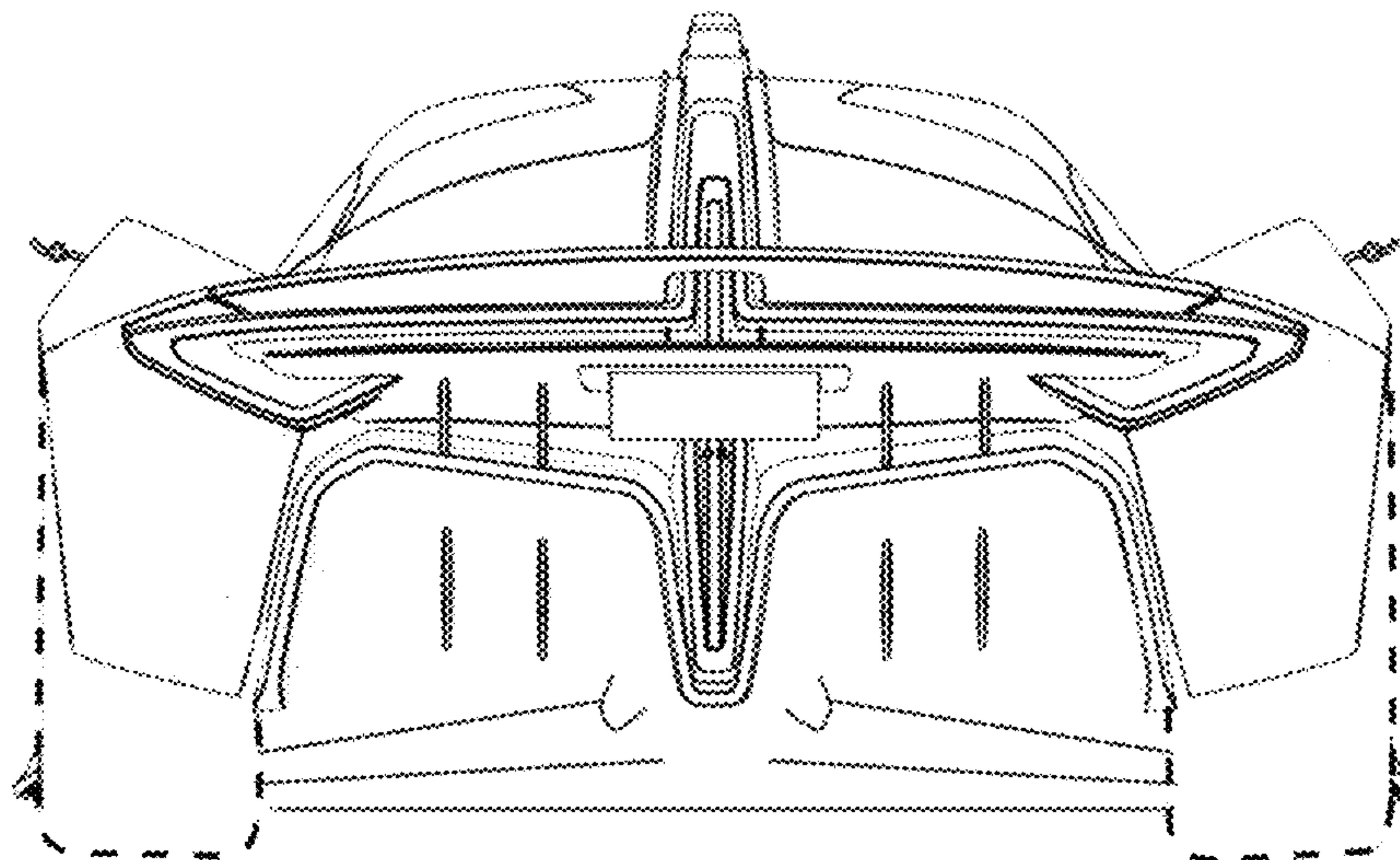


FIG. 4

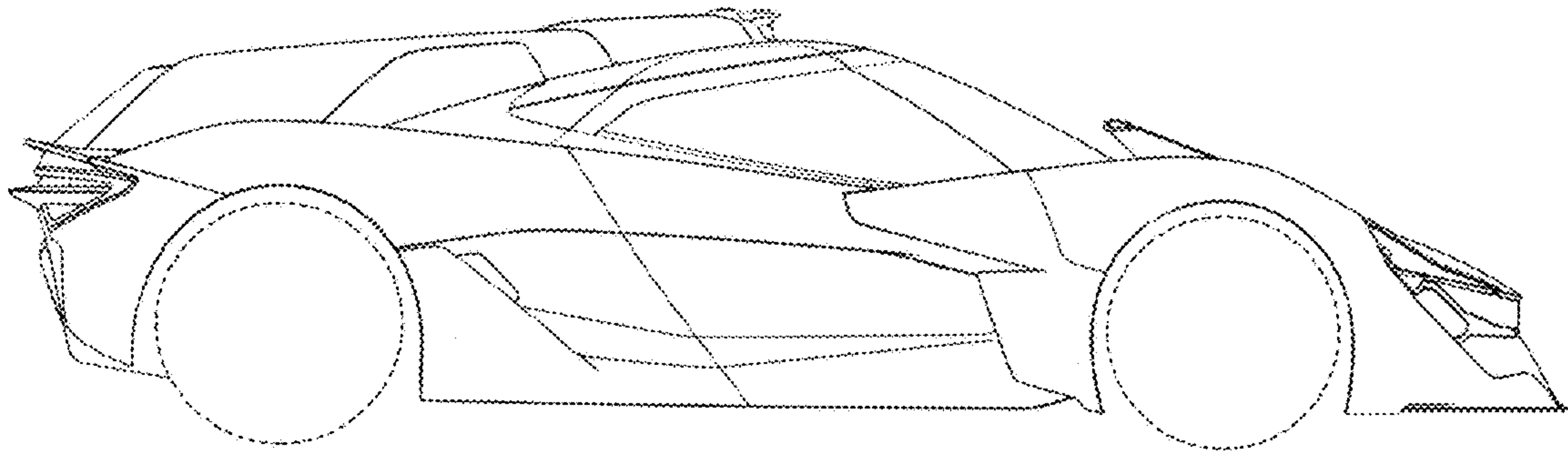


FIG. 5

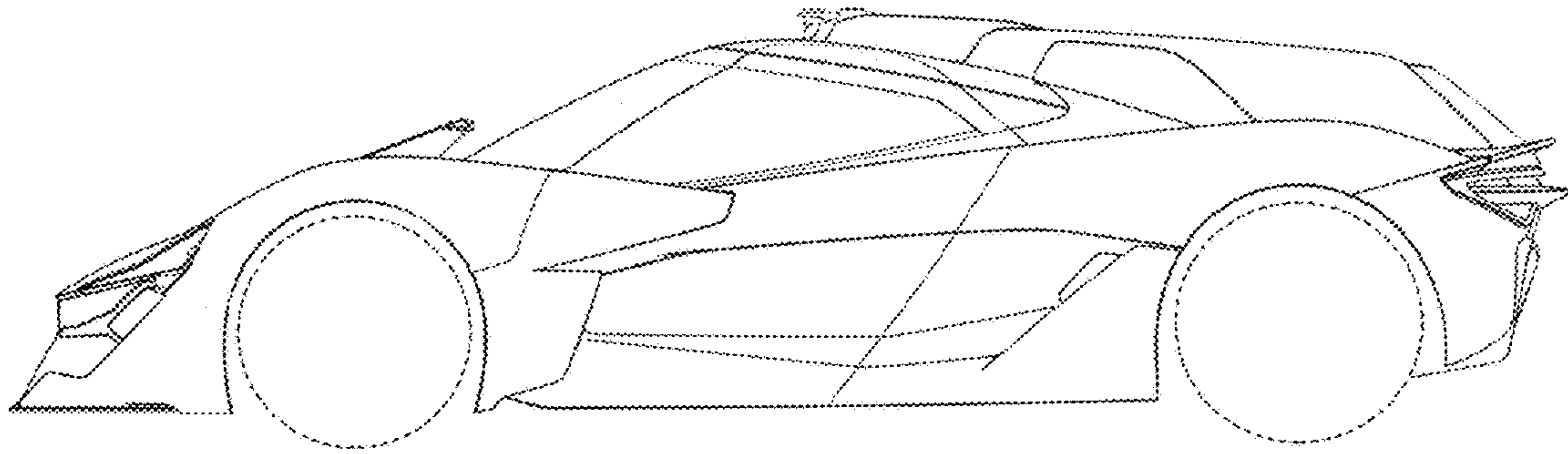


FIG. 6

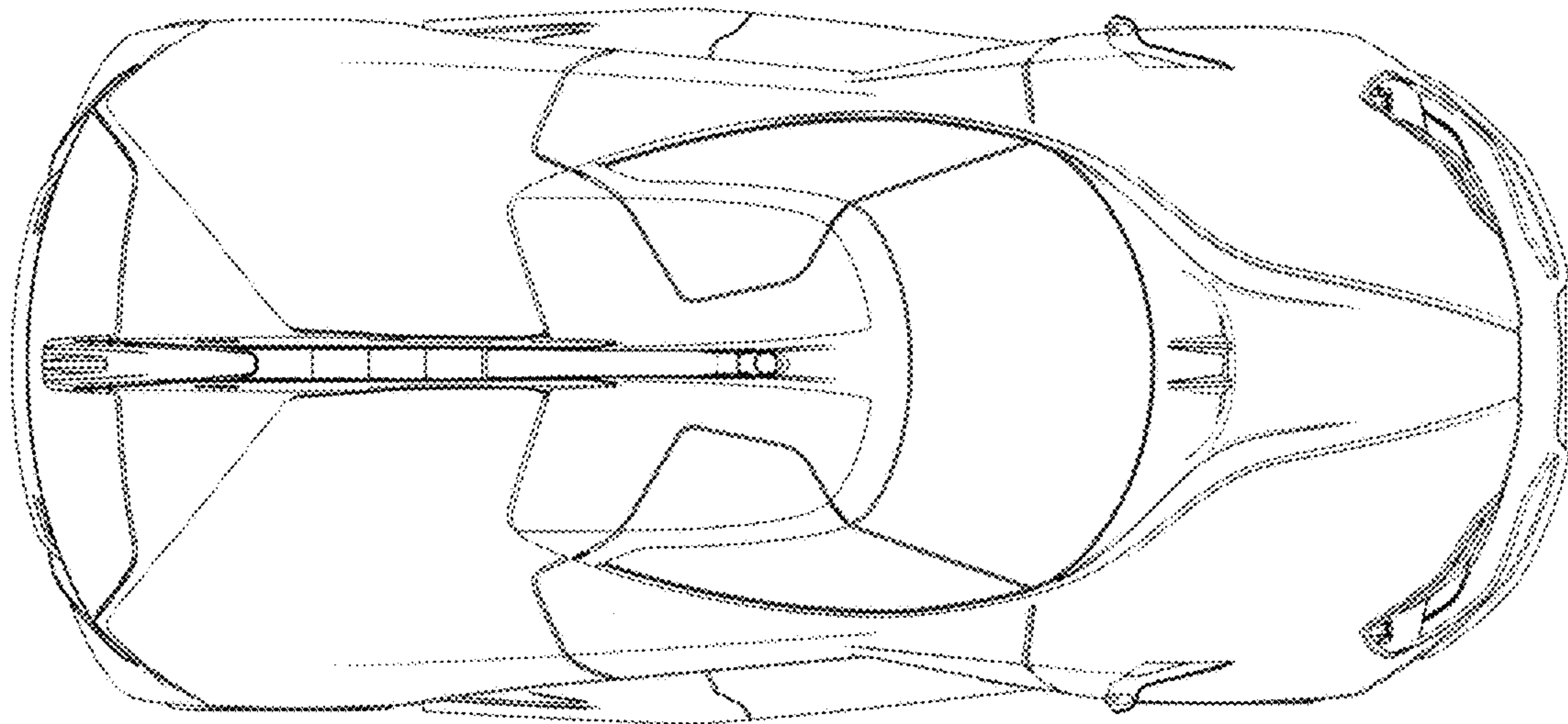


FIG. 7