



US00D941176S

(12) **United States Design Patent**
Zhao

(10) **Patent No.:** **US D941,176 S**
(45) **Date of Patent:** **** Jan. 18, 2022**

- (54) **EARRING**
- (71) Applicant: **Yiwu Mingdu International Trade Co., Ltd, Zhejiang (CN)**
- (72) Inventor: **Xian Zhao, Zhejiang (CN)**
- (73) Assignee: **Yiwu Mingdu International Trade Co., Ltd, Zhejiang (CN)**
- (**) Term: **15 Years**
- (21) Appl. No.: **29/766,363**
- (22) Filed: **Jan. 14, 2021**
- (51) **LOC (13) Cl.** **11-01**
- (52) **U.S. Cl.**
USPC **D11/42**
- (58) **Field of Classification Search**
USPC D11/40-49, 1, 3, 4, 716, 79-86, 91, 92
CPC A44C 7/00; A44C 7/002; A44C 7/003;
A44C 7/004; A44C 7/005; A44C 7/006;
A44C 7/007; A44C 7/008; A44C 7/009;
A44C 25/00; A44C 25/001; A44C
25/002; A44C 25/007; A44C 1/00; A44C
5/00; A44C 5/0084; A44C 15/005; A44C
17/02; A44C 17/0208; A44C 17/0216;
A44C 17/0225; A44C 17/0233; A44C
17/0241; A44C 17/025; A44C 17/0258;
A44C 17/0266; A44C 17/0275; A44C
17/0283; A44C 17/0291
See application file for complete search history.

(56) **References Cited**

U.S. PATENT DOCUMENTS

- D378,285 S * 3/1997 Fox D11/34
- 5,829,273 A * 11/1998 Weingast A44C 7/004
63/14.5
- D515,450 S * 2/2006 Schiesl-Griesinger D11/4
- D792,800 S * 7/2017 Kwon D11/34

- D808,843 S * 1/2018 Kwon D11/4
- D871,247 S * 12/2019 Voller D11/3
- D878,958 S 3/2020 Tashjian
- D893,340 S 8/2020 Zheng
- 10,736,386 B1 * 8/2020 Hutchins A44C 5/0053
- D896,120 S * 9/2020 Messika D11/40
- D911,206 S * 2/2021 Grace D11/3
- D911,207 S * 2/2021 Grace D11/3
- D913,140 S * 3/2021 Grace D11/3
- D934,104 S * 10/2021 Messika D11/34
- 2005/0199007 A1 * 9/2005 LaCroix A44C 17/02
63/28
- 2009/0071192 A1 * 3/2009 Bauman A44C 17/046
63/15
- 2013/0276478 A1 * 10/2013 Huynh A44C 5/00
63/12
- 2017/0049195 A1 * 2/2017 Dholakiya A44C 17/02

* cited by examiner

Primary Examiner — Melanie Pellegrini

(74) *Attorney, Agent, or Firm* — ScienBiziP, P.C.

(57) **CLAIM**

The ornamental design for an earring, as shown and described.

DESCRIPTION

FIG. 1 is a front, right, and top perspective view of an earring, showing my design.
 FIG. 2 is a rear, left, and bottom perspective view thereof.
 FIG. 3 is a front elevation view thereof.
 FIG. 4 is a rear elevation view thereof.
 FIG. 5 is a left side elevation view thereof.
 FIG. 6 is a right side elevation view thereof.
 FIG. 7 is a top plan view thereof.
 FIG. 8 is a bottom plan view thereof; and,
 FIG. 9 is a partial enlarged view of a decorative element labeled 9 in FIG. 1.
 The broken lines shown in the drawings represent boundary lines and form no part of the claimed design.

1 Claim, 9 Drawing Sheets

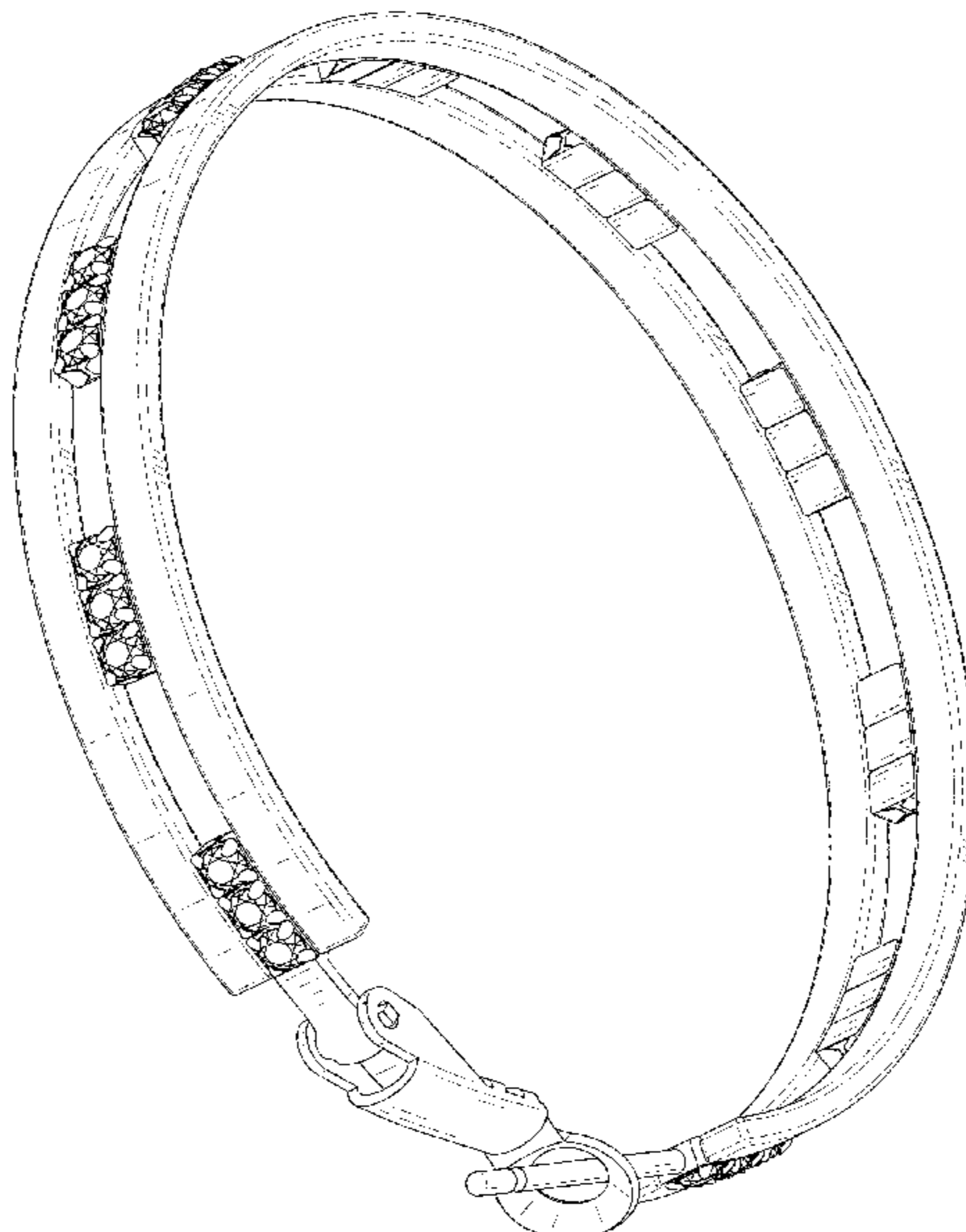




FIG. 1



FIG. 2

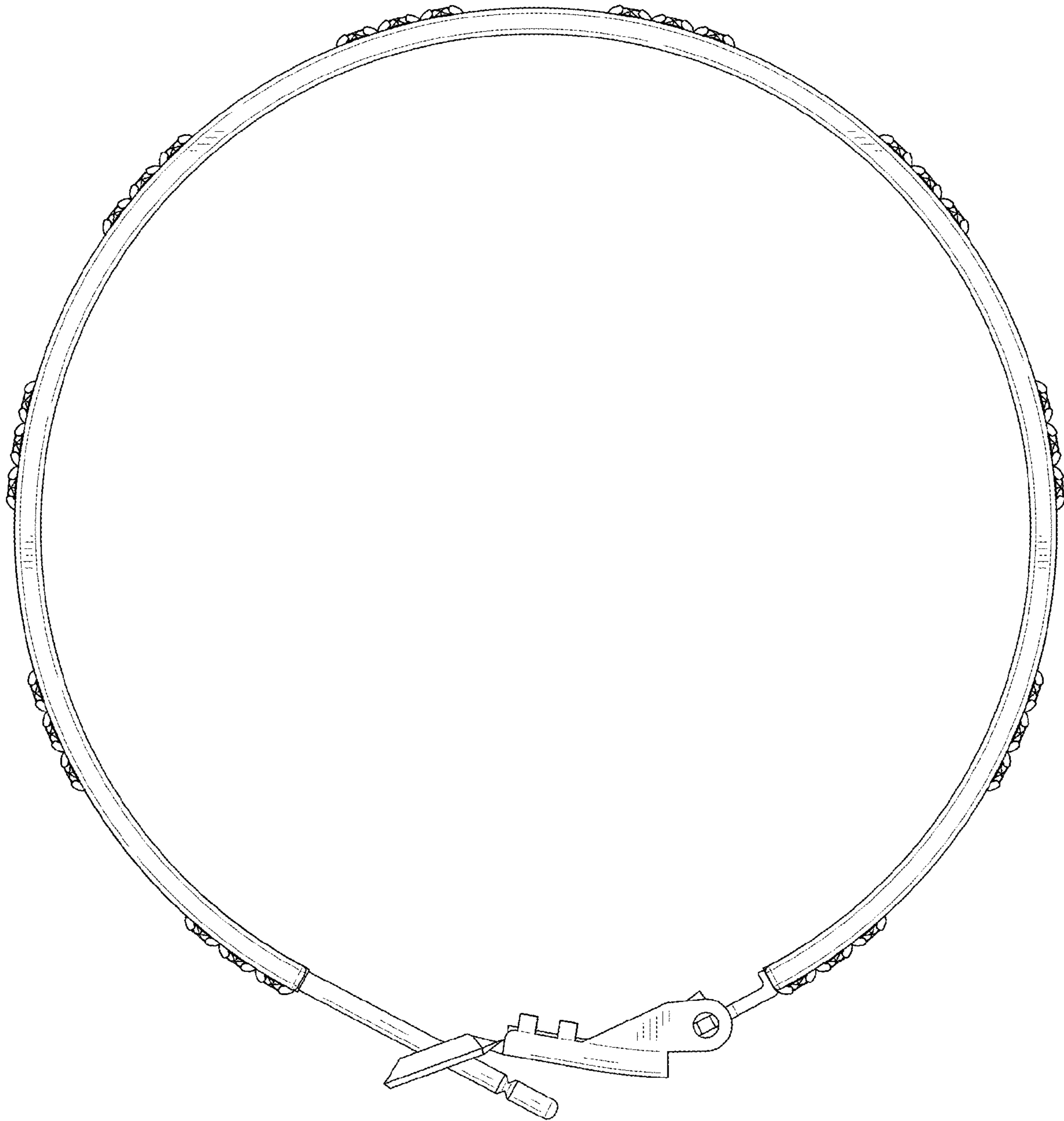


FIG. 3

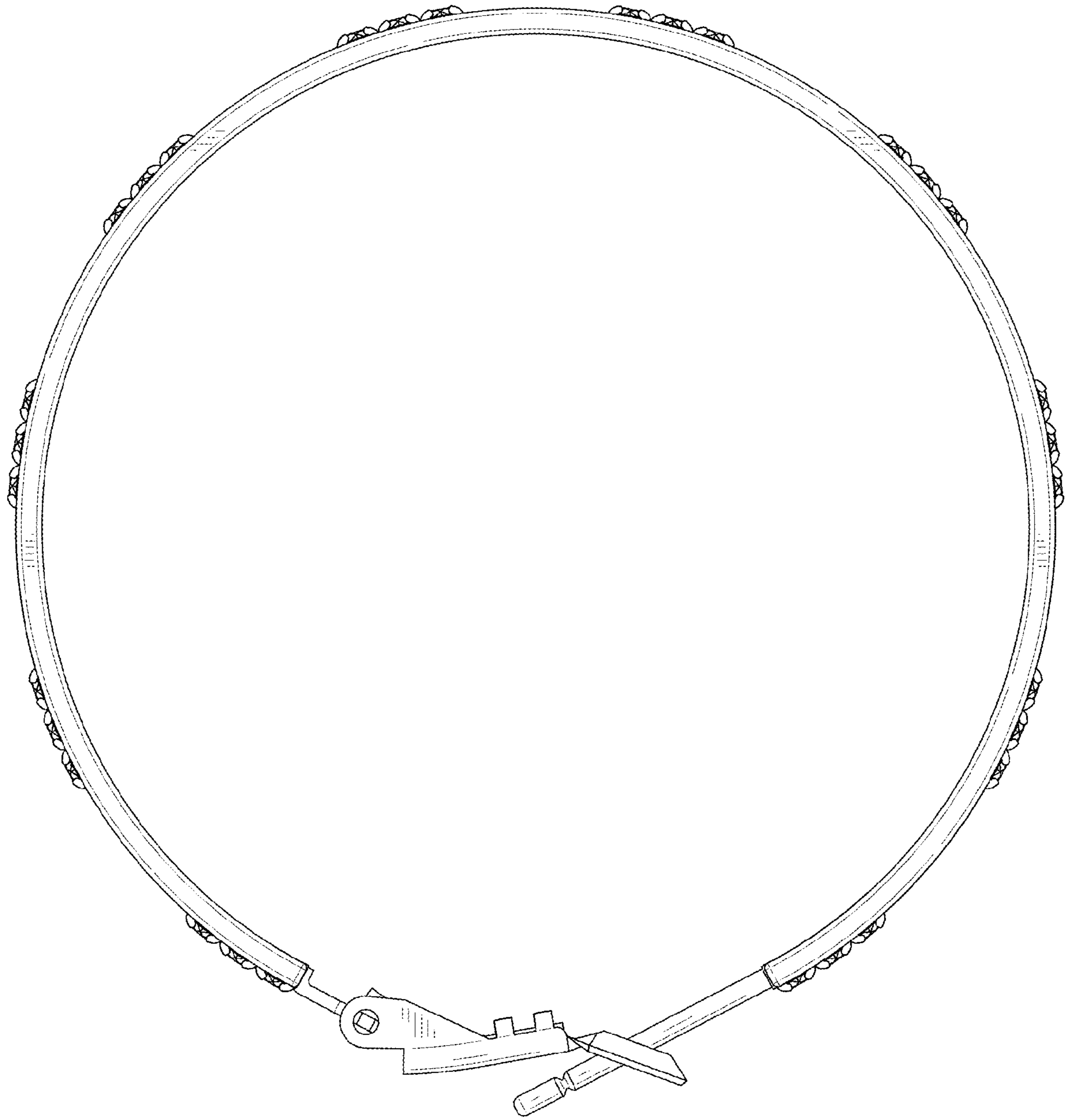


FIG. 4

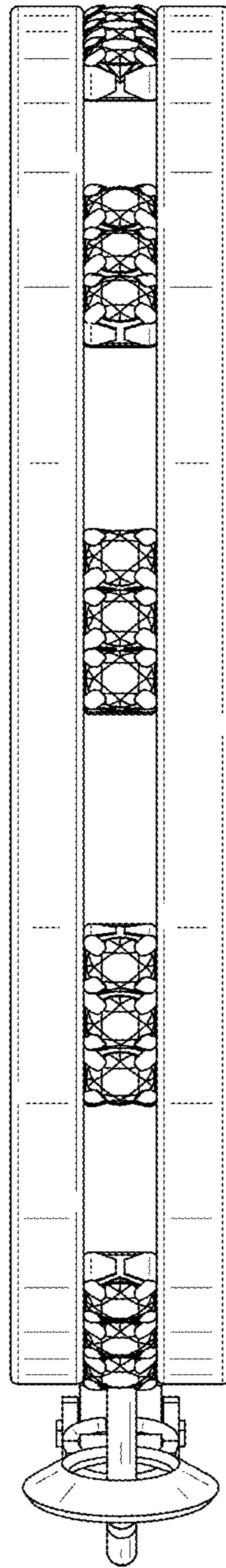


FIG. 5

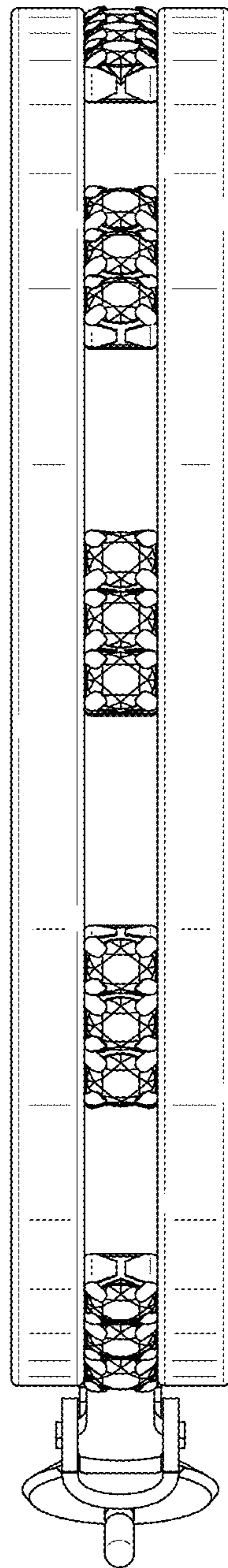


FIG. 6

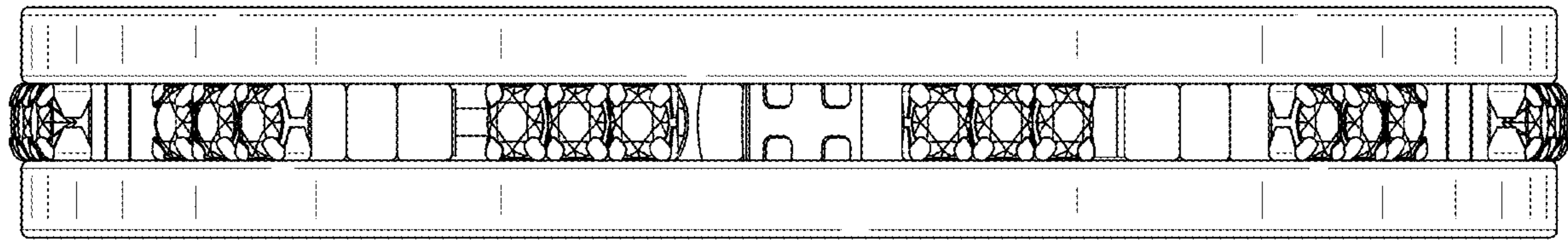


FIG. 7

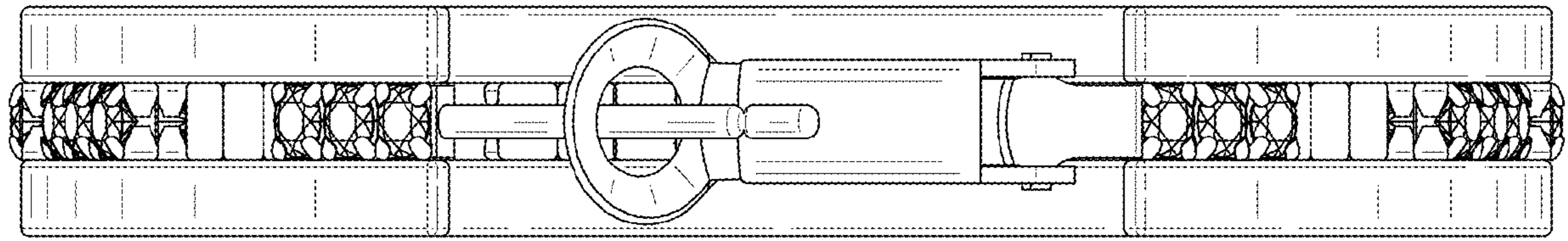


FIG. 8

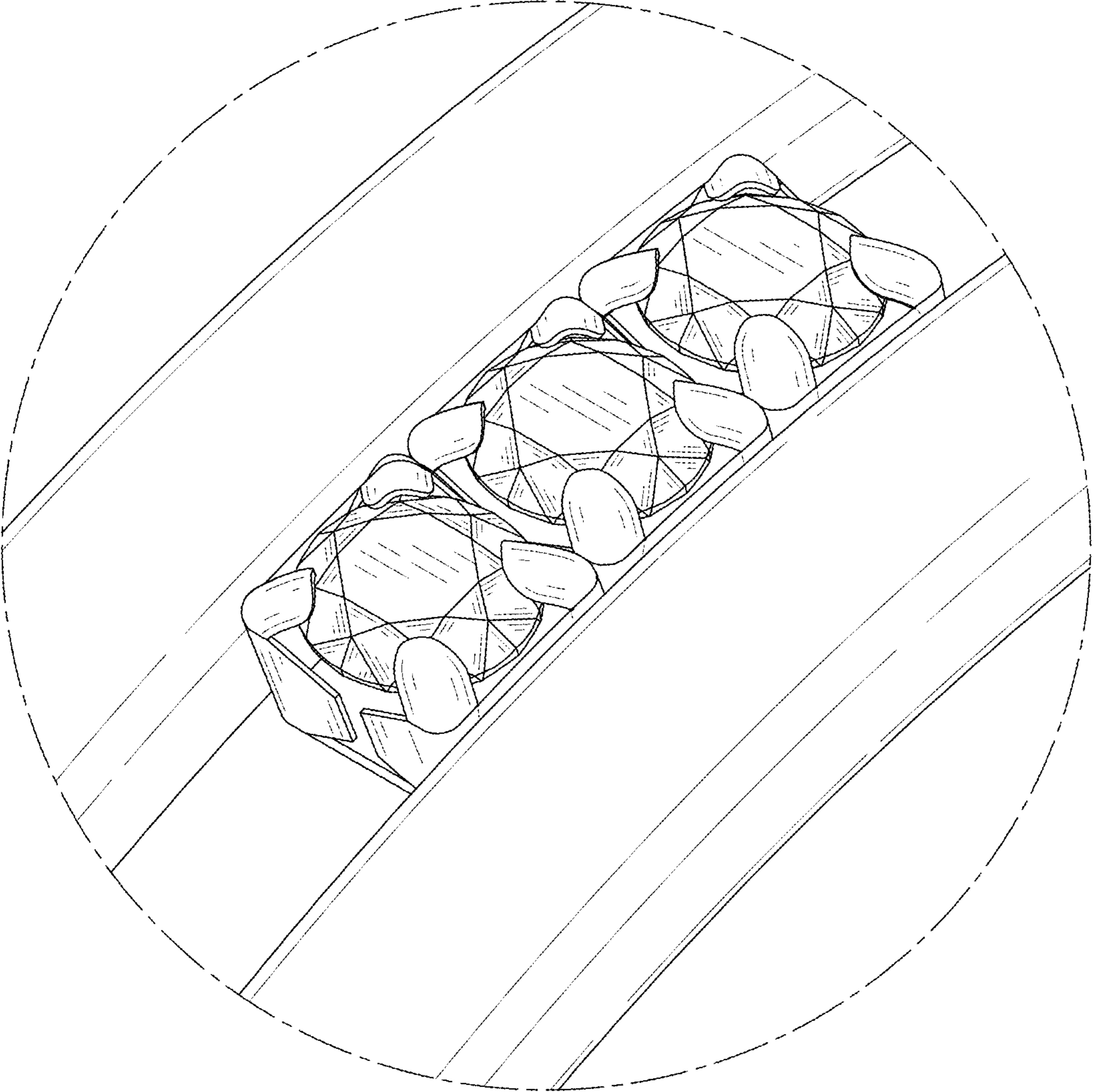


FIG. 9