



US00D941175S

(12) **United States Design Patent**
Faubion et al.

(10) **Patent No.:** **US D941,175 S**
(45) **Date of Patent:** **** Jan. 18, 2022**

(54) **SMOKE DETECTOR**

(71) Applicants: **Steven Benjamin Faubion**, Ruston,
WA (US); **Peggy Ann Faubion**, Ruston,
WA (US)

(72) Inventors: **Steven Benjamin Faubion**, Ruston,
WA (US); **Peggy Ann Faubion**, Ruston,
WA (US)

(**) Term: **15 Years**

(21) Appl. No.: **29/761,960**

(22) Filed: **Dec. 14, 2020**

Related U.S. Application Data

(63) Continuation of application No. 29/729,115, filed on
Mar. 24, 2020, now Pat. No. Des. 904,914, which is
a continuation of application No. 15/096,071, filed on
Apr. 11, 2016, now Pat. No. 10,600,299.

(51) **LOC (13) Cl.** **10-05**

(52) **U.S. Cl.**
USPC **D10/106.5**

(58) **Field of Classification Search**
USPC D10/106.5, 106.2
See application file for complete search history.

(56) **References Cited**

U.S. PATENT DOCUMENTS

D367,623 S * 3/1996 DeWitt D10/106.5
D472,175 S * 3/2003 Welsh D10/106.5

D633,231 S * 2/2011 Morrison D26/24
D756,828 S * 5/2016 Wettre D10/106.5
D786,725 S * 5/2017 McCormick D10/106.5
D820,238 S * 6/2018 Boshernitzan D14/218
D895,606 S * 9/2020 Matoba D14/314
D904,914 S * 12/2020 Faubion G08B 29/181
D10/106.5
D907,516 S * 1/2021 Siminoff D10/106.5

* cited by examiner

Primary Examiner — George D. Kirschbaum

(74) *Attorney, Agent, or Firm* — Christopher Mayle; Bold
IP, PLLC

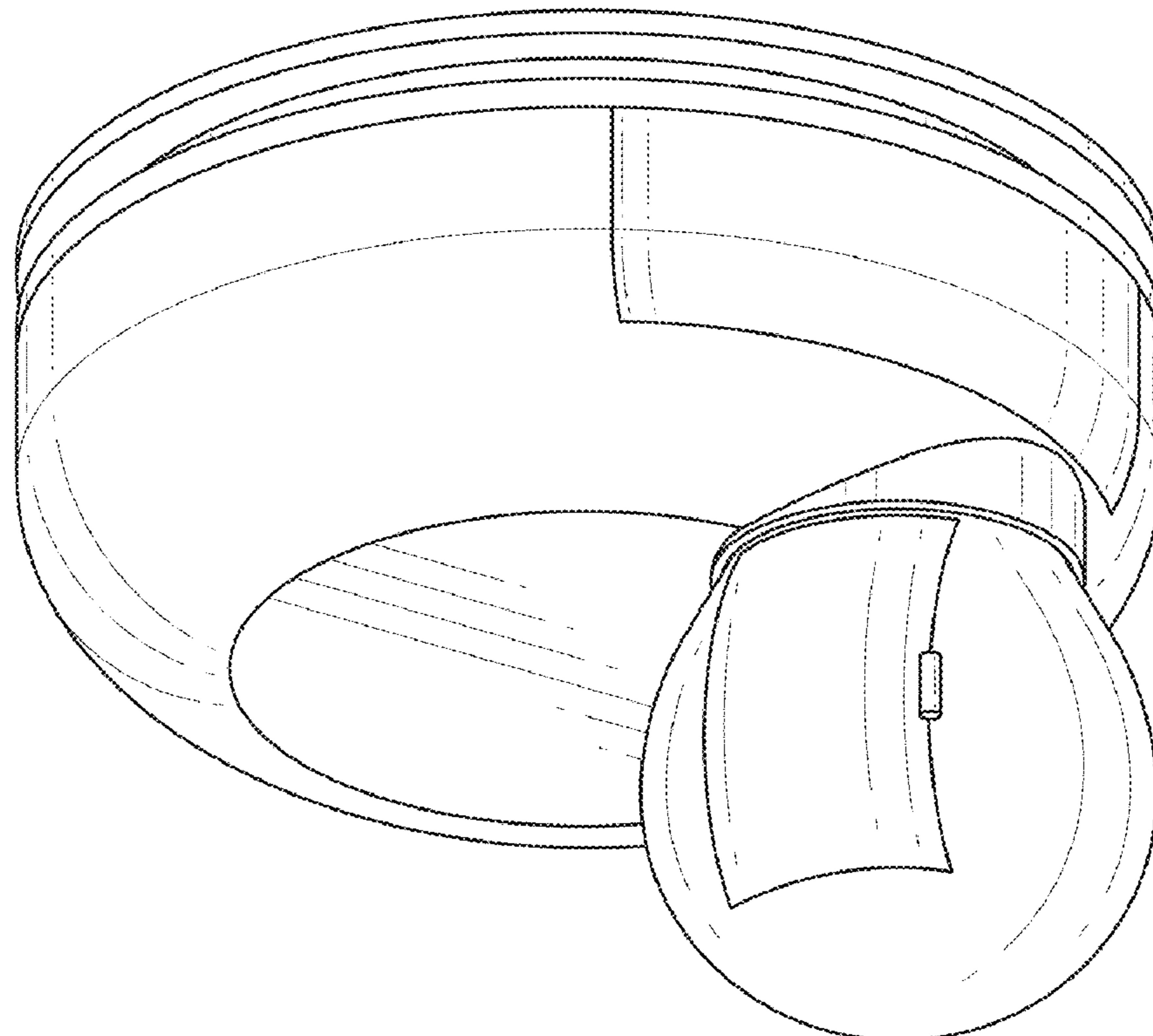
(57) **CLAIM**

The ornamental design for a smoke detector, as shown.

DESCRIPTION

FIG. 1 is a bottom perspective view of a smoke detector in
accordance with the present invention;
FIG. 2 is a front view thereof;
FIG. 3 is a back view thereof;
FIG. 4 is a left view thereof;
FIG. 5 is a right view thereof;
FIG. 6 is a top view thereof; and,
FIG. 7 is a bottom view thereof.

1 Claim, 7 Drawing Sheets



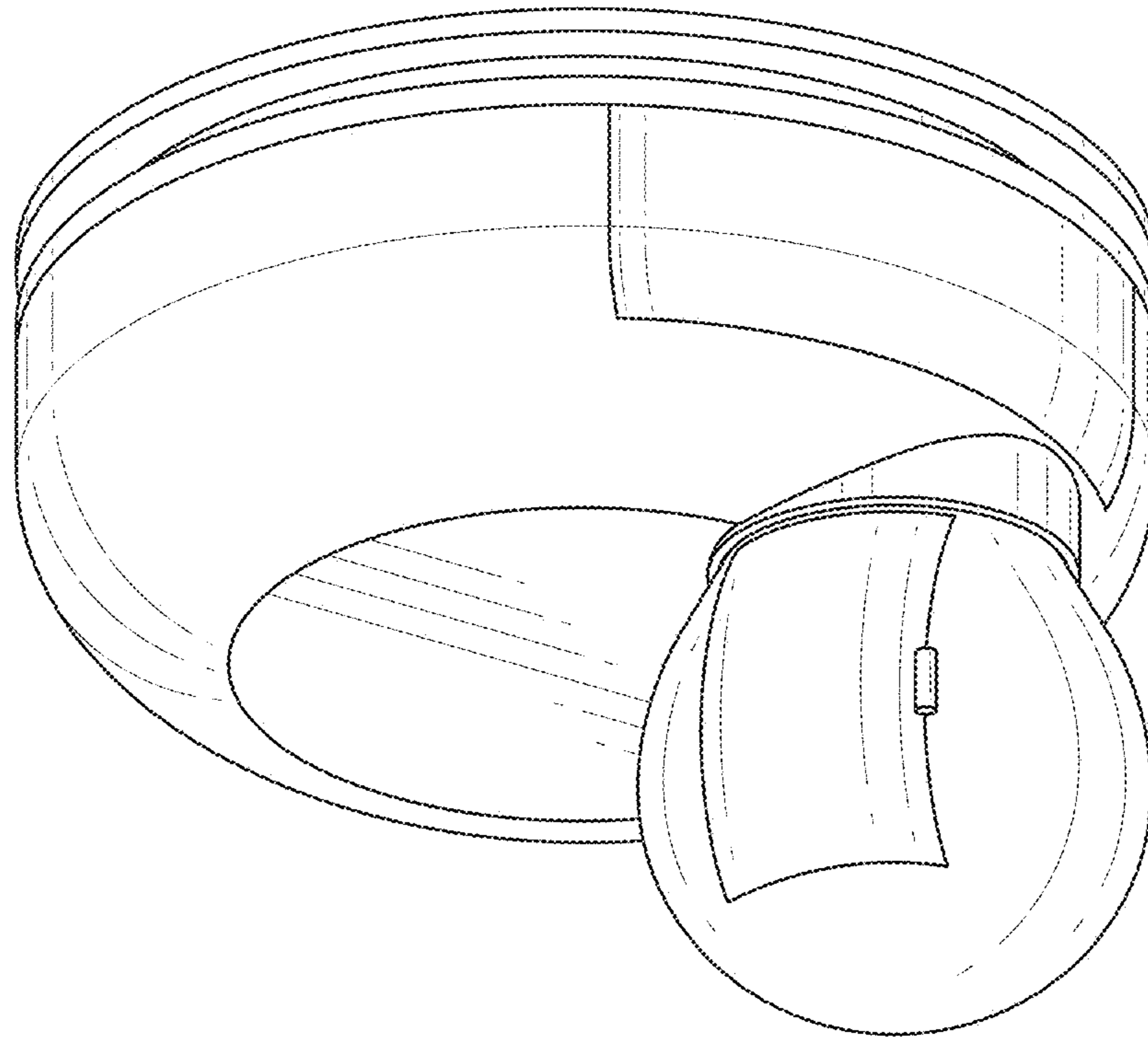


FIG. 1

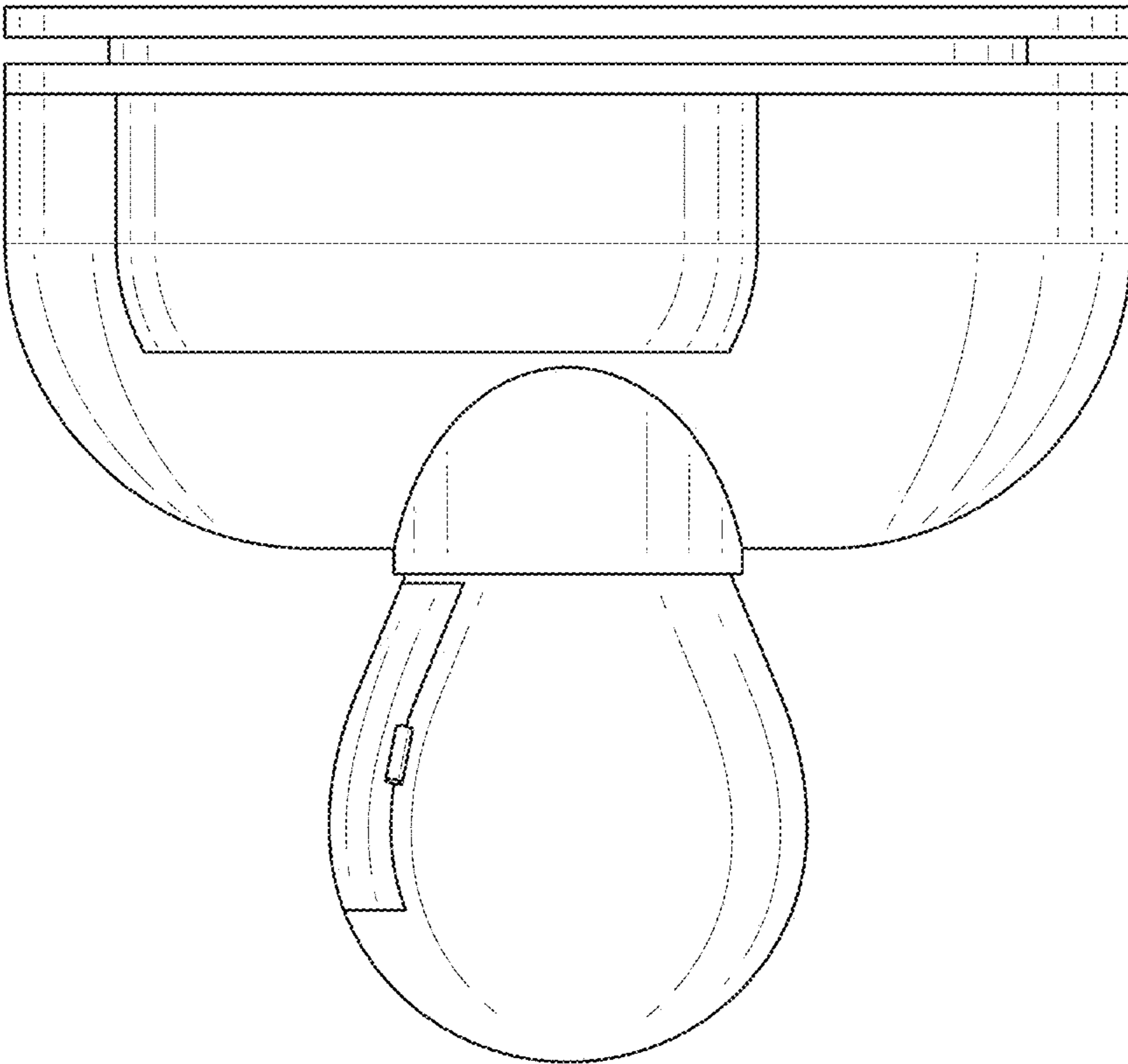


FIG. 2

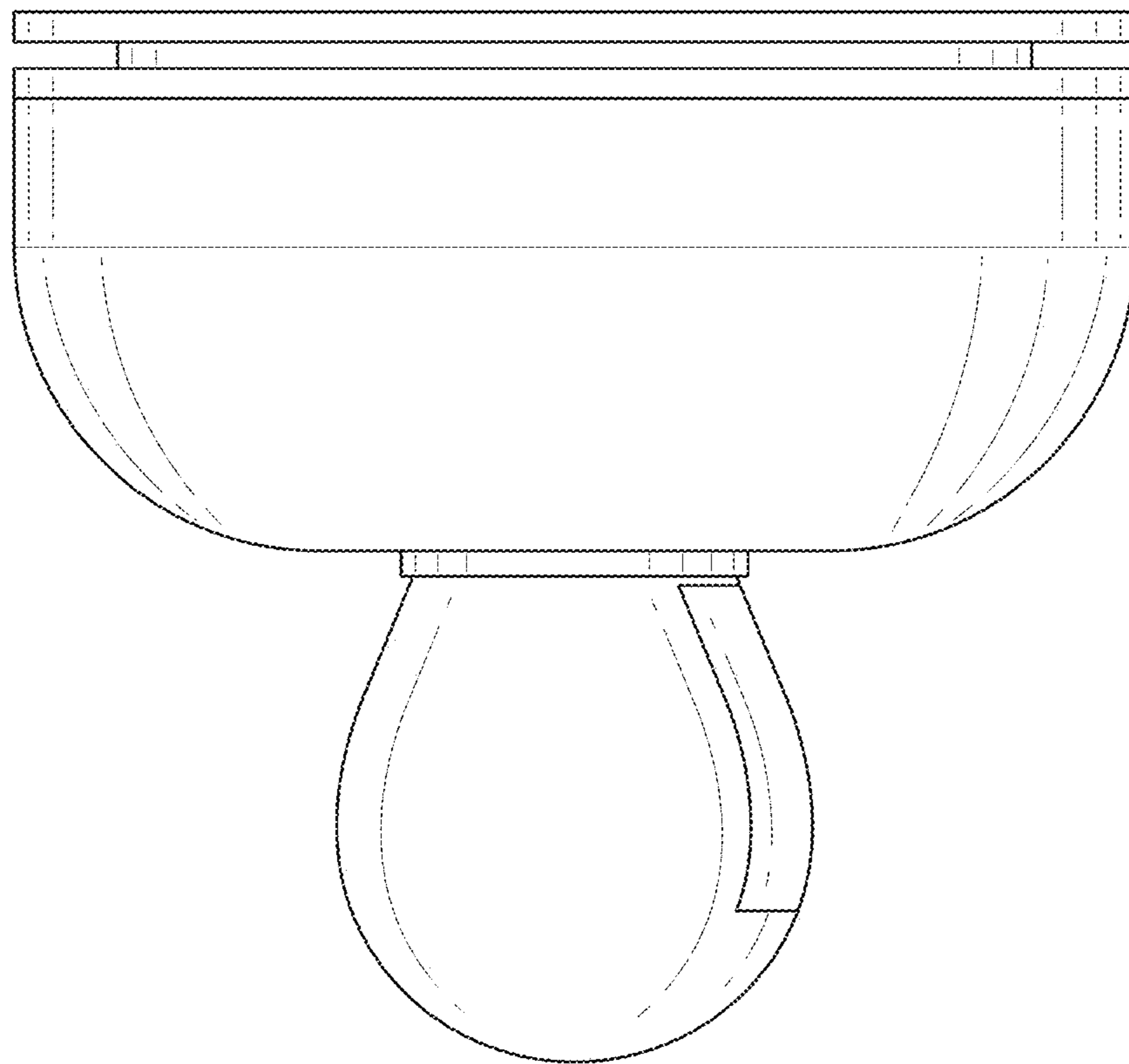


FIG. 3

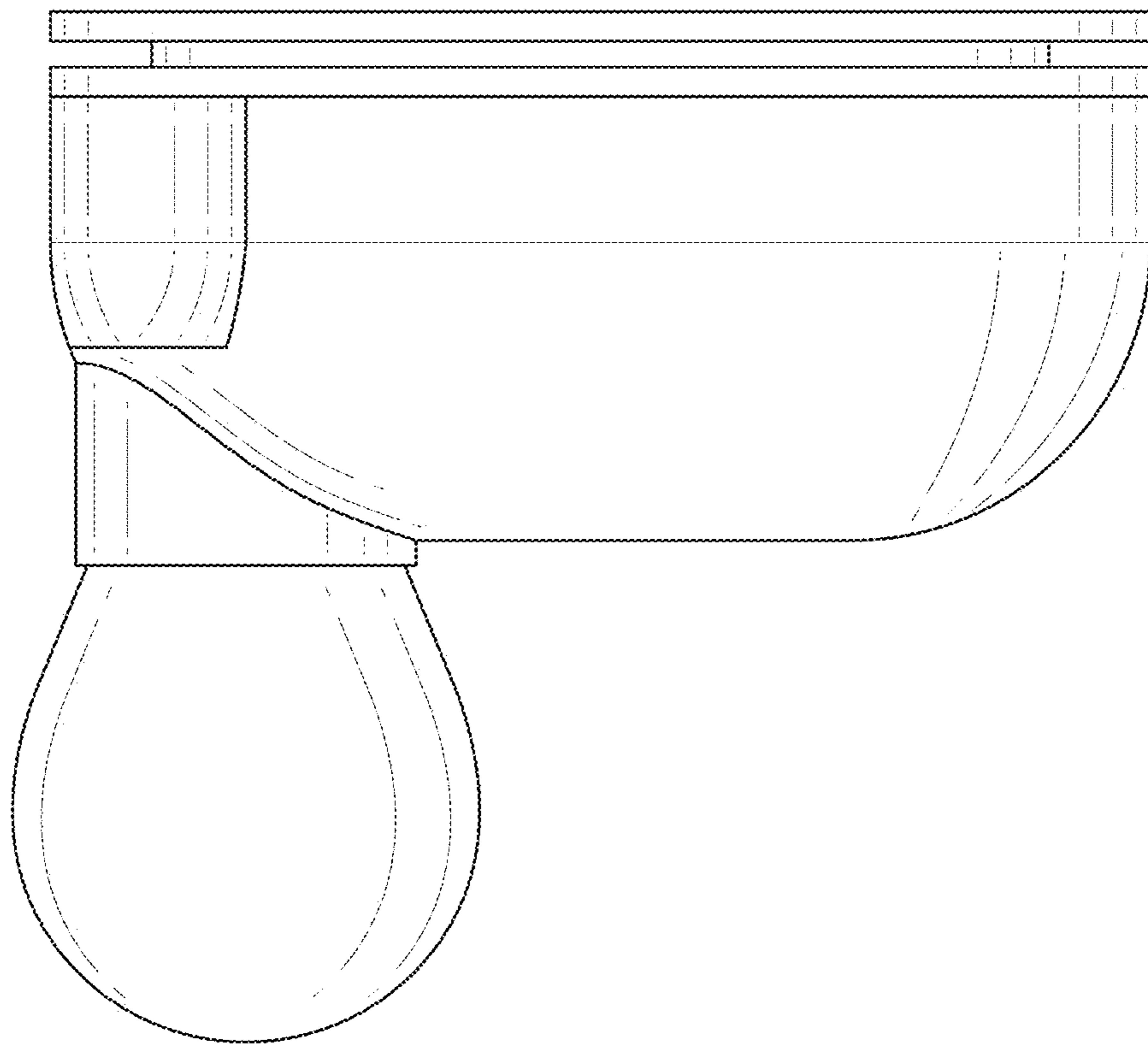


FIG. 4

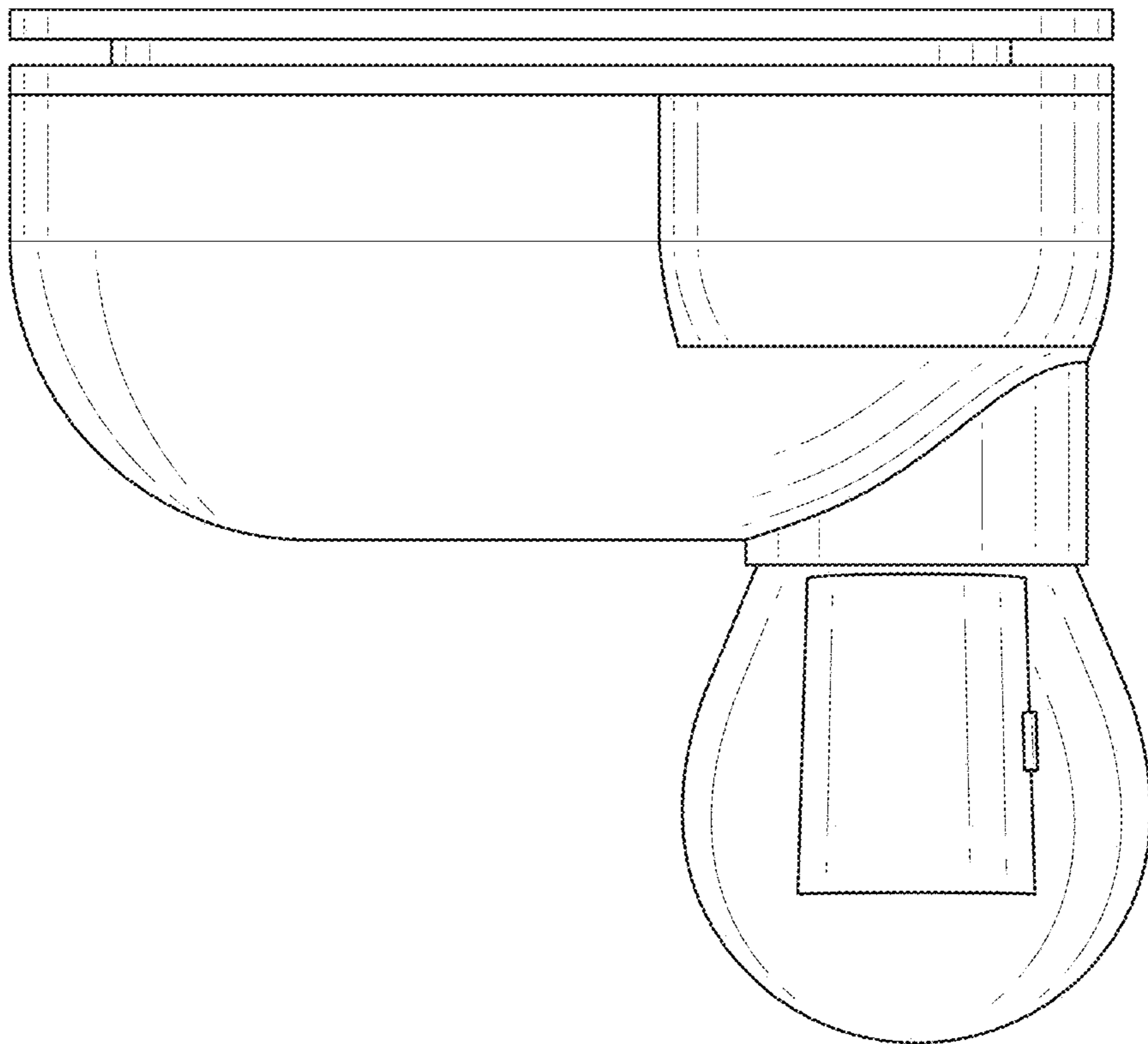


FIG. 5

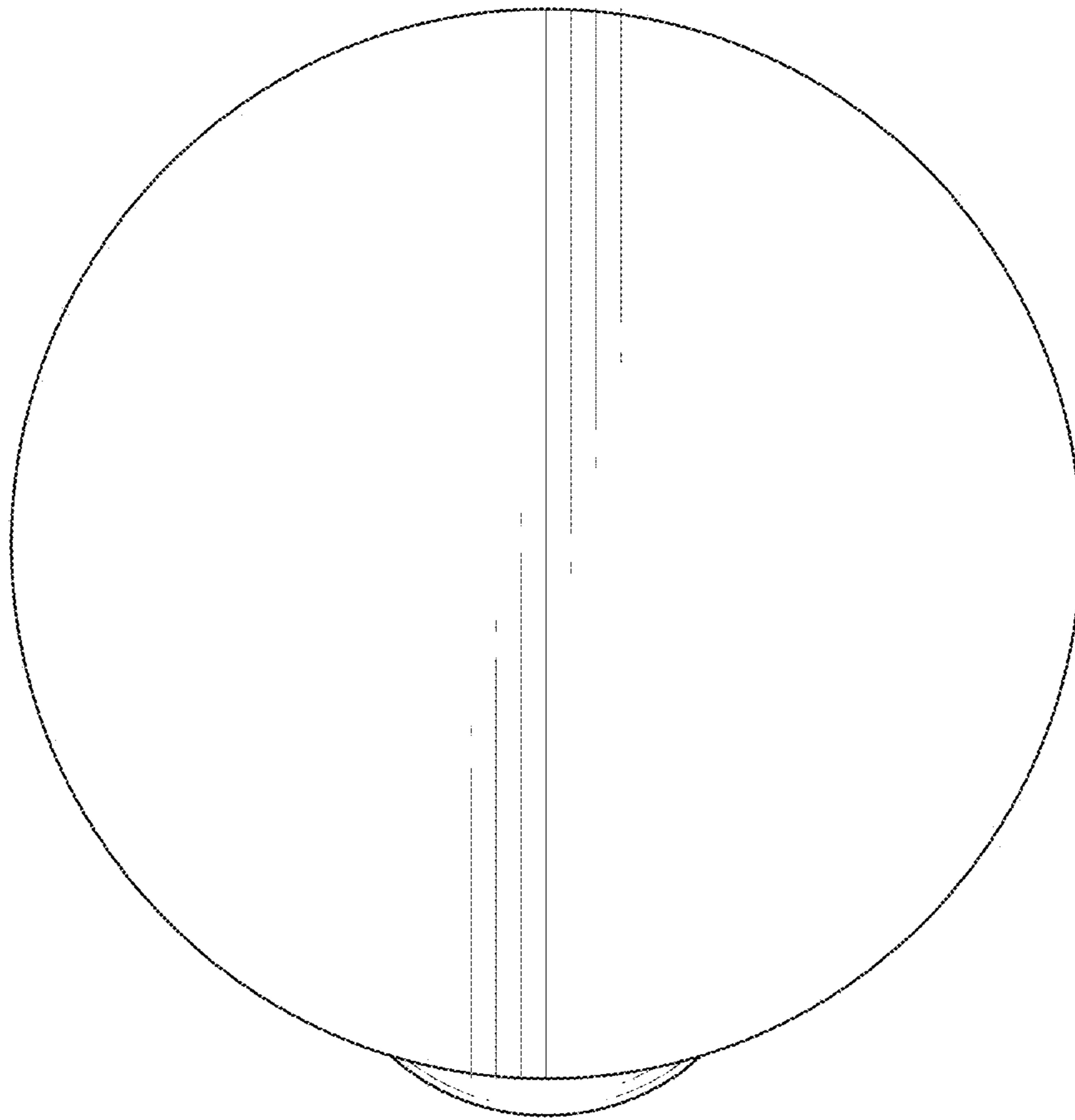


FIG. 6

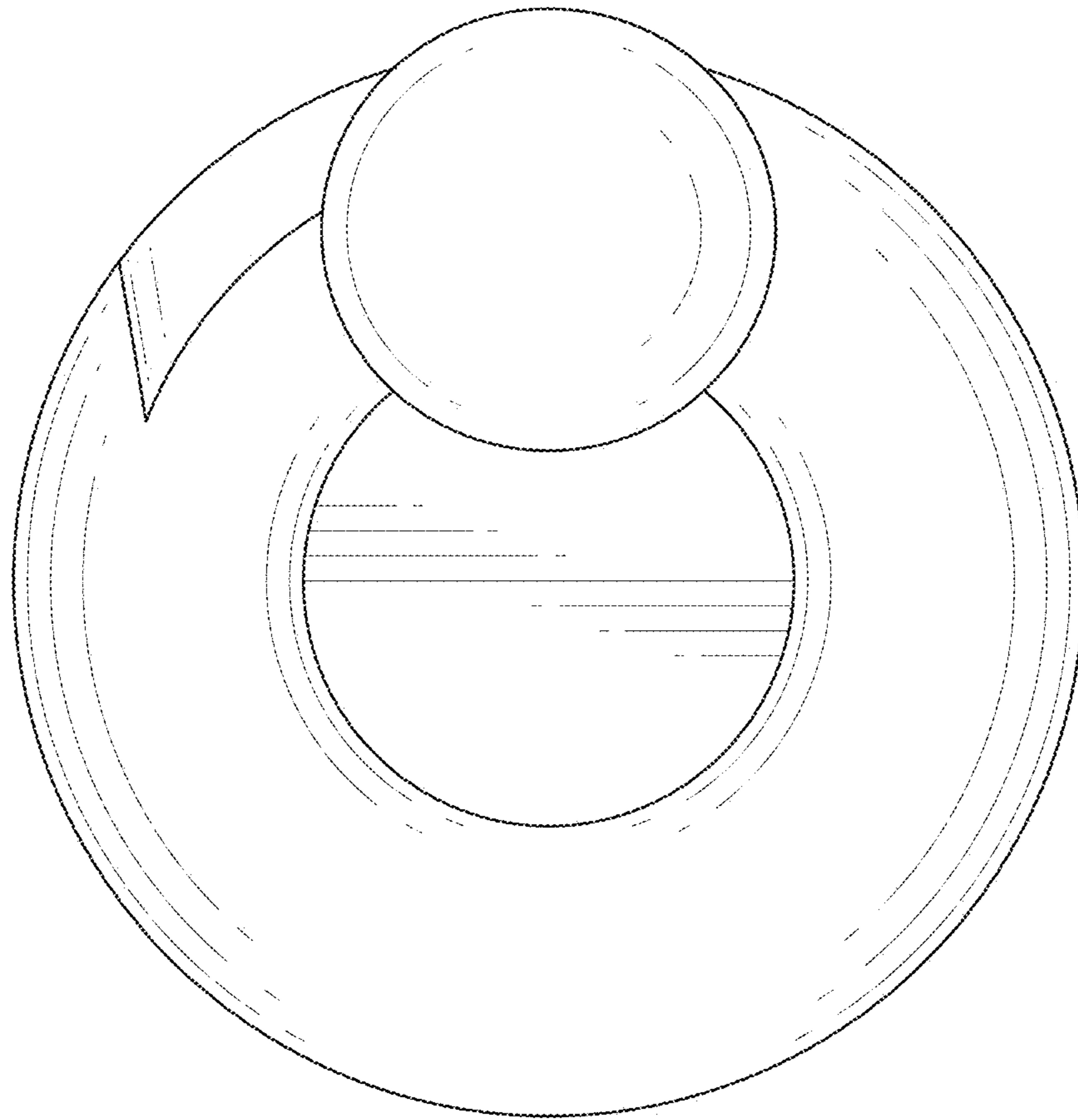


FIG. 7