

US00D941171S

(12) **United States Design Patent**
Baldree

(10) **Patent No.:** **US D941,171 S**

(45) **Date of Patent:** **** Jan. 18, 2022**

(54) **MOBILE PHONE PERSONAL SECURITY ACCESSORY**

(71) Applicant: **Katana Safety, Inc.**, Greenville, SC (US)

(72) Inventor: **Todd W. Baldree**, Greer, SC (US)

(73) Assignee: **Katana Safety, Inc.**, Greenville, SC (US)

(**) Term: **15 Years**

(21) Appl. No.: **29/692,014**

(22) Filed: **May 21, 2019**

Related U.S. Application Data

(63) Continuation of application No. 29/618,024, filed on Sep. 18, 2017, now Pat. No. Des. 853,400, which is a continuation of application No. 15/642,267, filed on Jul. 5, 2017, now Pat. No. 10,111,079.

(51) **LOC (13) Cl.** **10-05**

(52) **U.S. Cl.**
USPC **D10/104.1**

(58) **Field of Classification Search**
USPC D10/16.1, 106.1, 104.1; D3/215, 247; D14/251, 253
CPC G08B 21/02
See application file for complete search history.

(56) **References Cited**

U.S. PATENT DOCUMENTS

D283,806	S	*	5/1986	Harris	D10/106.1
4,908,607	A		3/1990	Yannotti et al.		
D311,349	S	*	10/1990	Walsh	D10/106.1
D333,996	S	*	3/1993	Matt	D10/106.1
D338,844	S	*	8/1993	Savio	D10/106.1
D355,620	S	*	2/1995	Drimer	D10/106.1
D355,863	S	*	2/1995	Collins	D10/106.1

D356,968	S	*	4/1995	Flick	D10/106.1
D382,396	S	*	8/1997	Campman	D3/215
5,742,233	A		4/1998	Hoffman et al.		
5,796,338	A		8/1998	Mardirossian		
6,044,257	A		3/2000	Boling et al.		
6,226,510	B1		5/2001	Boling et al.		
6,239,700	B1		5/2001	Hoffman et al.		
6,340,928	B1		1/2002	McCurdy		
6,535,127	B1		3/2003	Taylor		

(Continued)

FOREIGN PATENT DOCUMENTS

CN	203299980	U	11/2013
CN	103858154	A	6/2014

(Continued)

OTHER PUBLICATIONS

Chinese Patent Application No. 201780053428.4, Notification of First Office Action, dated Jun. 22, 2020, 29 pages.

(Continued)

Primary Examiner — George D. Kirschbaum

(74) *Attorney, Agent, or Firm* — Fish & Richardson P.C.

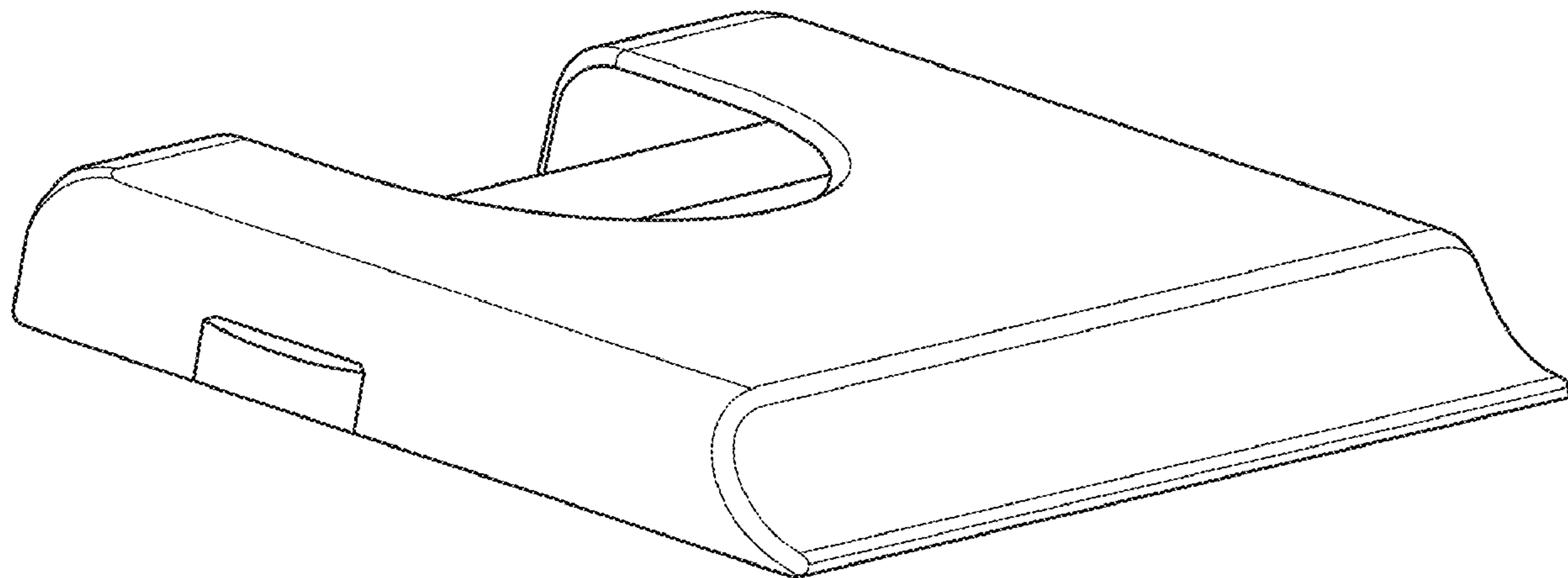
(57) **CLAIM**

The ornamental design for a mobile phone personal security accessory, substantially as shown and described.

DESCRIPTION

FIGS. 1 and 2 are perspective side views of a mobile phone personal security accessory;
FIG. 3 is a front view thereof;
FIG. 4 is a top view thereof;
FIG. 5 is a bottom view thereof;
FIG. 6 is a right side view thereof;
FIG. 7 is a left side view thereof;
FIG. 8 is perspective rear view thereof; and,
FIG. 9 is a rear view thereof.

1 Claim, 6 Drawing Sheets



(56)

References Cited

U.S. PATENT DOCUMENTS

6,624,754 B1 9/2003 Hoffman et al.
 6,636,732 B1 10/2003 Boling
 D485,060 S * 1/2004 DeCotis D3/215
 6,864,789 B2 3/2005 Wolfe
 7,038,590 B2 5/2006 Hoffman et al.
 7,091,866 B2 8/2006 Nishibori
 7,251,471 B2 7/2007 Boling et al.
 7,486,194 B2 2/2009 Stanners
 7,602,303 B2 10/2009 Douglas et al.
 7,715,831 B2 5/2010 Wakefield
 8,013,734 B2 9/2011 Saigh et al.
 8,461,983 B2 6/2013 McCauley
 8,472,915 B2 6/2013 Diperna et al.
 D689,499 S 9/2013 Chen et al.
 8,665,106 B2 3/2014 Heidvall et al.
 D718,316 S 11/2014 Veltz et al.
 D742,385 S 11/2015 Chaney
 D743,407 S 11/2015 Lin
 9,183,731 B1 11/2015 Bokhary
 9,196,139 B2 11/2015 Gutierrez et al.
 9,201,456 B2 12/2015 Eldershaw et al.
 9,390,614 B2 7/2016 Cruver et al.
 9,443,410 B1 9/2016 Constien
 9,451,061 B2 9/2016 Hagenstad
 D768,638 S 10/2016 Lee et al.
 9,589,447 B2 3/2017 Remer
 9,615,235 B2 4/2017 Scully et al.
 D787,497 S 5/2017 Friedland et al.
 9,647,887 B2 5/2017 Aminzade
 D815,100 S 4/2018 Burmester
 D818,525 S 5/2018 Burmester
 D820,267 S 6/2018 Collins et al.
 10,111,079 B2 10/2018 Baldree
 D858,507 S * 9/2019 Jang D14/251
 10,462,641 B2 10/2019 Baldree
 10,659,946 B2 5/2020 Baldree
 D885,758 S * 6/2020 Adelman D3/247
 D902,194 S * 11/2020 Gluck D14/253
 D908,022 S * 1/2021 Cai D10/106.1
 2004/0203570 A1 10/2004 Berger
 2005/0287981 A1 12/2005 Hill

2007/0182548 A1 8/2007 Raad
 2007/0224980 A1 9/2007 Wakefield
 2007/0293186 A1 12/2007 Lehmann
 2008/0214111 A1 9/2008 Moshir et al.
 2009/0191839 A1 7/2009 Cannon, Jr.
 2010/0330952 A1 12/2010 Yeoman
 2013/0033364 A1 2/2013 Raz
 2013/0225127 A1 8/2013 Cavacuiti et al.
 2013/0271264 A1 10/2013 Page et al.
 2014/0118144 A1* 5/2014 Amis G08B 21/02
 340/540
 2015/0048943 A1 2/2015 Chen
 2016/0037898 A1 2/2016 Minn et al.
 2016/0063847 A1 3/2016 Hawkins
 2016/0110990 A1 4/2016 Cruver
 2016/0174025 A1 6/2016 Chaudhri
 2016/0307007 A1 10/2016 Narasimha
 2017/0134063 A1 5/2017 Lee et al.

FOREIGN PATENT DOCUMENTS

CN 105308534 A 2/2016
 CN 105430181 A 3/2016
 DE 20314082 U1 12/2003
 WO WO201302309 A1 2/2015

OTHER PUBLICATIONS

International Application No. PCT/US2020/036476, Notification of Transmittal of the International Search Report and the Written Opinion of the International Searching Authority, dated Nov. 20, 2020, 18 pages.
 “Nio Bluetooth security tag review: your phone’s new muscle”, engadget, downloaded from the Internet Apr. 19, 2017, <https://www.engadget.com/2009/10/14/nio-bluetooth-security-tag-review-your-phones-new-muscl/>, 15 pages.
 European Patent Application No. 17739830.2, Communication Pursuant to Article 94(3) EPC dated Jun. 29, 2021, 5 pages.
 Indian Application No. 201917004500, First Examination Report dated Jun. 10, 2021, 7 pages.

* cited by examiner

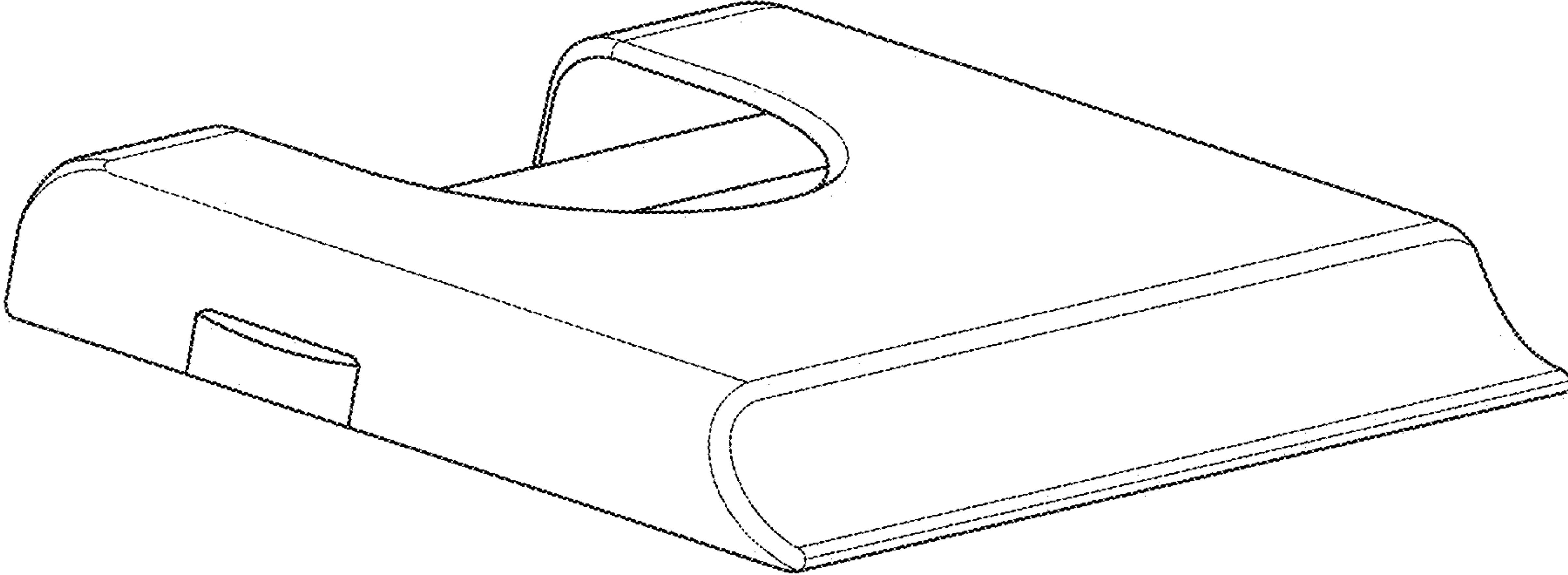


FIG. 1

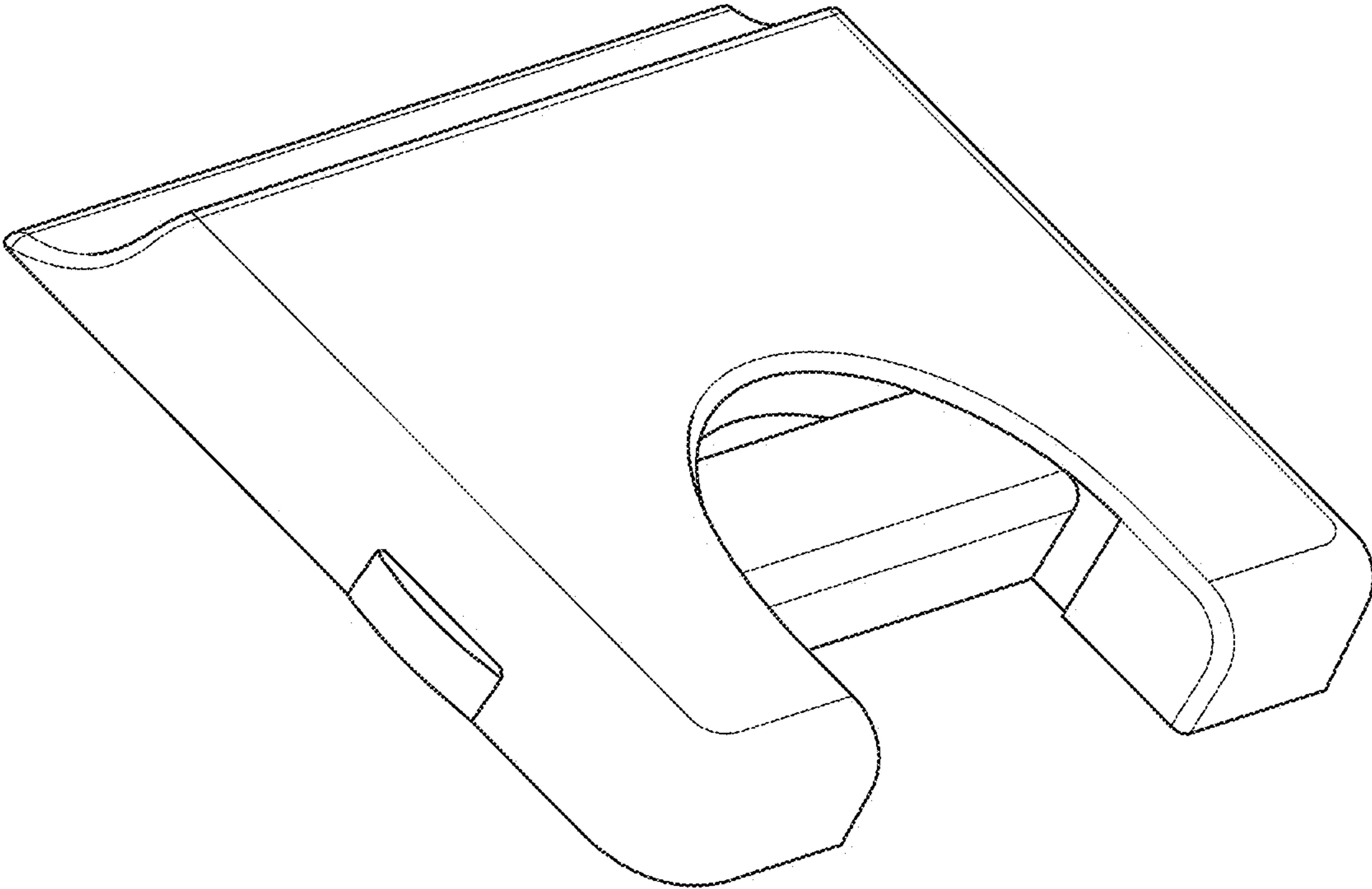


FIG. 2

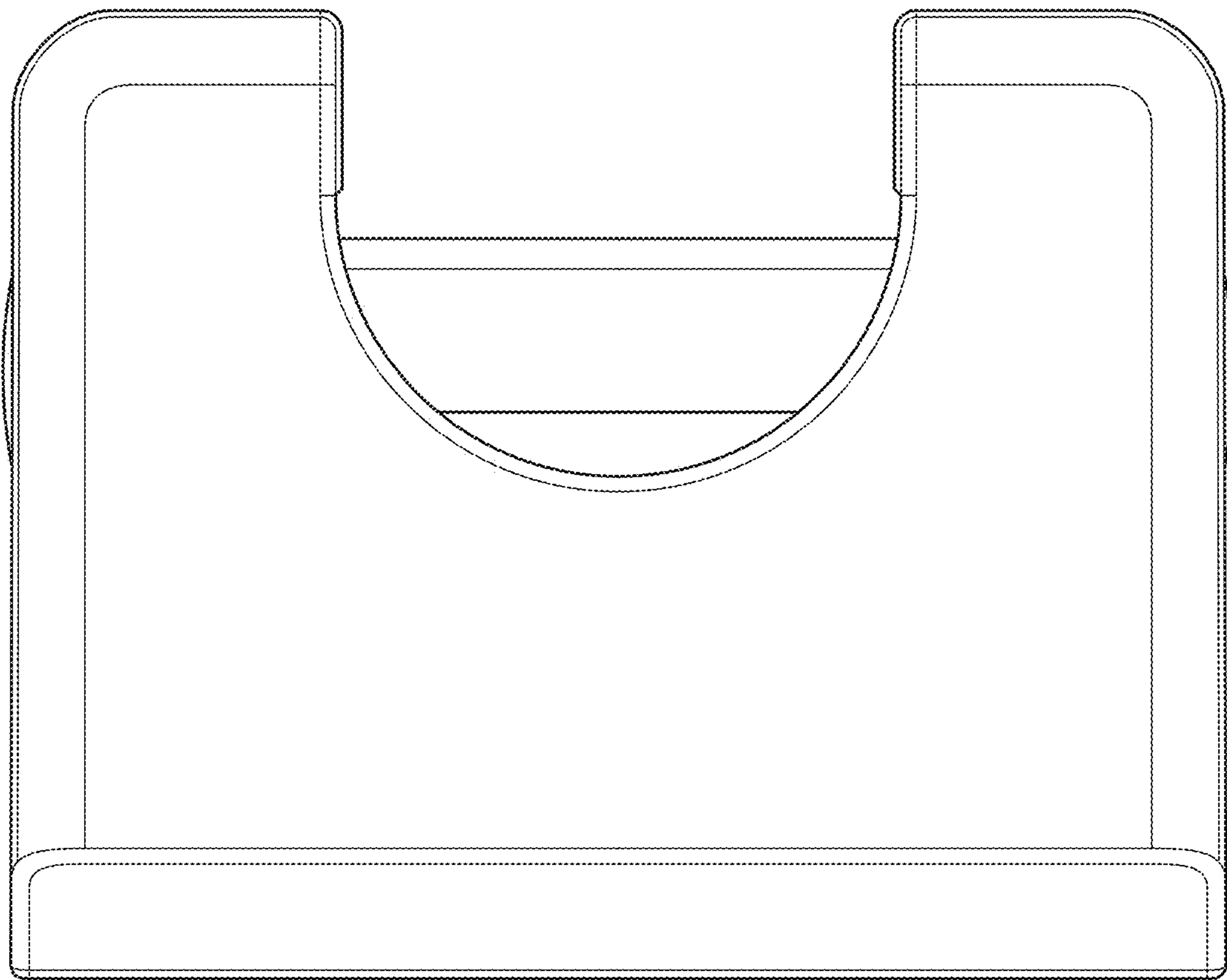


FIG. 3

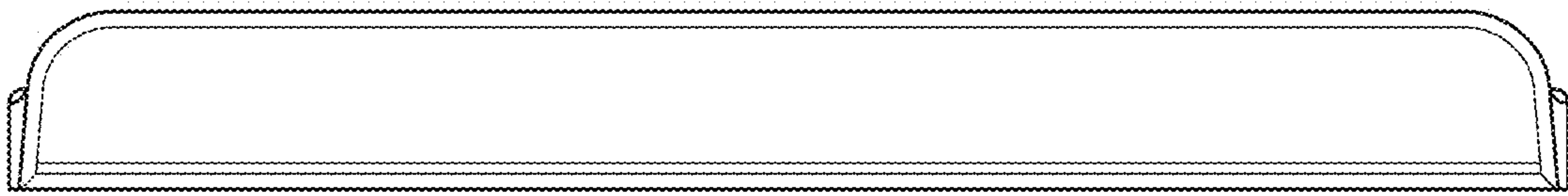


FIG. 4

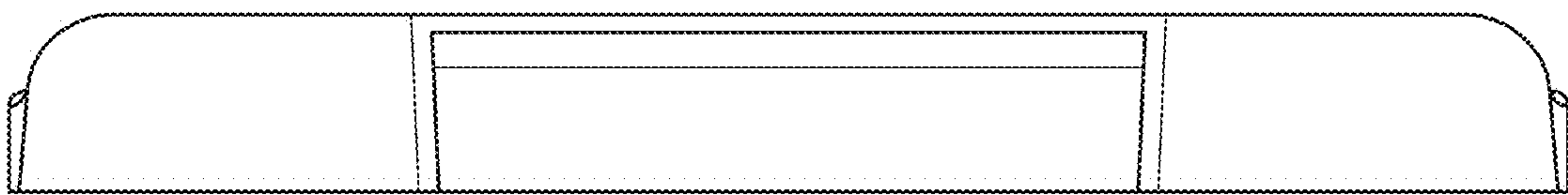


FIG. 5

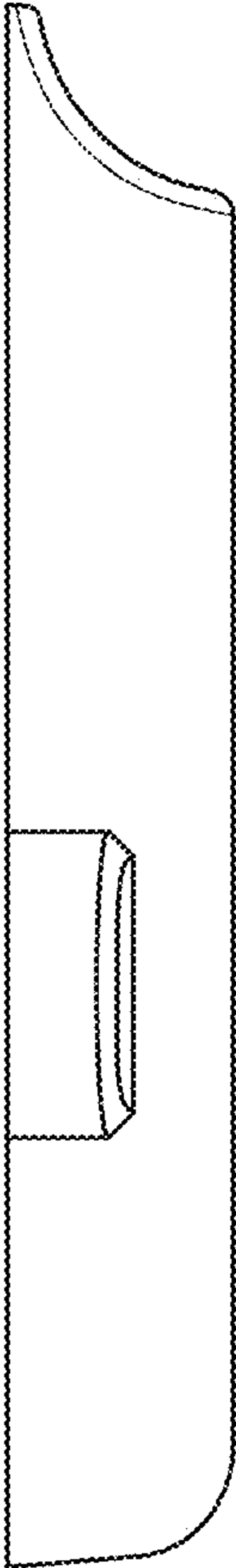


FIG. 6

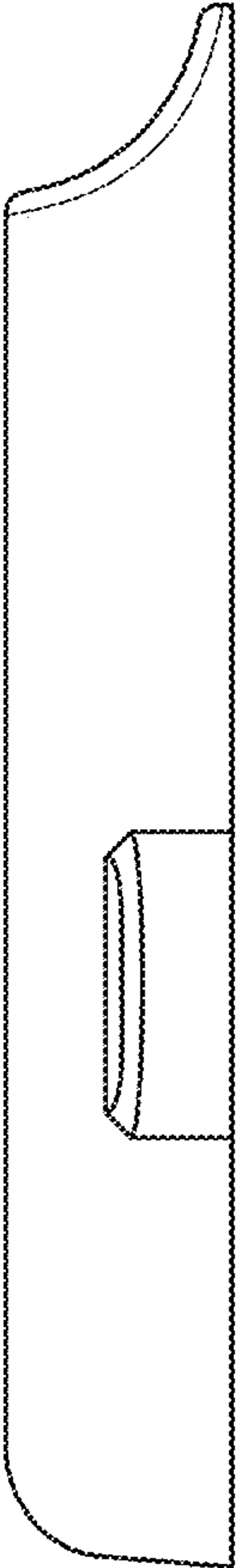


FIG. 7

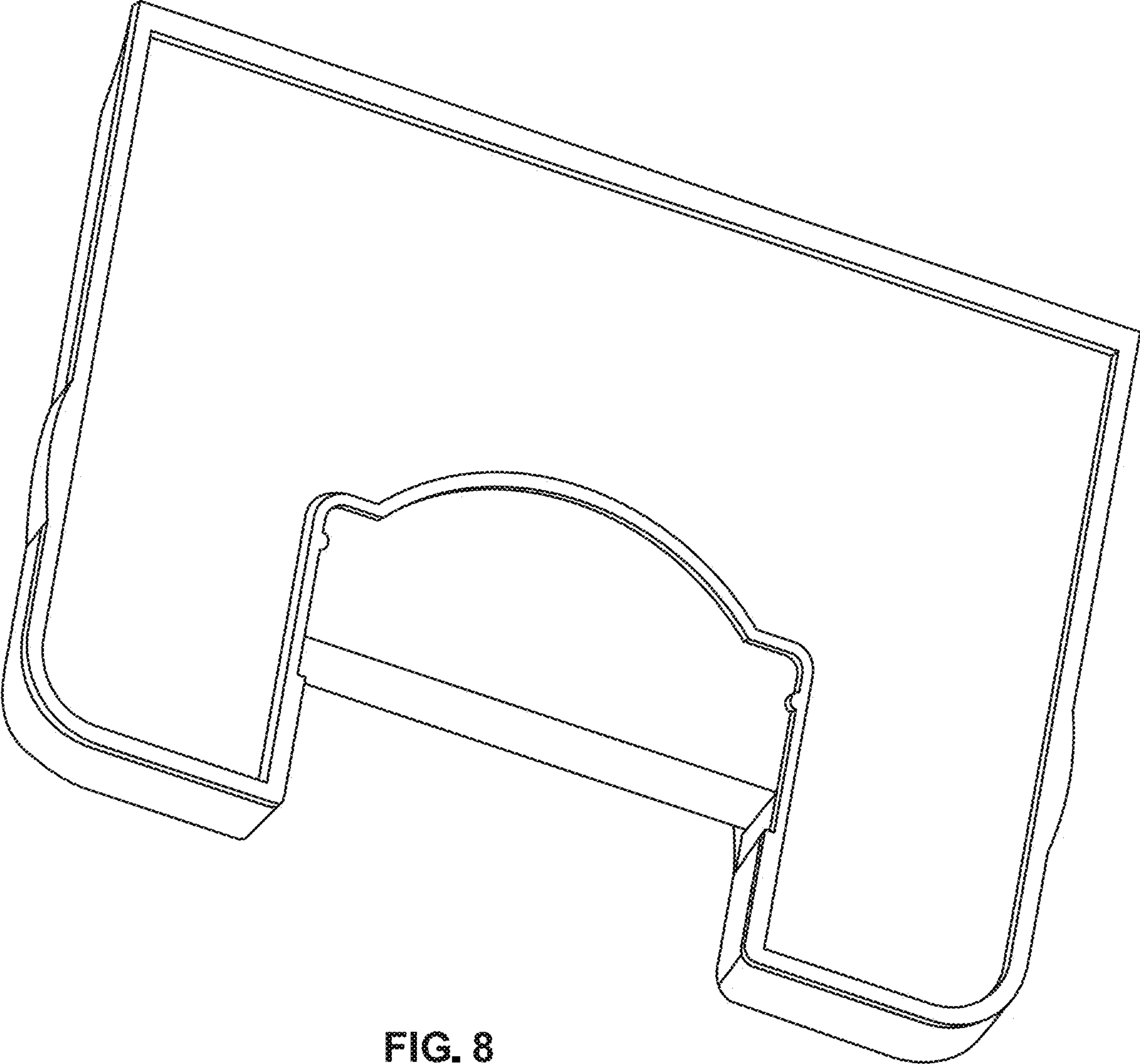


FIG. 8

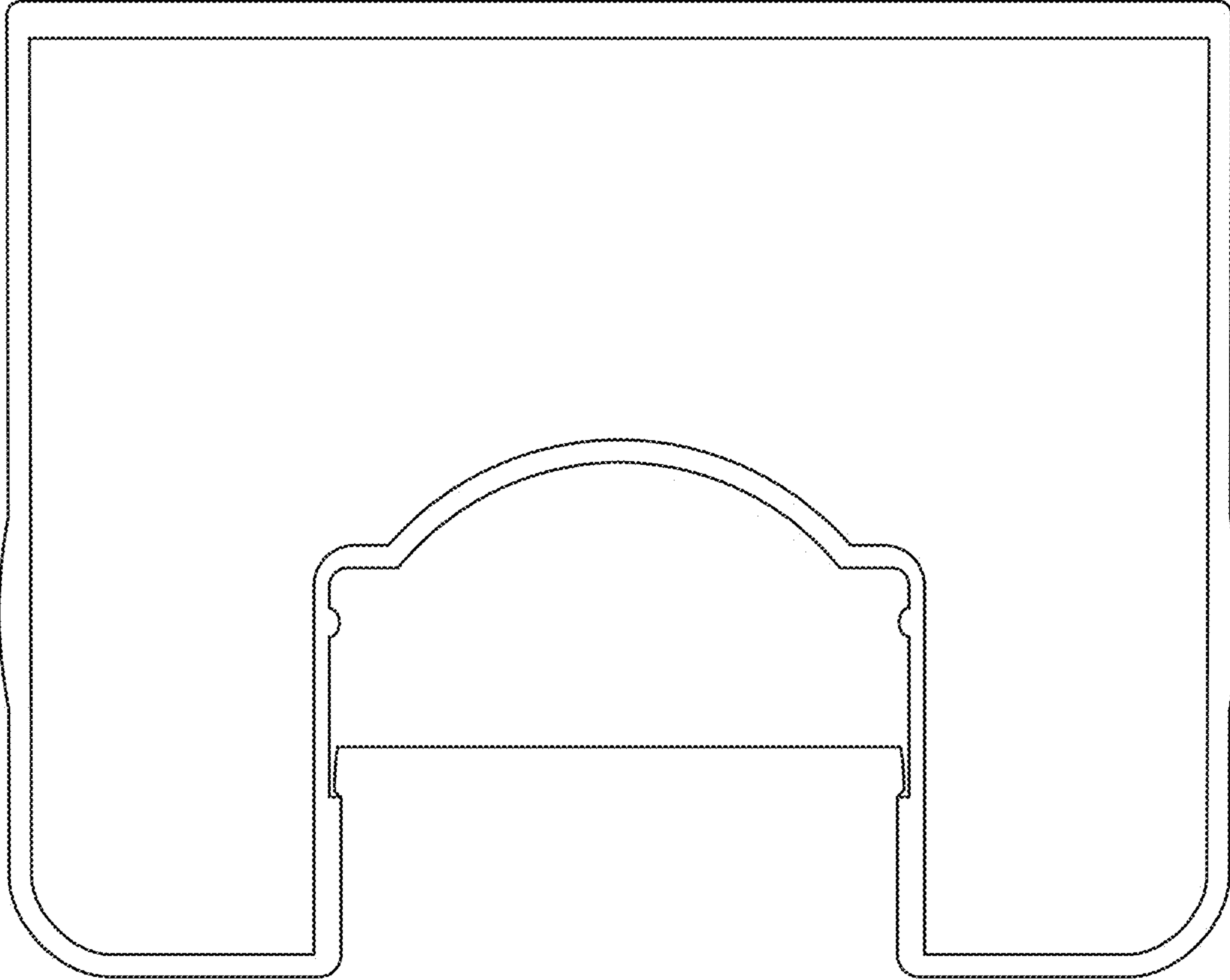


FIG. 9