



US00D941170S

(12) **United States Design Patent** (10) **Patent No.:** **US D941,170 S**
Ohtani et al. (45) **Date of Patent:** **** Jan. 18, 2022**

(54) **DIGITAL DIAL GAUGE**

(71) Applicant: **MITUTOYO CORPORATION**,
Kanagawa (JP)

(72) Inventors: **Shigeru Ohtani**, Kawasaki (JP); **Yuhei Takatsu**, Kawasaki (JP)

(73) Assignee: **MITUTOYO CORPORATION**,
Kawasaki (JP)

(**) Term: **15 Years**

(21) Appl. No.: **29/715,778**

(22) Filed: **Dec. 4, 2019**

(30) **Foreign Application Priority Data**

Jun. 10, 2019 (JP) 2019-012717

(51) **LOC (13) Cl.** **10-04**

(52) **U.S. Cl.**
USPC **D10/102; D10/85**

(58) **Field of Classification Search**
USPC D10/96-103, 46, 47, 85, 86, 80-82,
D10/75-79, 61, 65, 67, 106.91, 106.9,
D10/106.4; D14/489; D17/20, 9, 99;
D21/722, 707, 312, 830; D24/224, 216,
D24/223, 226; D26/30, 32, 33, 37-40,
D26/43-59, 80, 61; D3/302, 304, 294
CPC G01D 5/2415; G01D 11/24; G01D 13/00;
G01D 13/10; G01B 5/207; G01B 3/22;
G06F 7/4983; G06F 3/04842; G06F
3/0482; G06F 3/04847; G06F 15/0275;
G06F 3/03545; G01L 19/14; G01L
19/0023; G01L 19/143; G01L 19/0092;
G01L 19/086; Y10S 33/06; G09G
2340/145; G01F 1/26; G01F 23/02; G01F
1/28; G01F 1/05; G01F 15/06; G01F
23/0015; G01F 1/22; G01F 1/06; G01F
1/08; B60P 3/228; B60P 3/2265; G01P
5/24; G01P 15/00;

(Continued)

(56) **References Cited**

U.S. PATENT DOCUMENTS

D42,690 S * 7/1912 Kress et al. D26/30
D70,634 S * 7/1926 Stewart D26/30

(Continued)

FOREIGN PATENT DOCUMENTS

CN 303519073 * 9/2015
CN 303976970 * 8/2016

(Continued)

OTHER PUBLICATIONS

Mitutoyo Store, IDC Digimatic Indicator, Date first available Nov. 3, 2009, [online]retrieved Sep. 15, 2021 ,available from https://www.amazon.com/dp/B002SG7QVK/ref=sspa_dk_detail_4?psc=1&pd_rd_i=B002SG7QVKp13NParams&spLa=ZW5jcnlwdGVkUXVhbGlmaWVyPUE5U1RBWUpCQ0tLMkomZW5jcnlwdGVkS (Year: 2009).*

(Continued)

Primary Examiner — Keli L Hill

Assistant Examiner — Sara S Sahneh

(74) *Attorney, Agent, or Firm* — Oliff PLC

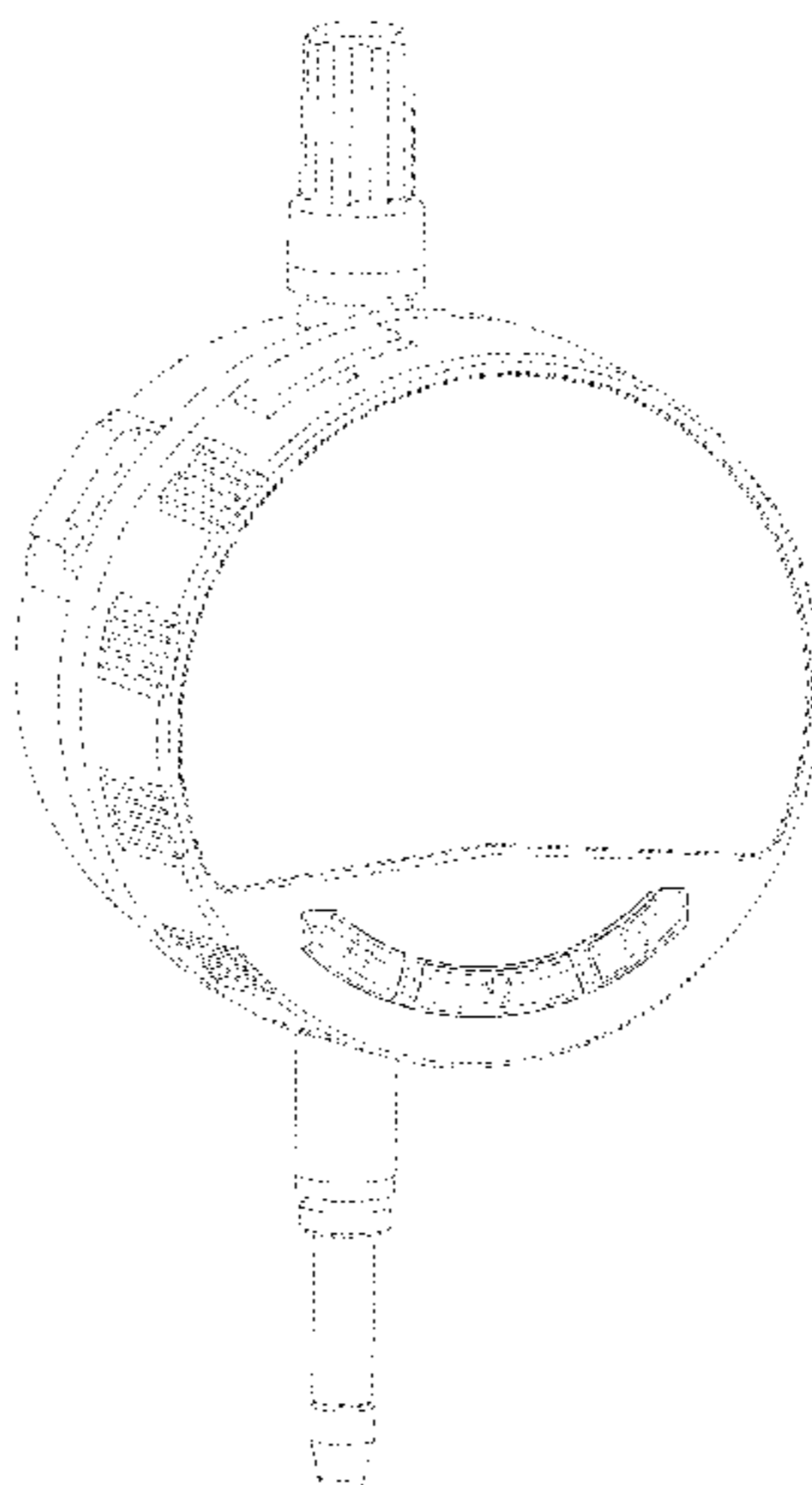
(57) **CLAIM**

The ornamental design for a digital dial gauge, as shown and described.

DESCRIPTION

FIG. 1 is a front, left-side, top perspective view of the digital dial gauge;
FIG. 2 is a front elevational view thereof;
FIG. 3 is a rear elevational view thereof;
FIG. 4 is a left-side elevational view thereof;
FIG. 5 is a right-side elevational view thereof;
FIG. 6 is a top plan view thereof; and,
FIG. 7 is a bottom plan view thereof.

(Continued)



US D941,170 S

Page 2

The broken lines depict parts of the digital dial gauge that form no part of the claimed design.

1 Claim, 7 Drawing Sheets

(58) Field of Classification Search

CPC G01P 1/06; G01K 13/00; G01K 1/024;
G05D 7/0635; H04L 2012/2841; H04L
12/2827; H04L 2012/285

See application file for complete search history.

(56) References Cited

U.S. PATENT DOCUMENTS

D82,950	S	*	12/1930	McGee	D26/30
D102,947	S	*	1/1937	Guardino	D26/30
D105,047	S	*	6/1937	White	D26/30
D300,009	S	*	2/1989	Takahashi	D10/73
D314,524	S	*	2/1991	Perry	D10/114.1
D556,071	S	*	11/2007	Jitsuda	D10/97
D588,030	S	*	3/2009	Ohtani	D10/85
D592,086	S	*	5/2009	Ohtani	D10/102
D592,087	S	*	5/2009	Ohtani	D10/102
D612,277	S	*	3/2010	Cain	D10/85
D653,572	S	*	2/2012	Ohtani	D10/102
8,689,628	B2	*	4/2014	Arai	G01D 11/24 73/431
D747,988	S	*	1/2016	Matsumiya	D10/85
D790,379	S	*	6/2017	Matsumiya	D10/85
D803,082	S	*	11/2017	Banschbach	D10/85

D828,198	S	*	9/2018	Fisher	D10/106.9
2015/0286354	A1	*	10/2015	Niwano	G01B 3/22 715/831
2018/0031398	A1	*	2/2018	Niwano	G01B 9/00

FOREIGN PATENT DOCUMENTS

CN	305417869	*	4/2019
CN	306737091	*	4/2021
EM	000949078-0003	*	6/2008
EM	006708715-0004	*	8/2019
JP	1252401	S	10/2005
JP	D1409380	*	7/2010

OTHER PUBLICATIONS

Mitutoyo Store, Absolute LCD Digimatic Indicator, Date first available Nov. 9, 2004, [online]retrieved Sep. 15, 2021 ,available from https://www.amazon.com/Mitutoyo-543-792-Digimatic-Indicator-Graduation/dp/B0006J3ZX4/ref=sr_1_53?dchild=1&keywords=DIGITAL+DIAL+GAUGE+MITUTOYO&qid=1631727560&s=industrial (Year: 2004).*

Gaging Store, Absolute Digital Indicator, Date first available Dec. 23, 2014, [online]retrieved Sep. 15, 2021, available from https://www.amazon.com/iGaging-35-705-25-Indicator-Conversion-Precision/dp/B00RC9R3KM/ref=pd_di_sccai_21/134-5564337-2927451?pd_rd_w=nCrgo&pf_rd_p=c9443270-b914-4430-a90b-72e3e7 (Year: 2014).*

Gaging Store, Digital Indicator, Date first available Jan. 7, 2021, [online]retrieved Sep. 16, 2021 ,available from https://www.amazon.com/iGaging-Digital-Indicator-Protection-Electronic/dp/B08SGFG4ZJ/ref=pd_di_sccai_14/133-9953152-3452307?pd_rd_w=6laZg&pf_rd_p=c9443270-b914-4430-a90b-72e3e7e784e0&pf_rd_ (Year: 2021).*

* cited by examiner

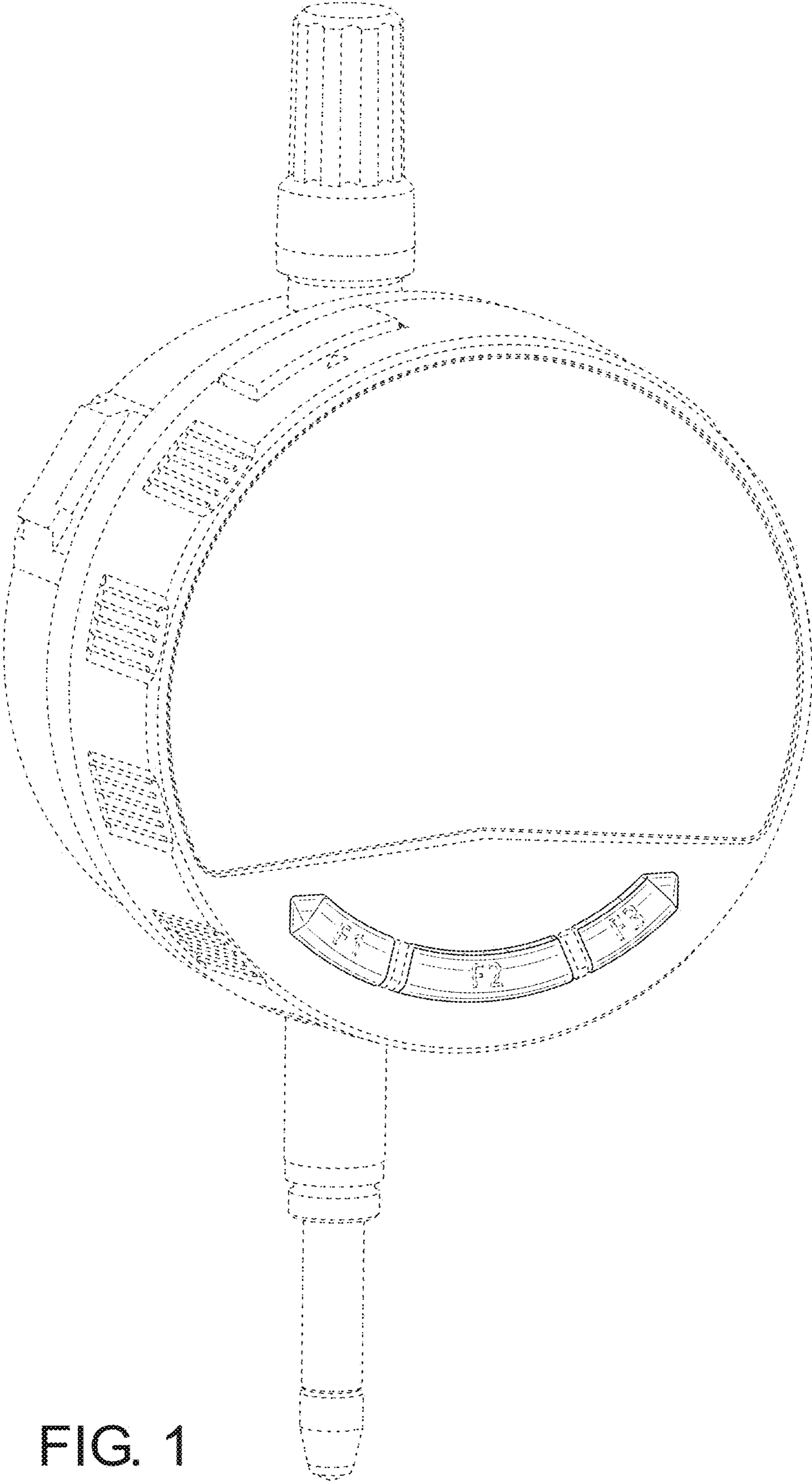


FIG. 1

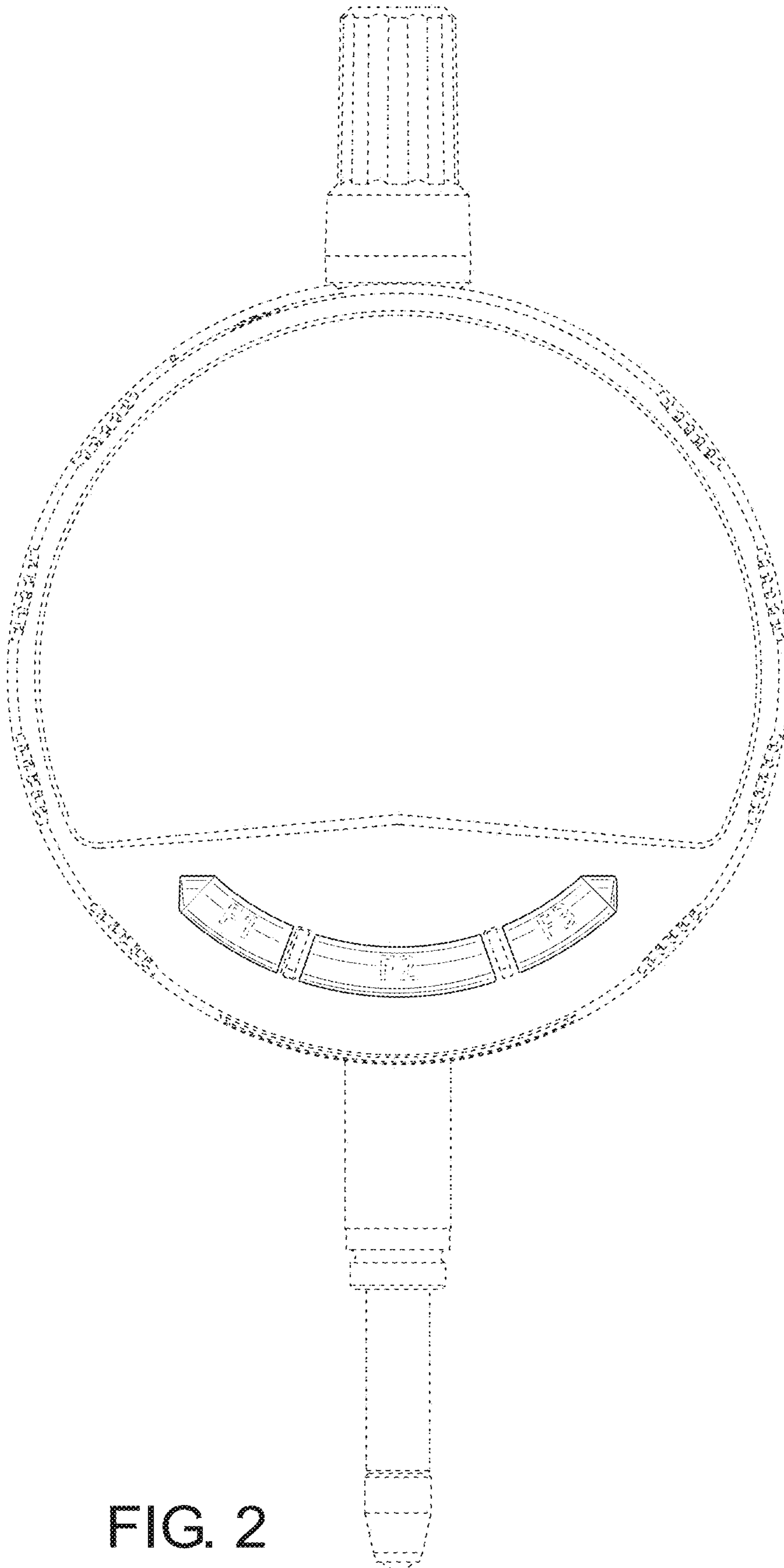


FIG. 2

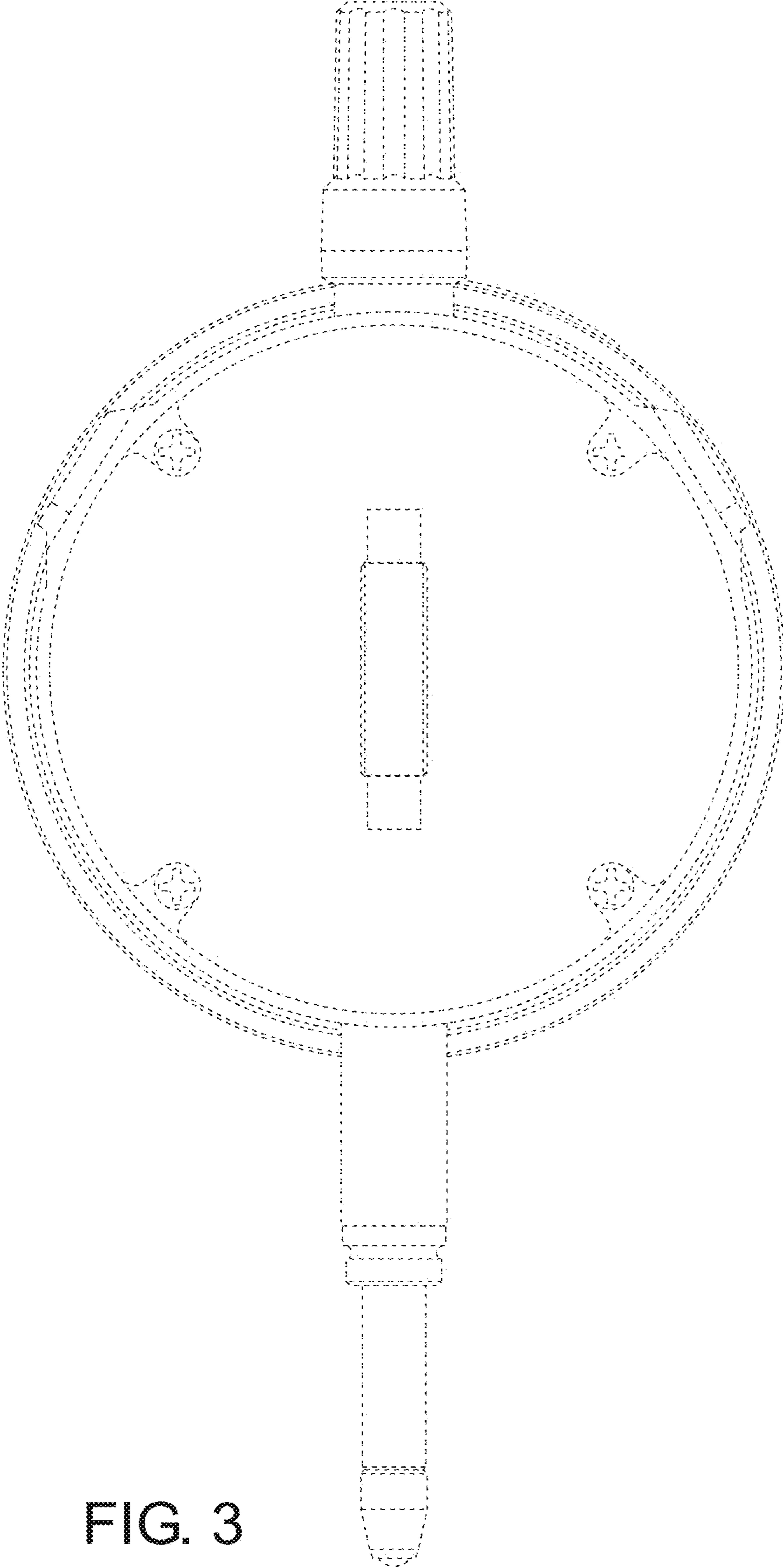


FIG. 3

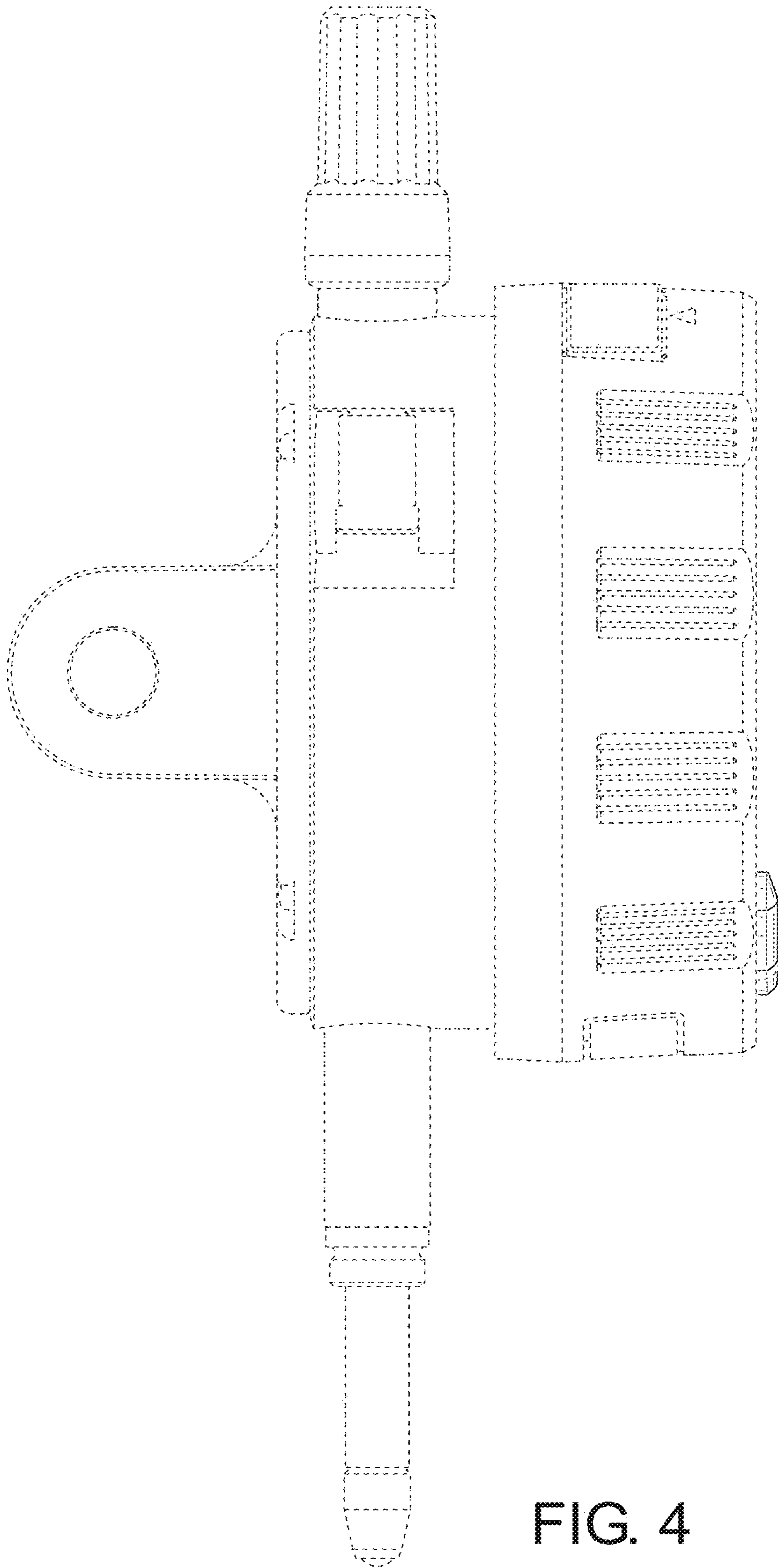


FIG. 4

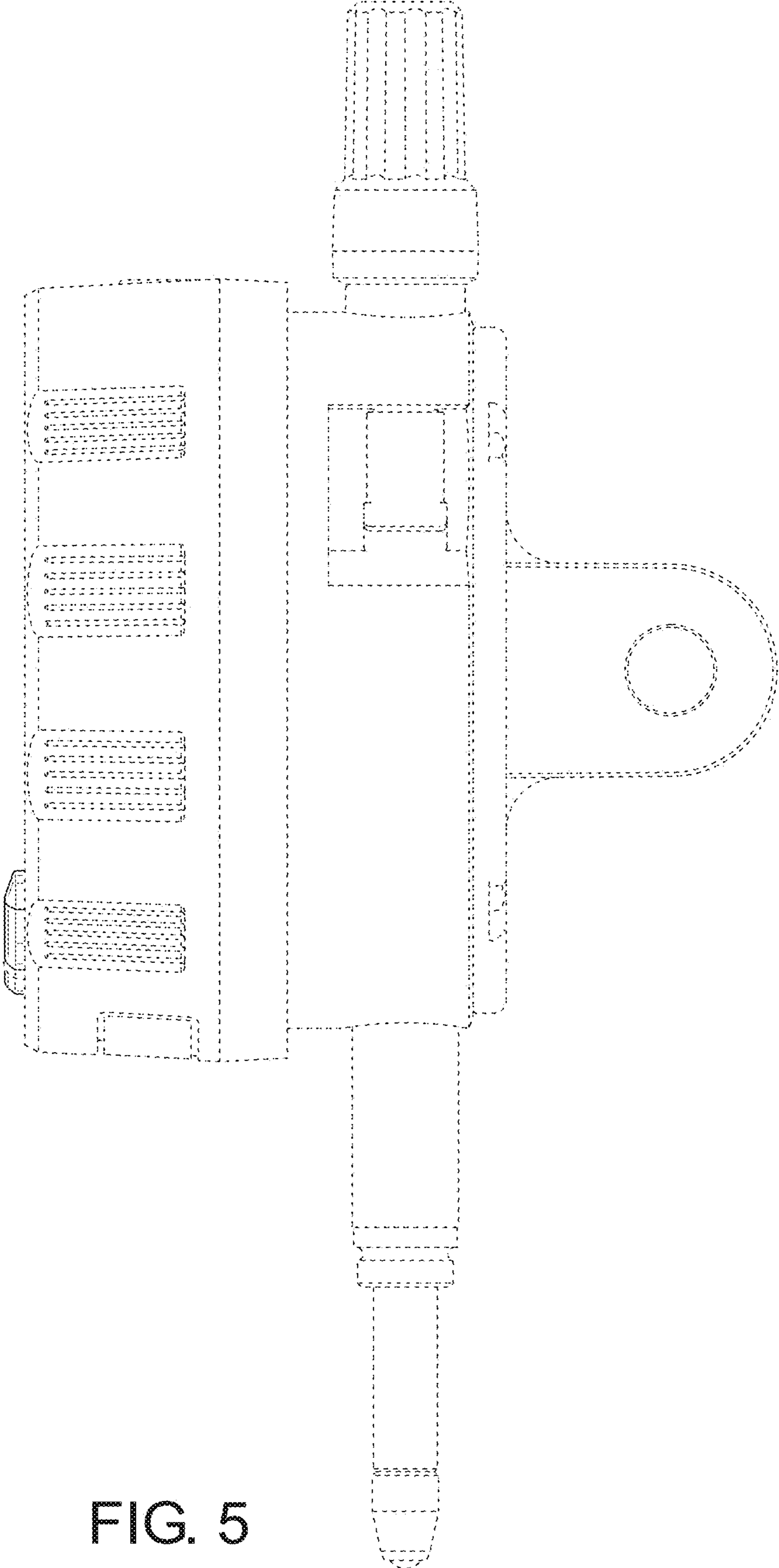


FIG. 5

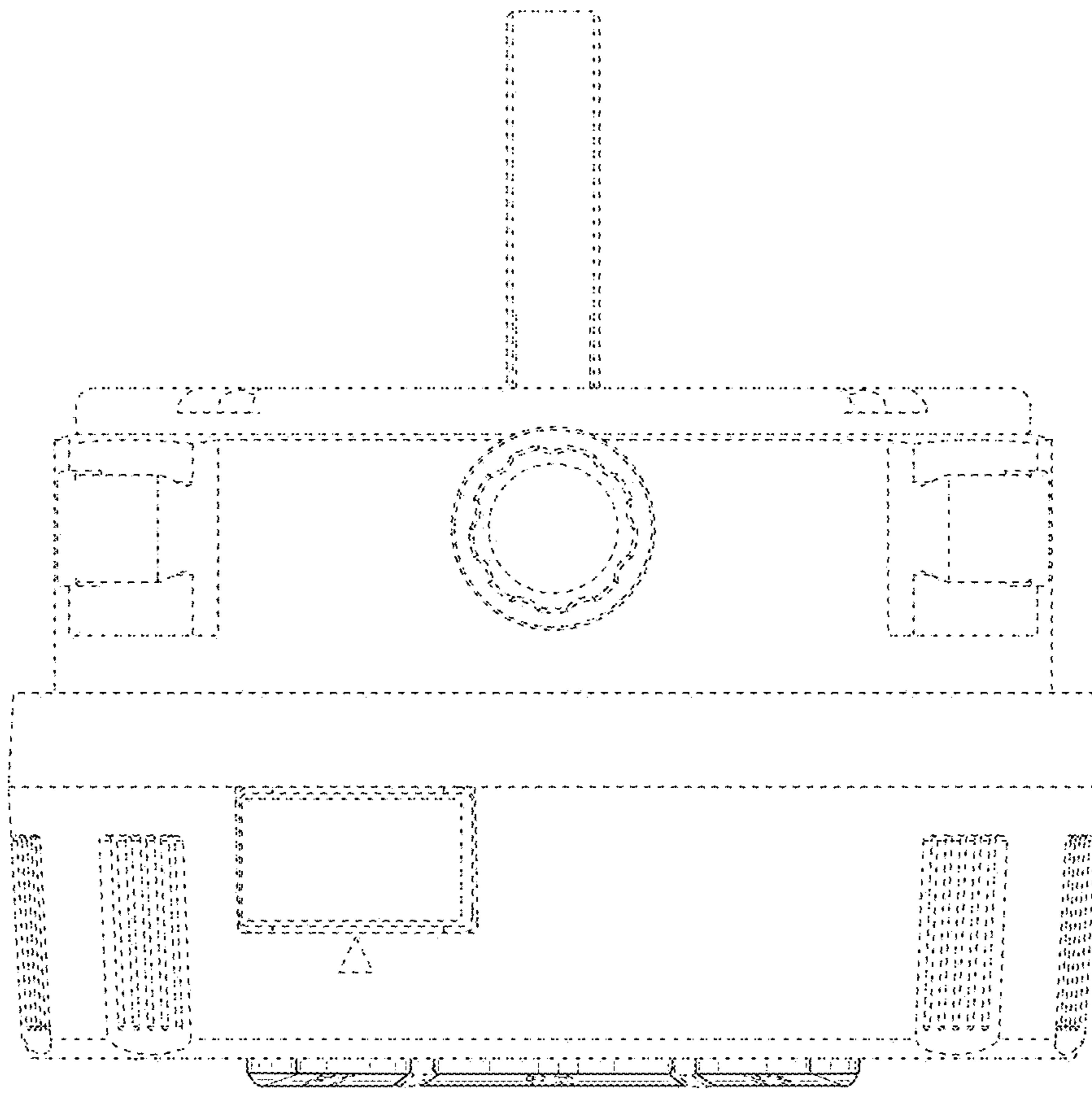


FIG. 6

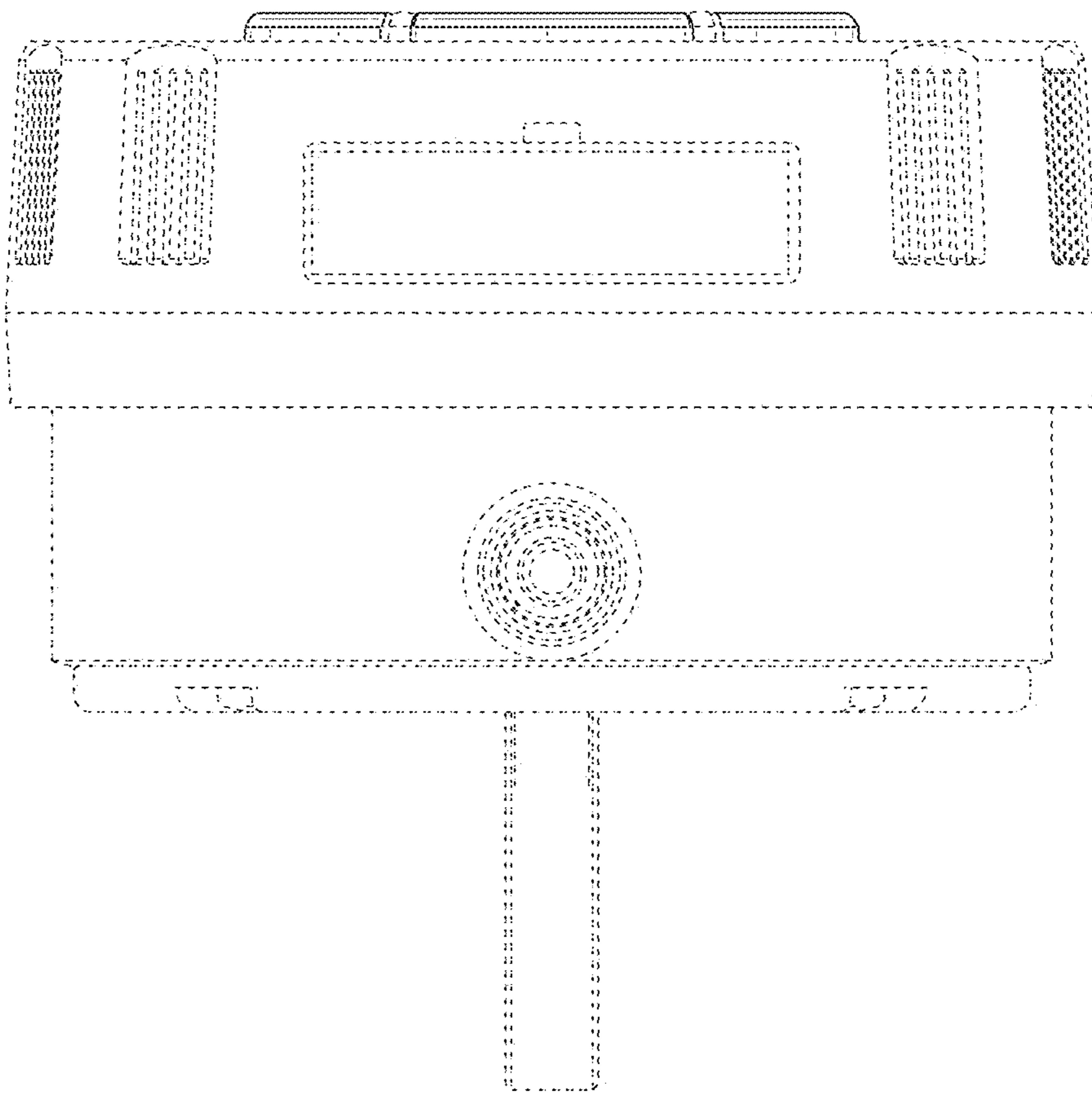


FIG. 7