



US00D941168S

(12) **United States Design Patent**  
**Omote**

(10) **Patent No.:** **US D941,168 S**  
(45) **Date of Patent:** **\*\* Jan. 18, 2022**

(54) **VIBRATION SENSOR**

(71) Applicants: **KABUSHIKI KAISHA TOSHIBA**,  
Tokyo (JP); **TOSHIBA ELECTRONIC  
DEVICES & STORAGE  
CORPORATION**, Tokyo (JP)

(72) Inventor: **Hirofumi Omote**, Tokyo (JP)

(73) Assignees: **Kabushiki Kaisha Toshiba**, Tokyo  
(JP); **Toshiba Electronic Devices &  
Storage Corporation**, Tokyo (JP)

(\*\*) Term: **15 Years**

(21) Appl. No.: **29/710,316**

(22) Filed: **Oct. 22, 2019**

(51) **LOC (13) Cl.** ..... **10-04**

(52) **U.S. Cl.**  
USPC ..... **D10/83**

(58) **Field of Classification Search**  
USPC ..... D10/83  
CPC ..... G01H 1/12; G01H 11/02; G01H 11/06;  
G01H 17/00; G01H 1/00; G01H 11/08;  
G01N 29/2462; G01N 29/2468; H01L  
41/053; H01L 41/113; H02K 35/04  
See application file for complete search history.

(56) **References Cited**

**U.S. PATENT DOCUMENTS**

5,633,811 A \* 5/1997 Canada ..... G01H 1/00  
702/190  
5,943,634 A \* 8/1999 Piety ..... B23Q 17/12  
702/56

6,202,491 B1 \* 3/2001 McCarty ..... G01D 9/005  
73/659  
8,296,103 B2 \* 10/2012 Son ..... G01H 1/00  
702/183  
9,099,635 B2 \* 8/2015 Nakamura ..... B06B 1/0629  
D738,755 S 9/2015 Druce  
D750,519 S \* 3/2016 Leigh ..... G01D 9/005  
D10/83  
D787,355 S \* 5/2017 Lim ..... G01D 9/005  
D10/83  
D845,160 S \* 4/2019 Stray ..... G01H 1/00  
D10/83

**FOREIGN PATENT DOCUMENTS**

JP 1468073 5/2013  
JP 1471419 6/2013

\* cited by examiner

*Primary Examiner* — Antoine Duval Davis

(74) *Attorney, Agent, or Firm* — Jeffri A. Kaminski;  
Venable LLP

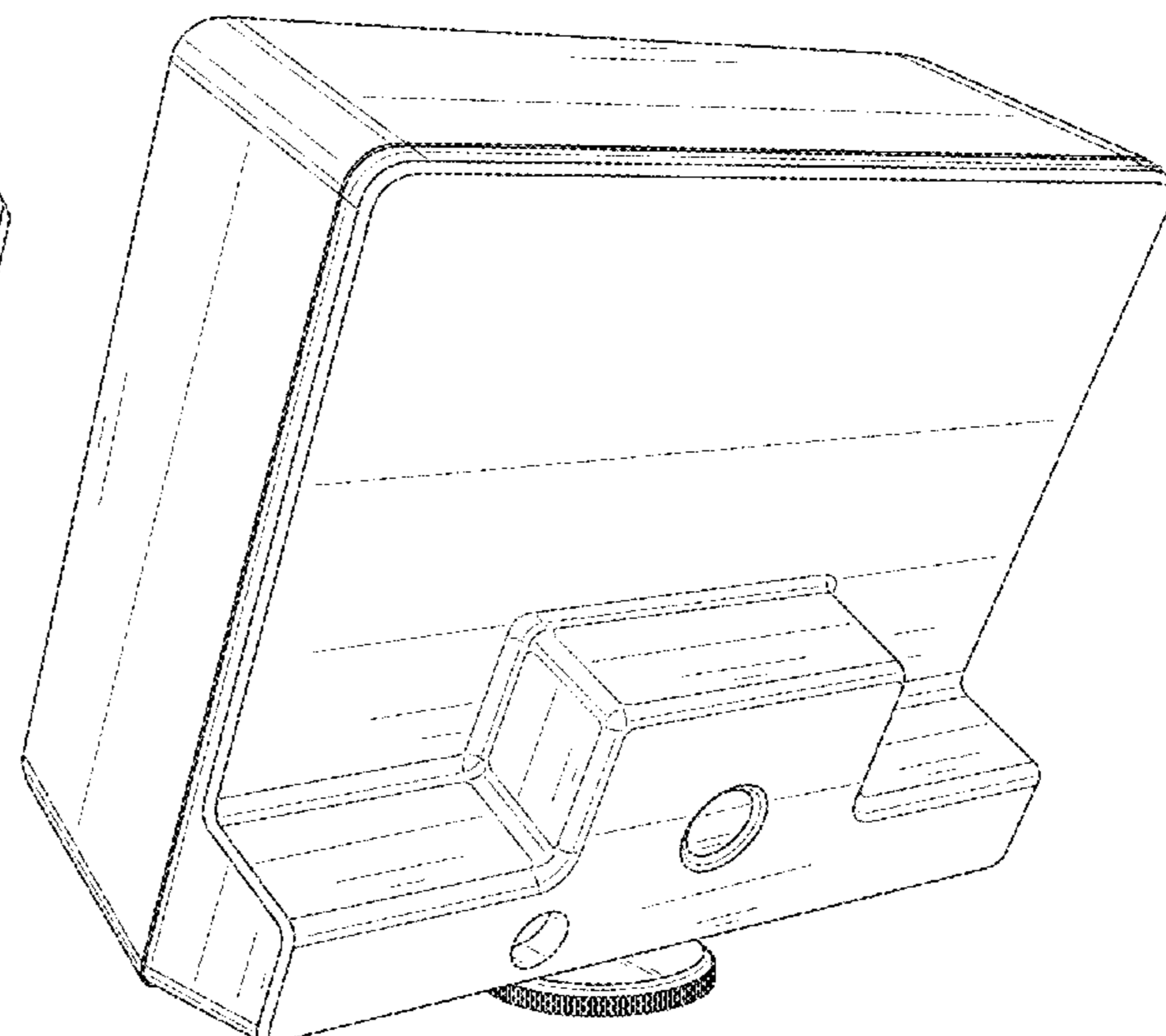
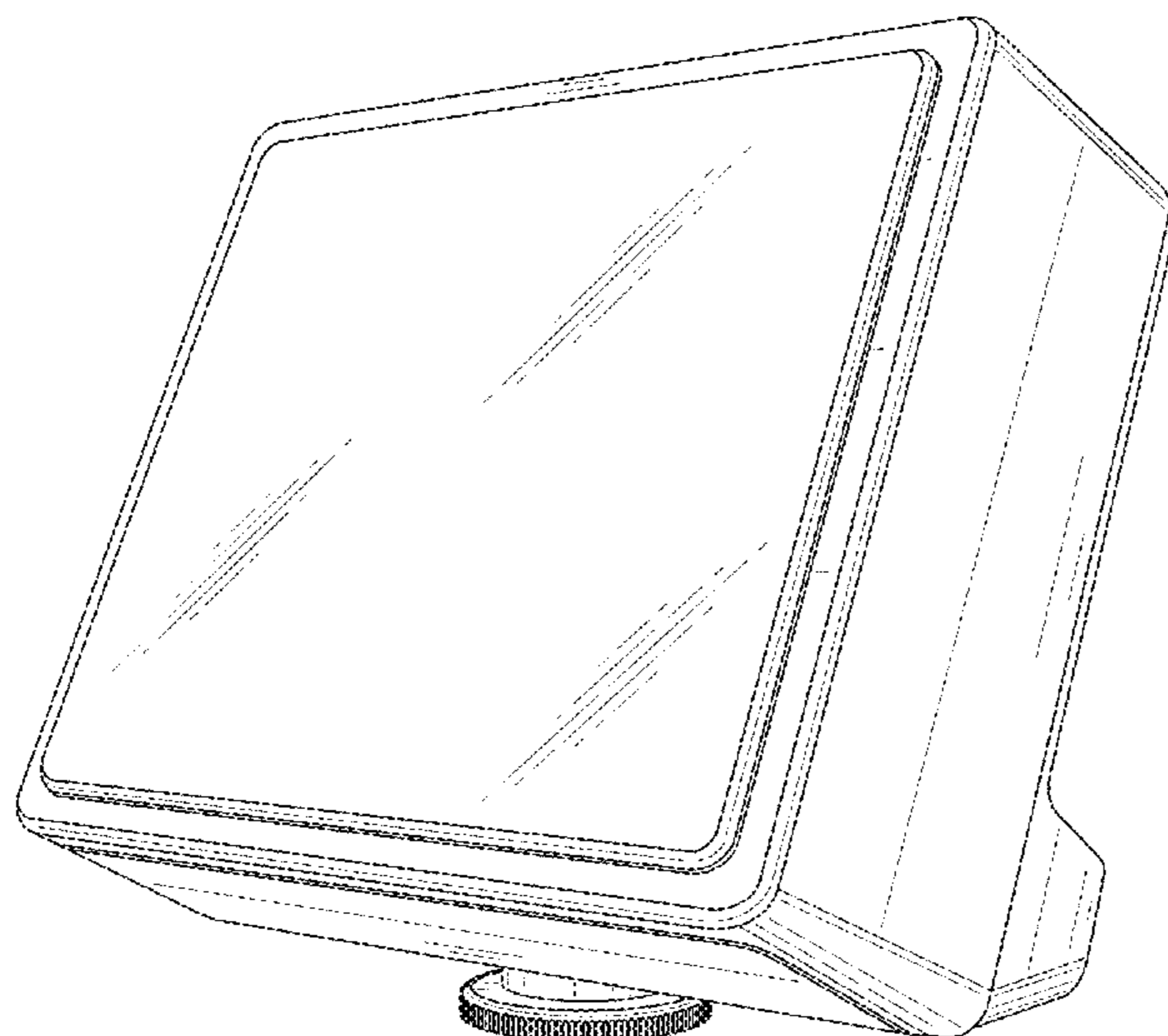
(57) **CLAIM**

The ornamental design for a vibration sensor, as shown and described.

**DESCRIPTION**

FIG. 1 is a front-right perspective view of the vibration sensor, according to an embodiment of the new design; FIG. 2 is a rear perspective view thereof; FIG. 3 is a front view thereof; FIG. 4 is a right side view thereof; FIG. 5 is a left side view thereof; FIG. 6 is a top view thereof; FIG. 7 is a rear view thereof; and, FIG. 8 is a bottom view thereof.

**1 Claim, 4 Drawing Sheets**



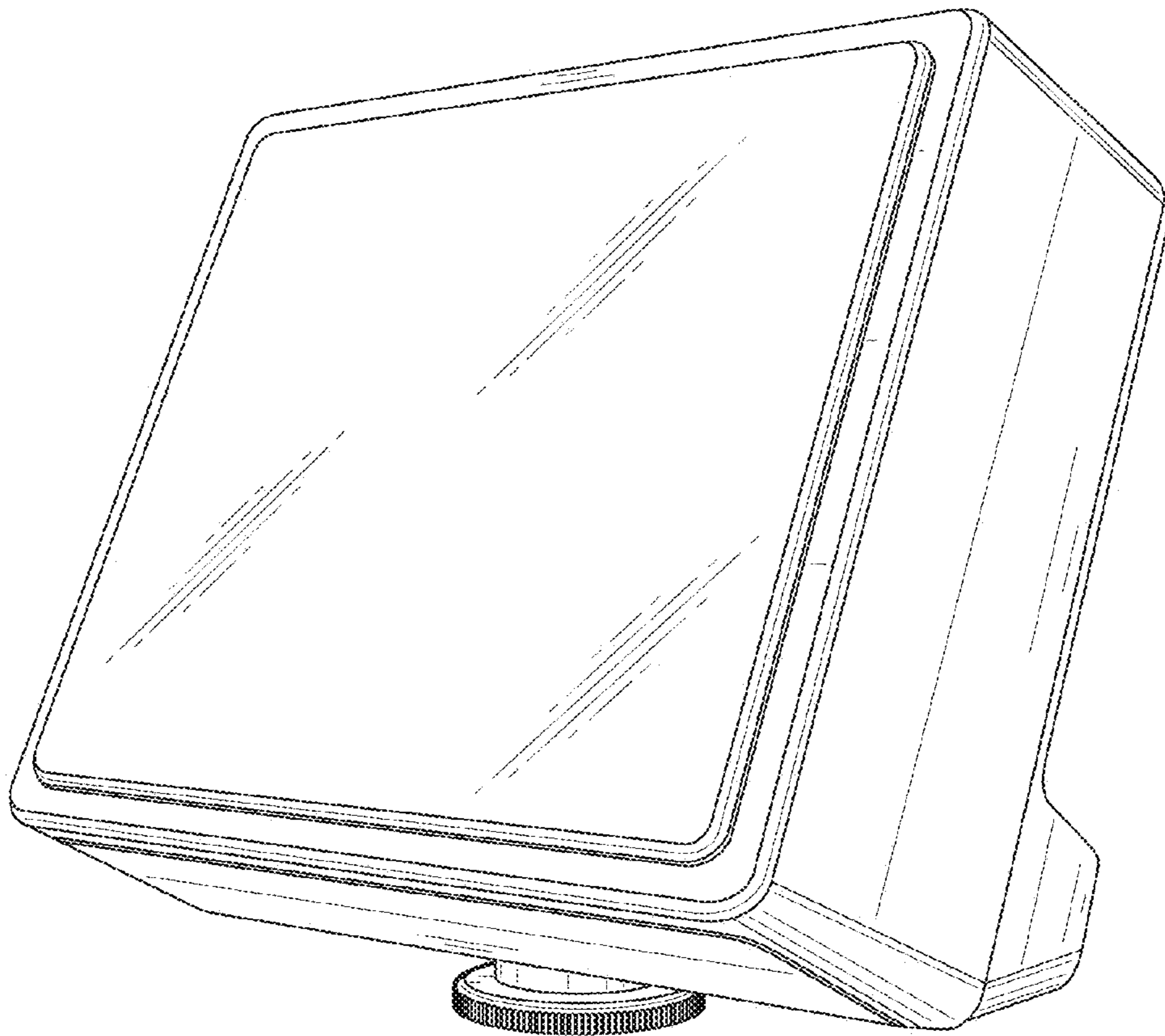


FIG. 1

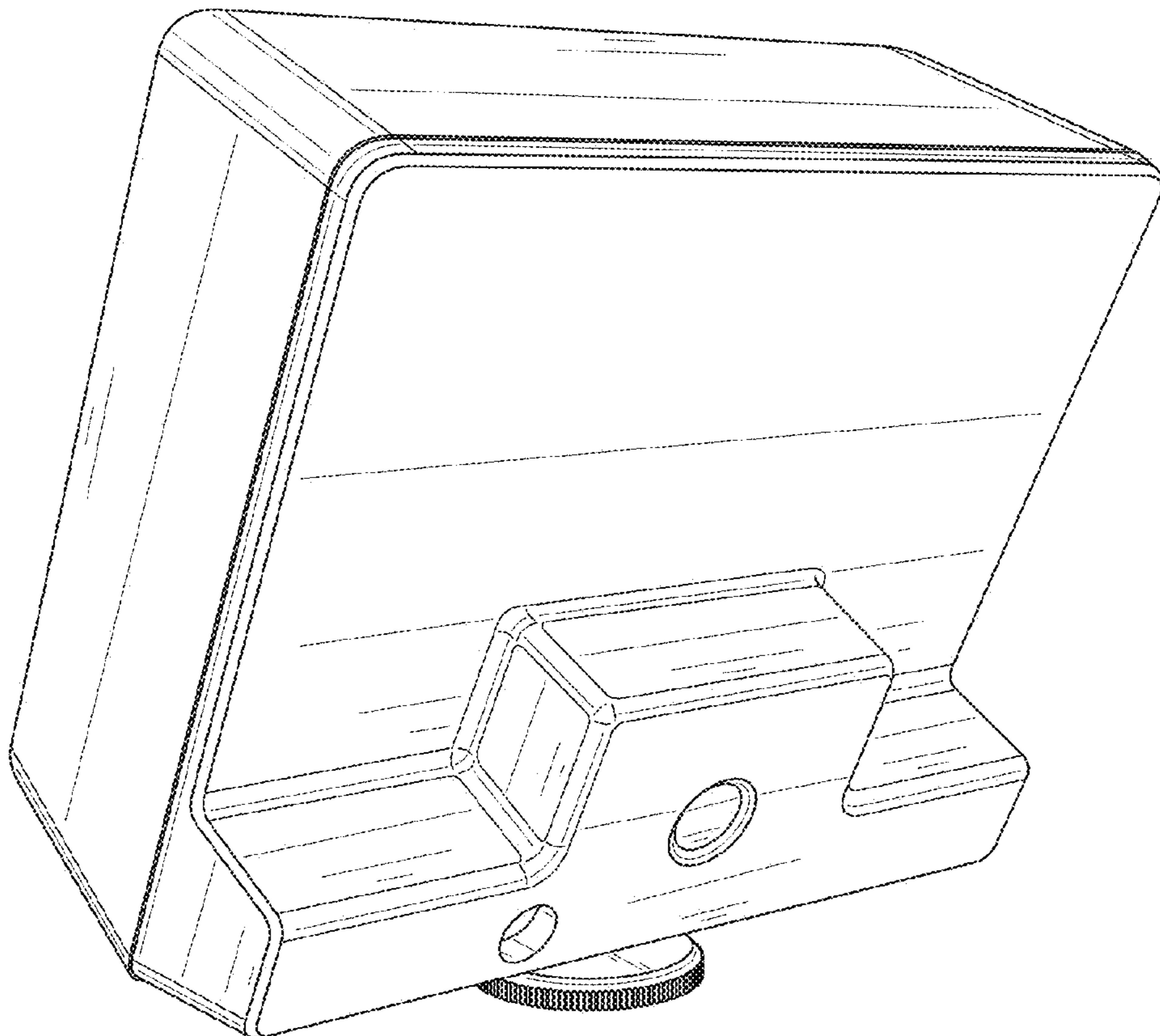


FIG. 2

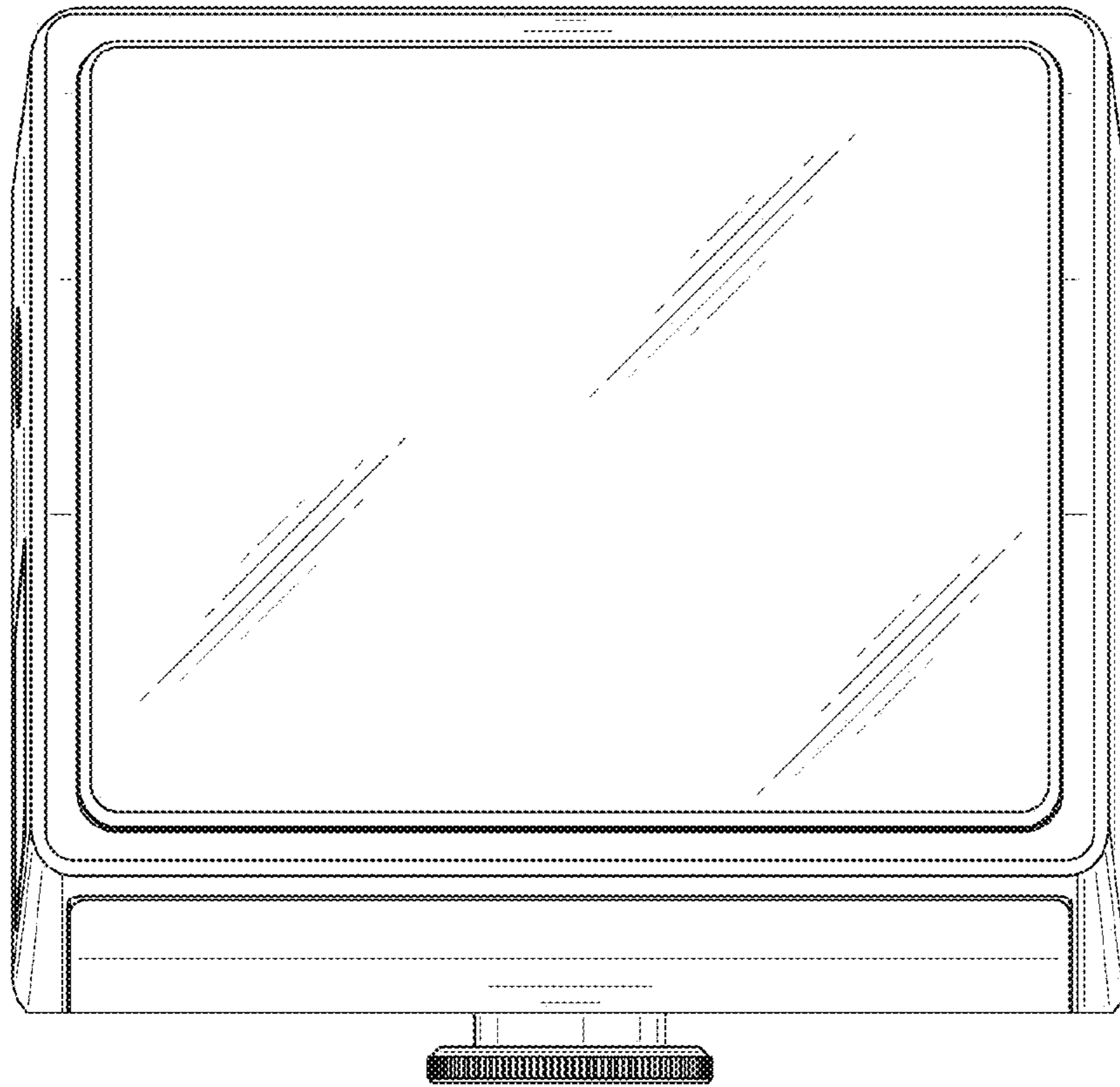


FIG. 3

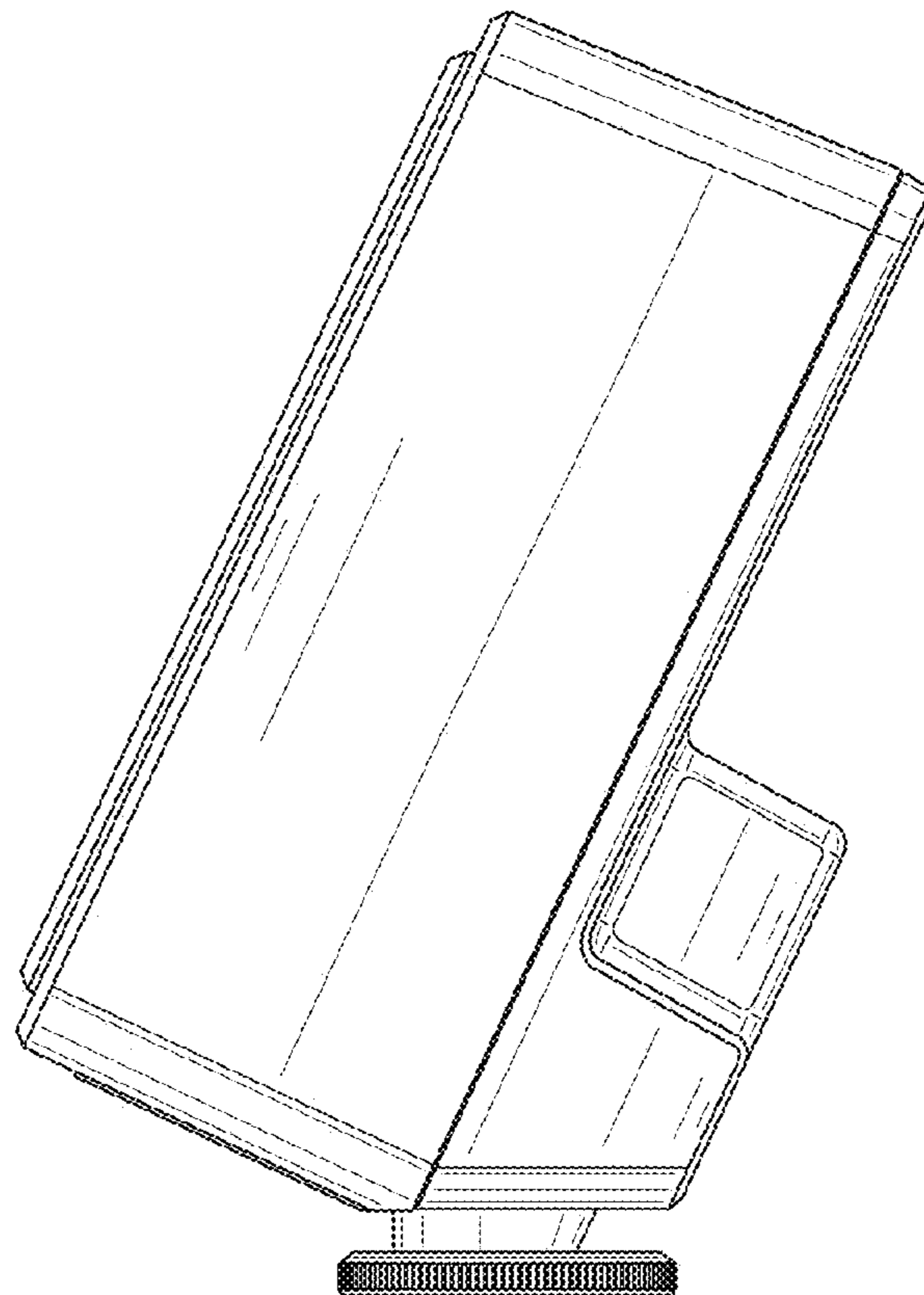


FIG. 4

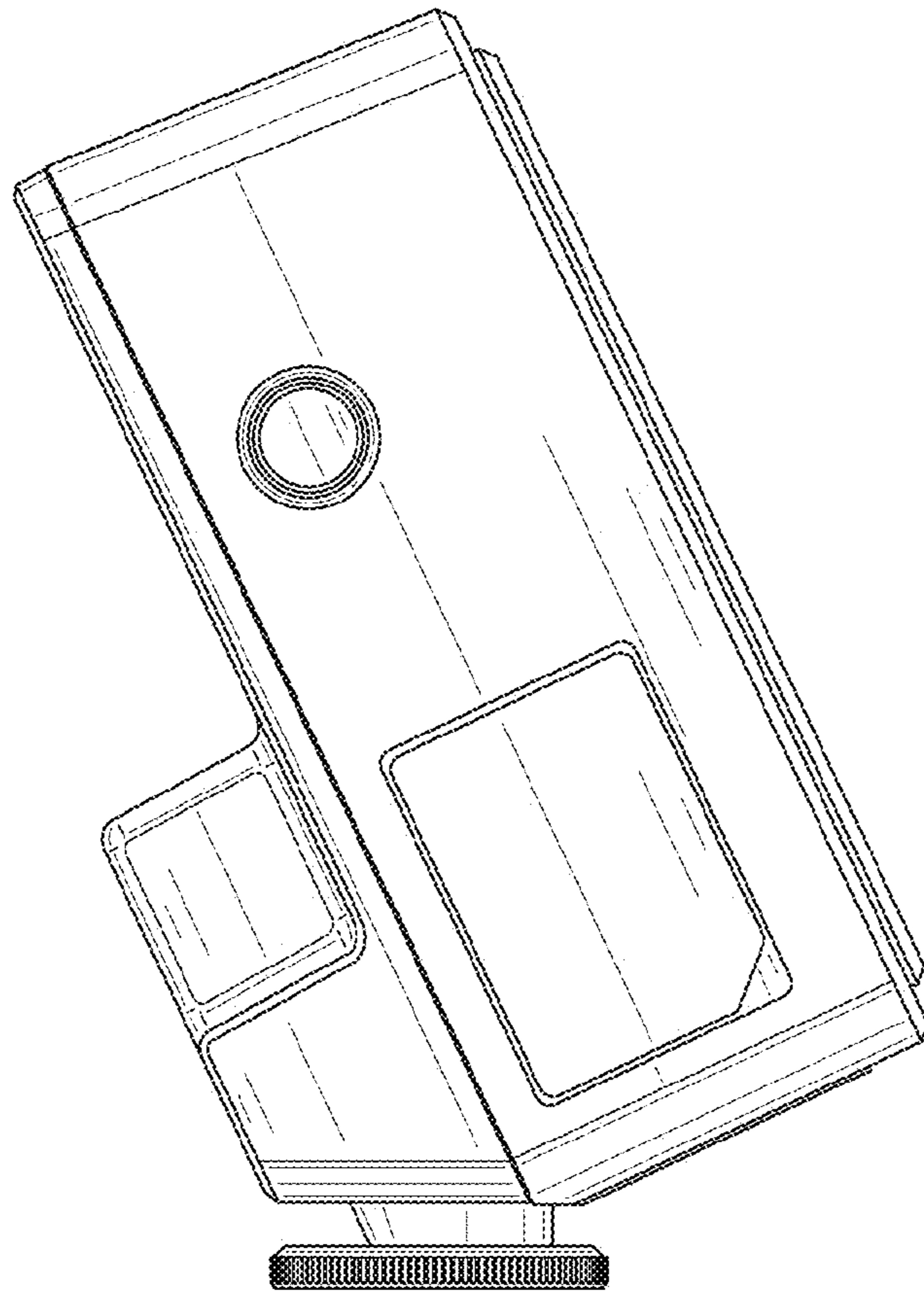


FIG. 5

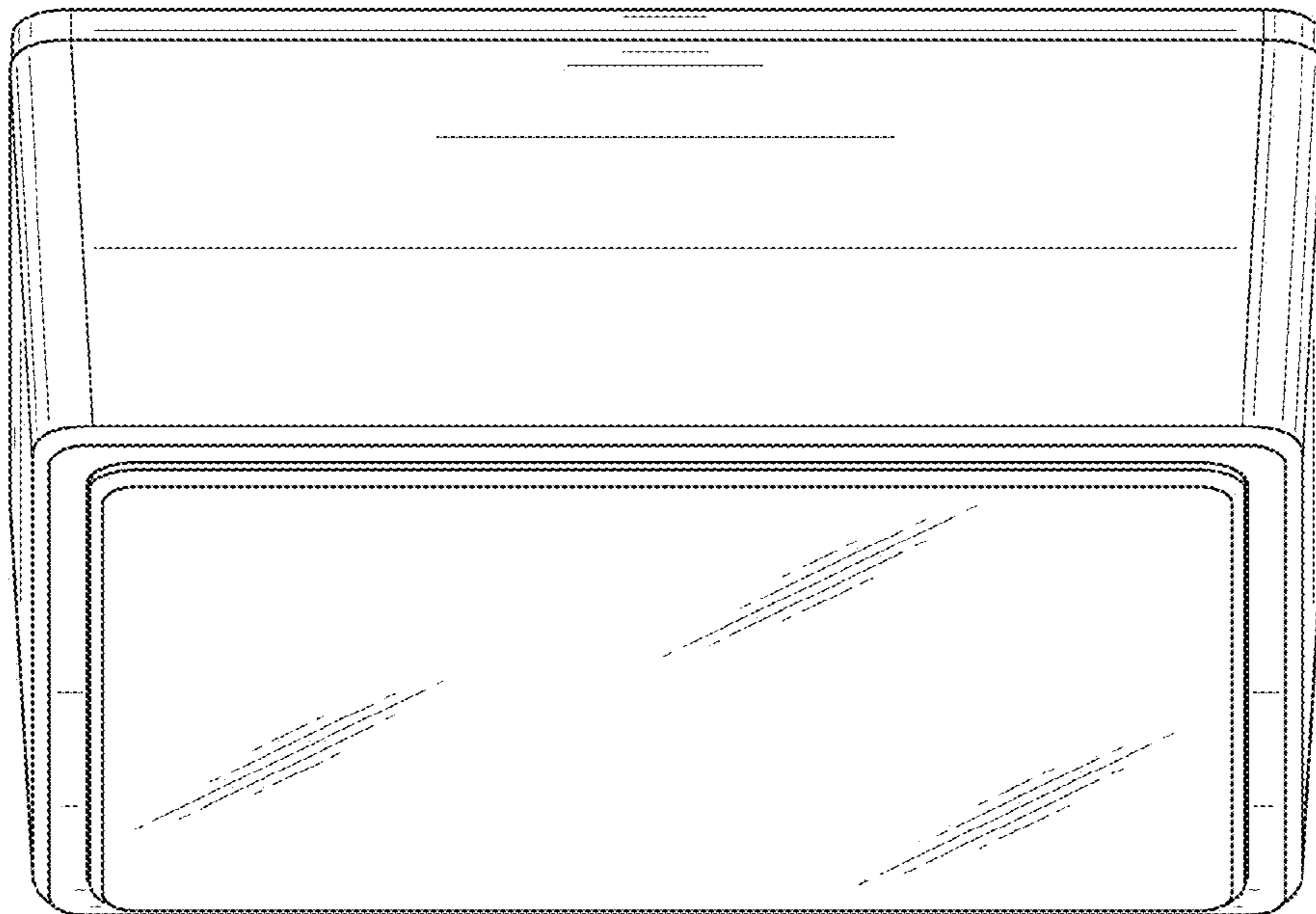


FIG. 6

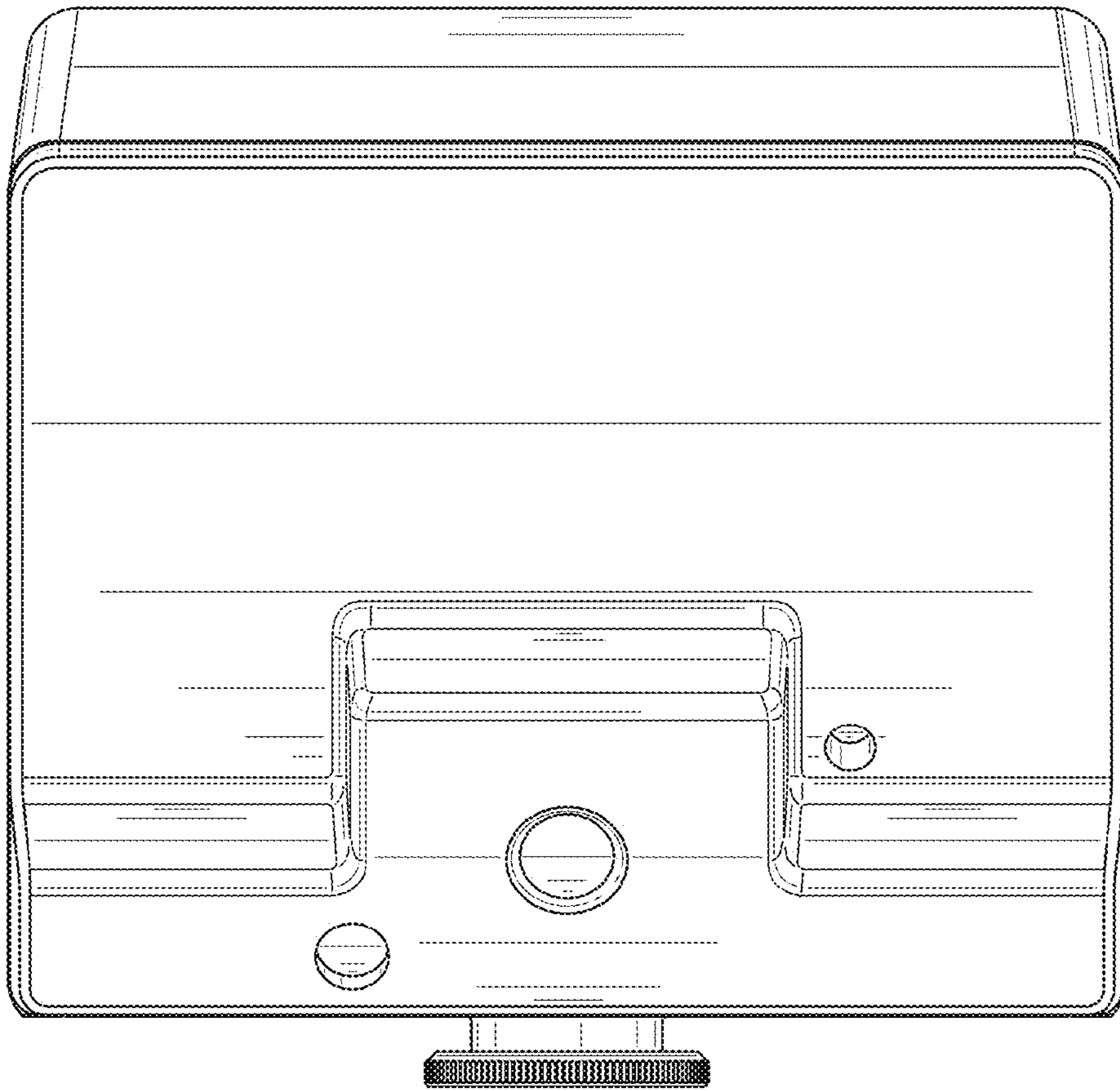


FIG. 7

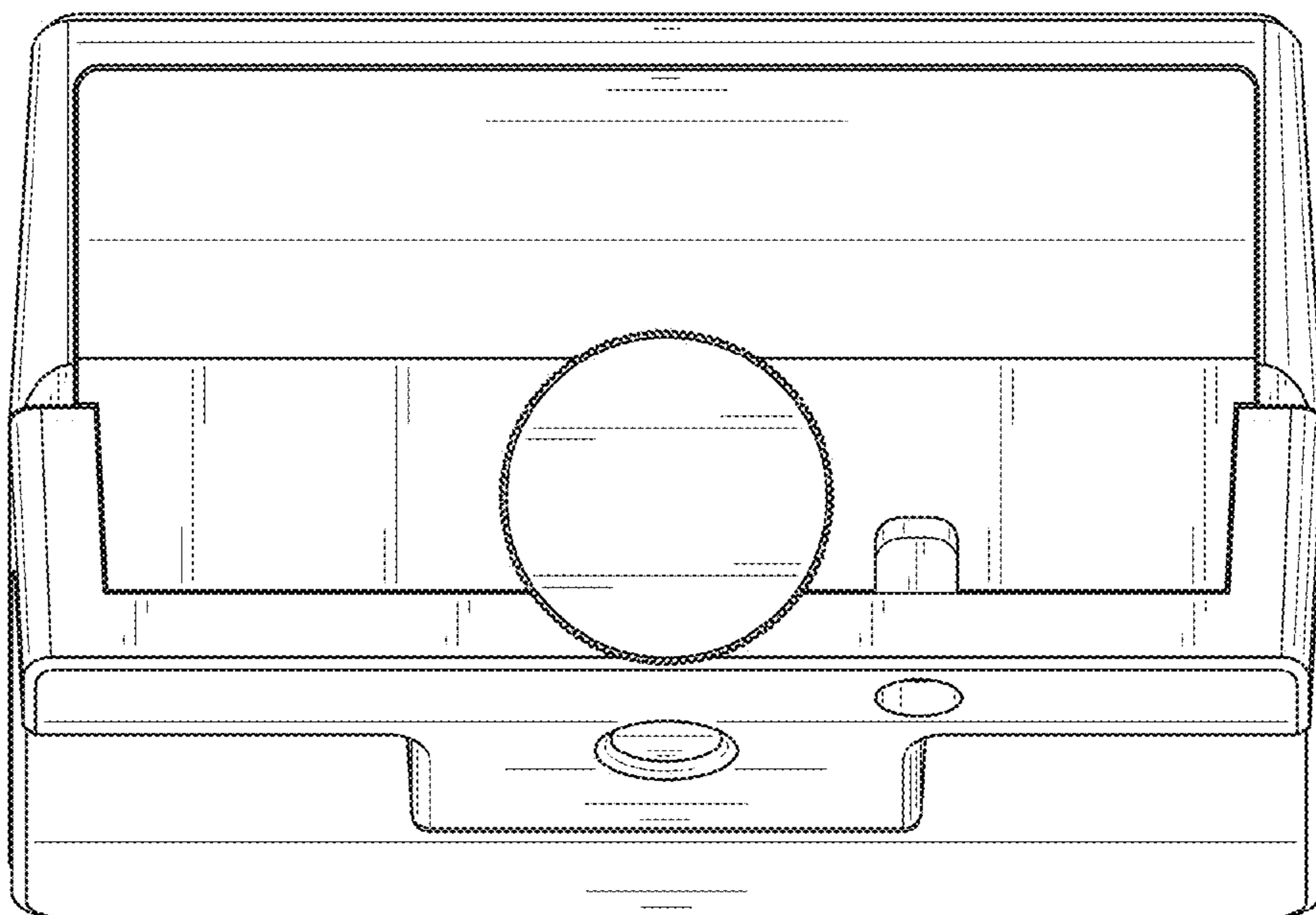


FIG. 8