



US00D941167S

(12) **United States Design Patent**
Omote et al.

(10) **Patent No.:** **US D941,167 S**
(45) **Date of Patent:** **** Jan. 18, 2022**

(54) **VIBRATION SENSOR**

(71) Applicants: **KABUSHIKI KAISHA TOSHIBA**,
Tokyo (JP); **TOSHIBA ELECTRONIC
DEVICES & STORAGE
CORPORATION**, Tokyo (JP)

(72) Inventors: **Hirofumi Omote**, Tokyo (JP); **Ryoji
Ninomiya**, Tokyo (JP)

(73) Assignees: **KABUSHIKI KAISHA TOSHIBA**,
Tokyo (JP); **TOSHIBA ELECTRONIC
DEVICES & STORAGE
CORPORATION**, Tokyo (JP)

(**) Term: **15 Years**

(21) Appl. No.: **29/710,313**

(22) Filed: **Oct. 22, 2019**

(30) **Foreign Application Priority Data**

May 23, 2019 (JP) 2019-011157

(51) **LOC (13) Cl.** **10-04**

(52) **U.S. Cl.**
USPC **D10/83**

(58) **Field of Classification Search**
USPC D10/83
CPC G01H 1/12; G01H 11/02; G01H 11/06;
G01H 17/00; G01H 1/00; G01H 11/08;
G01N 29/2462; G01N 29/2468; H01L
41/053; H01L 41/113; H02K 35/04
See application file for complete search history.

(56) **References Cited**

U.S. PATENT DOCUMENTS

5,633,811 A * 5/1997 Canada G01H 1/00
702/190
5,943,634 A * 8/1999 Piety B23Q 17/12
702/56

6,202,491 B1 * 3/2001 McCarty G01D 9/005
73/659
8,296,103 B2 * 10/2012 Son G01H 1/00
702/183
9,099,635 B2 * 8/2015 Nakamura B06B 1/0629
D738,755 S 9/2015 Druce
D750,519 S * 3/2016 Leigh G01D 9/005
D10/83
D787,355 S * 5/2017 Lim G01D 9/005
D10/83
D845,160 S * 4/2019 Stray G01H 1/00
D10/83

FOREIGN PATENT DOCUMENTS

JP 1468073 5/2013
JP 1471419 6/2013

* cited by examiner

Primary Examiner — Antoine Duval Davis

(74) *Attorney, Agent, or Firm* — Jeffri A. Kaminski;
Venable LLP

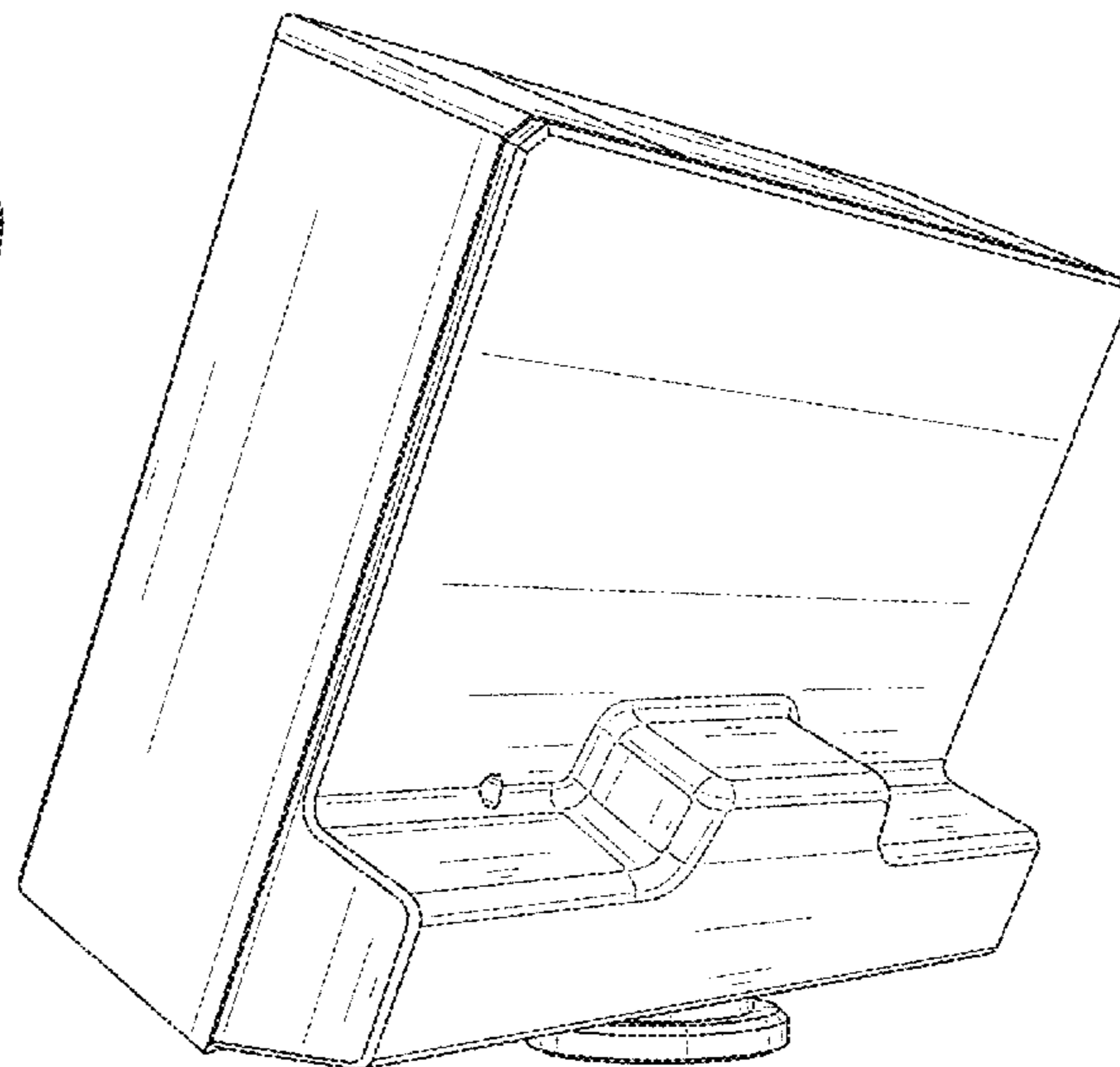
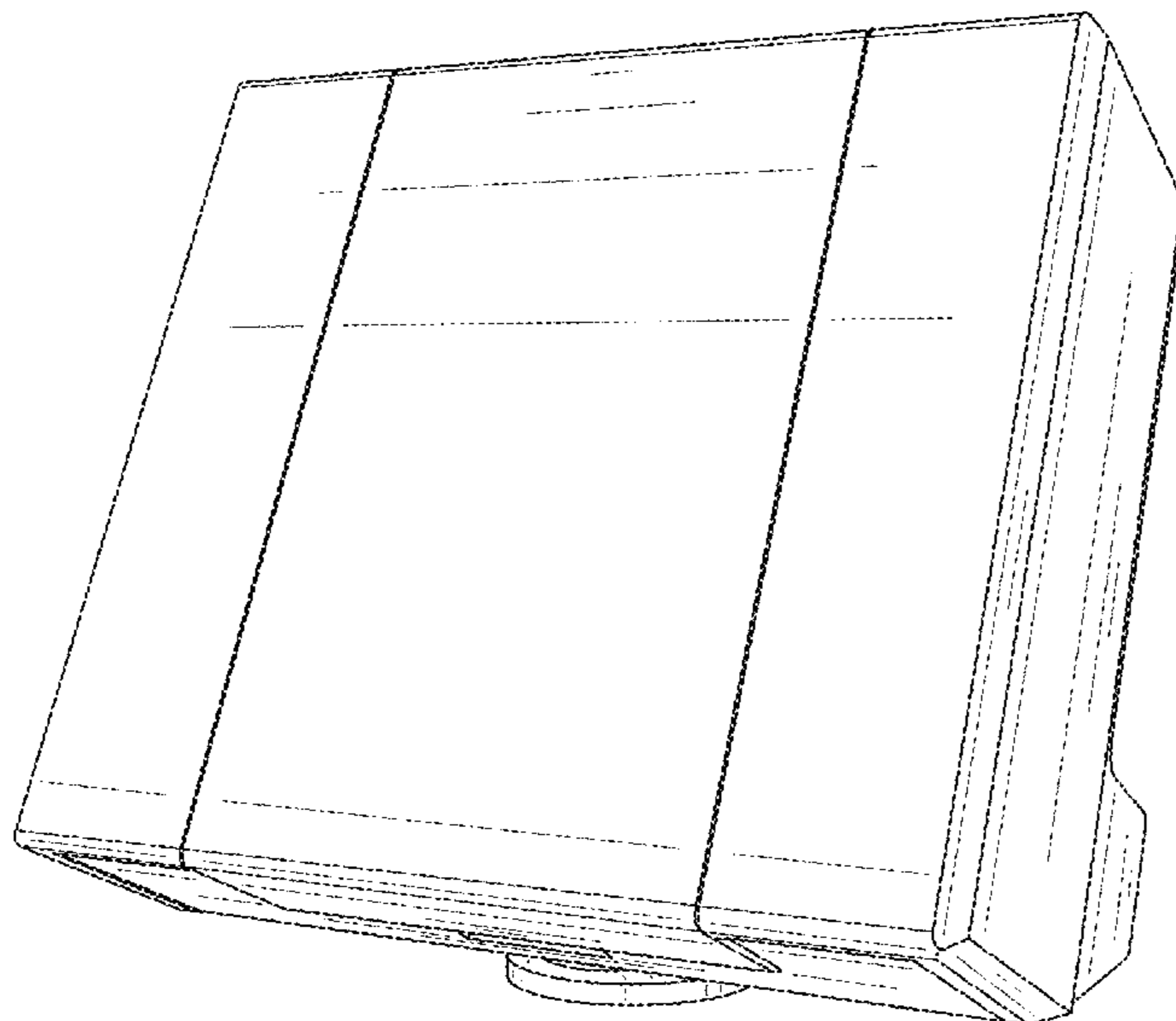
(57) **CLAIM**

The ornamental design for a vibration sensor, as shown and described.

DESCRIPTION

FIG. 1 is a front perspective view of the vibration sensor, according to an embodiment of the new design; FIG. 2 is a rear perspective view thereof; FIG. 3 is a front view thereof; FIG. 4 is a right side view thereof; FIG. 5 is a left side view thereof; FIG. 6 is a top view thereof; FIG. 7 is a rear view thereof; and, FIG. 8 is a bottom view thereof.

1 Claim, 4 Drawing Sheets



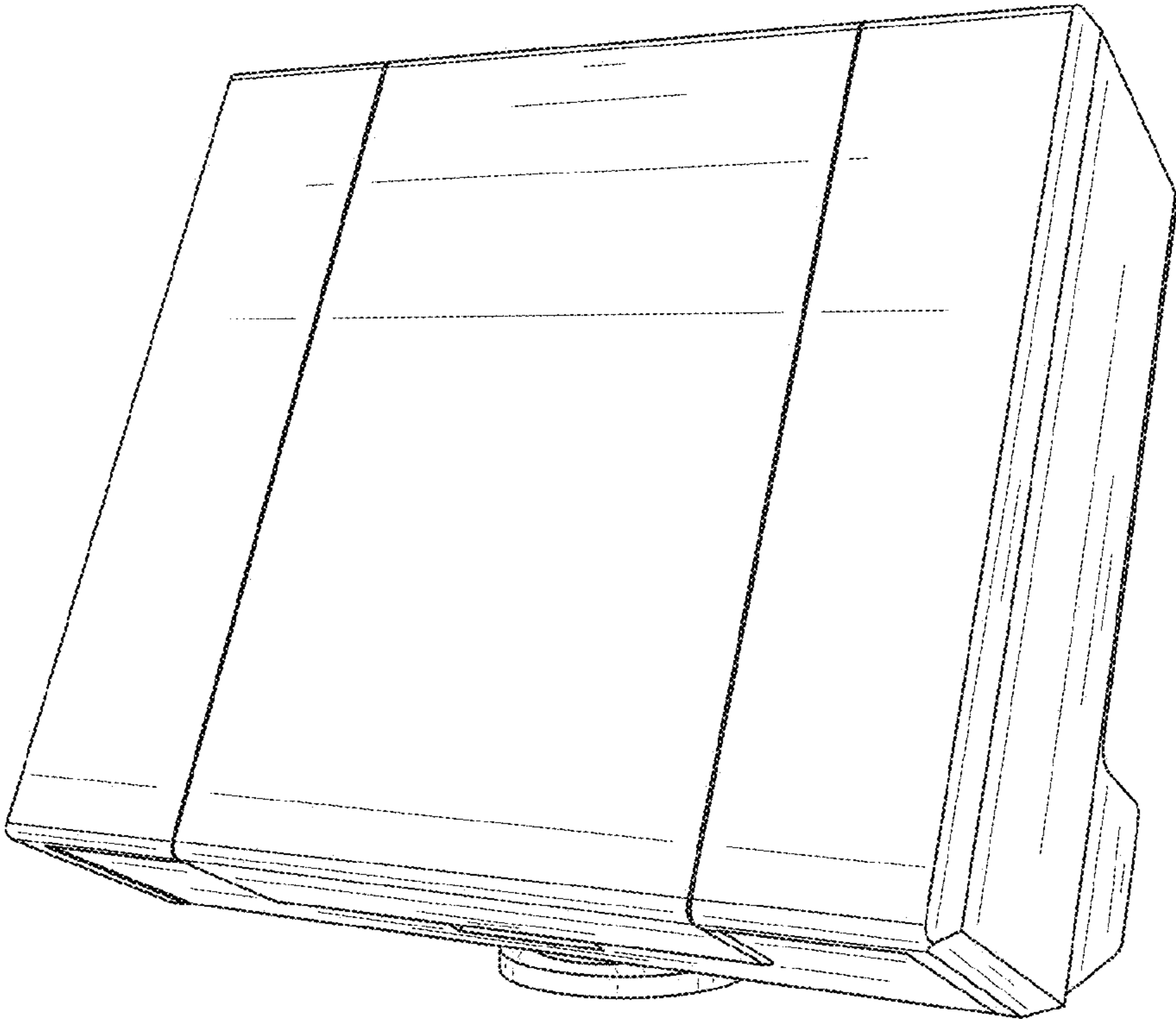


FIG. 1

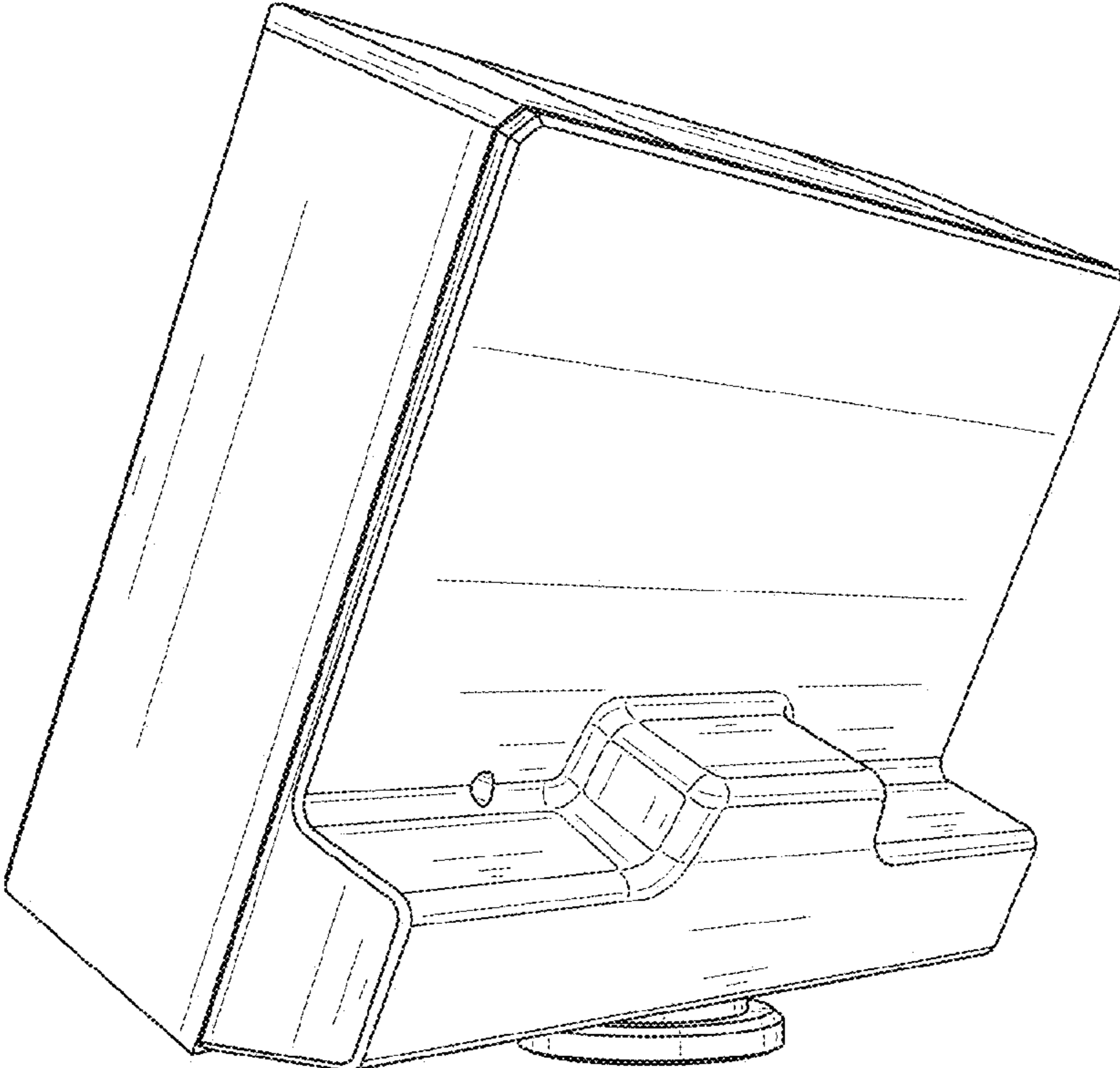


FIG. 2

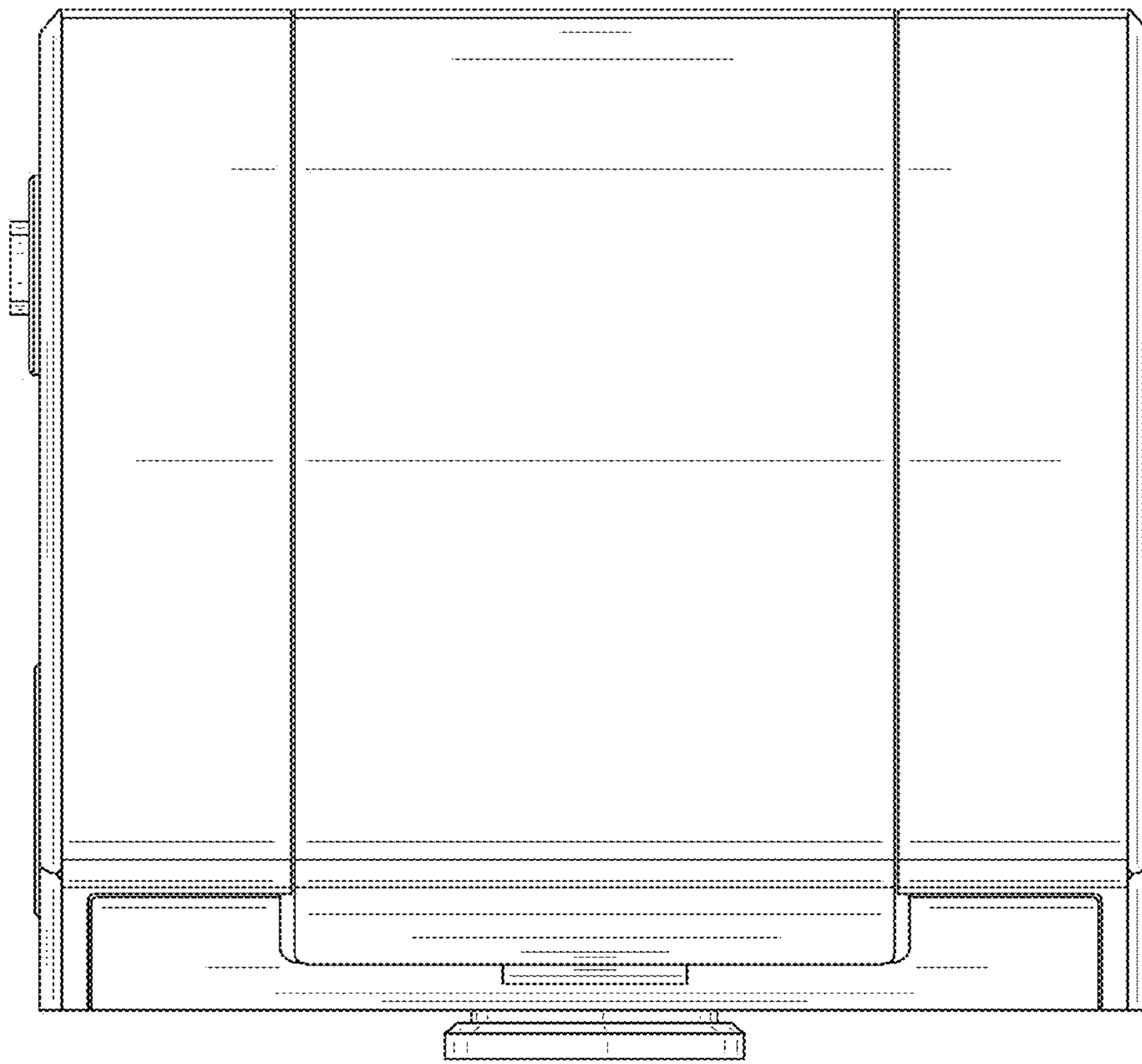


FIG. 3

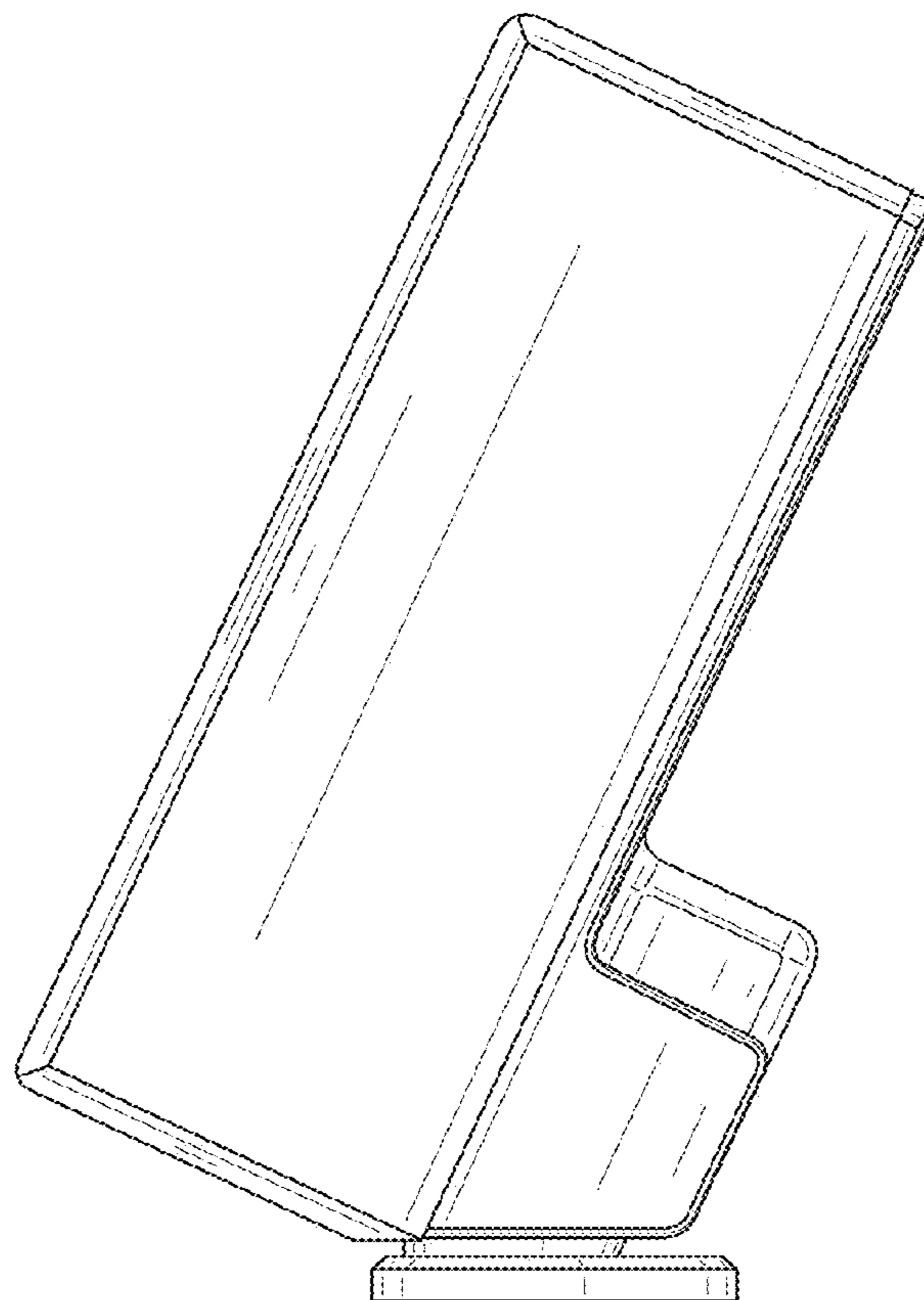


FIG. 4

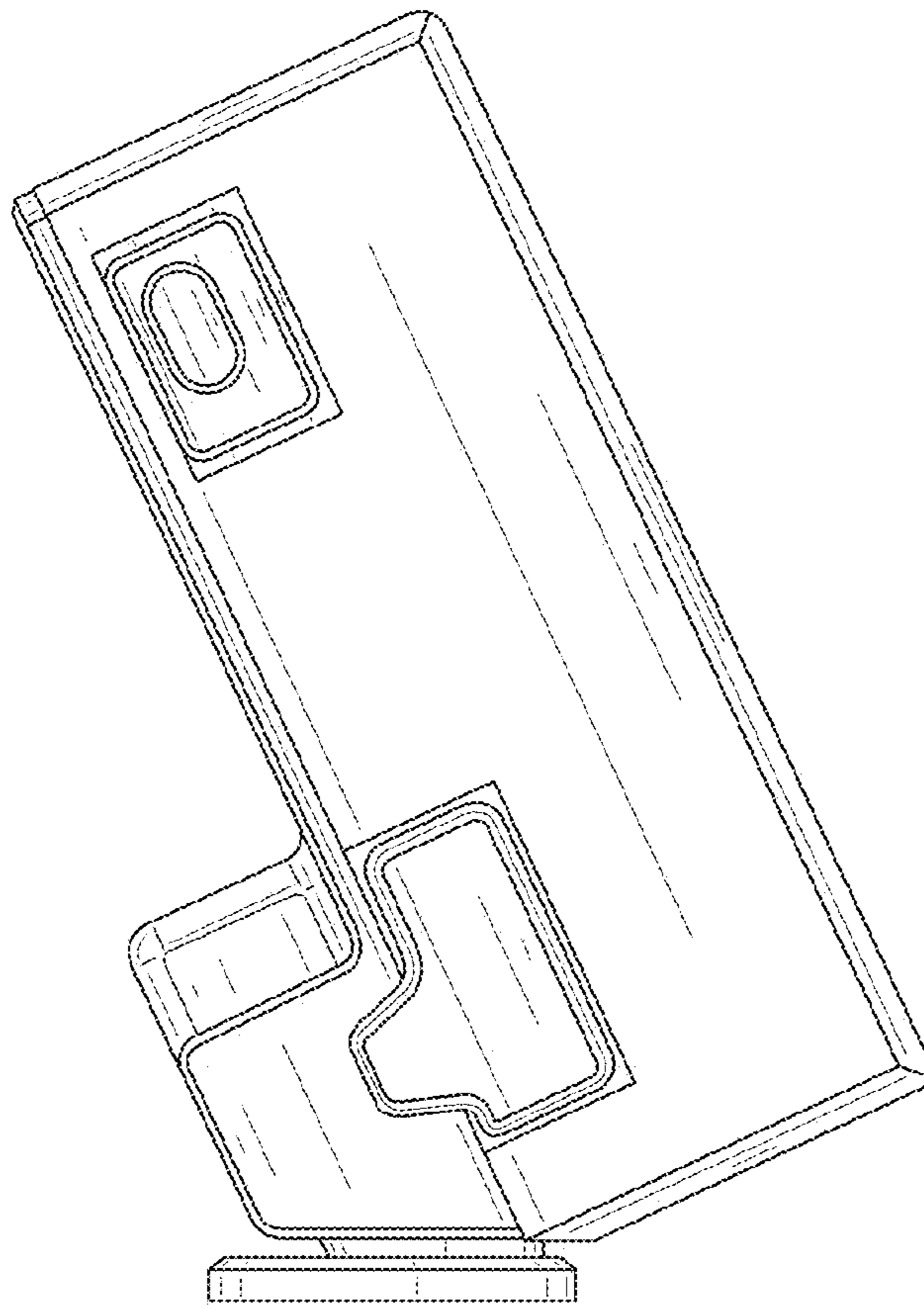


FIG. 5

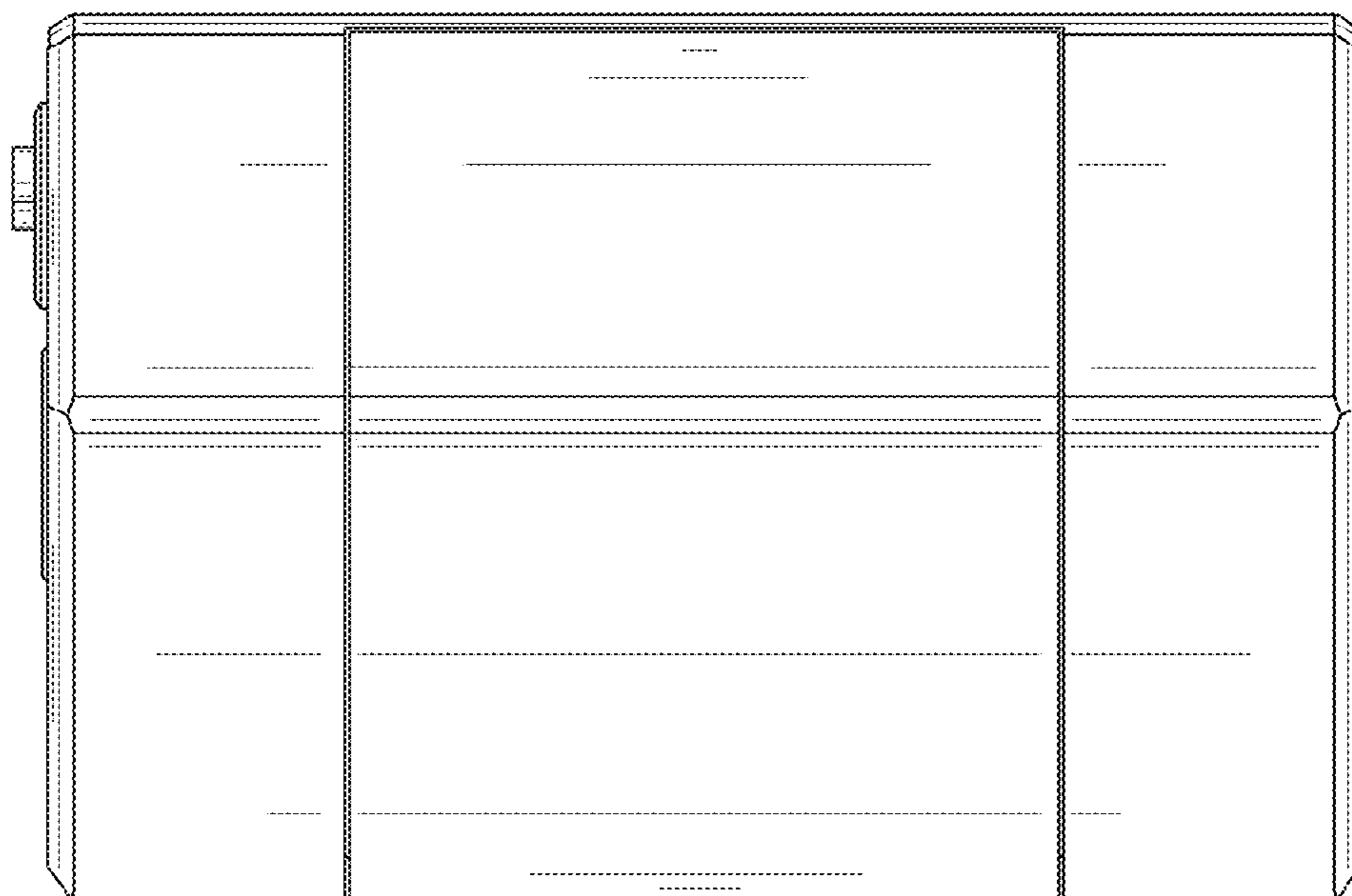


FIG. 6

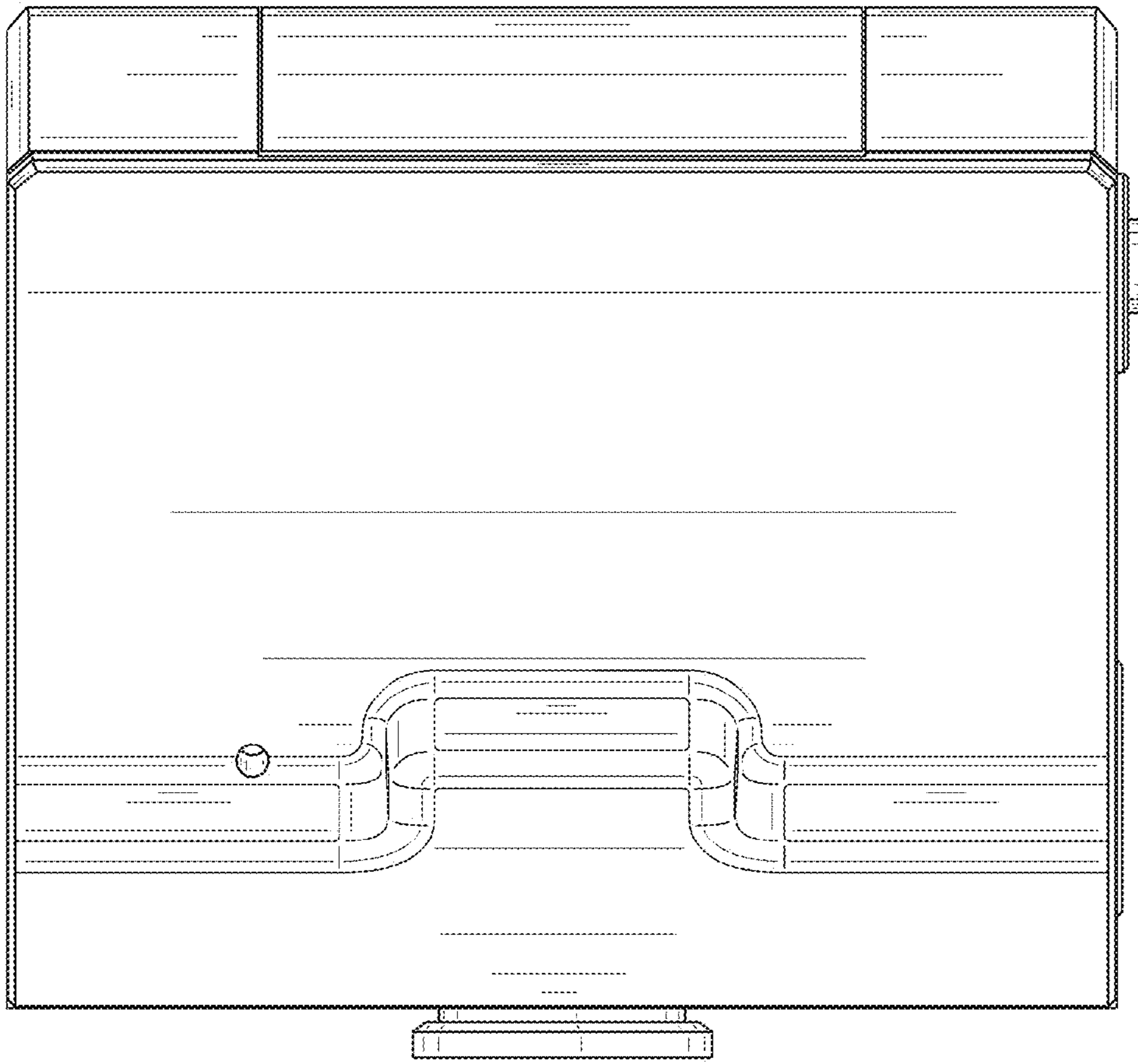


FIG. 7

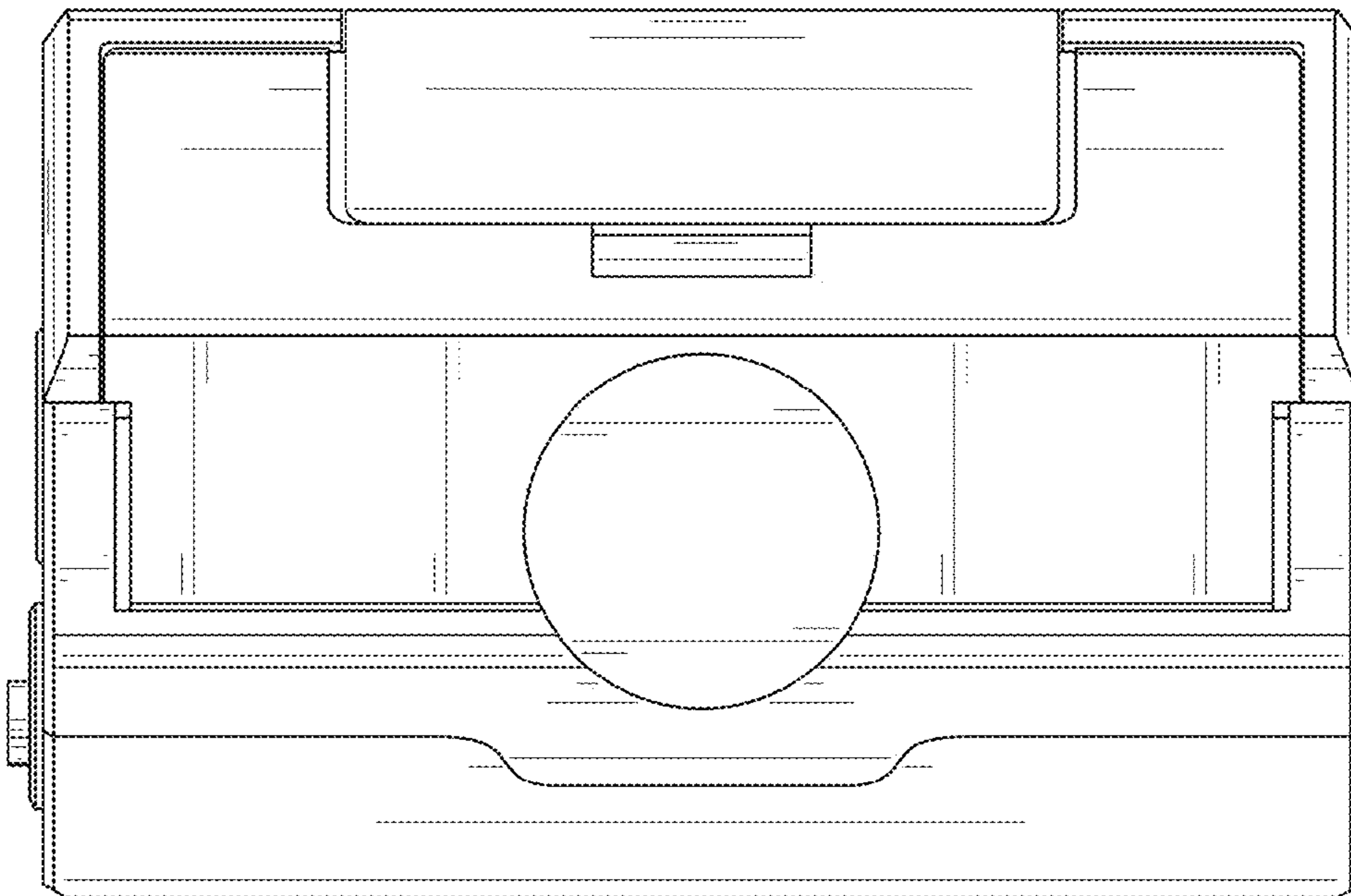


FIG. 8