



US00D941162S

(12) **United States Design Patent**
Yu

(10) **Patent No.:** **US D941,162 S**
(45) **Date of Patent:** **** Jan. 18, 2022**

(54) **WATER TIMER**

(71) Applicant: **Yefeng Yu**, Chengguan Town (CN)

(72) Inventor: **Yefeng Yu**, Chengguan Town (CN)

(**) Term: **15 Years**

(21) Appl. No.: **29/749,504**

(22) Filed: **Sep. 5, 2020**

(51) **LOC (13) Cl.** **10-03**

(52) **U.S. Cl.**
USPC **D10/40**

(58) **Field of Classification Search**
USPC D10/40-41, 46, 49, 96; D13/162.1, 184;
D23/214
CPC A01G 25/16; A01G 25/165; G05B
2219/2625

See application file for complete search history.

(56) **References Cited**

U.S. PATENT DOCUMENTS

D430,044 S *	8/2000	Clivio	D10/40
D431,195 S *	9/2000	Clivio	D10/40
D485,502 S *	1/2004	Clivio	A01G 25/165
				D10/40
D605,961 S *	12/2009	Tsou	D10/100
D630,952 S *	1/2011	Nies	D10/40
D642,077 S	7/2011	Nies et al.		
D643,755 S	8/2011	Nies et al.		
D647,411 S	10/2011	Barton et al.		
D657,263 S	4/2012	Nies et al.		
D657,264 S	4/2012	Nies et al.		
D682,714 S	5/2013	Barton et al.		
D682,715 S *	5/2013	Wang	D10/40
D714,663 S *	10/2014	Chandran	D10/40
D744,961 S *	12/2015	Franchini	D13/162.1
D857,529 S *	8/2019	Rodriguez	D10/49
10,602,682 B1 *	3/2020	Wardle	G05D 7/0652
D896,105 S *	9/2020	Xu	D10/40

10,959,385 B1 *	3/2021	Chen	E03B 7/04
D924,700 S *	7/2021	Xu	D10/40
2018/0160636 A1 *	6/2018	Hester	G05B 19/042
2021/0267145 A1 *	9/2021	Chen	A01G 25/165

OTHER PUBLICATIONS

Diivoo Automatic Sprinkler Timer | amazon.com; date first available Jan. 2021 [online], © 1996-2021, Amazon.com, Inc [retrieved Sep. 3, 2021] from Internet: <<https://www.amazon.com/Diivoo-Automatic-Sprinkler-Irrigation-Waterproof/dp/B08TQQB1M6>> (Year: 2021).*

* cited by examiner

Primary Examiner — Katherine Glennon
(74) *Attorney, Agent, or Firm* — Law Offices of Steven W. Weinrieb

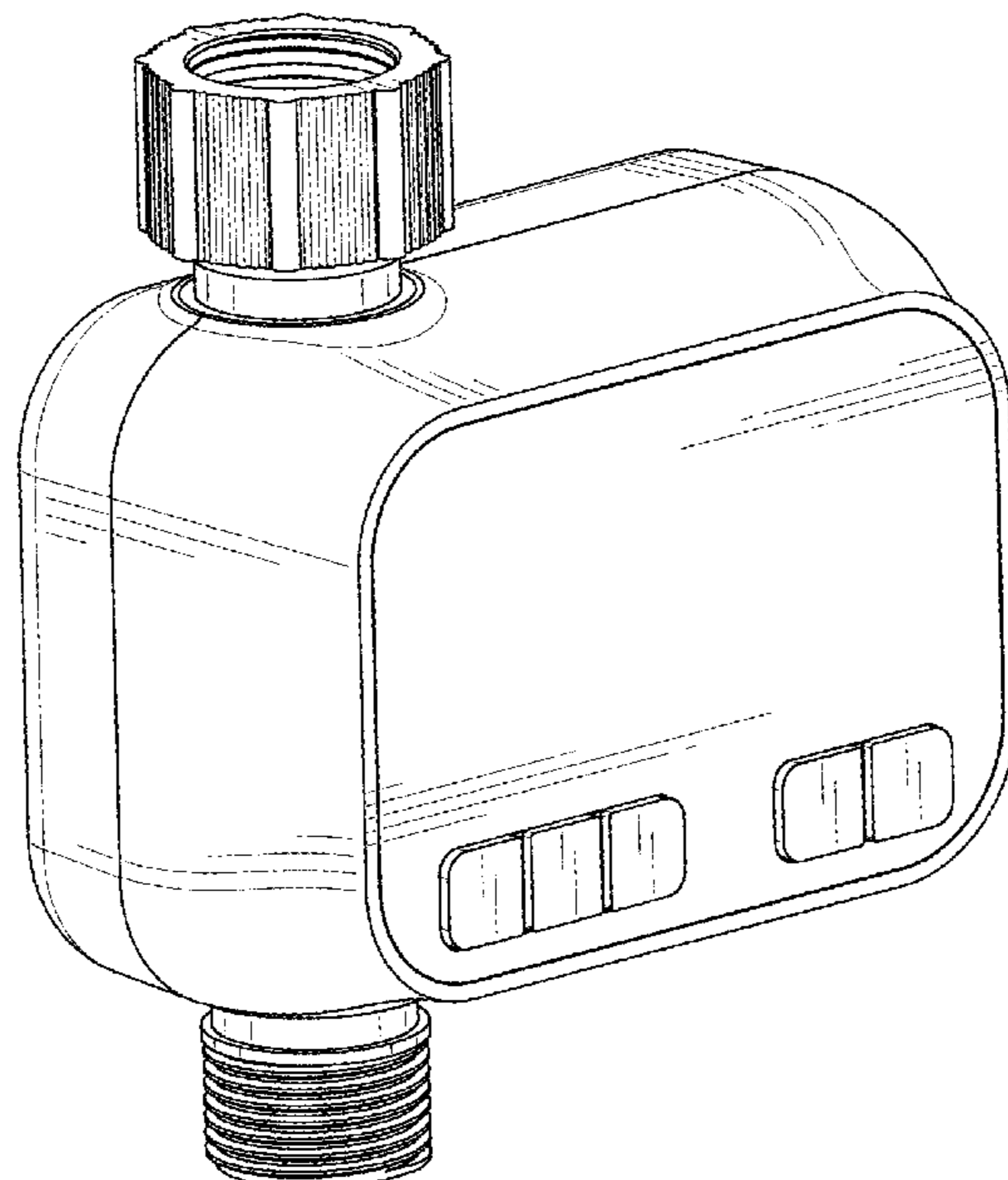
(57) **CLAIM**

The ornamental design for a water timer, as shown and described.

DESCRIPTION

FIG. 1 is a front, left side, top perspective view of a water timer showing my new design;
FIG. 2 is a rear, right side, bottom perspective view thereof;
FIG. 3 is a front elevational view thereof;
FIG. 4 is a rear elevational view thereof;
FIG. 5 is a left side elevational view thereof;
FIG. 6 is a right side elevational view thereof;
FIG. 7 is a top plan view thereof; and,
FIG. 8 is a bottom plan view thereof.
The broken lines depict portions of the water timer that form no part of the claimed design.

1 Claim, 8 Drawing Sheets



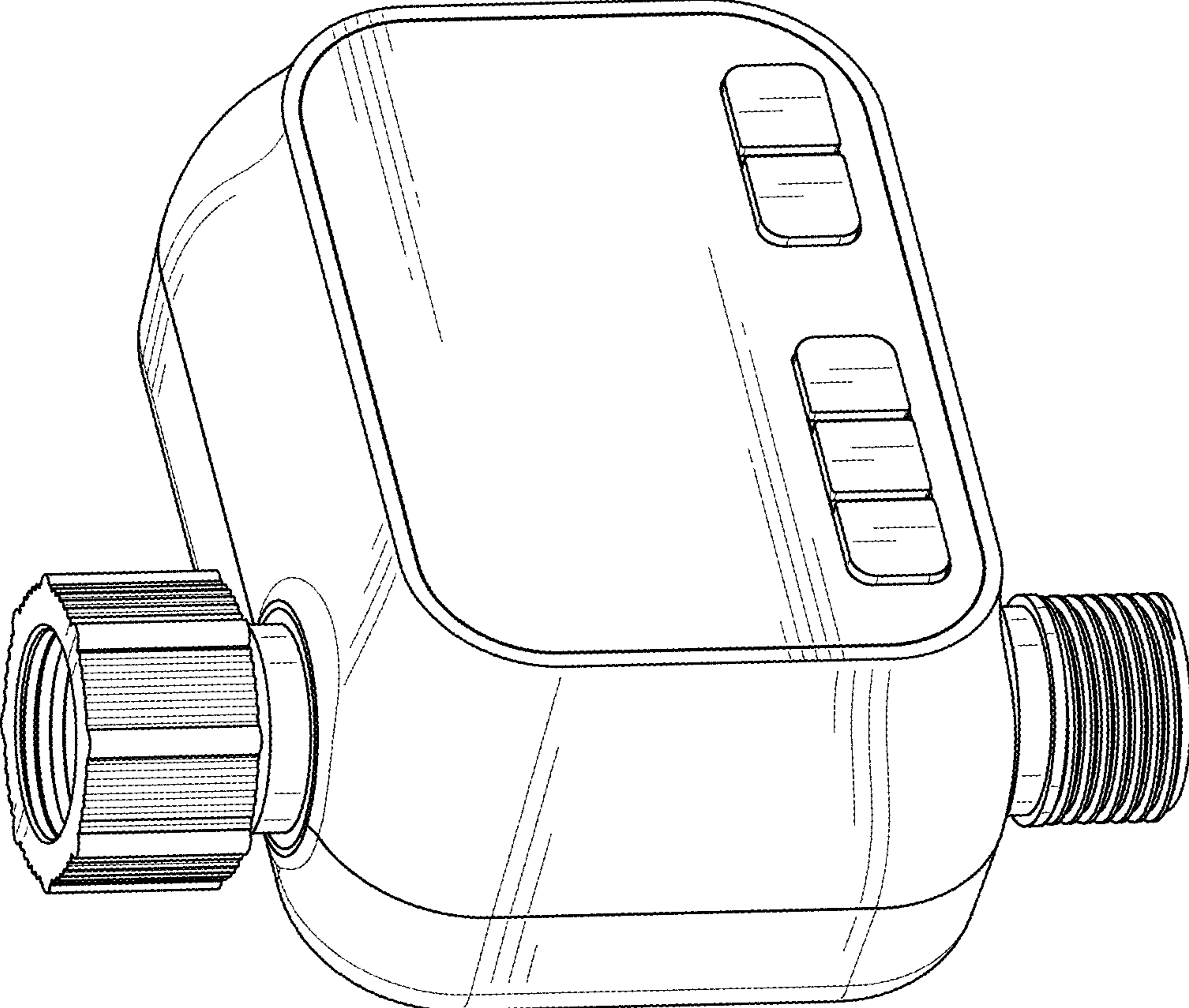


FIG.1

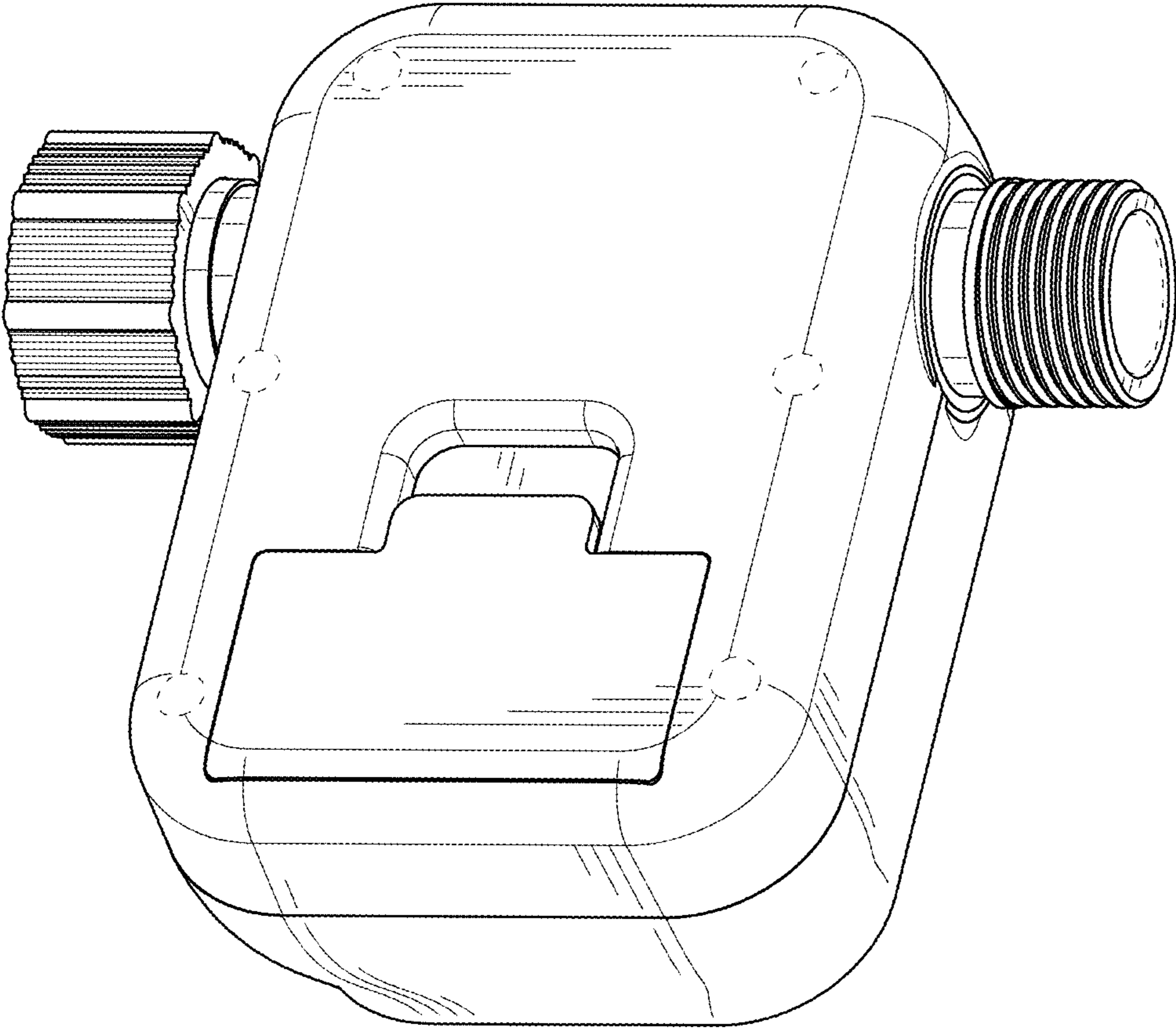


FIG.2

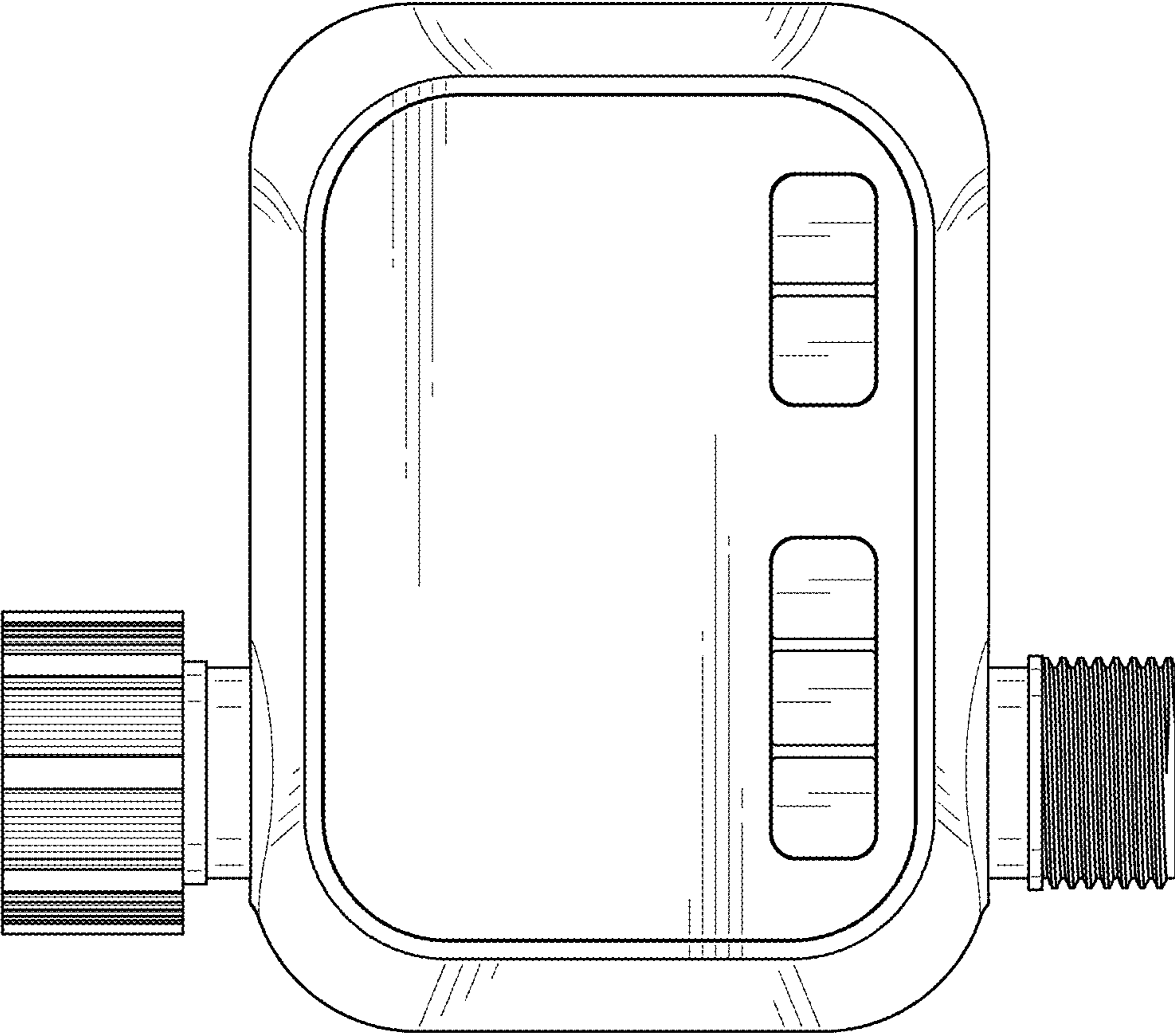


FIG.3

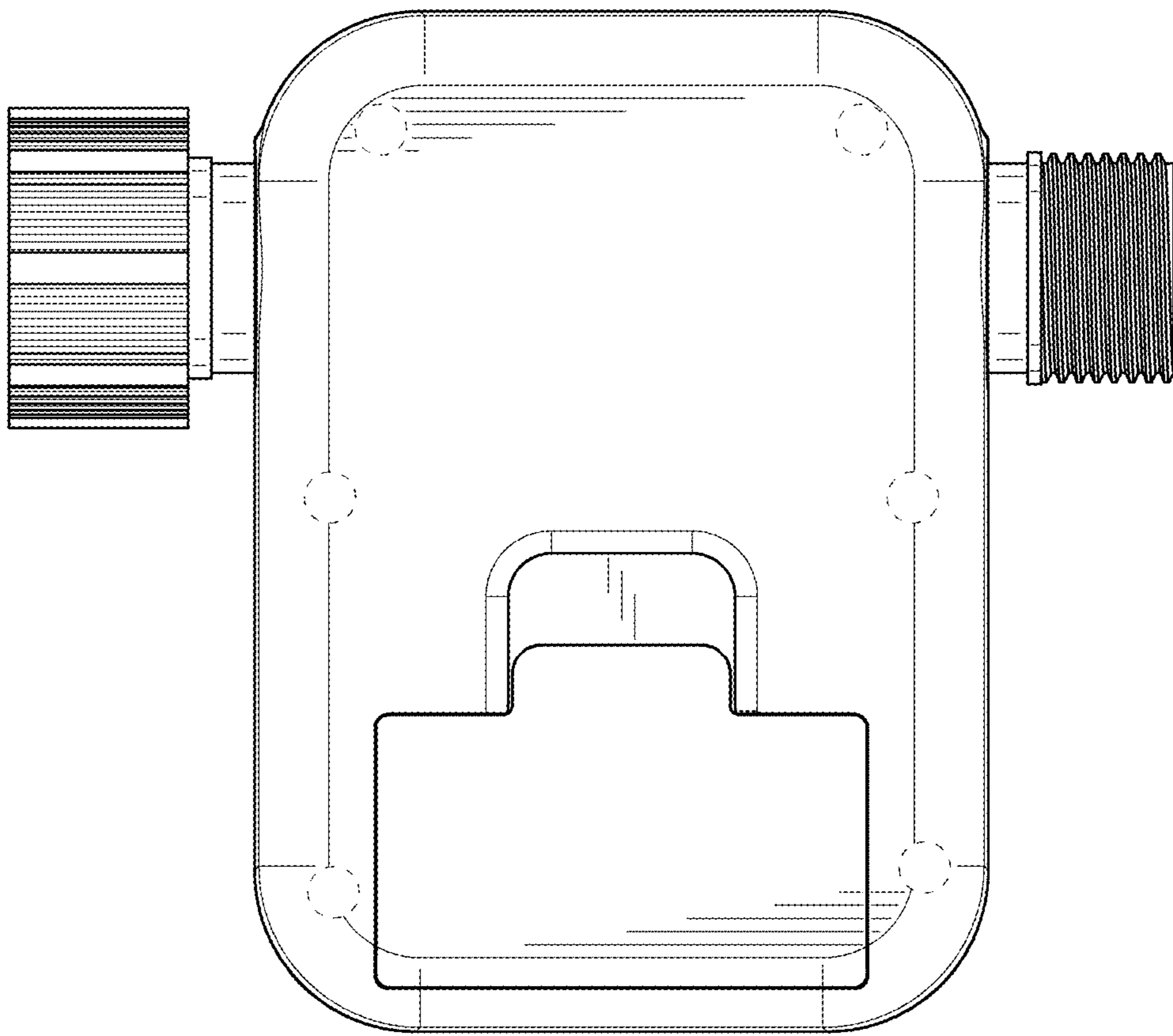


FIG. 4

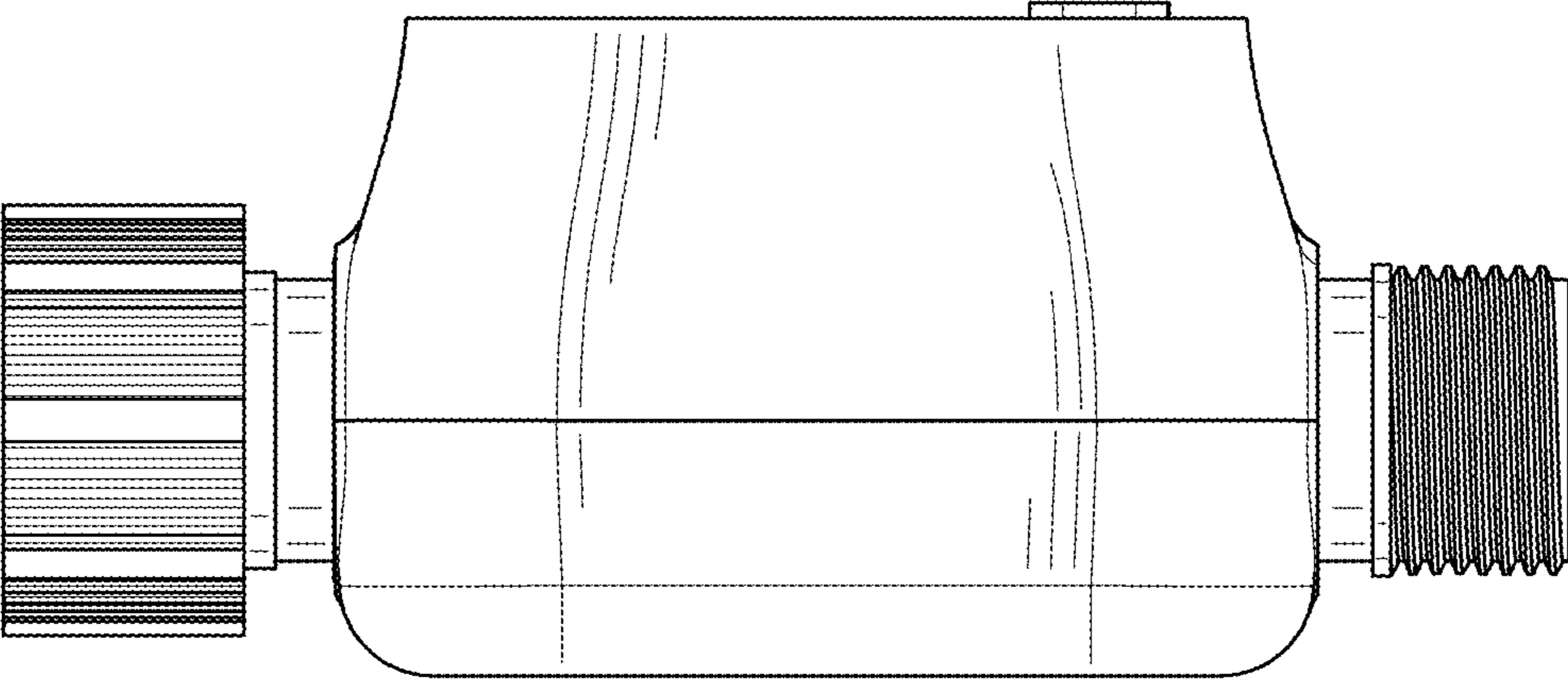


FIG. 5

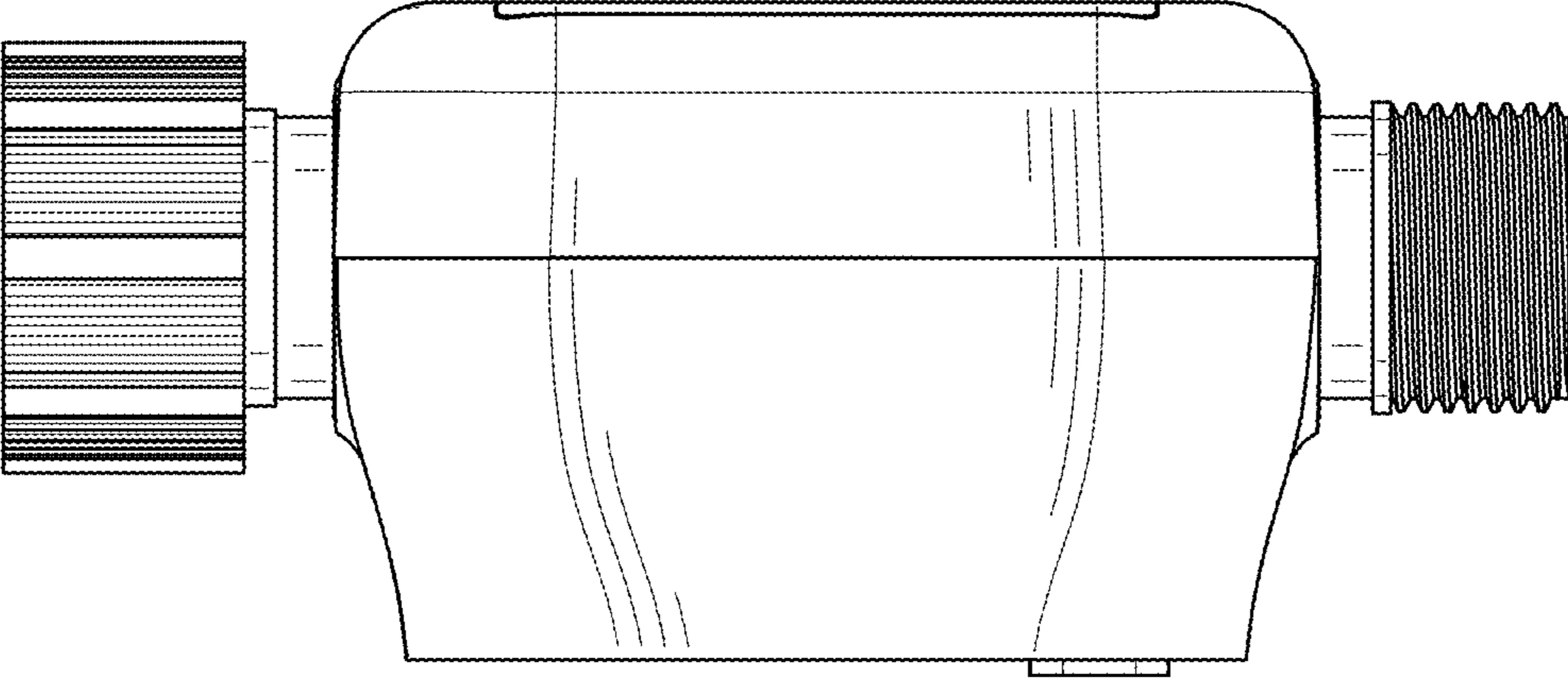


FIG.6

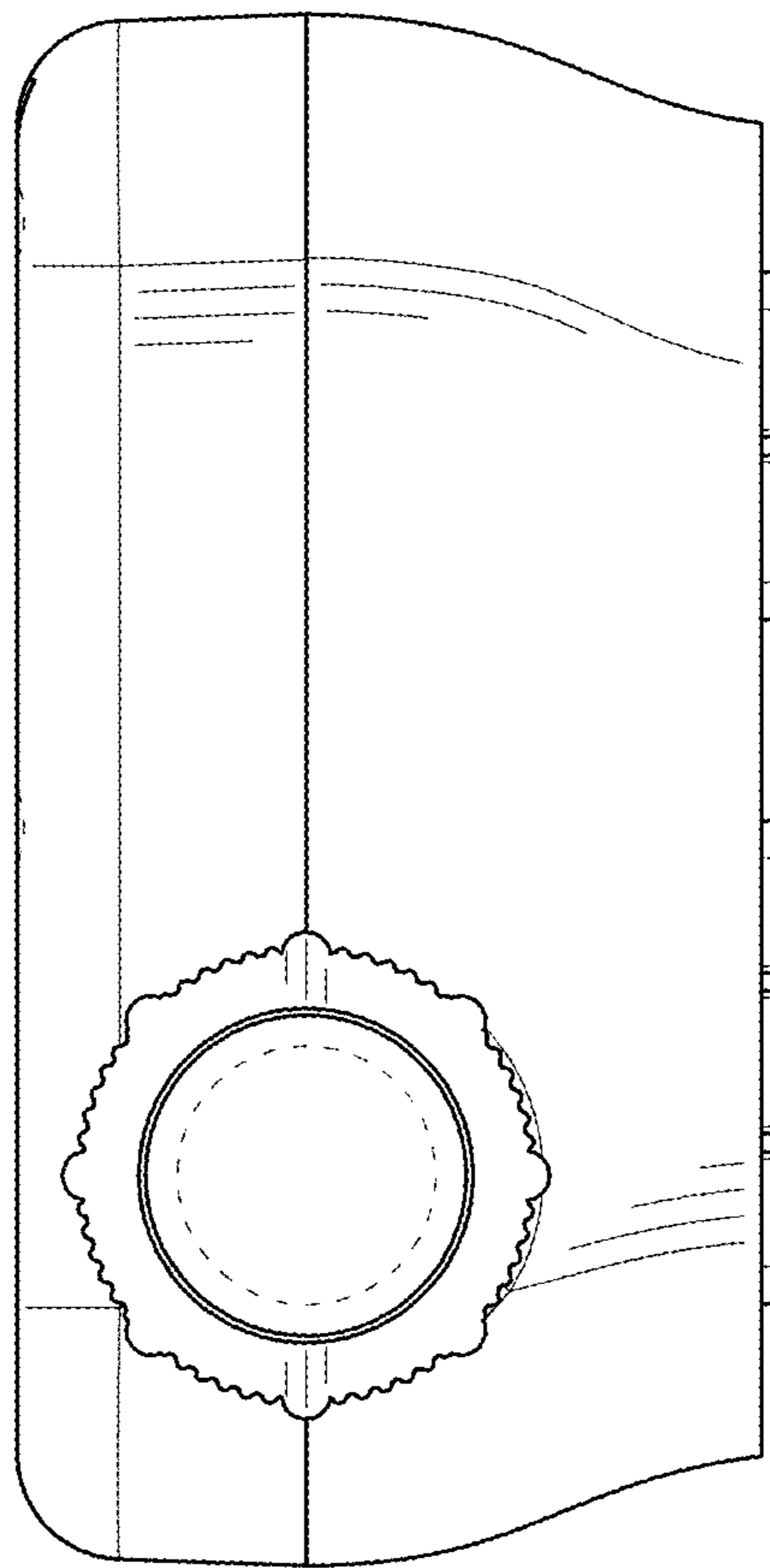


FIG. 7

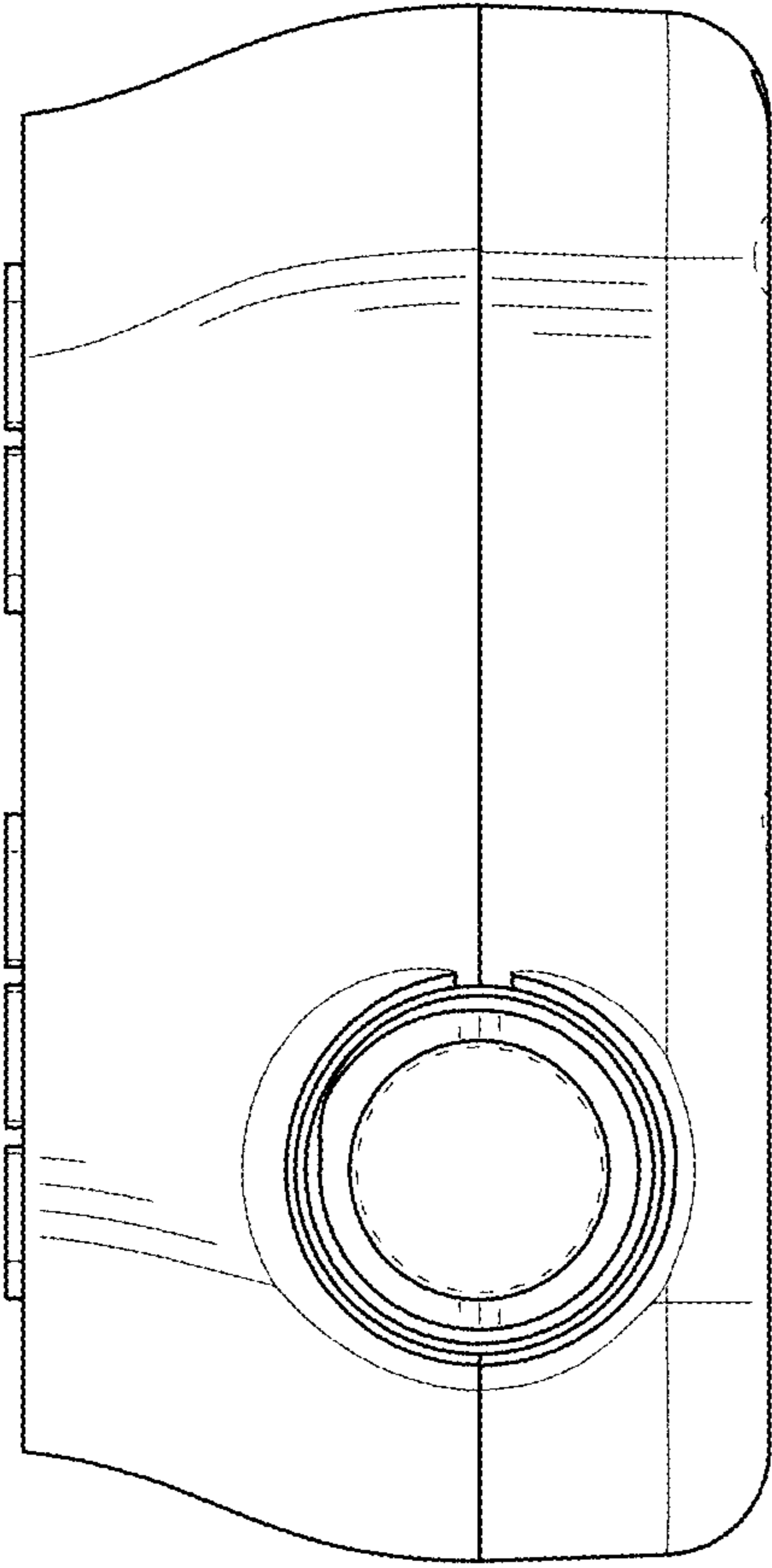


FIG. 8