

US00D941154S

(12) **United States Design Patent** (10) **Patent No.:** **US D941,154 S**
Kwapis et al. (45) **Date of Patent:** **** Jan. 18, 2022**

(54) **DISPENSER AND DROPPER CO-PACK ASSEMBLY**

FOREIGN PATENT DOCUMENTS

(71) Applicant: **Fusion Packaging I, LP**, Dallas, TX (US)

CN 304703494 * 6/2018
EM 000087176-0001 * 2/2004

(Continued)

(72) Inventors: **Alexander L. Kwapis**, Dallas, TX (US); **Daniel M. Dominski**, Flower Mound, TX (US)

Primary Examiner — Catherine A Tuttle
(74) *Attorney, Agent, or Firm* — Carrington, Coleman, Sloman & Blumenthal, L.L.P.

(73) Assignee: **Fusion Packaging I, LLC**, Dallas, TX (US)

(57) **CLAIM**

(**) Term: **15 Years**

We claim the ornamental design for a dispenser and dropper co-pack assembly, as shown and described.

(21) Appl. No.: **29/655,486**

(22) Filed: **Jul. 3, 2018**

DESCRIPTION

(51) **LOC (13) Cl.** **09-01**

(52) **U.S. Cl.**

USPC **D9/684**; D9/688; D9/724

(58) **Field of Classification Search**

USPC D9/682-694, 715, 719, 723-730, 737, D9/738, 741, 745-747, 504; D28/76, 77, D28/82, 86, 91, 91.1

CPC .. B65D 83/14-759; B05B 11/00-3098; A45D 34/02; A45D 34/04; A45D 34/06; A45D 2034/002; A45D 2034/005; A45D 2034/007; A45D 2200/054-058; A45D 40/00; A45D 40/26

See application file for complete search history.

FIG. 1 is a top, front, perspective view of a dispenser and dropper co-pack assembly showing my new design.

FIG. 2 is a front elevation view thereof;

FIG. 3 is a rear elevation view thereof;

FIG. 4 is a right side view thereof;

FIG. 5 is a left side view thereof;

FIG. 6 is a top plan view thereof;

FIG. 7 is a bottom plan view thereof;

FIG. 8 is an upper perspective partial exploded view thereof, exhibiting the elements or portions thereof that are concealed in FIGS. 1-7, namely: the dispenser actuator, dropper, and dropper actuating diaphragm.

FIG. 9 is an exploded bottom perspective view thereof; and, FIG. 10 is a cross-sectional view of the lower diaphragm element, taken along line 10-10 of FIG. 8.

Reference is made to the drawings for an appreciation of the features of the co-pack assembly, including a dispenser atop which fits a cap, and below which fits a dropper, below which is a convex diaphragm.

The broken lines in FIGS. 8 and 9 depict the portions of the dropper and co-pack assembly that form no part of the claimed design.

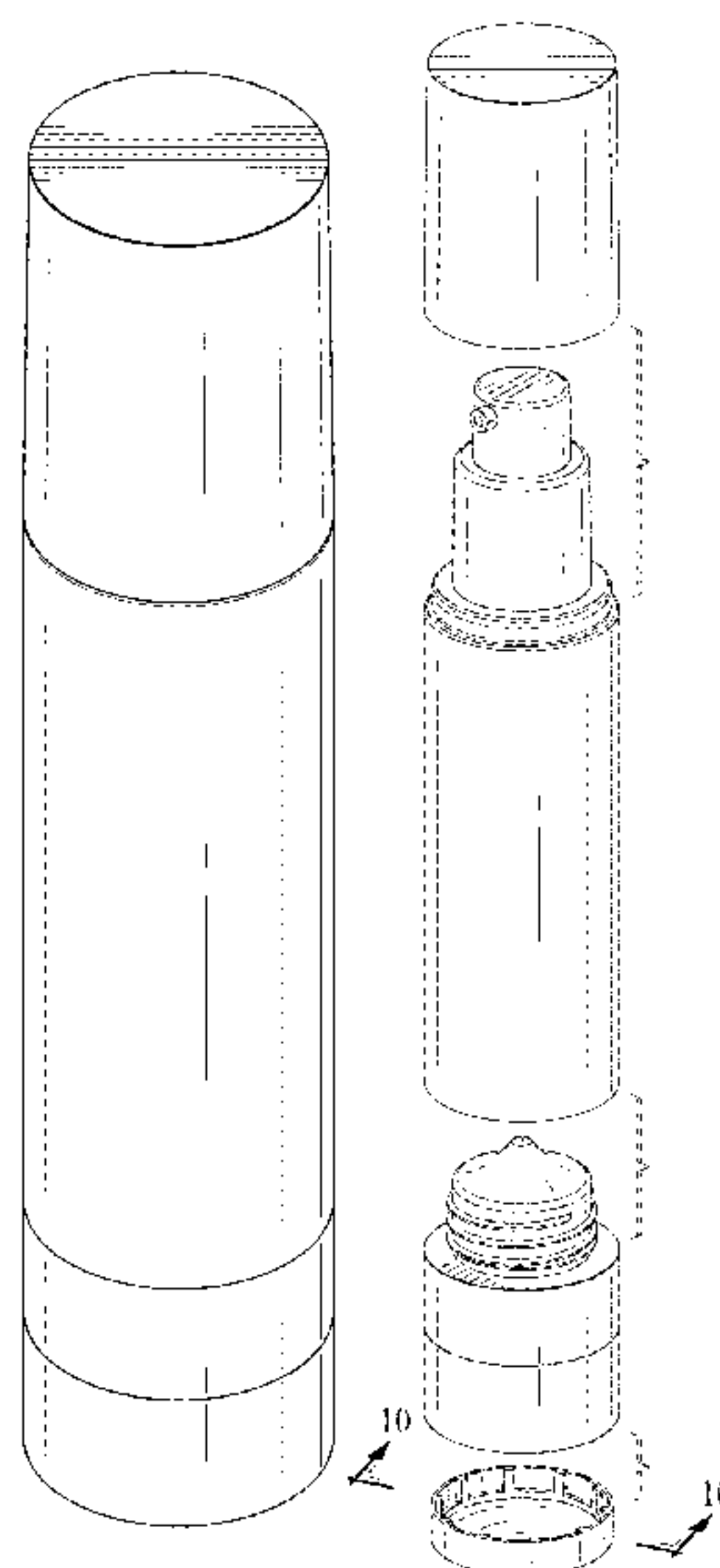
(56) **References Cited**

U.S. PATENT DOCUMENTS

5,460,300 A * 10/1995 Tritsch B05B 9/0822 222/401
5,526,960 A * 6/1996 Breidenbach A45D 34/02 222/183
D429,845 S * 8/2000 Lang D24/119
6,394,987 B1 * 5/2002 Sandlin A61L 2/18 206/362

(Continued)

1 Claim, 7 Drawing Sheets



(56)

References Cited

U.S. PATENT DOCUMENTS

6,474,861 B1 * 11/2002 De Laforcade B05B 11/0078
 206/219
 D486,270 S * 2/2004 Kurumada D28/76
 D708,961 S * 7/2014 Jung D9/723
 D840,246 S * 2/2019 Shalev D9/684
 D846,995 S * 4/2019 El Beaini D9/684
 D856,814 S * 8/2019 Villarreal D9/688
 2003/0152410 A1 * 8/2003 Huang A46B 15/0055
 401/19
 2009/0123212 A1 * 5/2009 Landow A45D 40/24
 401/17
 2009/0236374 A1 * 9/2009 Pardes B05B 11/3032
 222/494
 2014/0332559 A1 * 11/2014 Ritzenhoff B67D 1/105
 222/144.5
 2016/0007718 A1 * 1/2016 Villarreal A45D 40/28
 401/117

FOREIGN PATENT DOCUMENTS

EM 01850223-0001 * 4/2011
 EP 3034177 A1 * 6/2016 B05B 11/0038
 KR 300533516.0000 * 7/2009
 KR 300601125.0000 * 6/2011
 KR 300805658.0000 * 7/2015
 KR 300960325.0000 * 6/2018
 KR 300964589.0000 * 7/2018
 WO WO-2016080685 A1 * 5/2016 B65D 81/32
 WO WO-2017115992 A1 * 7/2017 A45D 34/041
 WO WO-2017164445 A1 * 9/2017 B65D 81/32
 WO WO-2019212205 A1 * 11/2019 A45D 34/04

* cited by examiner

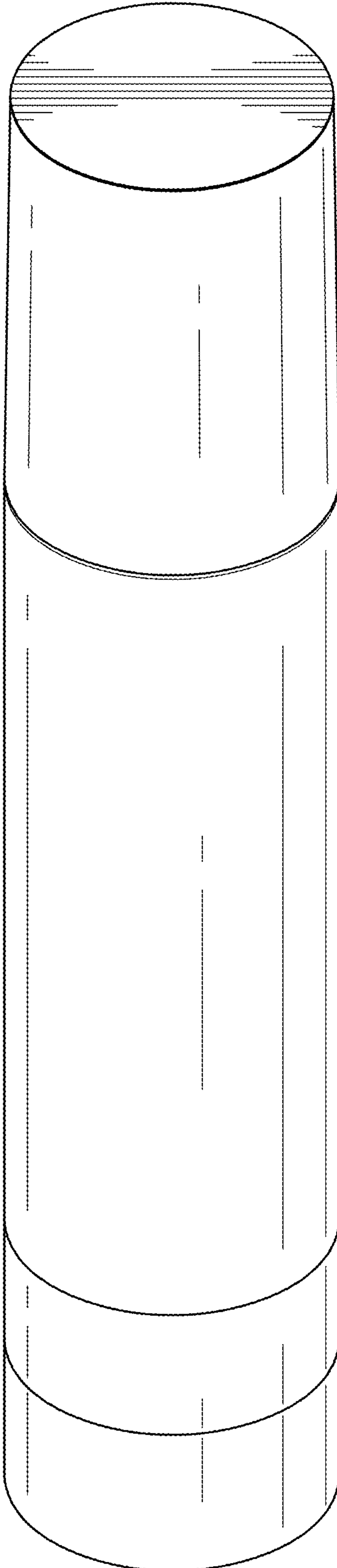


FIG. 1

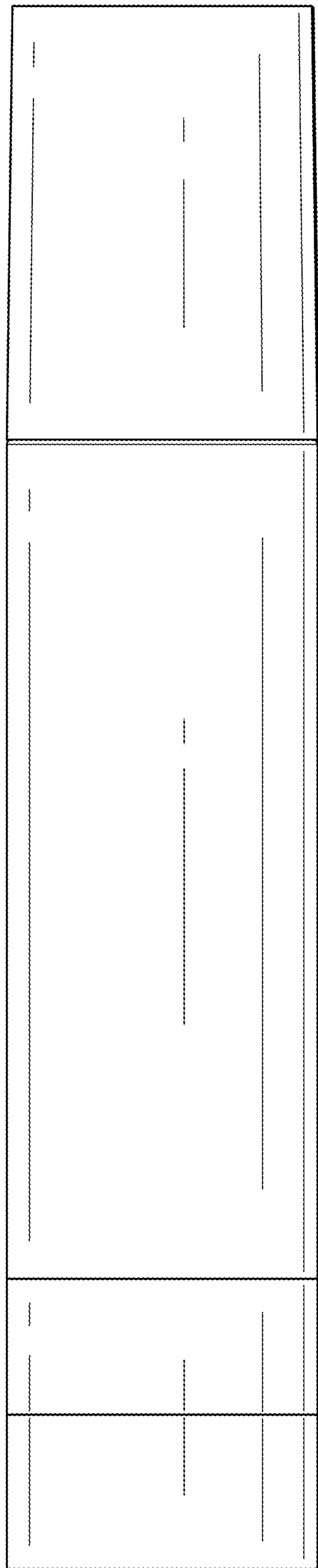


FIG. 2

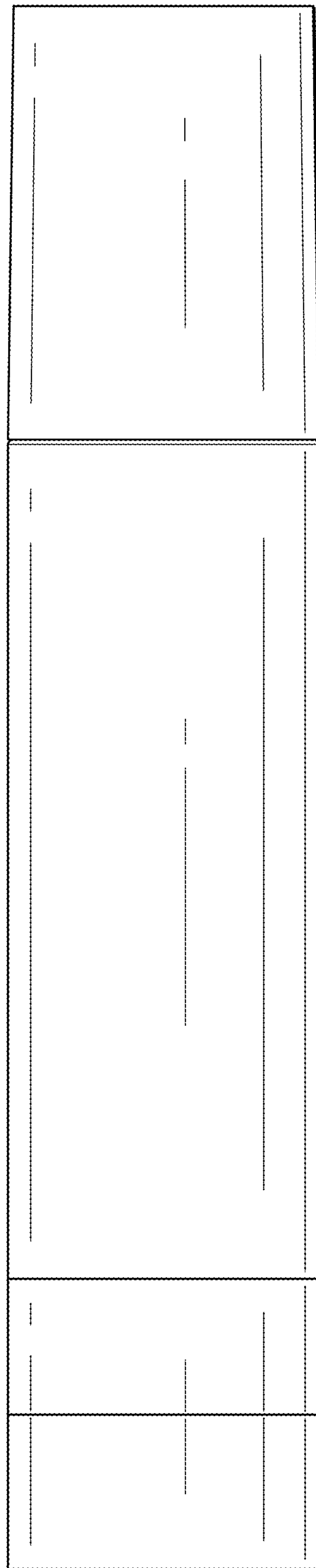


FIG. 3

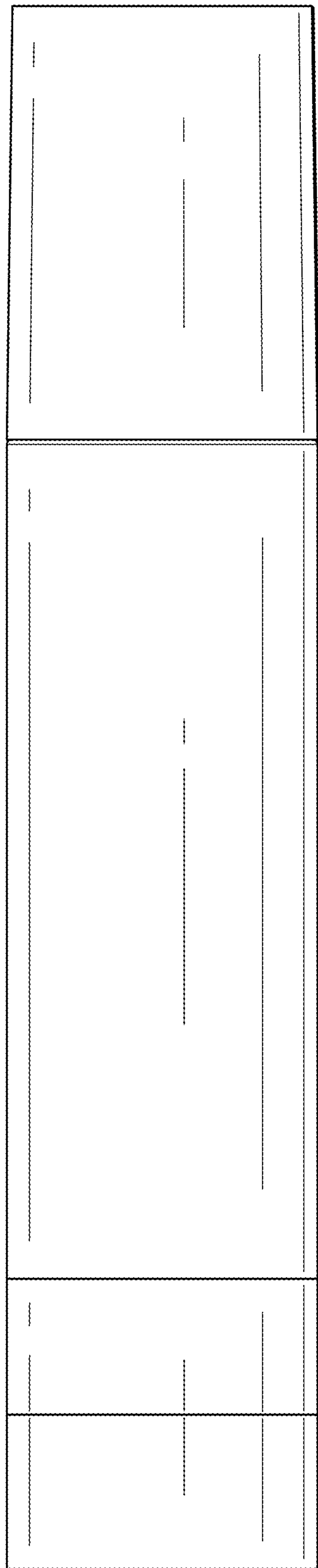


FIG. 4

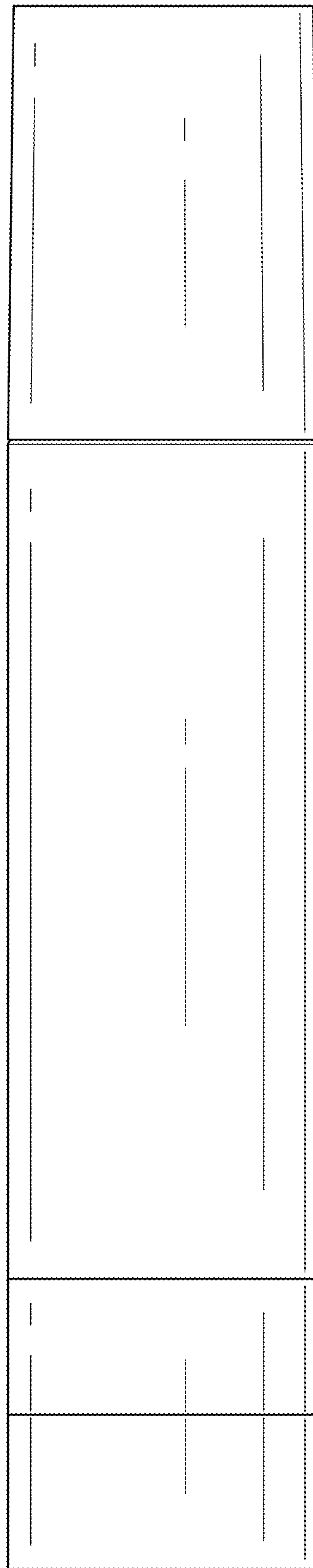


FIG. 5

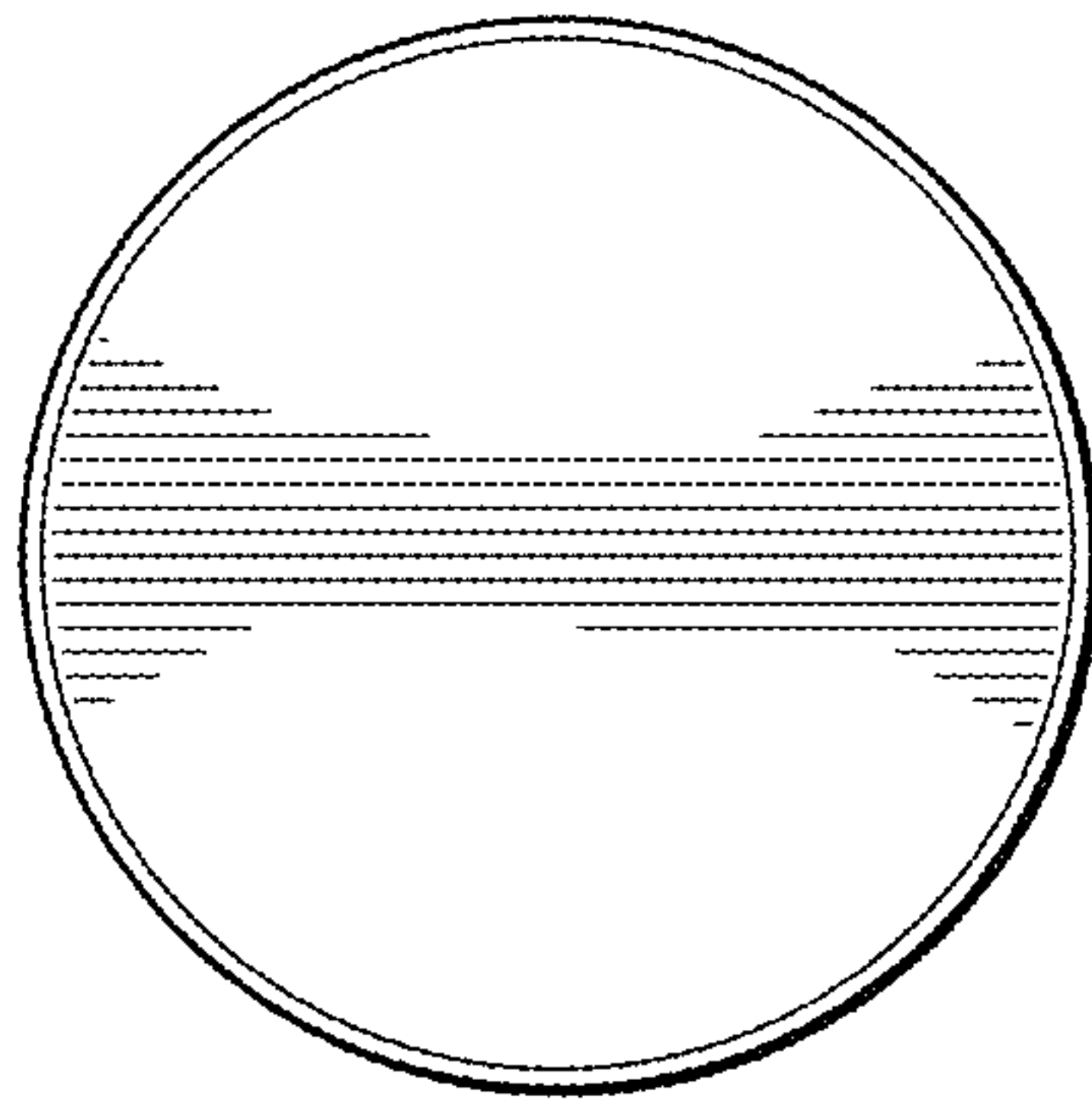


FIG. 6

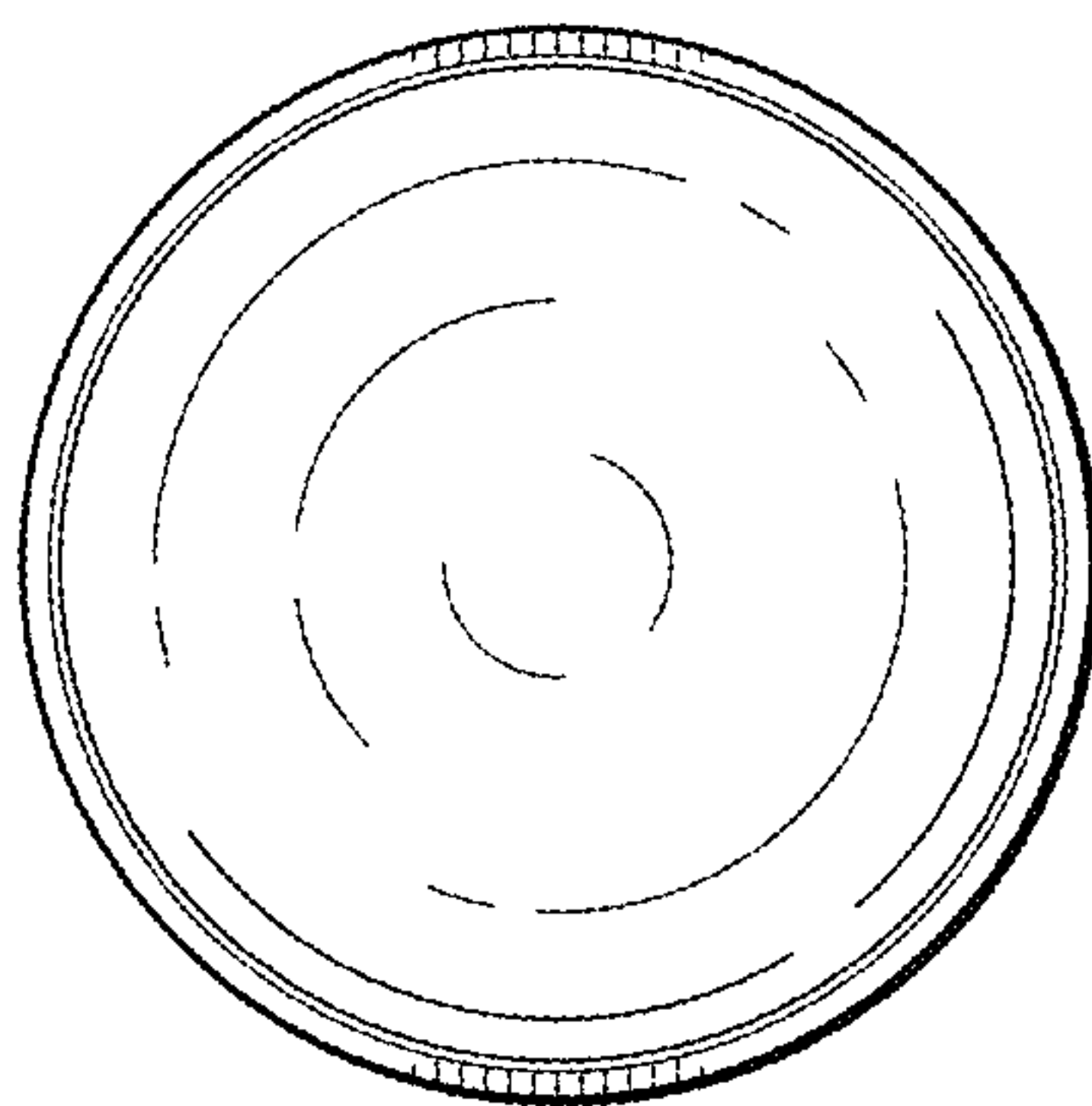
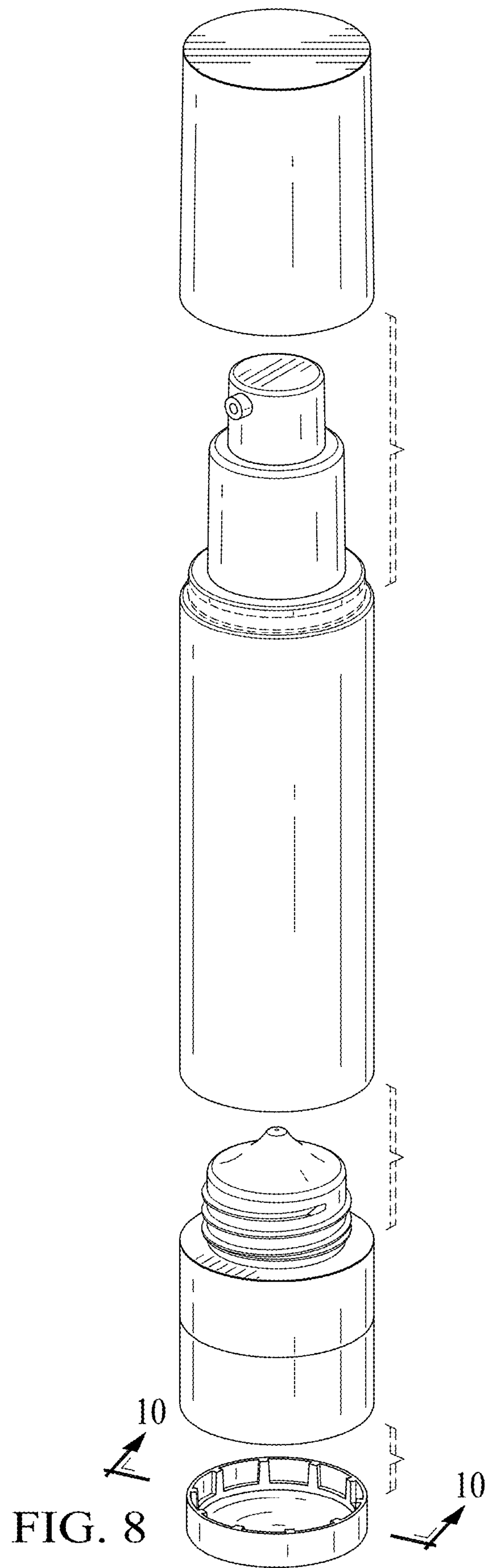


FIG. 7



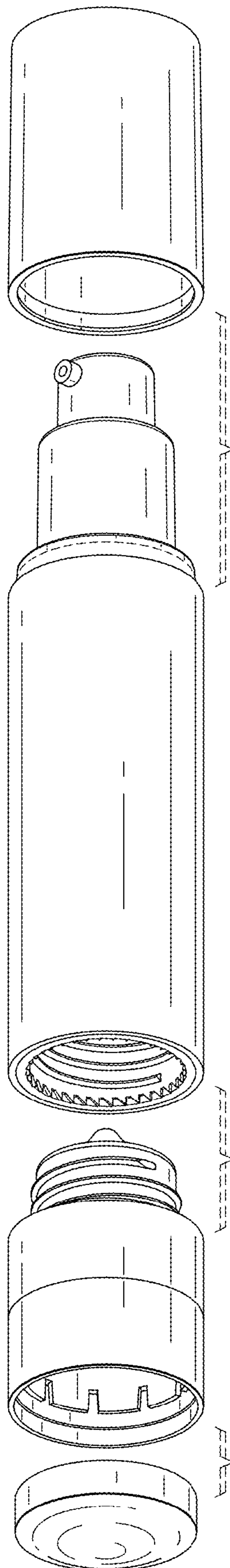


FIG. 9

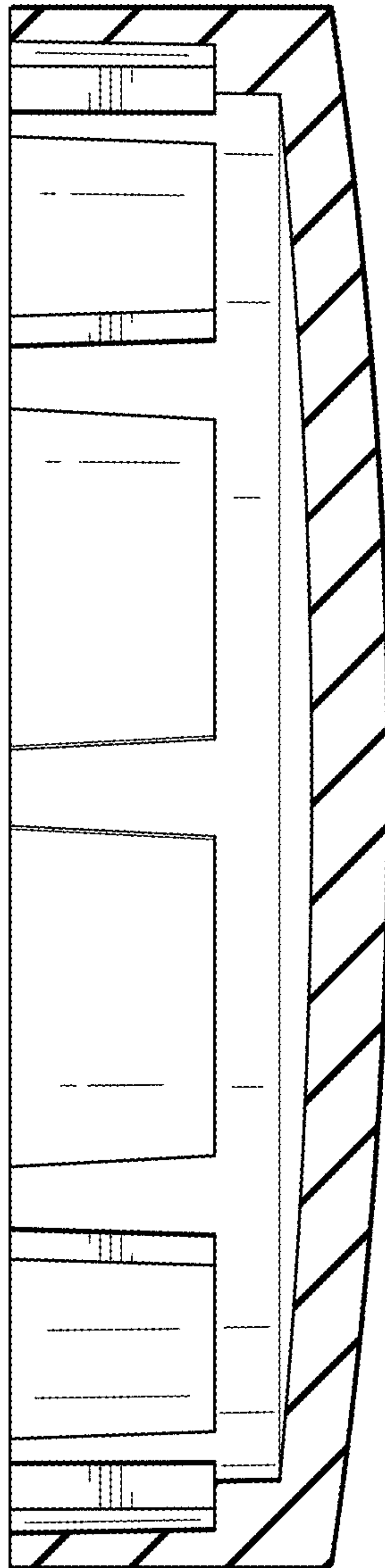


FIG. 10