



US00D941149S

(12) **United States Design Patent** (10) **Patent No.:** **US D941,149 S**
Graux et al. (45) **Date of Patent:** **** Jan. 18, 2022**

(54) **BOTTLE CLOSURE**
(71) Applicant: **Novembal USA Inc.**, Edison, NJ (US)
(72) Inventors: **Stephane Graux**, Liergues (FR); **Henri Grabarczyk**, Gleizé (FR)
(73) Assignee: **Novembal USA Inc.**, Edison, NJ (US)
(**) Term: **15 Years**
(21) Appl. No.: **29/714,939**
(22) Filed: **Nov. 27, 2019**
(51) **LOC (13) Cl.** **09-07**
(52) **U.S. Cl.**
USPC **D9/453**
(58) **Field of Classification Search**
USPC D7/509, 510, 511, 624.1, 387, 391, 392,
D7/392.1, 393, 396.1, 396.2; D9/434,
D9/435, 439, 445, 446, 447, 451, 454,
D9/438, 440, 443, 452, 453; D23/259,
D23/260, 261, 209, 210; D24/162, 127
CPC B65D 43/265; B65D 17/506; B65D 47/04;
B65D 47/06; B65D 47/08; B65D 47/20;
B65D 1/00; B65D 1/02; B65D 1/10;
B65D 1/46; B65D 2585/56; B65D
2585/545; B65D 41/00; B65D 41/38;
B65D 41/56; B65D 41/62; B65D 47/00;
B65D 23/00; B65D 51/1694; B65D
43/0212; B65D 43/0208; B65D
2543/00046; B65D 2543/00092; B65D
1/24; B65D 25/04; B65D 43/09; B65D
43/16; A61J 1/00; A61J 1/1412; A61J
1/02
See application file for complete search history.

(56) **References Cited**
U.S. PATENT DOCUMENTS
D291,536 S * 8/1987 Crawford D9/440
D291,537 S * 8/1987 Crawford D9/440
D298,014 S * 10/1988 McGlynn D9/446

D306,701 S * 3/1990 Beck D9/446
D320,746 S * 10/1991 Bolen, Jr D9/446
D353,328 S * 12/1994 Nuffer D9/445
D362,186 S * 9/1995 Thanisch D9/446
D364,810 S * 12/1995 Meisner D9/446
D367,424 S * 2/1996 Thanisch D9/446
D475,923 S * 6/2003 Renz D9/446
D727,093 S * 4/2015 Lapsker D7/396.2
9,884,706 B1 * 2/2018 Skillin B65D 47/18
D817,088 S * 5/2018 Shirley D7/396.2
D857,502 S * 8/2019 Fracasso D9/449
D863,874 S * 10/2019 Melanson D7/392
D865,441 S * 11/2019 Lowette D7/392
D873,604 S * 1/2020 Lowette D7/392
D885,124 S * 5/2020 Yessin D7/396.2
D885,829 S * 6/2020 Bodum D7/392.1

(Continued)

OTHER PUBLICATIONS

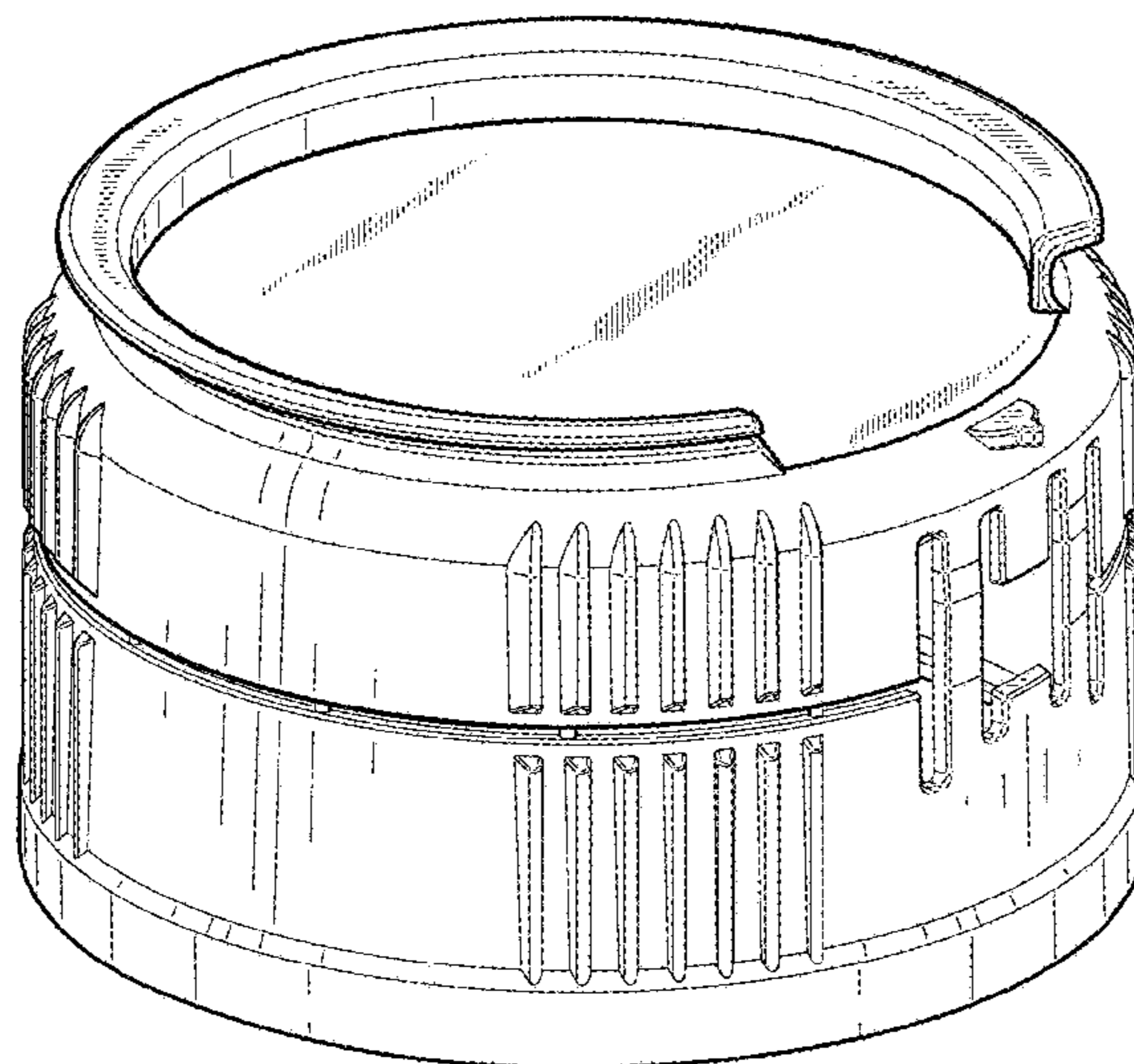
Novembal Closures: Site Visited Dec. 31, 2020 [online]. Available from Internet URL: <https://www.novembal.com/en/home-office-delivery/home-office-delivery/novaqua-hod-55-ns-linerless-prd-12>.
*

Primary Examiner — Catherine S Posthauer

(57) **CLAIM**
We claim the ornamental design for a bottle closure, as shown and described.

DESCRIPTION
FIG. 1 is a top perspective view of a bottle closure in accordance with our new design;
FIG. 2 is a left view thereof;
FIG. 3 is a right view thereof;
FIG. 4 is a front view thereof;
FIG. 5 is a back view thereof;
FIG. 6 is a top plan view thereof; and,
FIG. 7 is a bottom view thereof.
The broken lines are shown for the purpose of illustrating parts of the article that form no part of the claim.

1 Claim, 7 Drawing Sheets



(56)

References Cited

U.S. PATENT DOCUMENTS

D889,194 S * 7/2020 Han D7/392.1
D896,570 S * 9/2020 Berroa Garcia D7/392.1

* cited by examiner

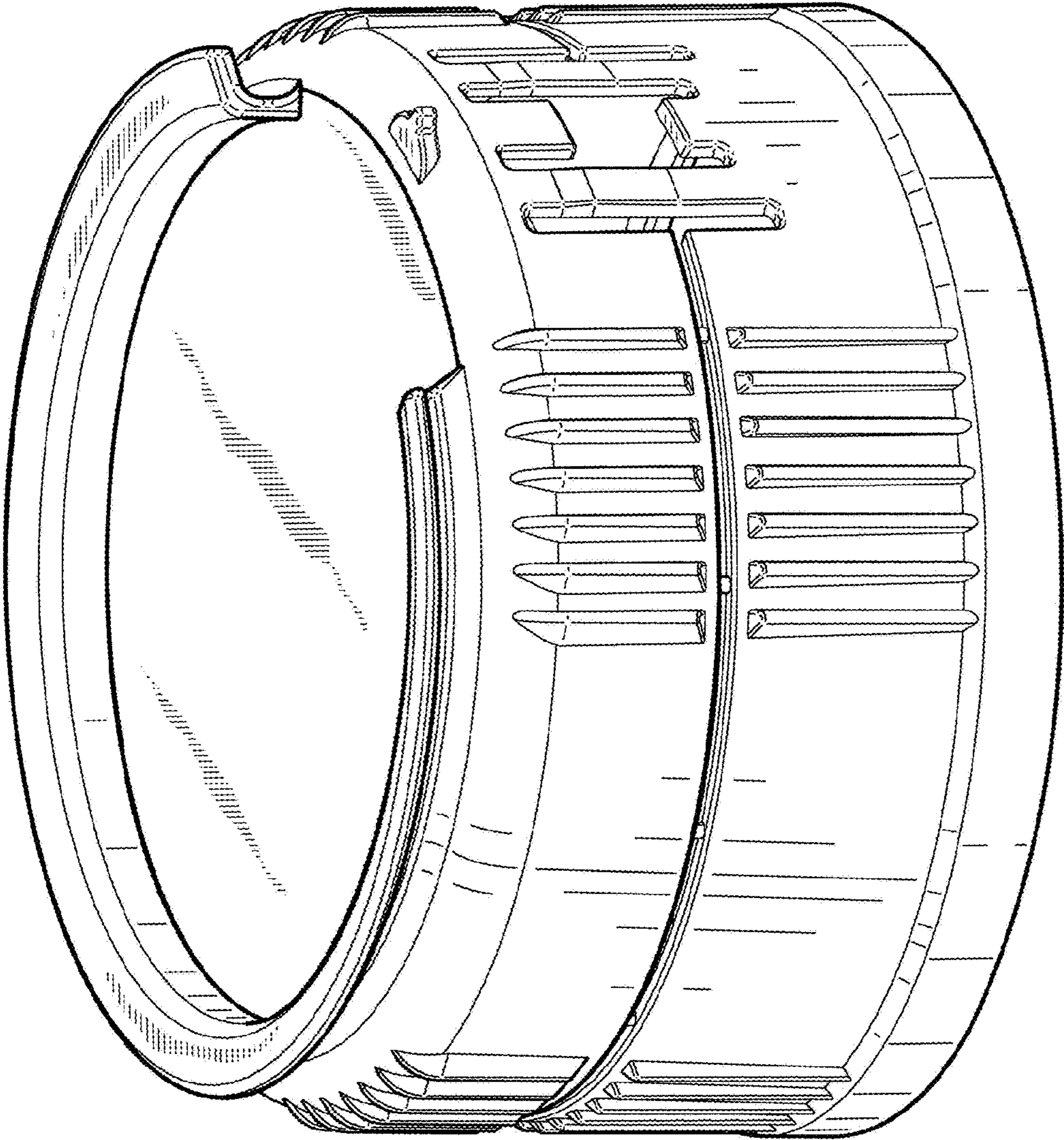


FIG. 1

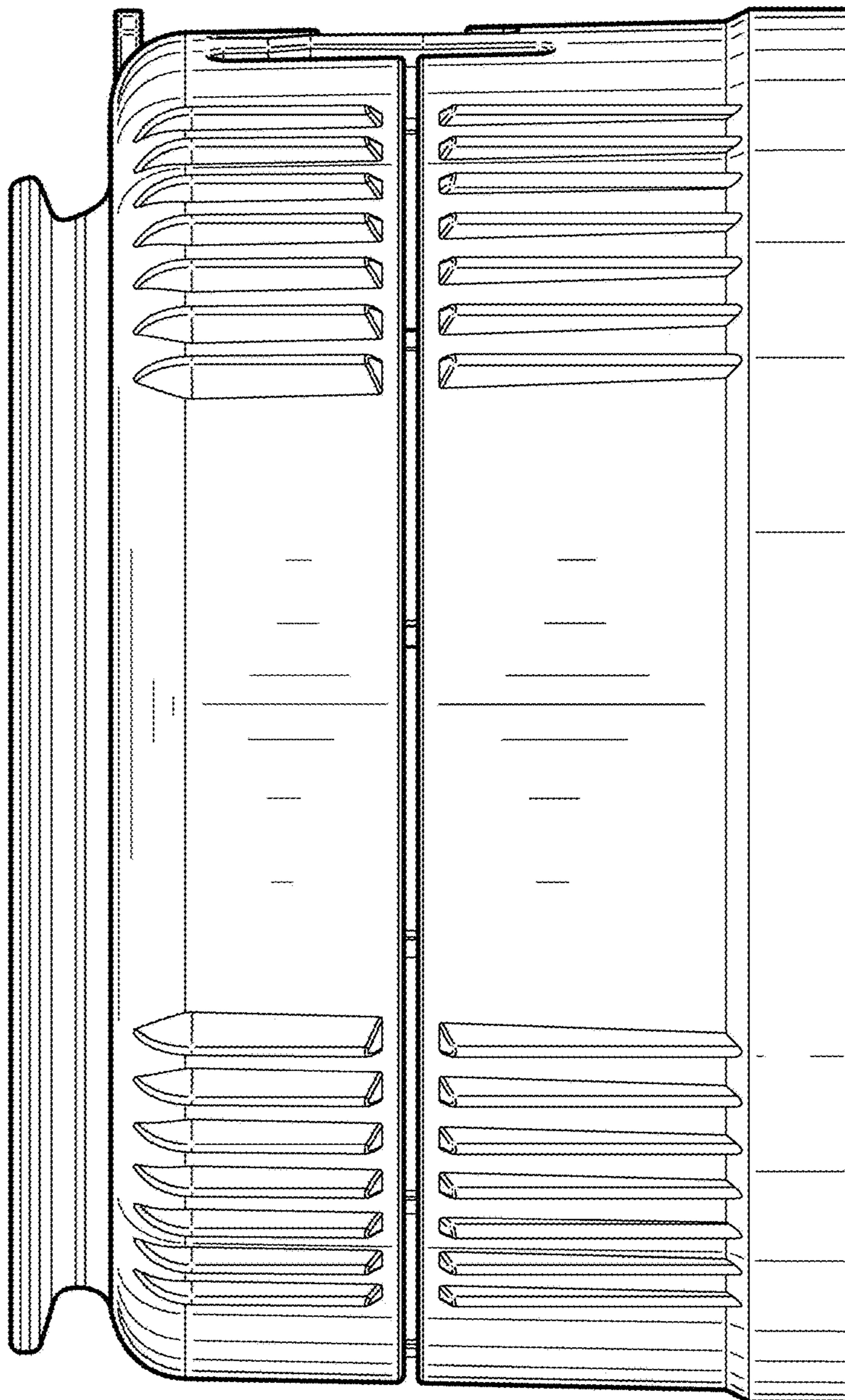


FIG. 2

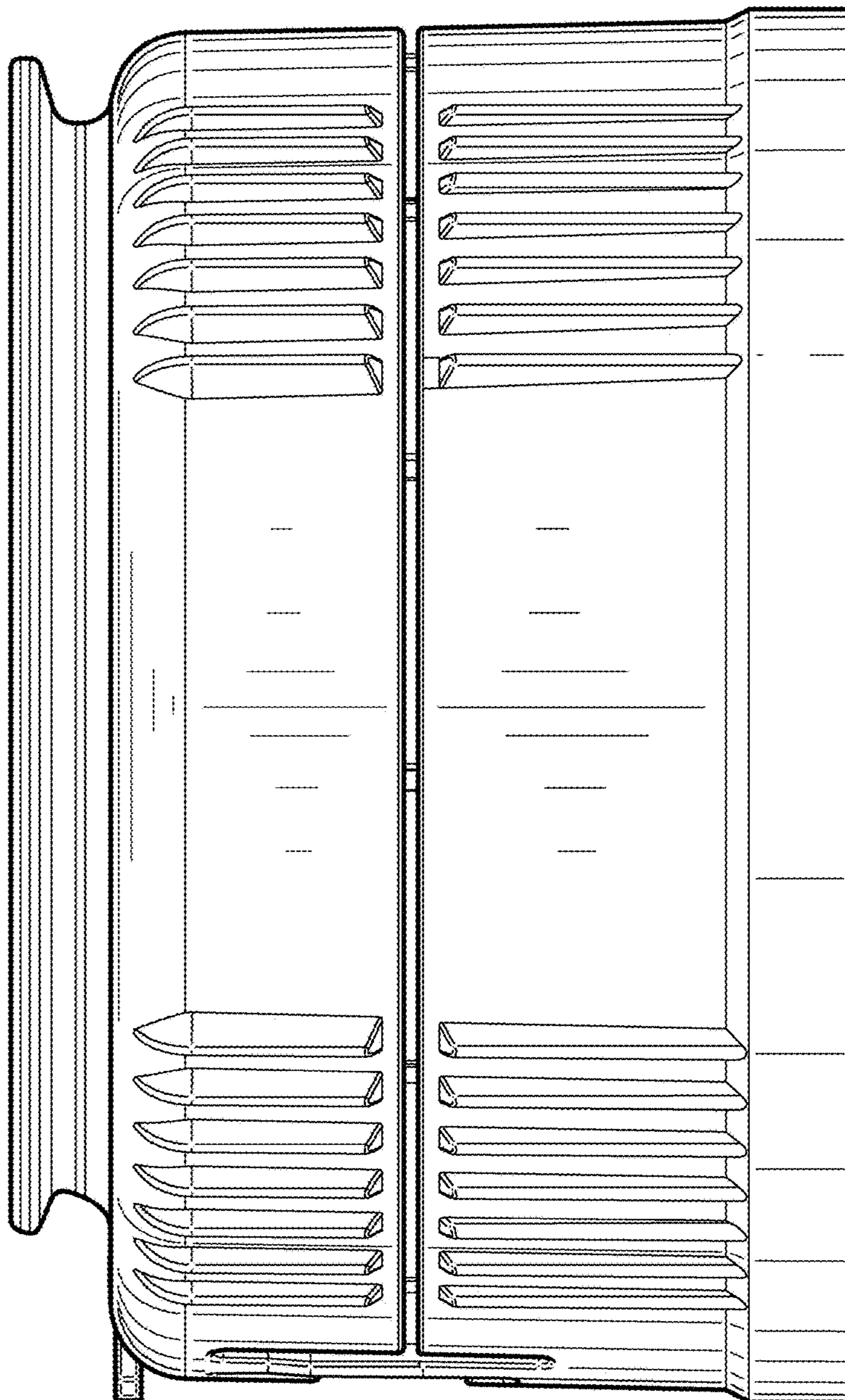


FIG. 3

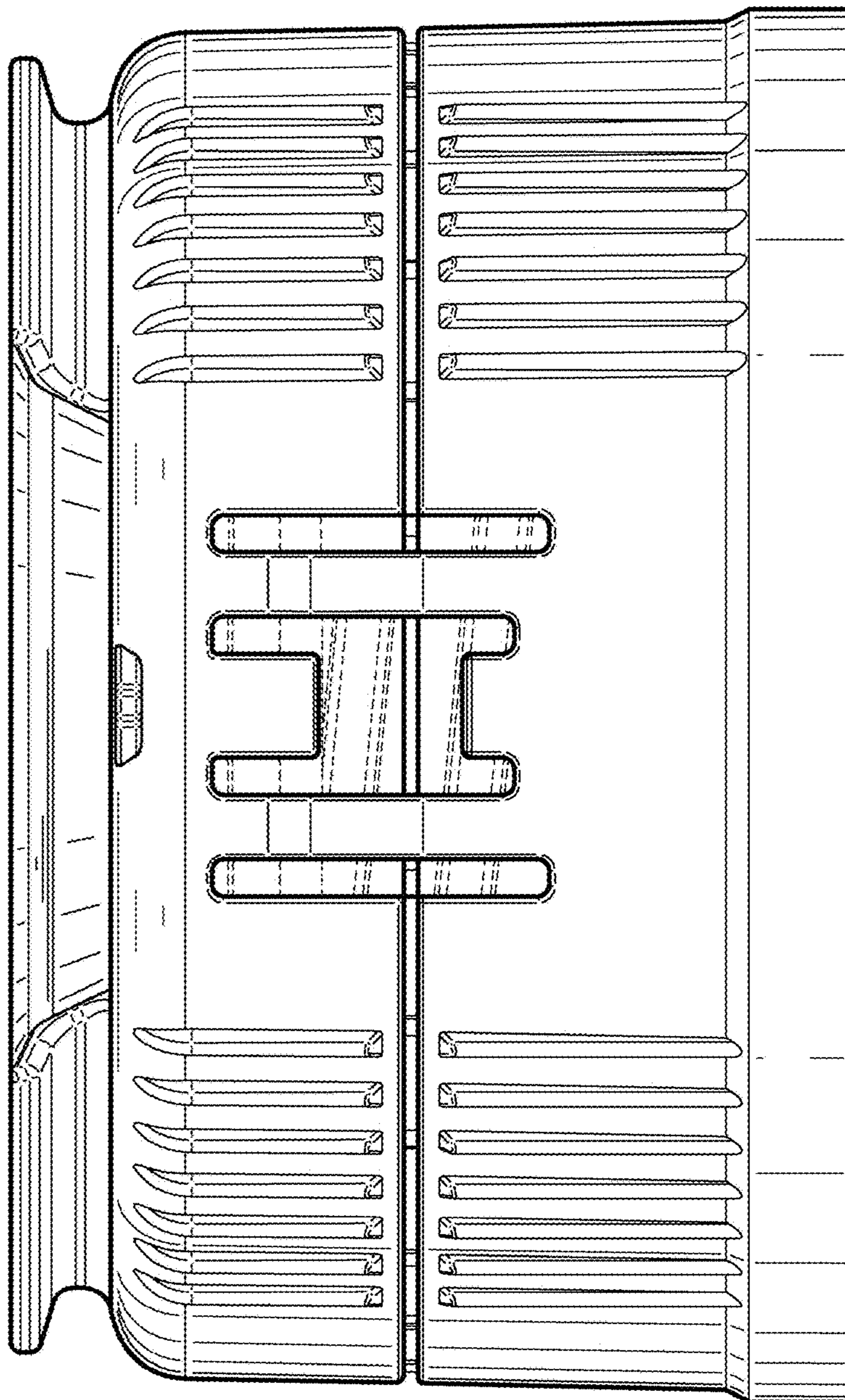


FIG. 4

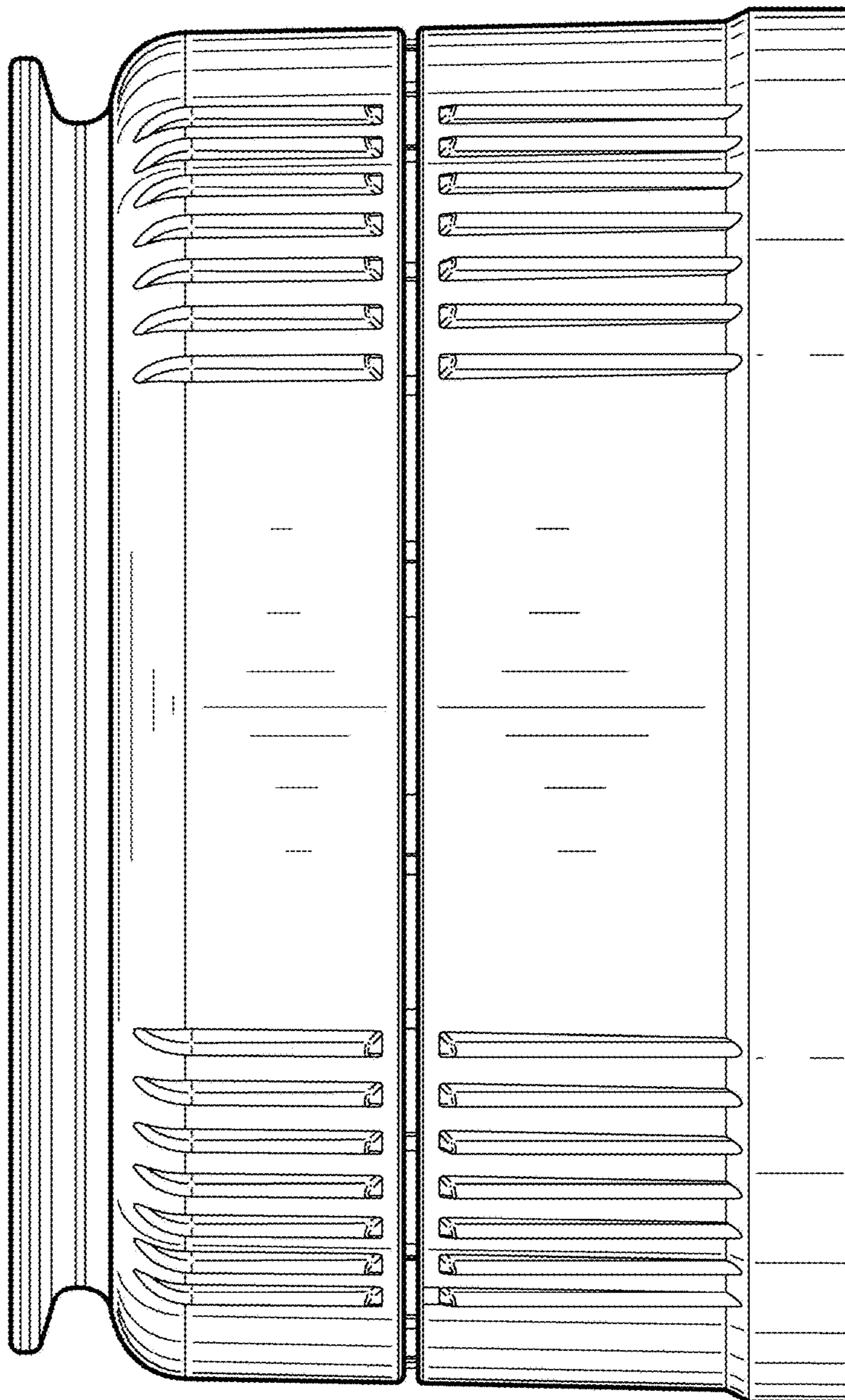


FIG. 5

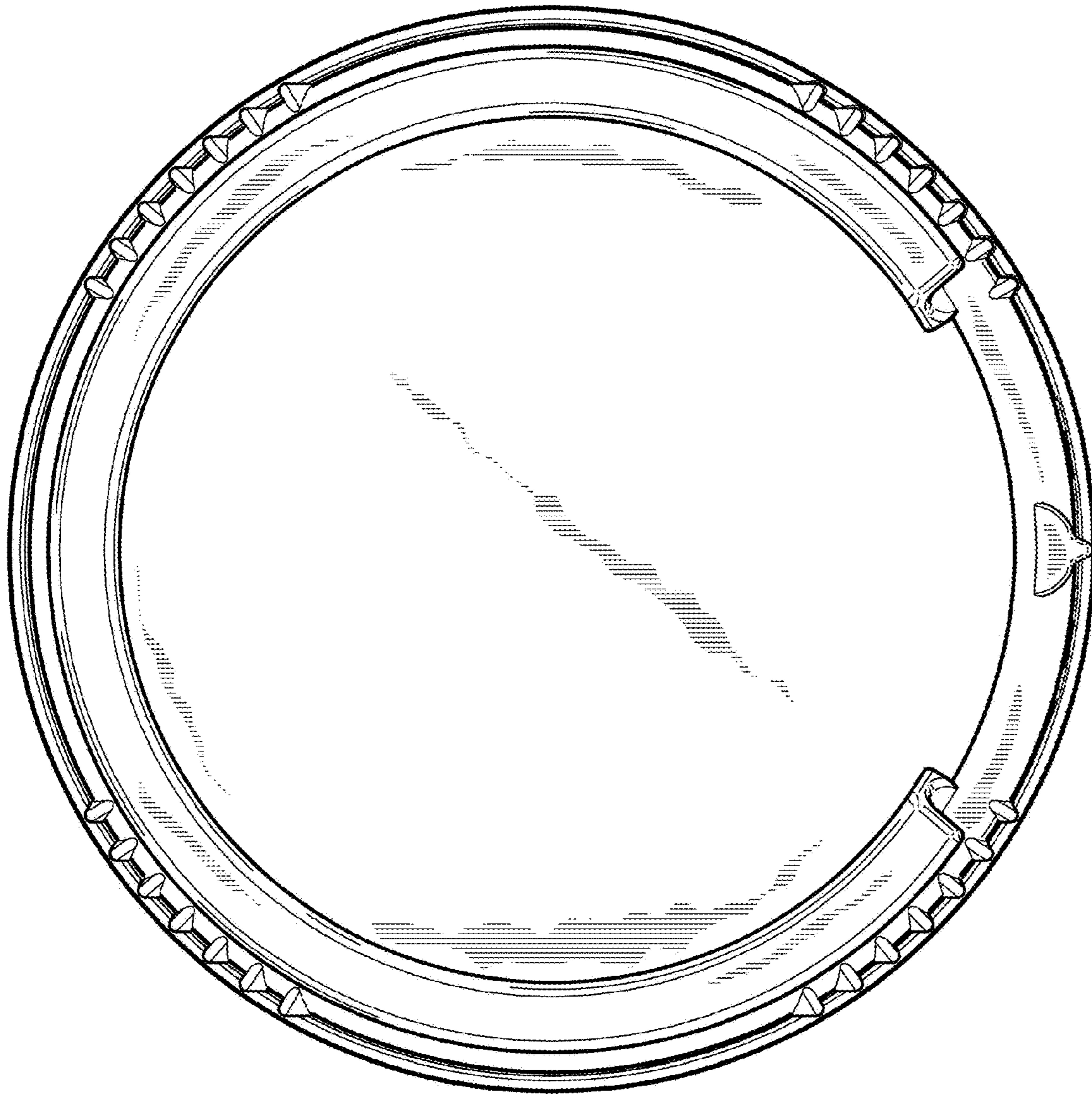


FIG. 6

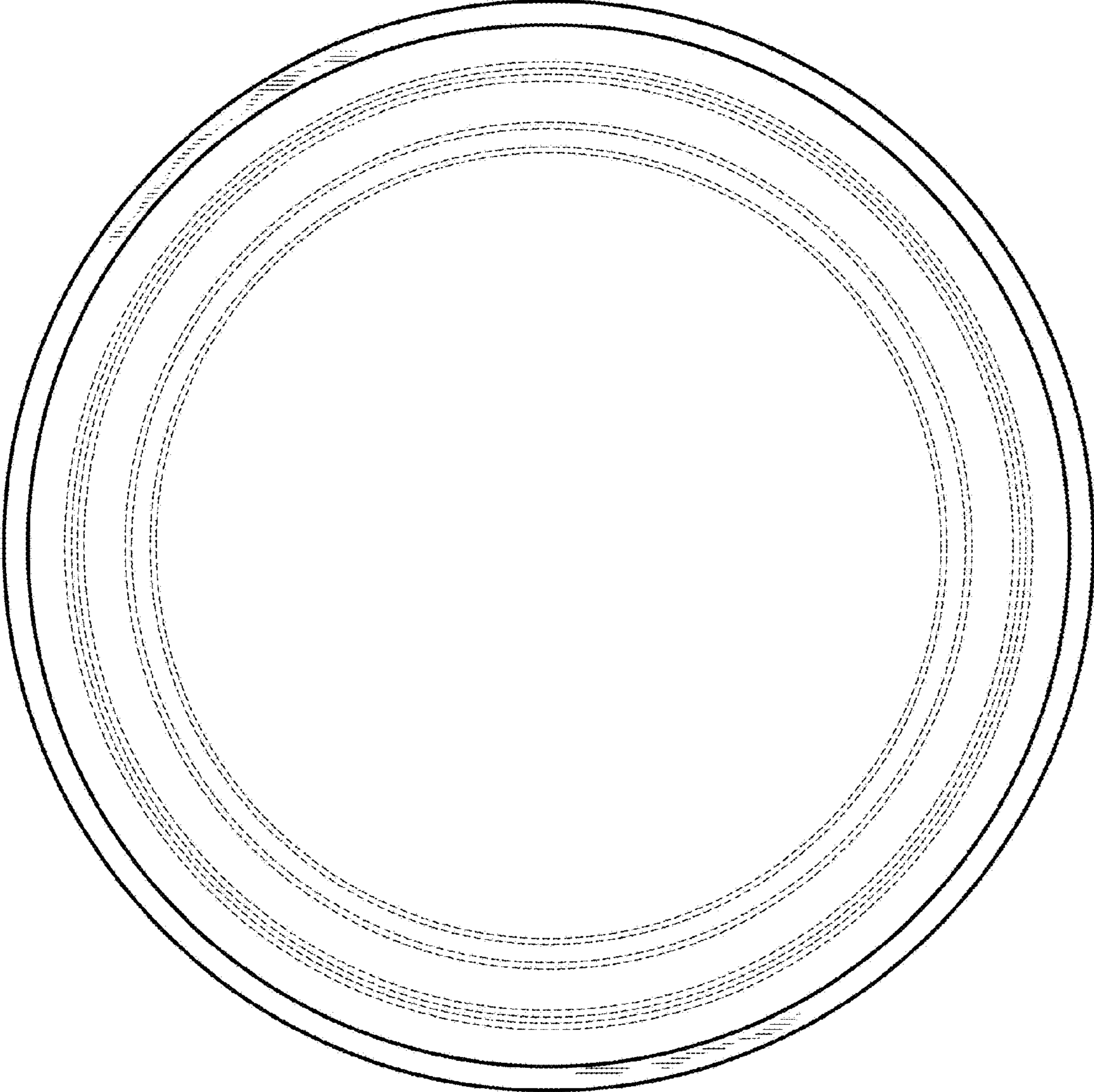


FIG. 7