



US00D941146S

(12) **United States Design Patent** (10) **Patent No.:** **US D941,146 S**
Barber (45) **Date of Patent:** **** Jan. 18, 2022**

(54) **LID**
(71) Applicant: **BRADSHAW HOME**, Rancho Cucamonga, CA (US)
(72) Inventor: **Tom Barber**, Manhattan Beach, CA (US)
(73) Assignee: **BRADSHAW HOME**, Rancho Cucamonga, CA (US)
(**) Term: **15 Years**
(21) Appl. No.: **29/726,322**
(22) Filed: **Mar. 2, 2020**
(51) **LOC (13) Cl.** **09-07**
(52) **U.S. Cl.**
USPC **D9/443; D7/396.2**
(58) **Field of Classification Search**
USPC D3/201, 202; D7/300, 300.1, 317, 321, D7/392, 392.1, 396.2, 601, 602, 619.1, D7/629; D9/434-436, 440, 443-447, D9/449, 452-454, 499
CPC B65D 41/0435; B65D 47/121; B65D 47/122; B65D 47/0895; B65D 51/18; B65D 51/242; B65D 53/00; B65D 81/3869
See application file for complete search history.

D830,767 S * 10/2018 Gordon D7/392.1
D836,388 S * 12/2018 Abante D7/392.1
D846,387 S * 4/2019 Staab D9/435
D878,166 S * 3/2020 Rane D7/629
D888,553 S * 6/2020 Pintar D9/439
D891,858 S * 8/2020 Adams, Jr. D7/392.1
D897,151 S * 9/2020 Bullock D7/396.2
D902,718 S * 11/2020 Smith D9/454
D906,105 S * 12/2020 Wilson D9/443

OTHER PUBLICATIONS

Amazon. Goodcook 1 gallon plastic straining pitcher square lid with 3 strainers and close no spill, Dishwasher Safe, Clear and Red. Aug. 21, 2019. <https://www.amazon.com/Good-Cook-10658-straining-Dishwasher/dp/B07WSXVGYT> (Year: 2019).*

* cited by examiner

Primary Examiner — Darcey E Gottschalk
(74) *Attorney, Agent, or Firm* — Birch, Stewart, Kolasch & Birch, LLP

(57) **CLAIM**

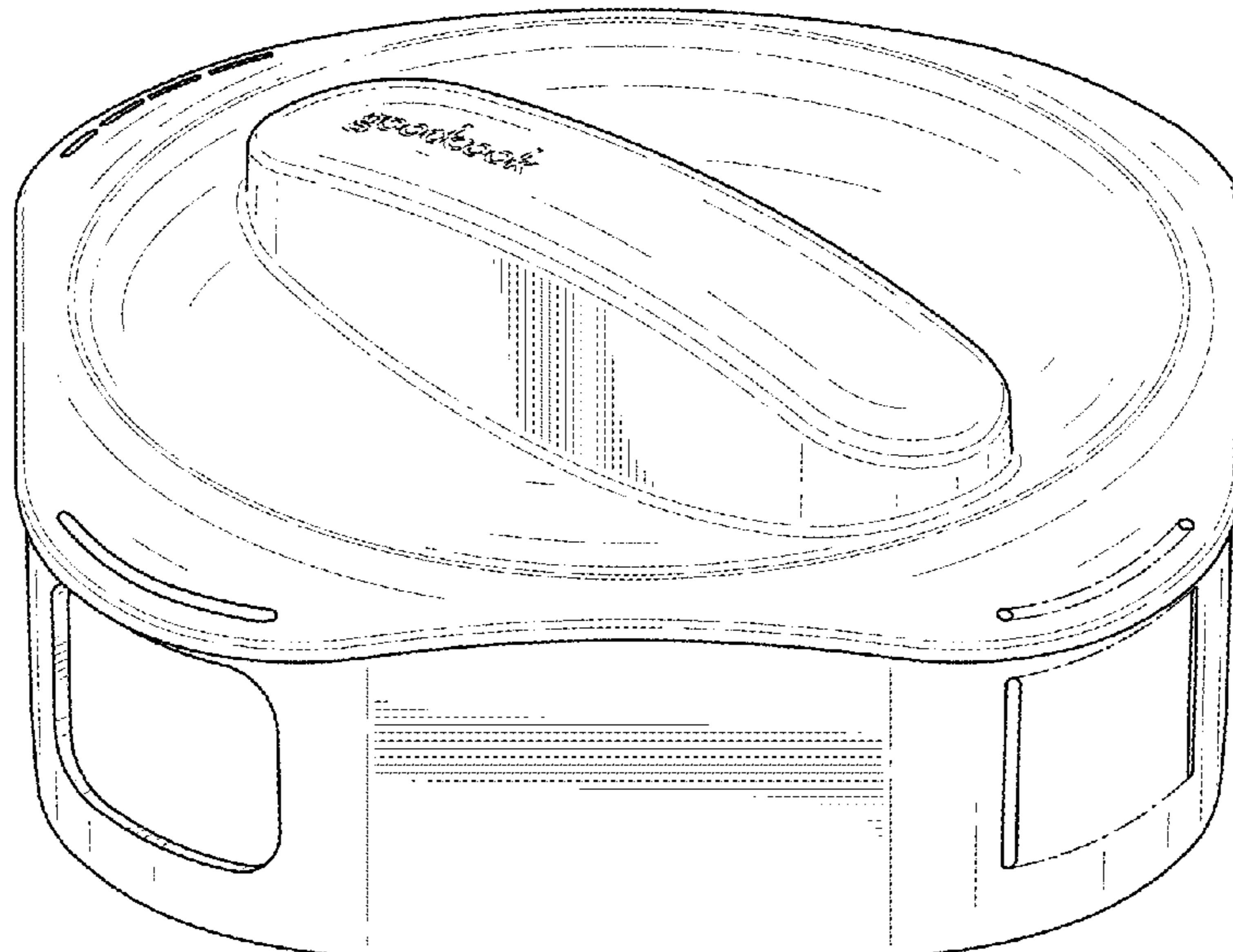
The ornamental design for a lid, as shown and described.

DESCRIPTION

FIG. 1 is a front, right perspective view of the lid showing my new design;
FIG. 2 is a front view thereof;
FIG. 3 is a rear view thereof;
FIG. 4 is a left side view thereof;
FIG. 5 is a right side view thereof;
FIG. 6 is a top plan view thereof; and,
FIG. 7 is a bottom plan view thereof.
The broken line showing in the figures is for the purpose of illustrating portions of the lid that form no part of the claimed design; and the dash-dot-dash lines represent dimples and slots on the lid that form no part thereof.

1 Claim, 7 Drawing Sheets

(56) **References Cited**
U.S. PATENT DOCUMENTS
D682,016 S * 5/2013 Knight D7/392.1
D737,635 S * 9/2015 Bronwasser D7/629
D741,642 S * 10/2015 Yessin D7/392
D747,148 S * 1/2016 Beardsell D7/511
D752,381 S * 3/2016 Wahl D7/392.1
D755,562 S * 5/2016 Lindsay D7/392.1
D788,583 S * 6/2017 Tu D9/449
D807,692 S * 1/2018 Yao D7/392.1
D820,083 S * 6/2018 Daley D9/435



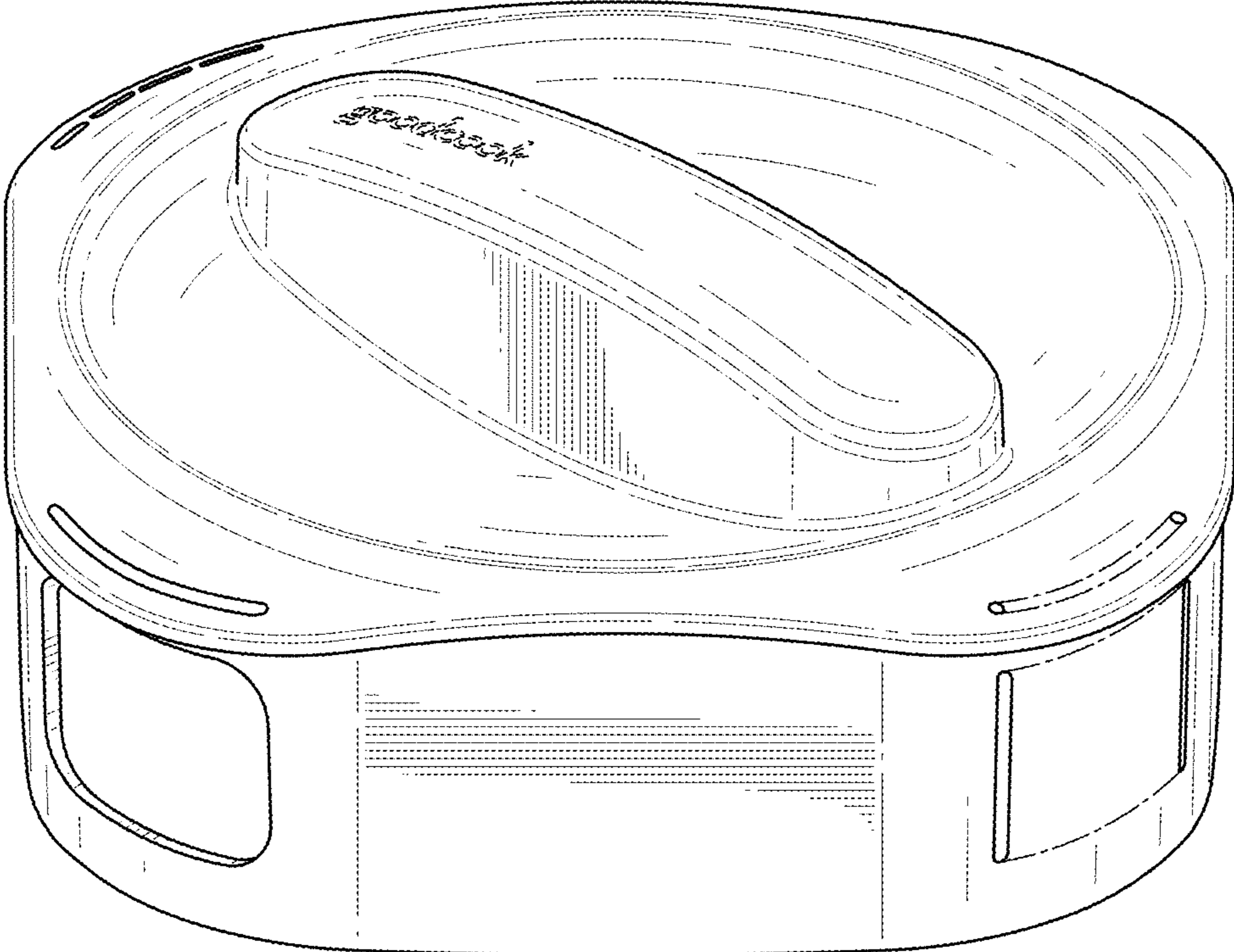


FIG.1

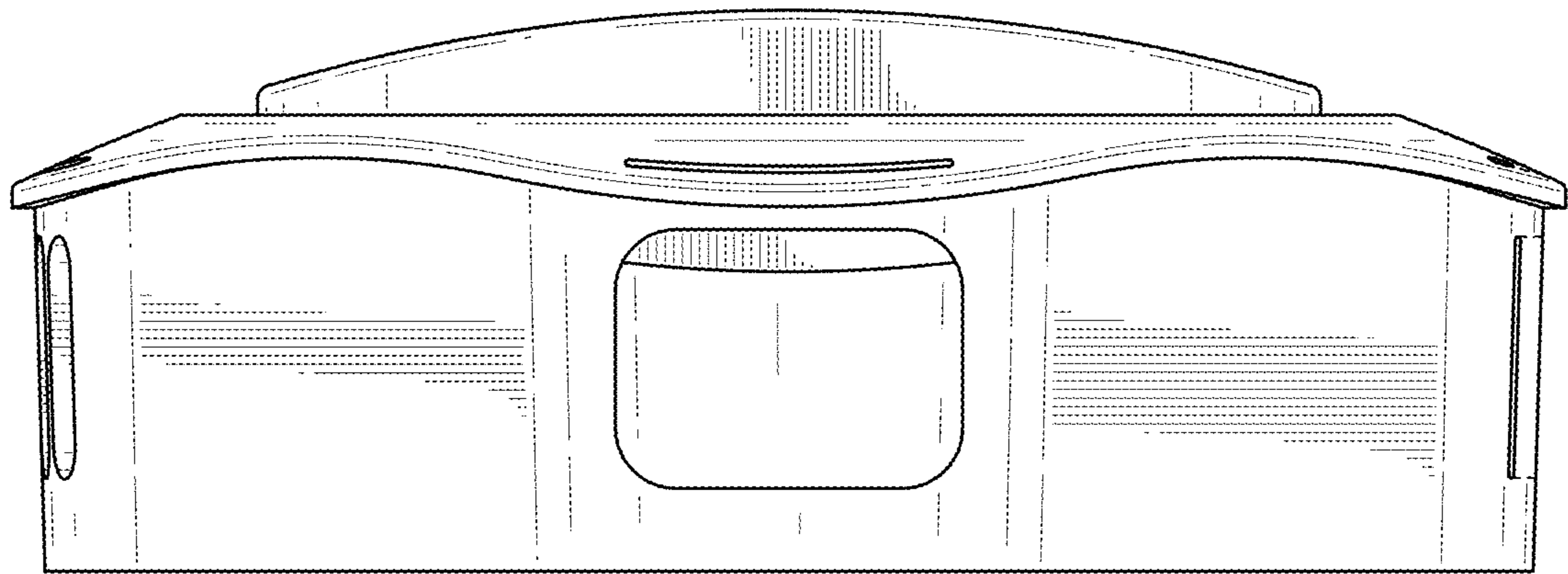


FIG.2

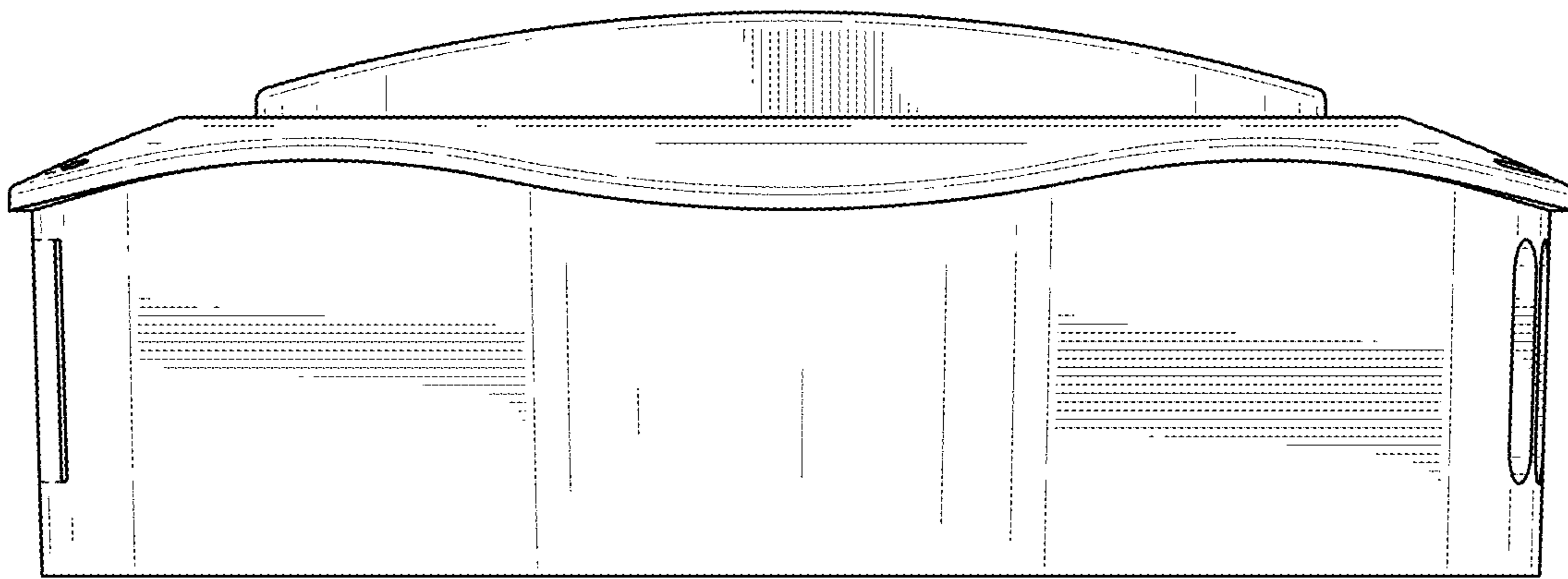


FIG.3

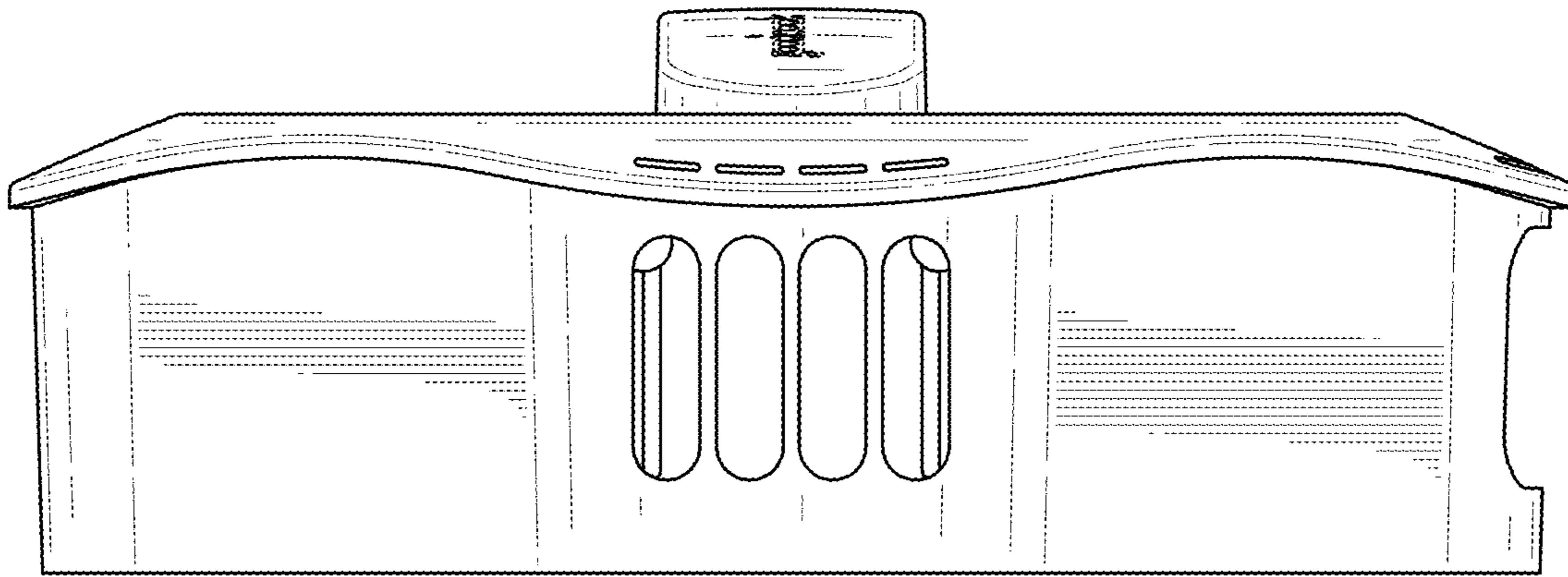


FIG.4

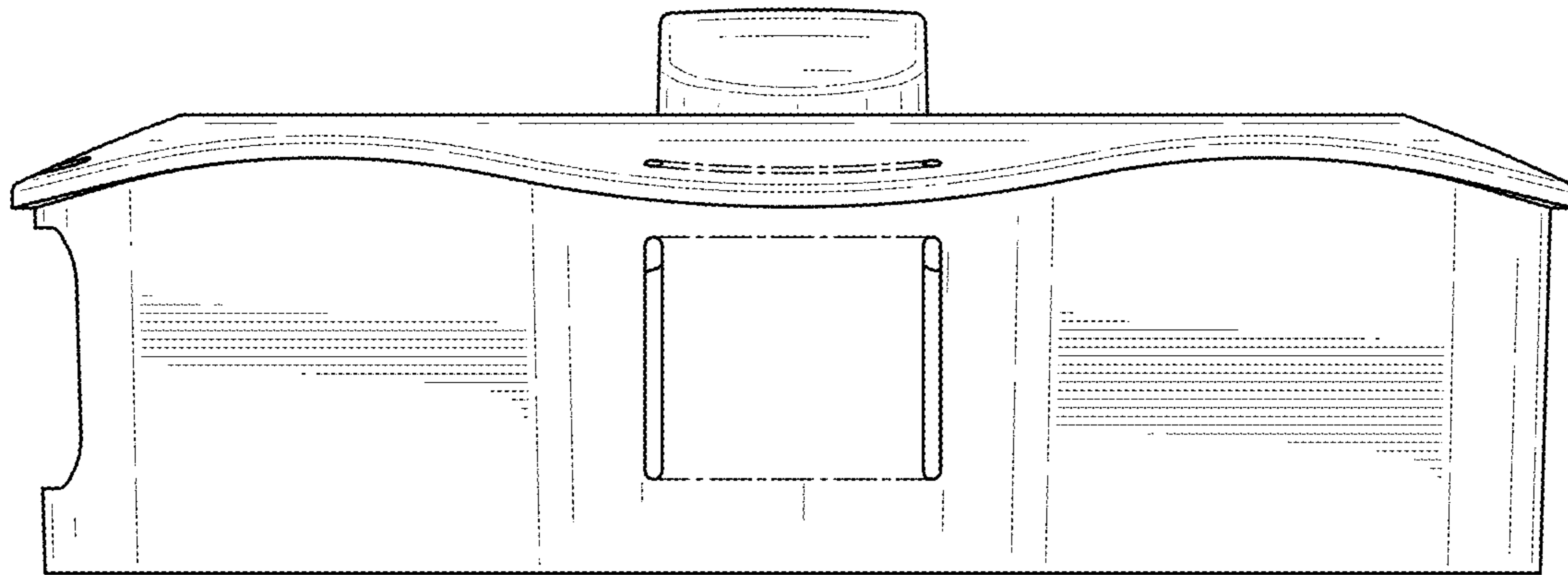


FIG.5

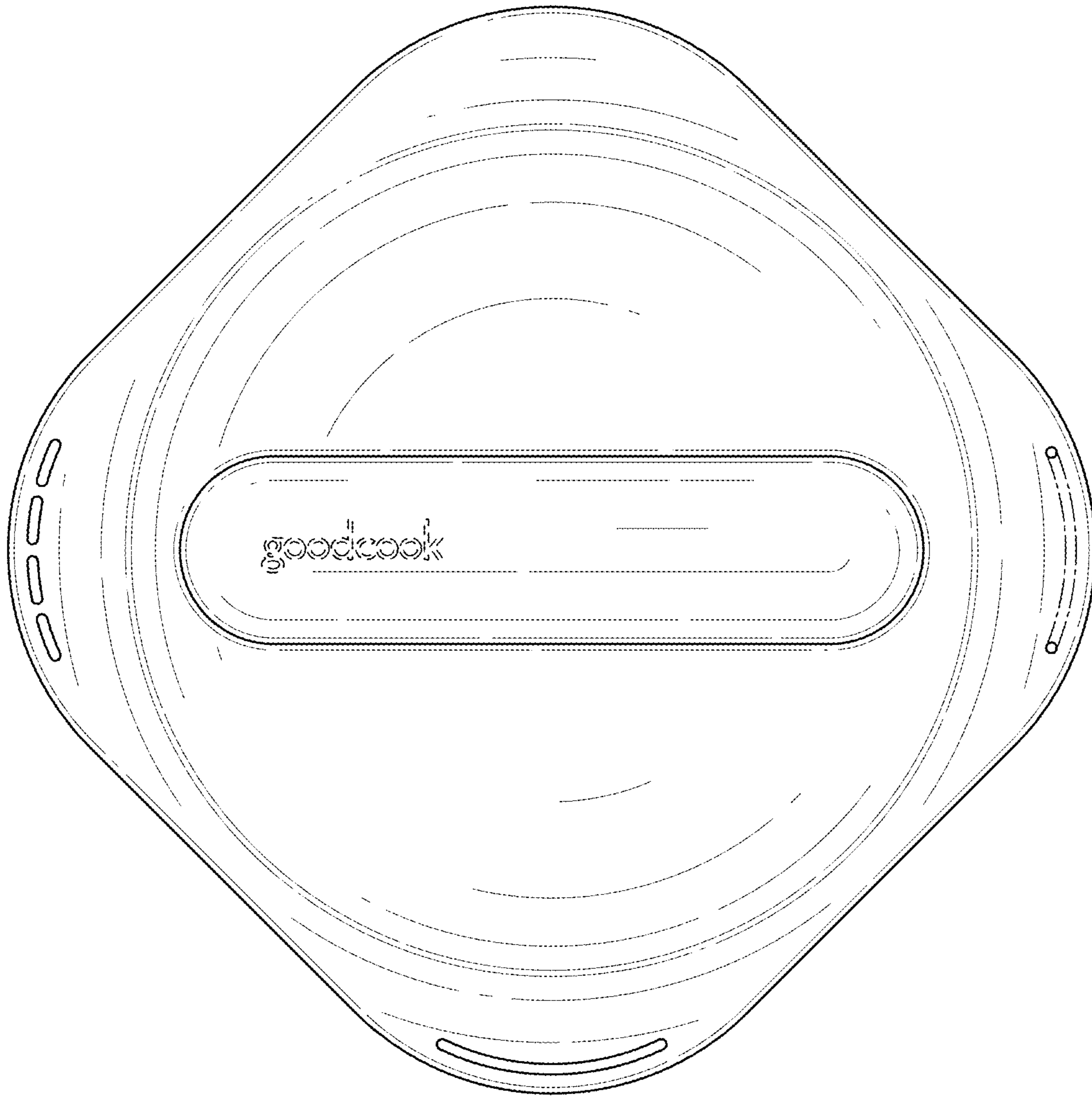


FIG.6

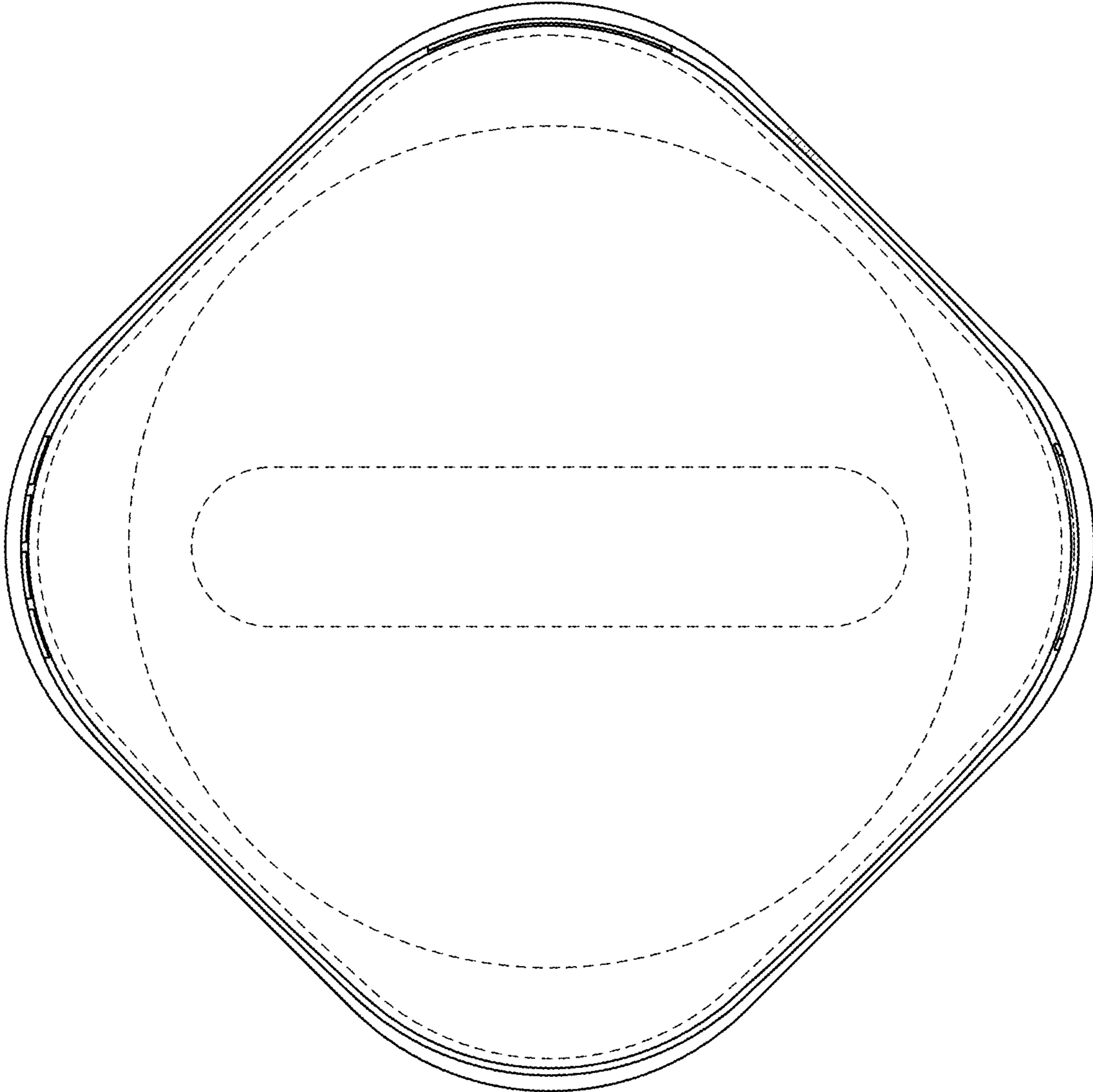


FIG.7