



US00D941145S

(12) **United States Design Patent**
Wang et al.

(10) **Patent No.:** **US D941,145 S**
(45) **Date of Patent:** **** Jan. 18, 2022**

(54) **CAP FOR A BOTTLE WITH A RING ON TOP**

(71) Applicant: **LARQ, Inc.**, Foster City, CA (US)

(72) Inventors: **Justin Wang**, Foster City, CA (US);
Matthew Chin, New York, NY (US);
Stephen Kaes, Brooklyn, NY (US);
Gareth Brown, Gardiner, NY (US); **Li Zhang**, Foster City, CA (US)

(73) Assignee: **LARQ, Inc.**, Foster City, CA (US)

(**) Term: **15 Years**

(21) Appl. No.: **29/723,287**

(22) Filed: **Feb. 5, 2020**

(51) **LOC (13) Cl.** **09-07**

(52) **U.S. Cl.**
USPC **D9/439**; D9/454

(58) **Field of Classification Search**
USPC D7/392.1, 396.2; D9/434–436, 499, 440,
D9/447, 454, 439
CPC B65D 39/00; B65D 39/0005
See application file for complete search history.

(56) **References Cited**

U.S. PATENT DOCUMENTS

| | | | | | | |
|-----------|---|---|---------|-----------|-------|-------------------------|
| D42,519 | S | * | 5/1912 | Weis | | D9/439 |
| D45,242 | S | * | 2/1914 | Schulhoff | | D9/439 |
| 2,649,090 | A | * | 8/1953 | Parsons | | B65D 39/0023 604/415 |
| 3,021,975 | A | * | 2/1962 | Sarafinas | | B65D 39/00 220/789 |
| D199,440 | S | * | 10/1964 | Jones | | D19/62 |
| 3,559,834 | A | * | 2/1971 | Taylor | | B65D 39/0058 215/261 |
| 4,108,325 | A | * | 8/1978 | Barre | | B65D 39/00 215/364 |
| D618,500 | S | * | 6/2010 | Hardaway | | D7/396.2 |
| D620,358 | S | * | 7/2010 | Jewett | | D9/454 |

| | | | | | | |
|--------------|----|---|---------|------------|-------|------------|
| D754,542 | S | * | 4/2016 | Shaw | | D9/454 |
| D836,387 | S | * | 12/2018 | Silsby | | D7/392.1 |
| D853,183 | S | * | 7/2019 | Adams, Jr. | | D7/392.1 |
| D860,716 | S | * | 9/2019 | Abante | | D7/392.1 |
| D899,926 | S | * | 10/2020 | Guduru | | D9/439 |
| D906,805 | S | * | 1/2021 | Guduru | | D9/439 |
| D923,476 | S | * | 6/2021 | Davies | | D9/450 |
| 2019/0062010 | A1 | * | 2/2019 | Apte | | B65D 39/04 |

OTHER PUBLICATIONS

Amazon. LARQ Bottle DG23 Edition—Self-Cleaning and Insulated Stainless Steel Water Bottle with Award-winning Design and UV Water Sanitizer, 17oz. May 5, 2021. <https://amzn.to/3y3CK8a> (Year: 2021).*

Amazon. LARQ Bottle PureVis—Self-Cleaning and Insulated Stainless Steel Water Bottle with Award-winning Design and UV Water Sanitizer. Oct. 1, 2019. <https://amzn.to/2UzGIYI> (Year: 2019).*

* cited by examiner

Primary Examiner — Darcey E Gottschalk

(74) *Attorney, Agent, or Firm* — Arc IP Law, PC; Joseph J. Mayo

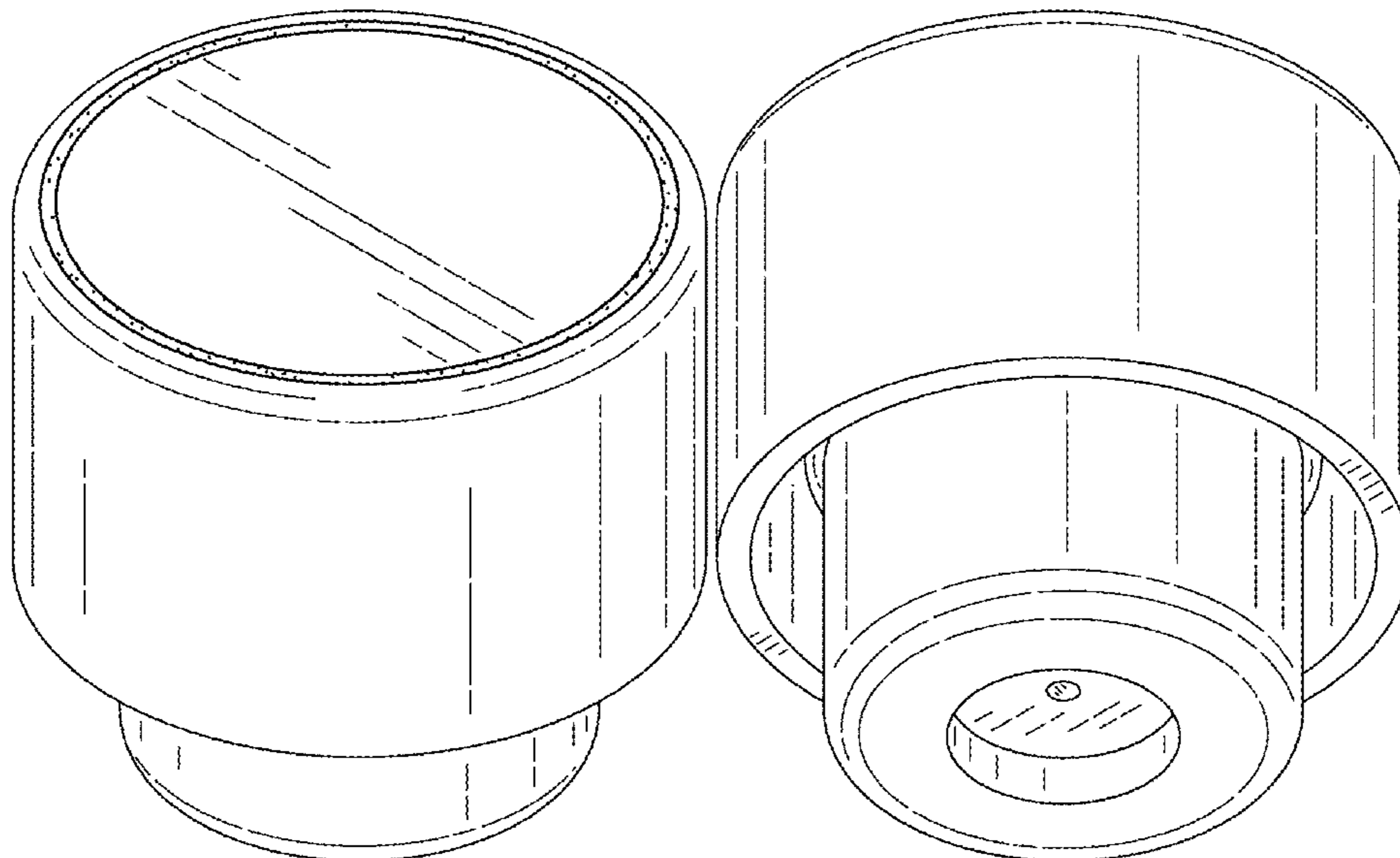
(57) **CLAIM**

The ornamental design for a cap for a bottle with a ring on top, as shown and described.

DESCRIPTION

FIG. 1 illustrates a perspective view of the cap for a bottle with a ring on top;
FIG. 2 illustrates a bottom perspective view of the cap for a bottle with a ring on top;
FIG. 3 illustrates a front view of the cap for a bottle with a ring on top;
FIG. 4 illustrates a top view of the cap for a bottle with a ring on top; and,
FIG. 5 illustrates a bottom view of the cap for a bottle with a ring on top.

1 Claim, 5 Drawing Sheets



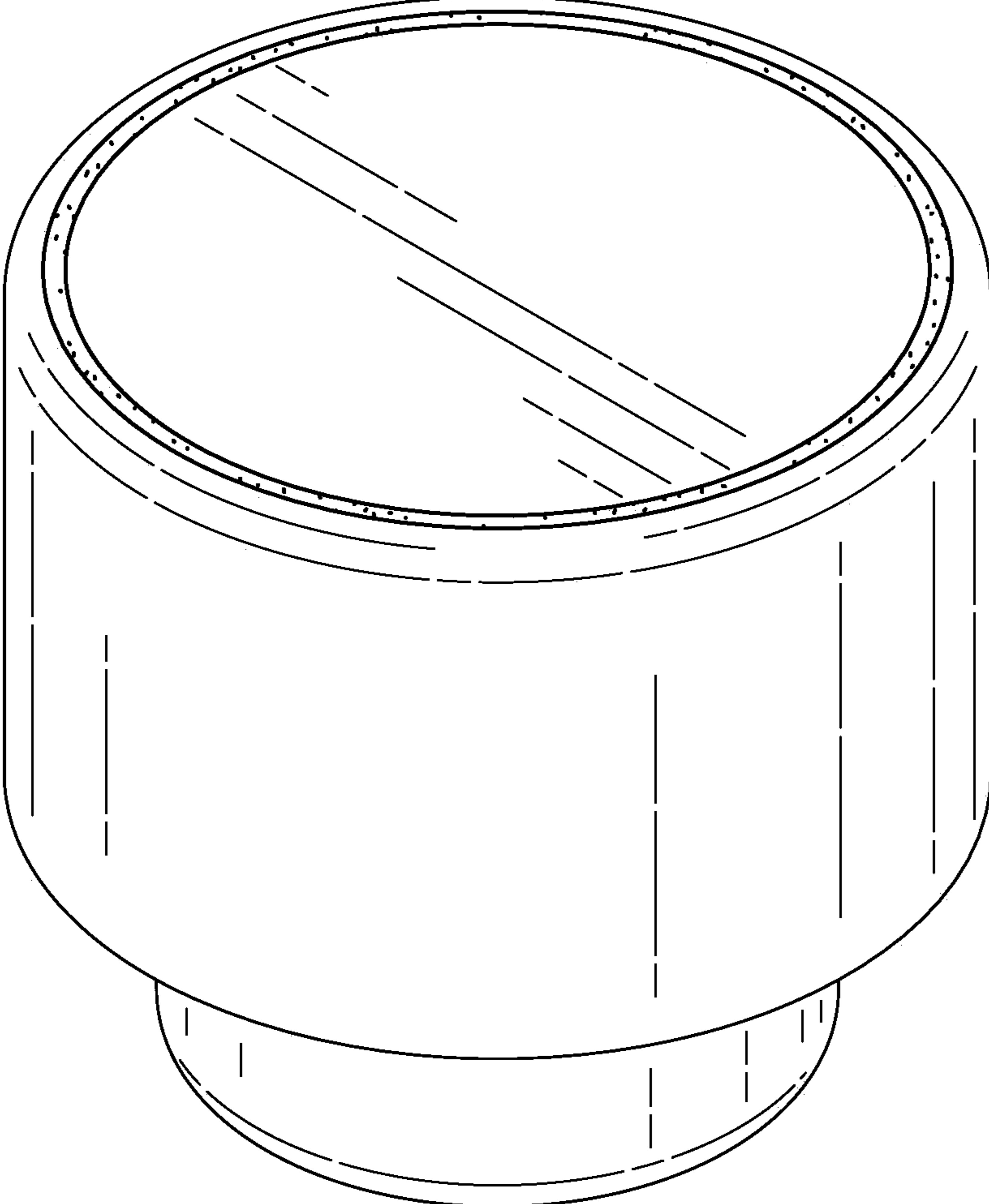


FIG. 1

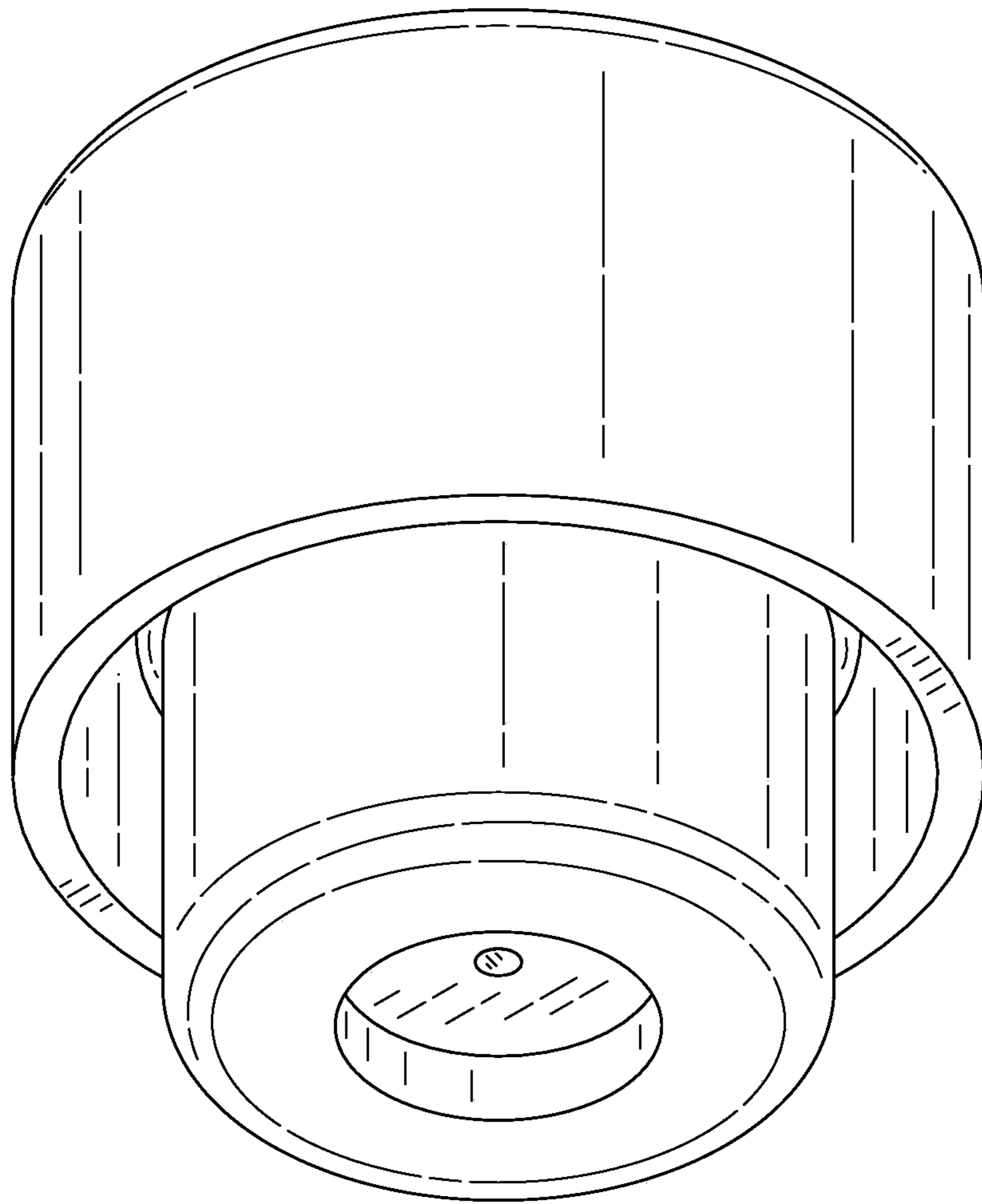


FIG. 2

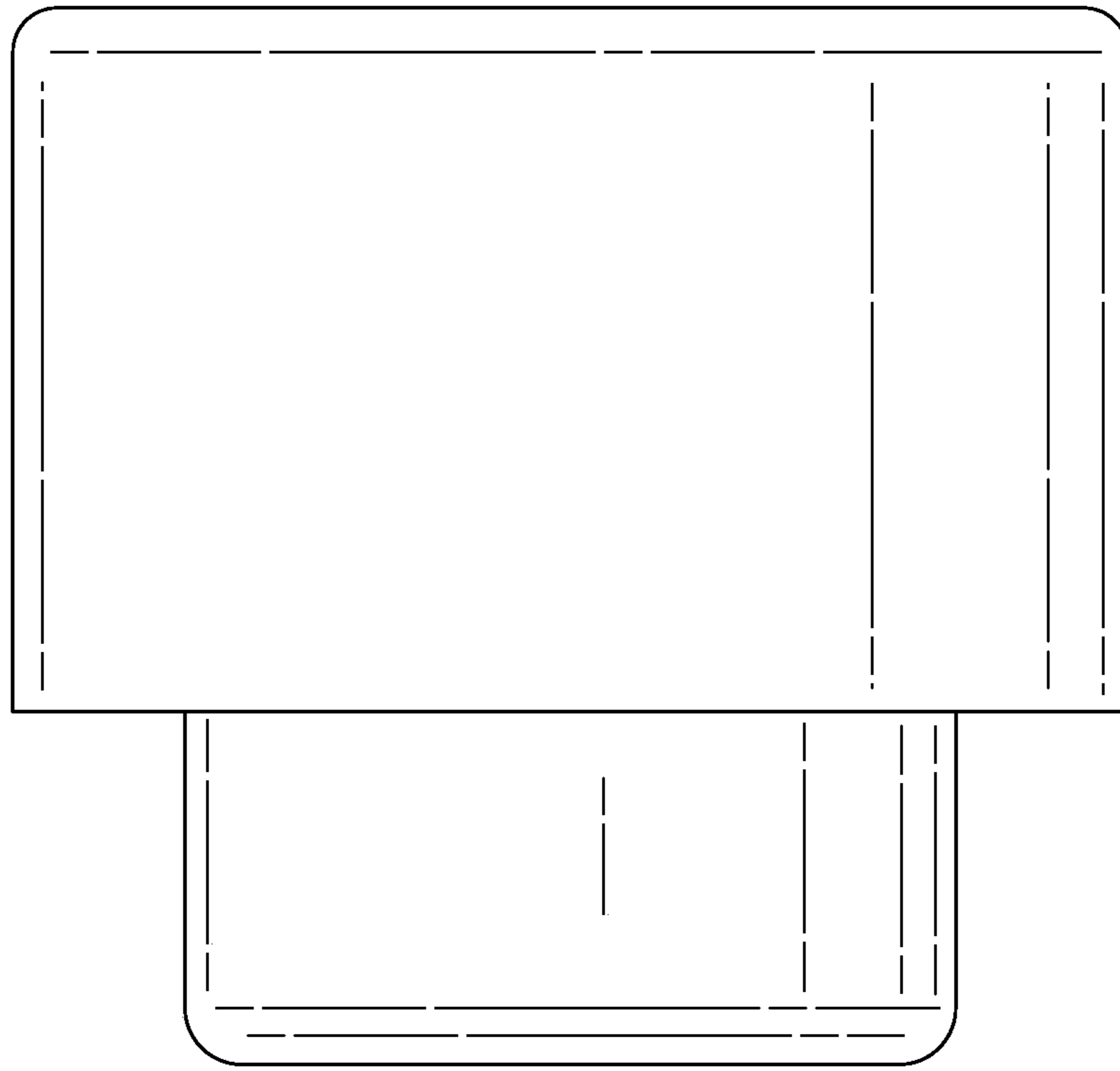


FIG. 3

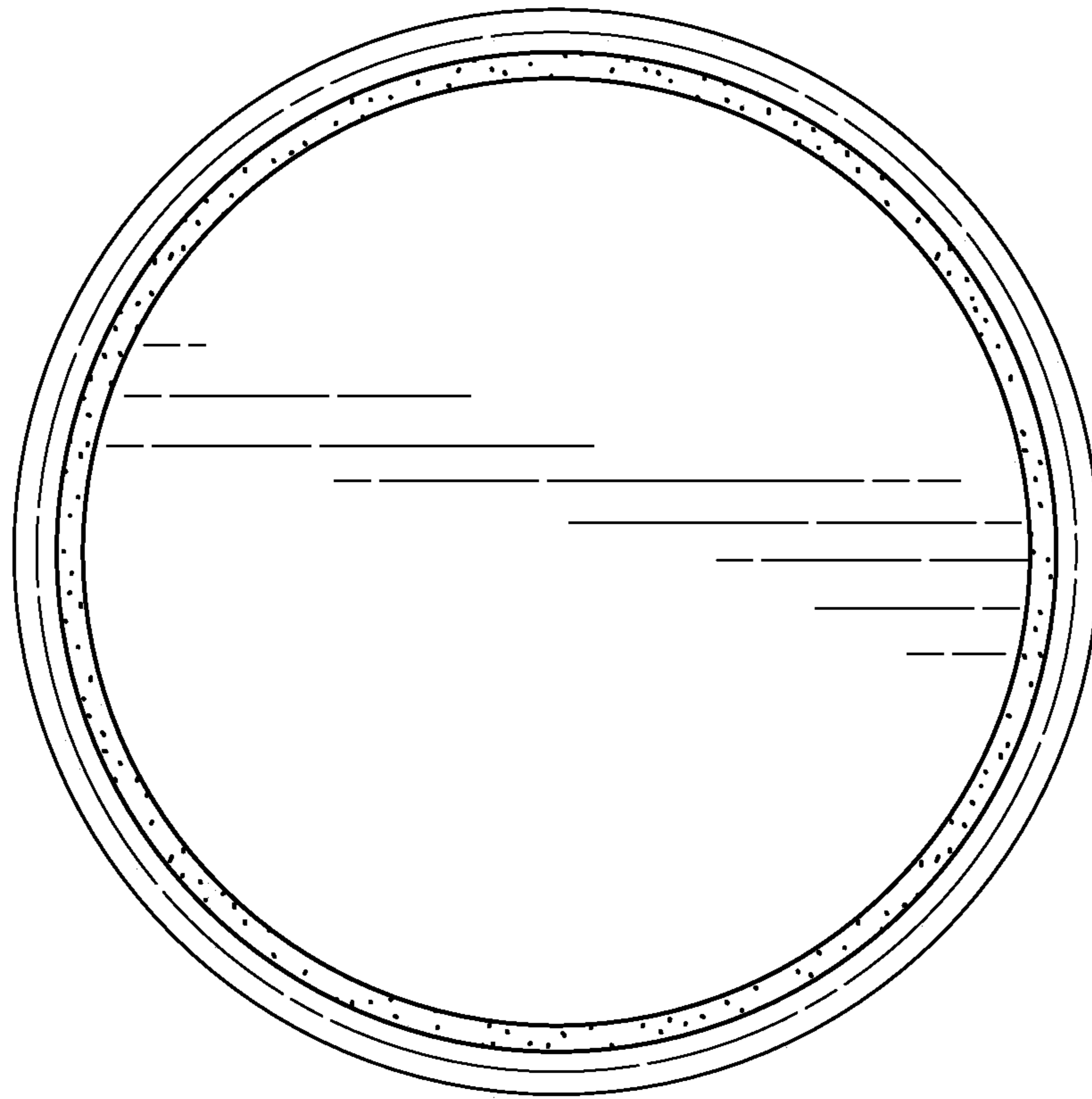


FIG. 4

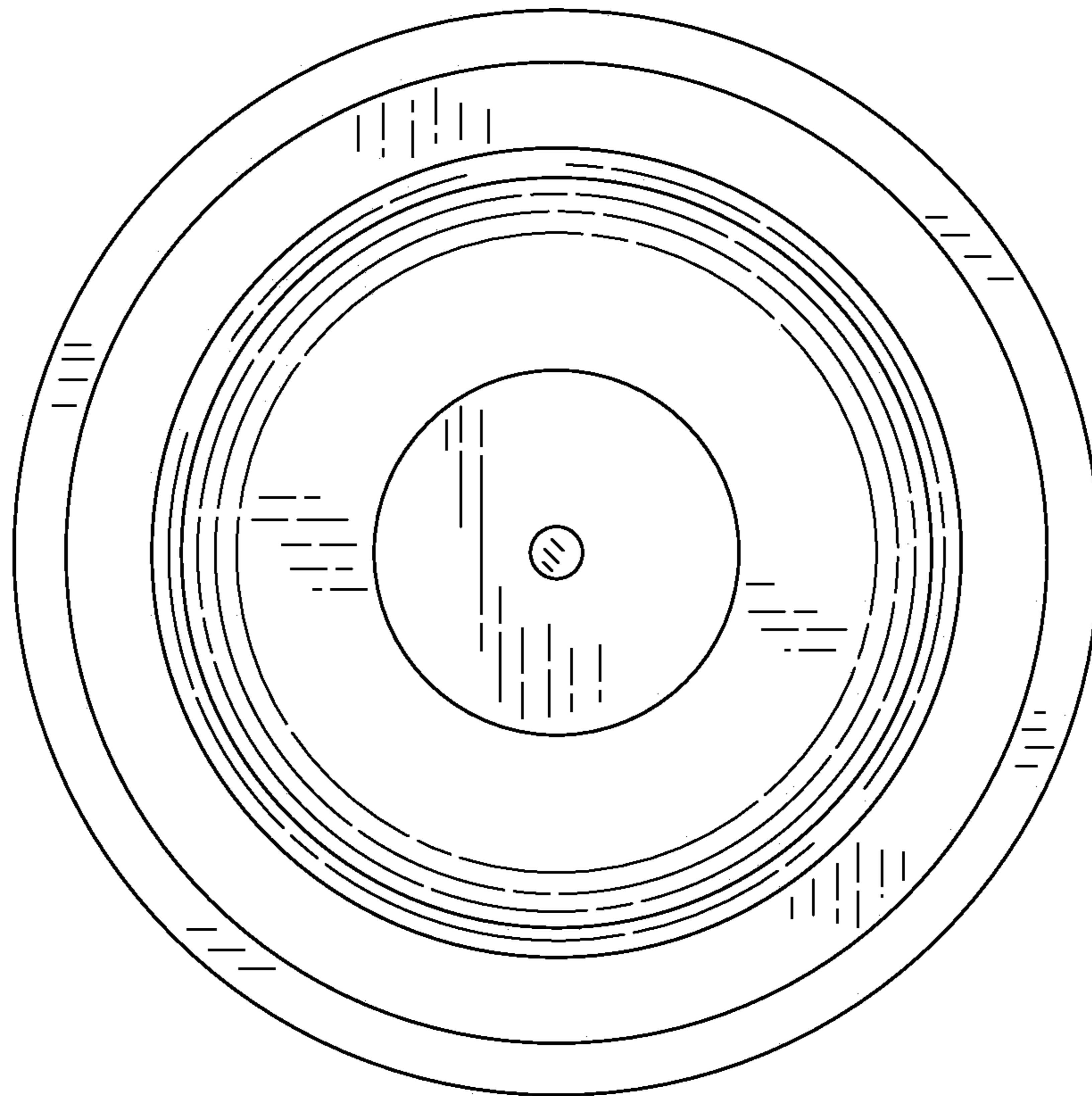


FIG. 5