



US00D941142S

(12) **United States Design Patent**
Lau et al.

(10) **Patent No.:** **US D941,142 S**
(45) **Date of Patent:** **** Jan. 18, 2022**

(54) **CONTAINER**

(71) Applicant: **Finest Products Limited**, Chaiwan (HK)

(72) Inventors: **Kwok Din Lau**, Chaiwan (HK); **Kwan Ming Jimmy Lau**, Chaiwan (HK)

(73) Assignee: **Finest Products Limited**, Chaiwan (HK)

(**) Term: **15 Years**

(21) Appl. No.: **29/721,709**

(22) Filed: **Jan. 22, 2020**

(30) **Foreign Application Priority Data**

Jul. 24, 2019 (CN) 201910672959.2

(51) **LOC (13) Cl.** **09-03**

(52) **U.S. Cl.**
USPC **D9/425**

(58) **Field of Classification Search**
USPC D7/601, 602; D9/420, 425-432, 737, D9/761

CPC ... B65D 1/00; B65D 1/26; B65D 1/34; B65D 1/40; B65D 11/00; B65D 11/20; B65D 21/00; B65D 21/02; B65D 21/0209; B65D 21/0233; B65D 81/34; B65D 81/3446; B65D 81/3453; B65D 2581/34; B65D 2581/3404; B65D 2581/3409

See application file for complete search history.

(56) **References Cited**

U.S. PATENT DOCUMENTS

D363,662 S * 10/1995 Plater D3/304
D496,560 S * 9/2004 Lerner D7/629
D513,376 S * 1/2006 Shannon D7/629
D644,884 S * 9/2011 Samartgis D7/602

D734,991 S * 7/2015 Carlson D7/602
D787,275 S * 5/2017 Carlson D7/602
D815,880 S * 4/2018 Mirchandani D7/354
D815,924 S * 4/2018 Croft D7/629
D850,218 S * 6/2019 Lum D7/629
D852,039 S * 6/2019 Troudt D9/425
D886,577 S * 6/2020 De Geyter D9/423

* cited by examiner

Primary Examiner — Janice Patyk

(74) *Attorney, Agent, or Firm* — Wolf, Greenfield & Sacks, P.C.

(57) **CLAIM**

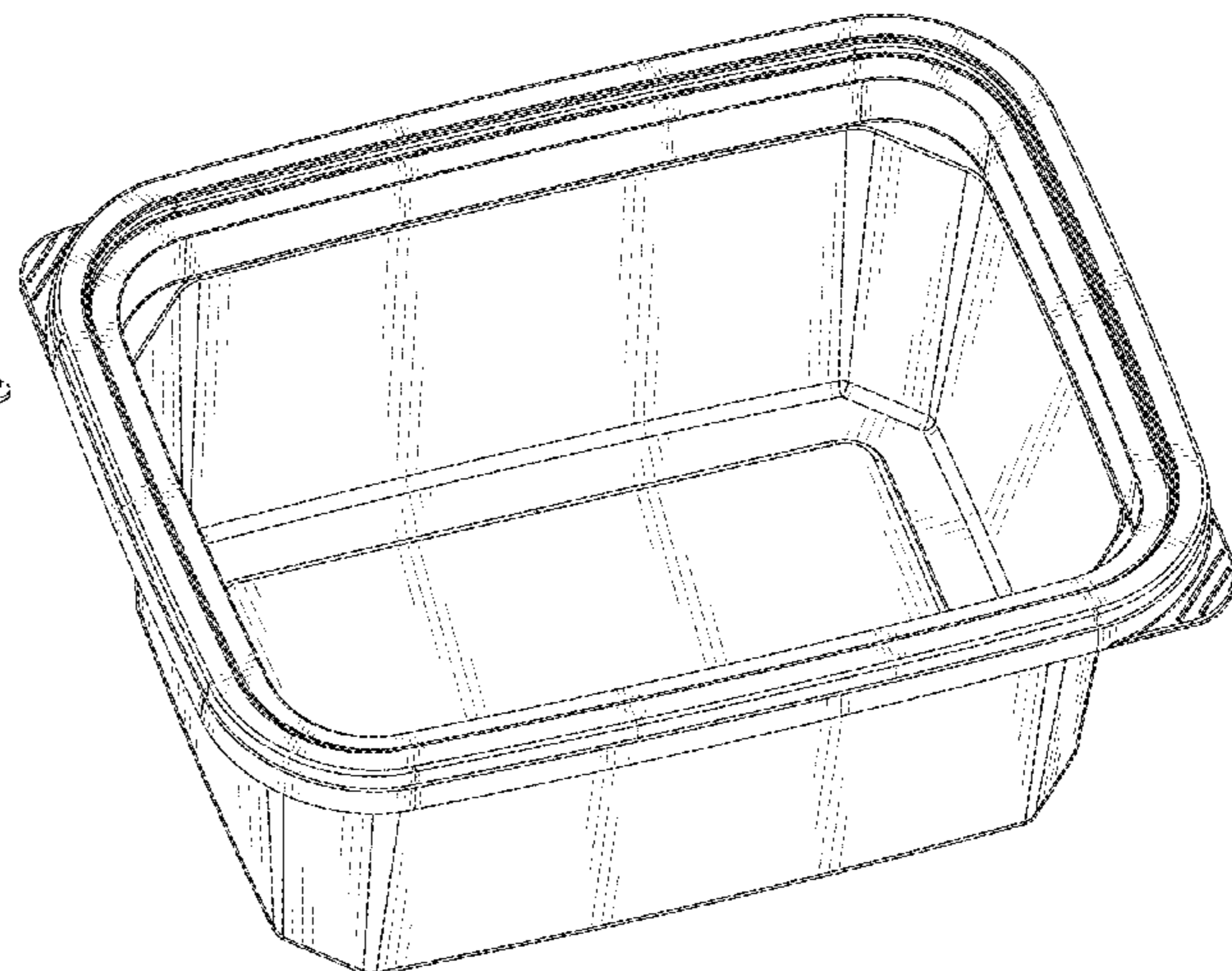
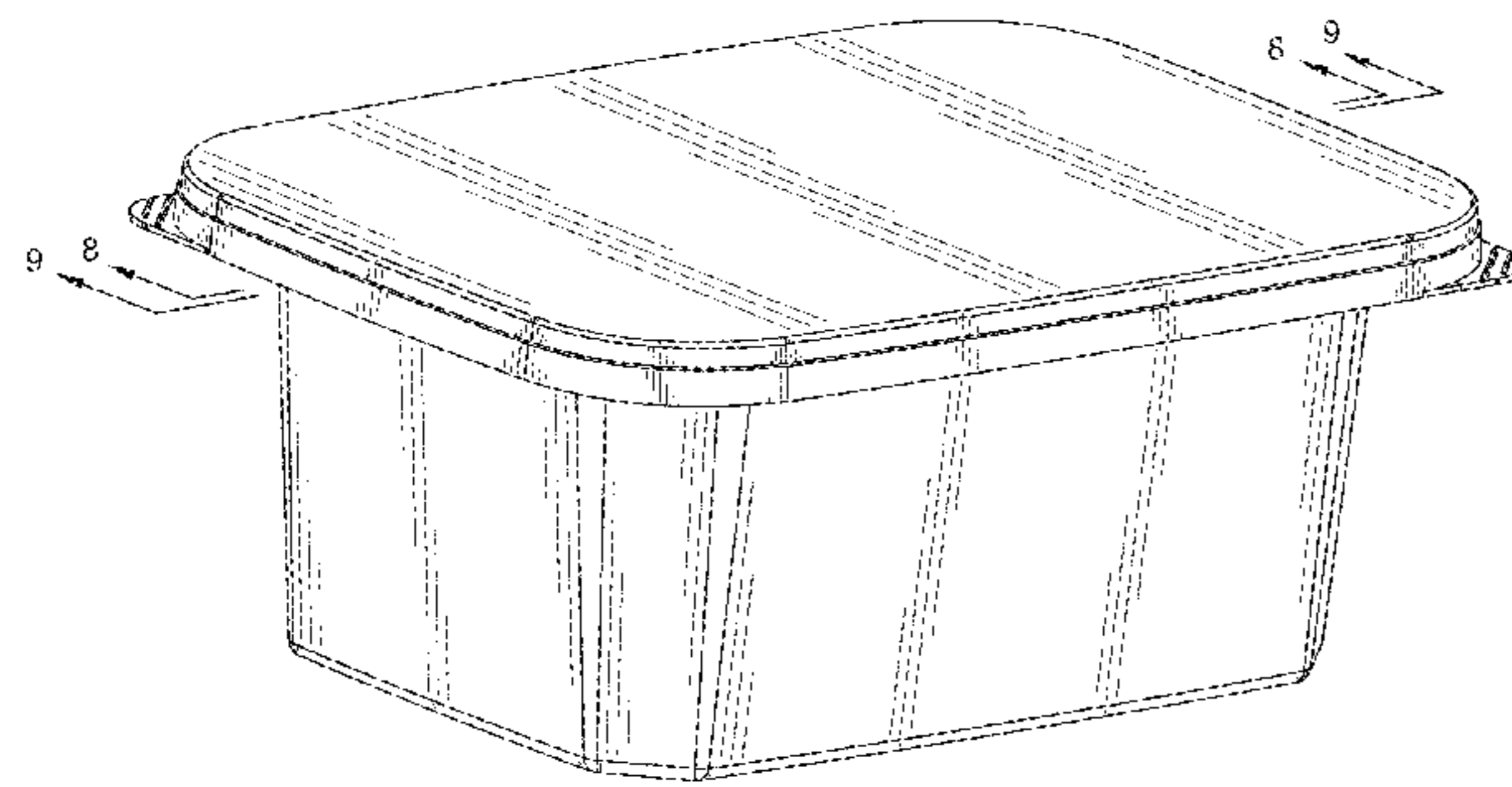
The ornamental design for a container, as shown and described.

DESCRIPTION

FIG. 1 is a top perspective view of a container, showing our new design;
FIG. 2 is a top perspective view of the container of FIG. 1, shown without the lid for ease of illustration;
FIG. 3 is a bottom perspective view of the container of FIG. 1;
FIG. 4 is a front elevation view of the container of FIG. 1, the rear elevation view being the same;
FIG. 5 is a left side elevation view of the container of FIG. 1, the right side elevation view being the same;
FIG. 6 is a top plan view of the container of FIG. 1, shown without the lid for ease of illustration;
FIG. 7 is a bottom plan view of the container of FIG. 1;
FIG. 8 is a cross-section view of the container of FIG. 1, taken along line 8-8 of FIG. 1; and
FIG. 9 is a cross-section view of the container of FIG. 1, taken along line 9-9 of FIG. 1, shown with the lid in open condition.

The broken line hand in FIG. 9 illustrates environmental subject matter that form no part of the claimed design.

1 Claim, 9 Drawing Sheets



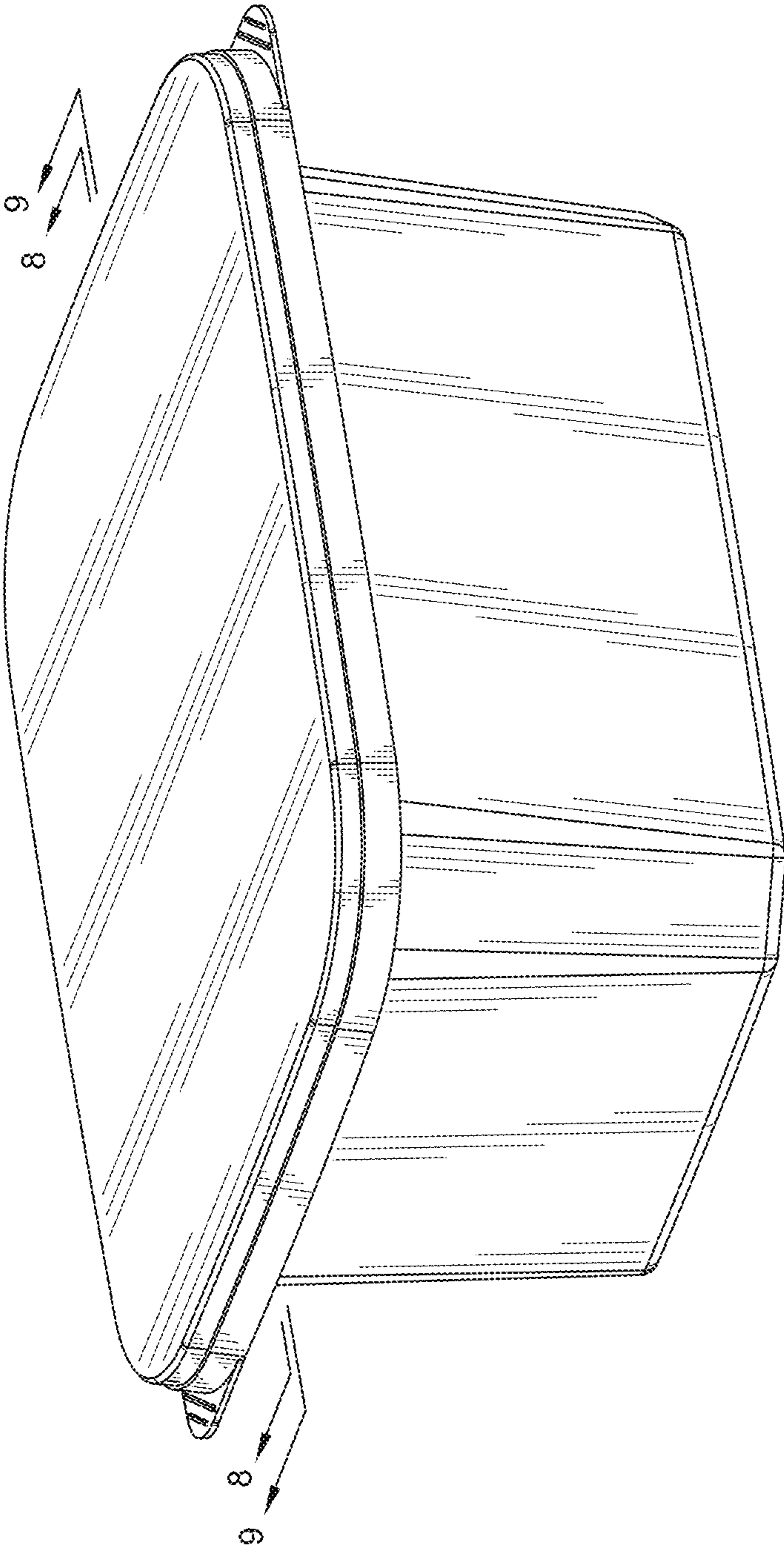


FIG. 1

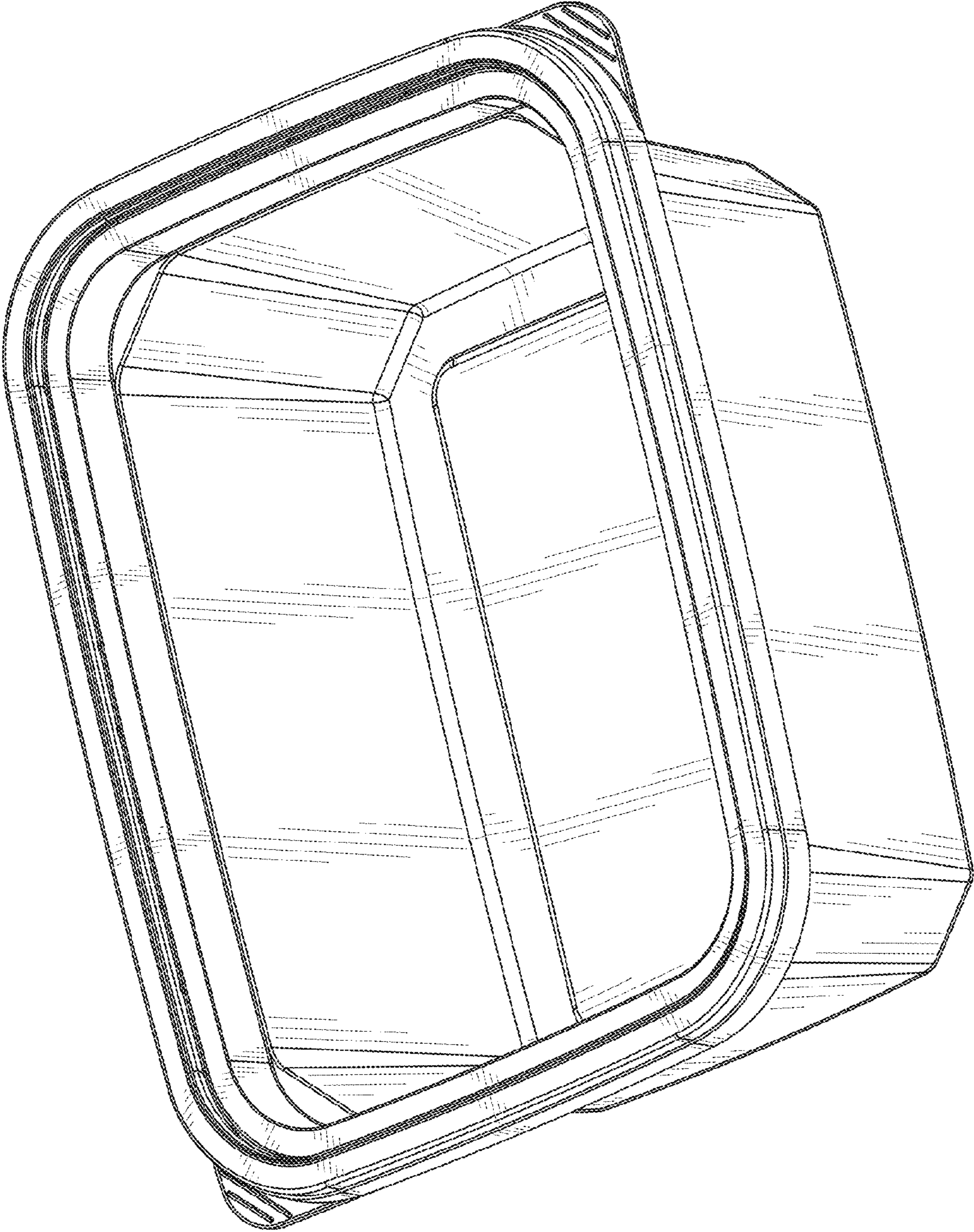


FIG. 2

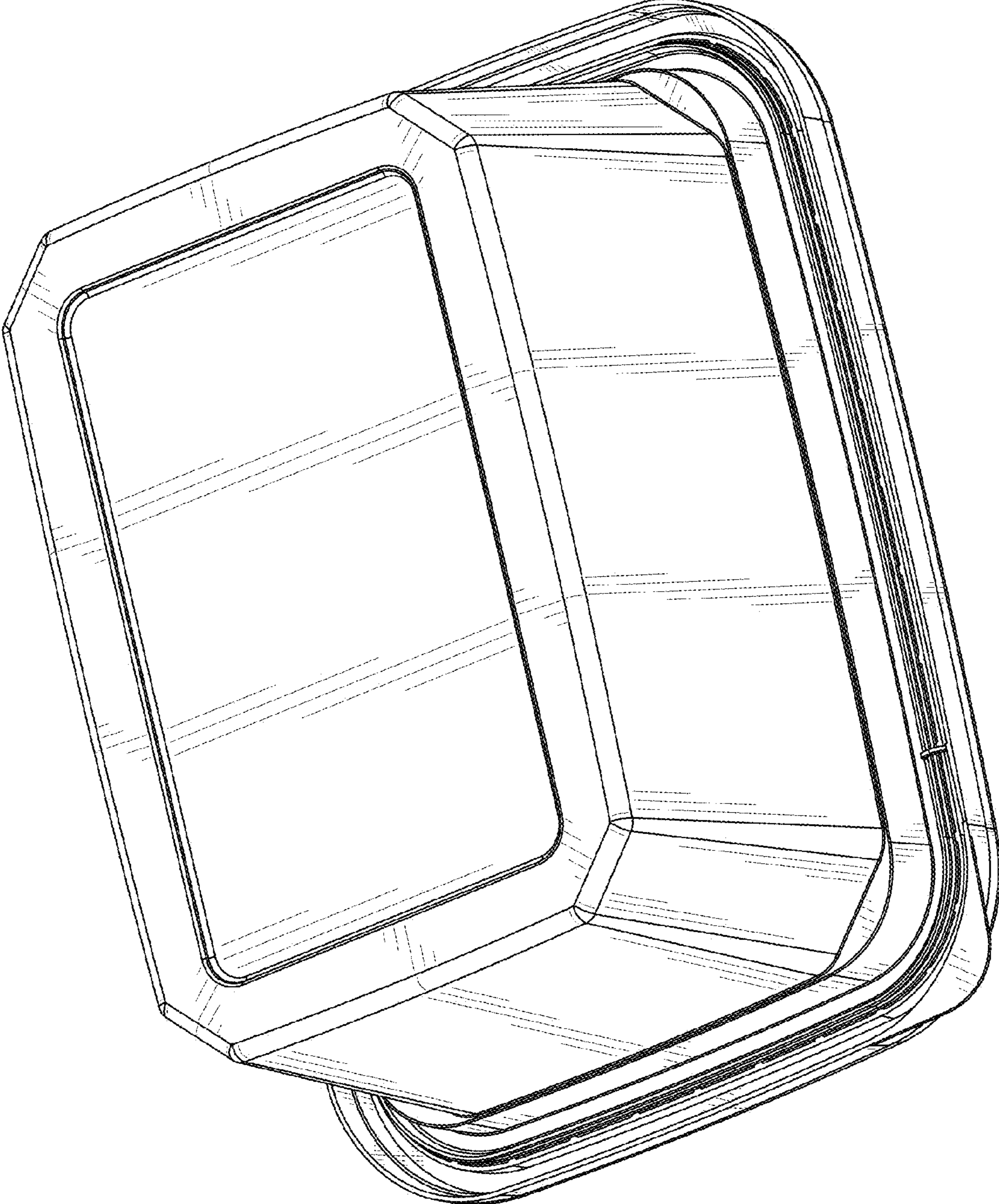


FIG. 3

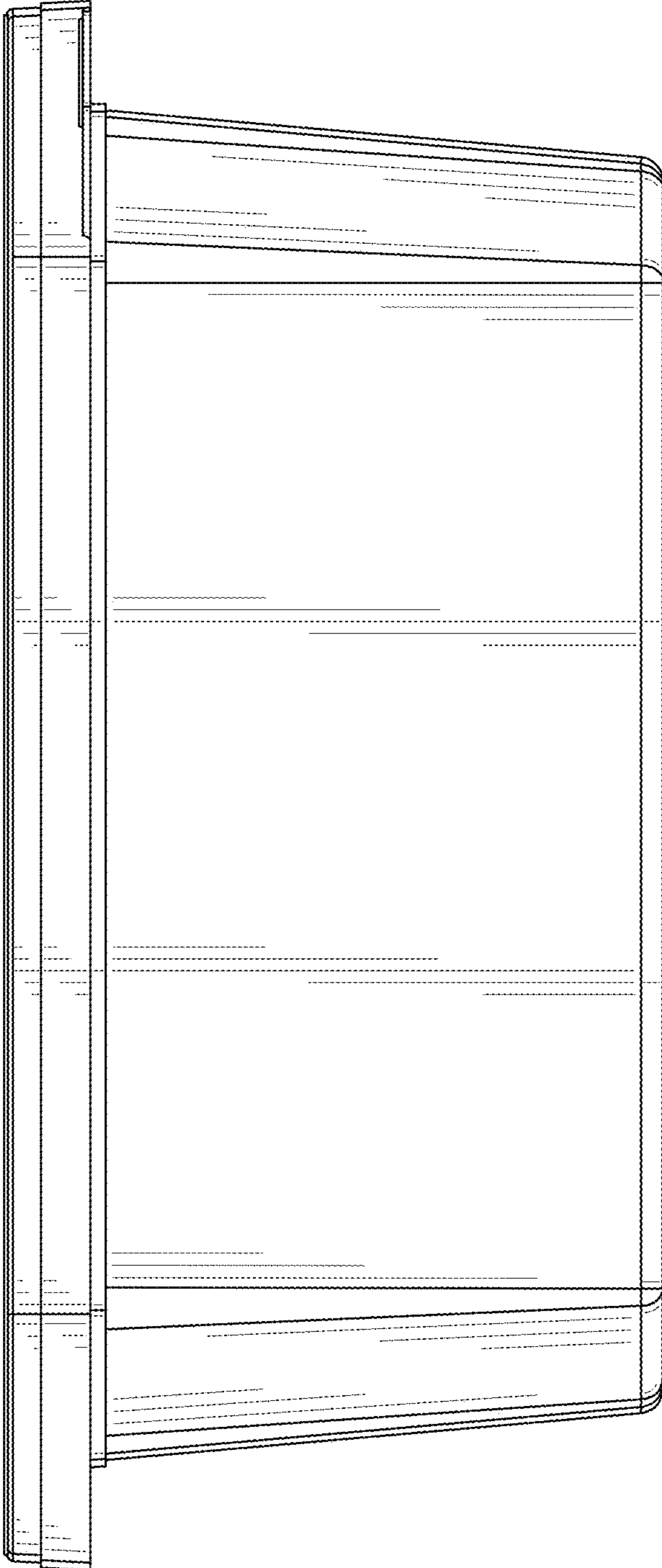


FIG. 4

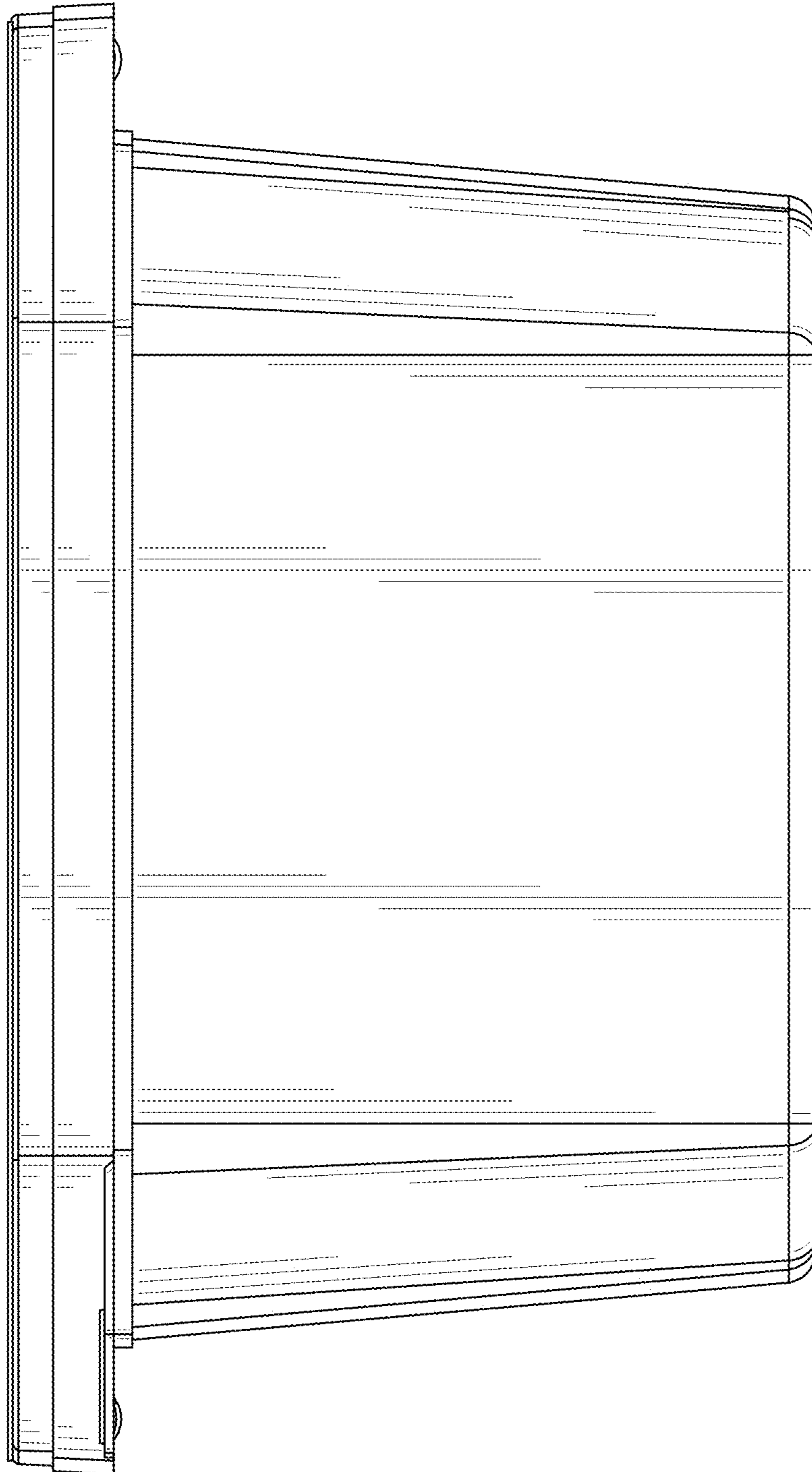


FIG. 5

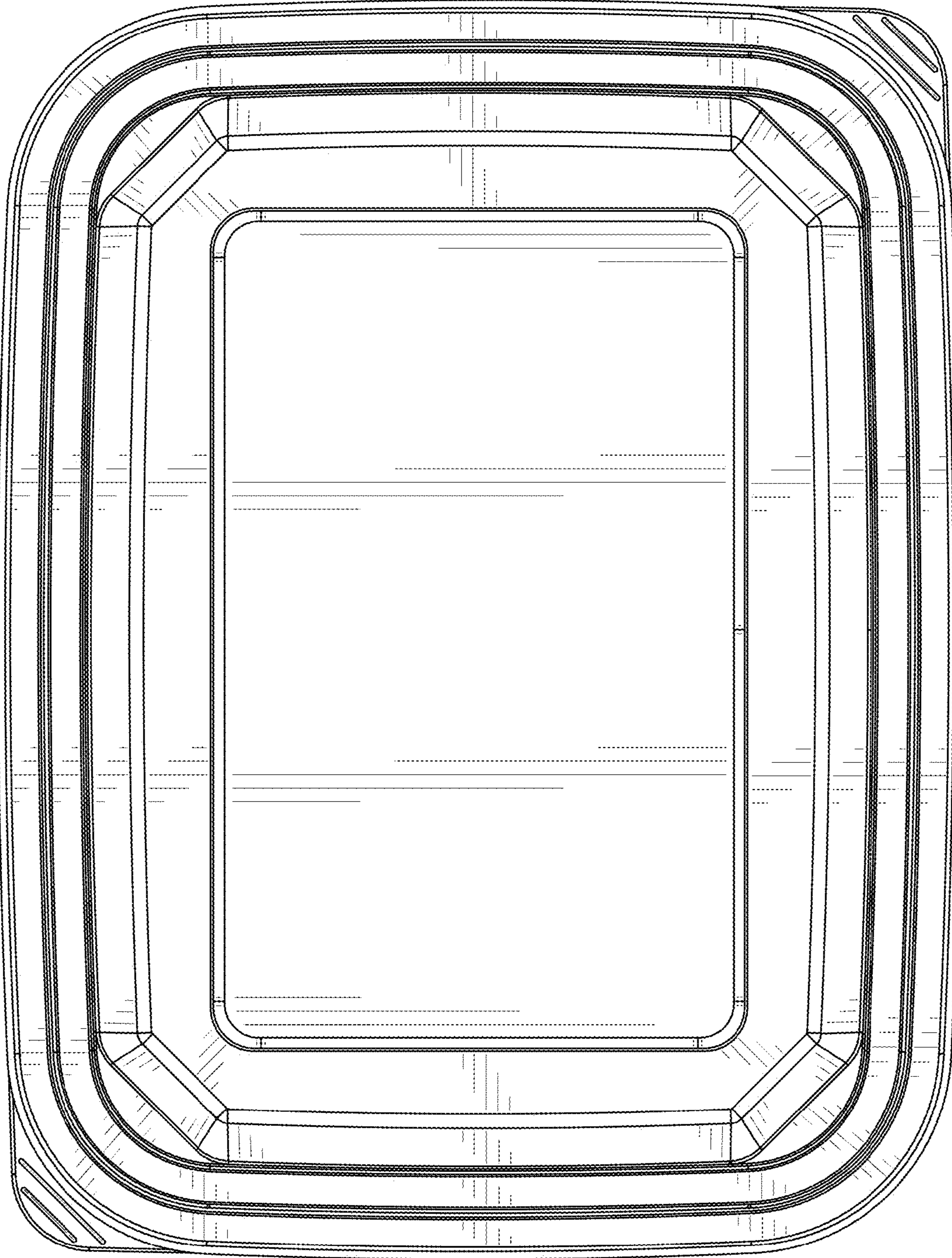


FIG. 6

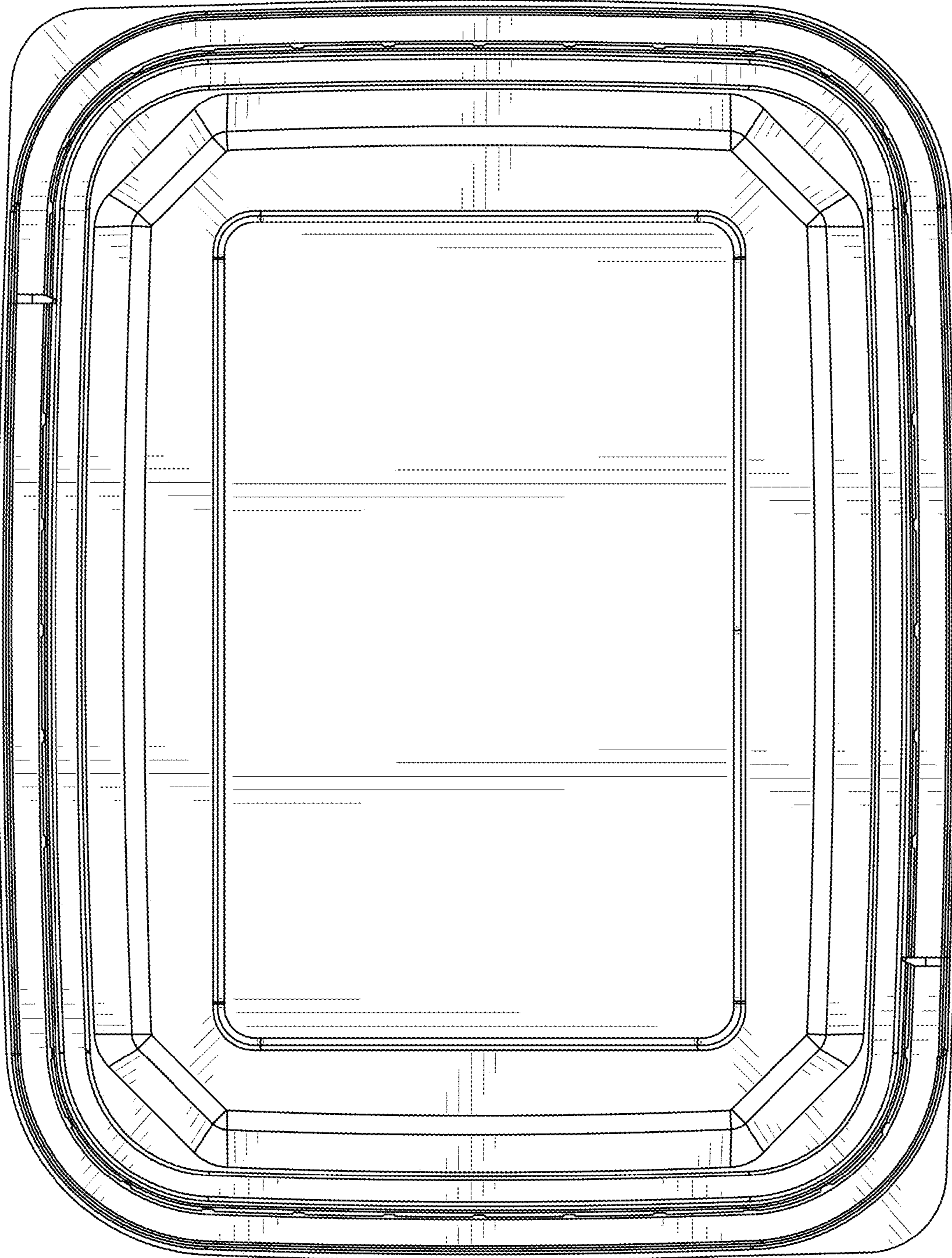


FIG. 7

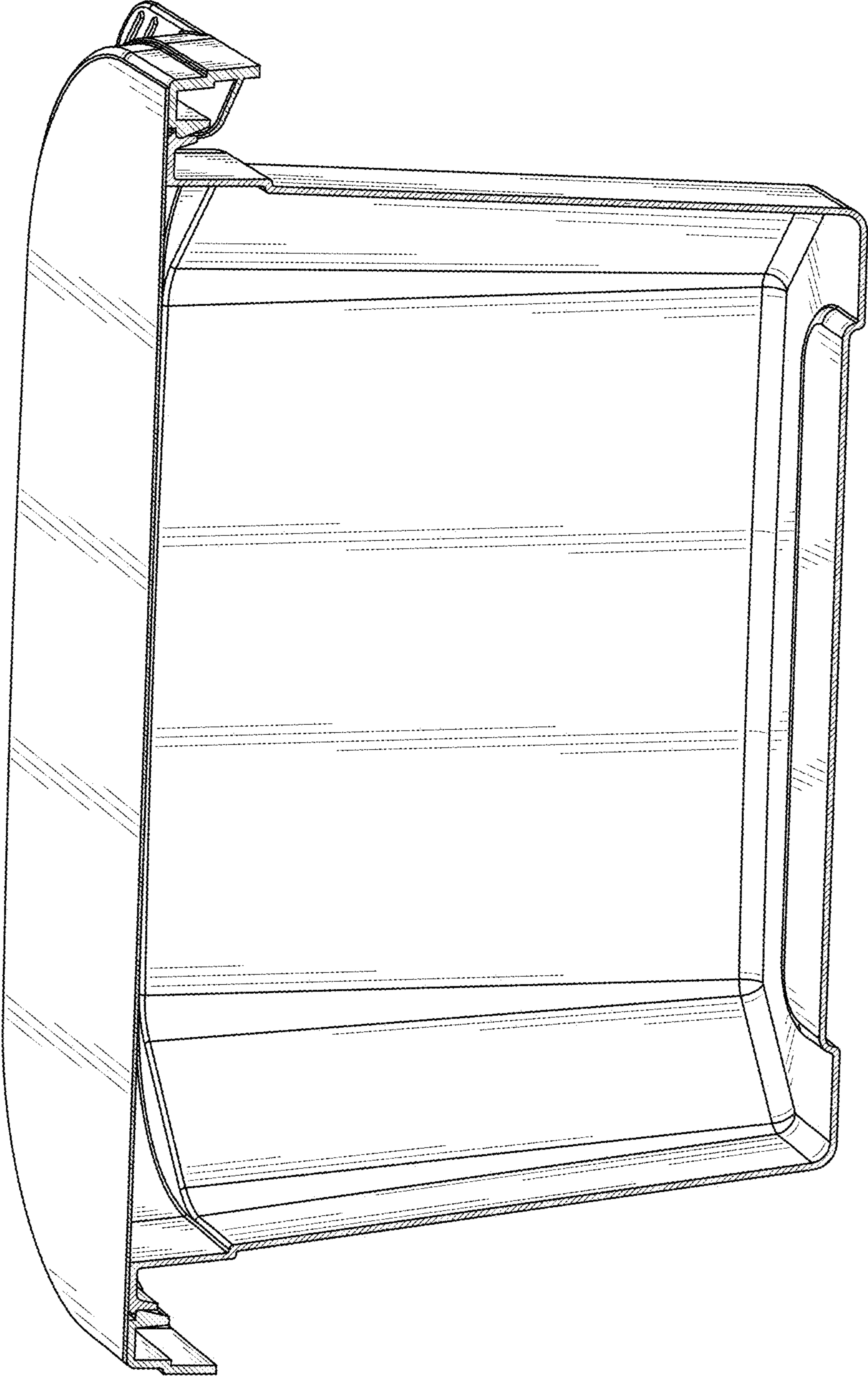


FIG. 8

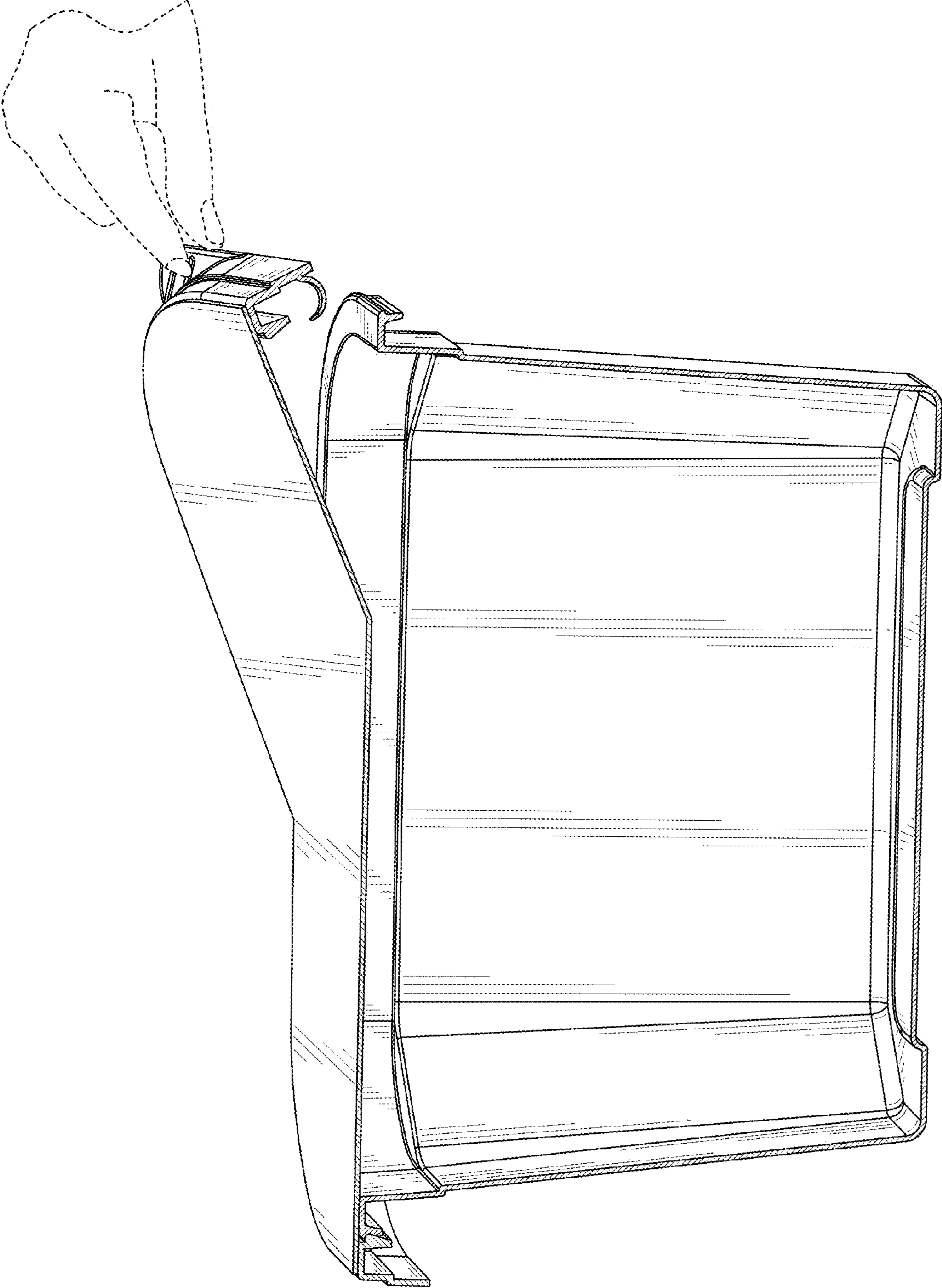


FIG. 9