

US00D941141S

(12) **United States Design Patent**
Pincus et al.

(10) **Patent No.:** **US D941,141 S**
(45) **Date of Patent:** **** Jan. 18, 2022**

- (54) **PACKAGING FOR DEVICE**
- (71) Applicant: **Facebook Technologies, LLC**, Menlo Park, CA (US)
- (72) Inventors: **Derek Pincus**, Sunnyvale, CA (US);
Jonathan Rathbone, Seattle, WA (US);
Meredith Elizabeth Radzikowski, Seattle, WA (US)
- (73) Assignee: **Facebook Technologies, LLC**, Menlo Park, CA (US)

(**) Term: **15 Years**

(21) Appl. No.: **29/708,632**

(22) Filed: **Oct. 8, 2019**

(51) **LOC (13) Cl.** **09-03**

(52) **U.S. Cl.**
USPC **D9/420**

(58) **Field of Classification Search**
USPC D9/420, 414-418, 721, 422, 423, 432,
D9/419, 759; D3/203.3, 295; D27/189
CPC B65D 77/0413; B65D 77/26; B65D 25/02;
B42F 17/02; A61J 1/035
See application file for complete search history.

(56) **References Cited**

U.S. PATENT DOCUMENTS

3,126,093	A *	3/1964	Bradley	B65D 25/02
					206/752
D292,876	S *	11/1987	Grunhut	D9/423
D366,210	S *	1/1996	McConner	D9/423
D385,781	S *	11/1997	Levine	D9/423
6,533,166	B1 *	3/2003	Kaiss	B42F 17/02
					206/425
D521,862	S *	5/2006	Siethoff	D9/432
D536,245	S *	2/2007	Bruun	D9/422
D591,951	S *	5/2009	Peters	D3/295
D606,394	S *	12/2009	Stewart	D9/423

8,011,512	B2 *	9/2011	Brollier	A61J 1/035
					206/531
D669,352	S *	10/2012	Paslowski	D9/423
D755,641	S *	5/2016	O'Neill	B65D 77/0413
					D9/721
D803,043	S *	11/2017	Greenspan	D9/423

(Continued)

Primary Examiner — Rhea Shields

(74) *Attorney, Agent, or Firm* — FisherBroyles, LLP

(57) **CLAIM**

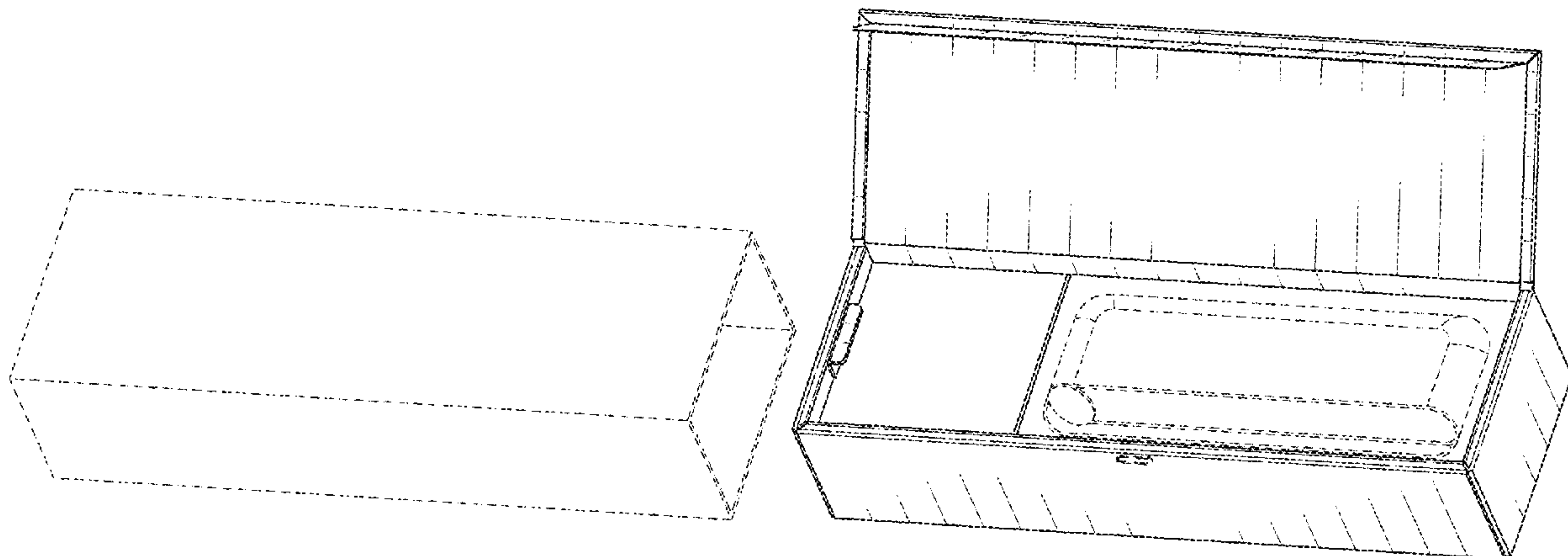
The ornamental design for a packaging for device, as shown and described.

DESCRIPTION

FIG. 1 is a partially exploded perspective view of the packaging for device, shown in an open configuration; FIG. 2 is another partially exploded perspective view thereof; FIG. 3 is a top view thereof; FIG. 4 is a bottom view thereof; FIG. 5 is a front view thereof; FIG. 6 is a back view thereof; FIG. 7 is a left side view thereof; FIG. 8 is a right side view thereof; FIG. 9 is a bottom, back perspective view of the design shown in FIG. 1 in a closed configuration and in an environment; FIG. 10 is a top, front perspective view of the design shown in FIG. 1 in a closed configuration and without environment; FIG. 11 is a back view thereof; FIG. 12 is a front view thereof; FIG. 13 is a left side view thereof; FIG. 14 is a right side view thereof; FIG. 15 is a top view thereof; and, FIG. 16 is a bottom view thereof.

In the drawings, the broken lines are for the purpose of illustrating environment and portions of the packaging for device that form no part of the claimed design.

1 Claim, 9 Drawing Sheets



(56)

References Cited

U.S. PATENT DOCUMENTS

D811,005 S * 2/2018 Fath D27/189
D819,439 S * 6/2018 Young D9/420
D821,088 S * 6/2018 Kim D3/203.3
D825,328 S * 8/2018 Simpson D9/432
10,053,274 B1 * 8/2018 O'Neill B65D 77/26
D829,569 S * 10/2018 O'Neill D9/759
D854,413 S * 7/2019 Joo D9/432
D887,858 S * 6/2020 Razes D9/721
D891,247 S * 7/2020 Kim D9/432
D895,418 S * 9/2020 Kim D9/419

* cited by examiner

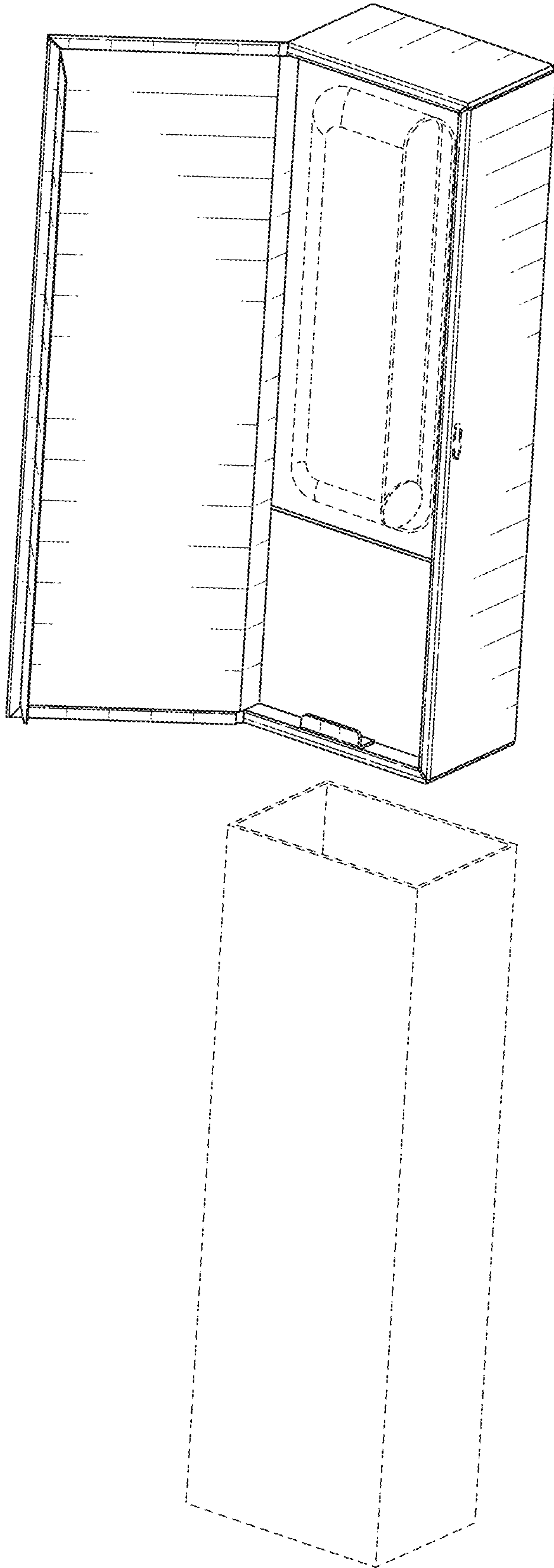


FIG. 1

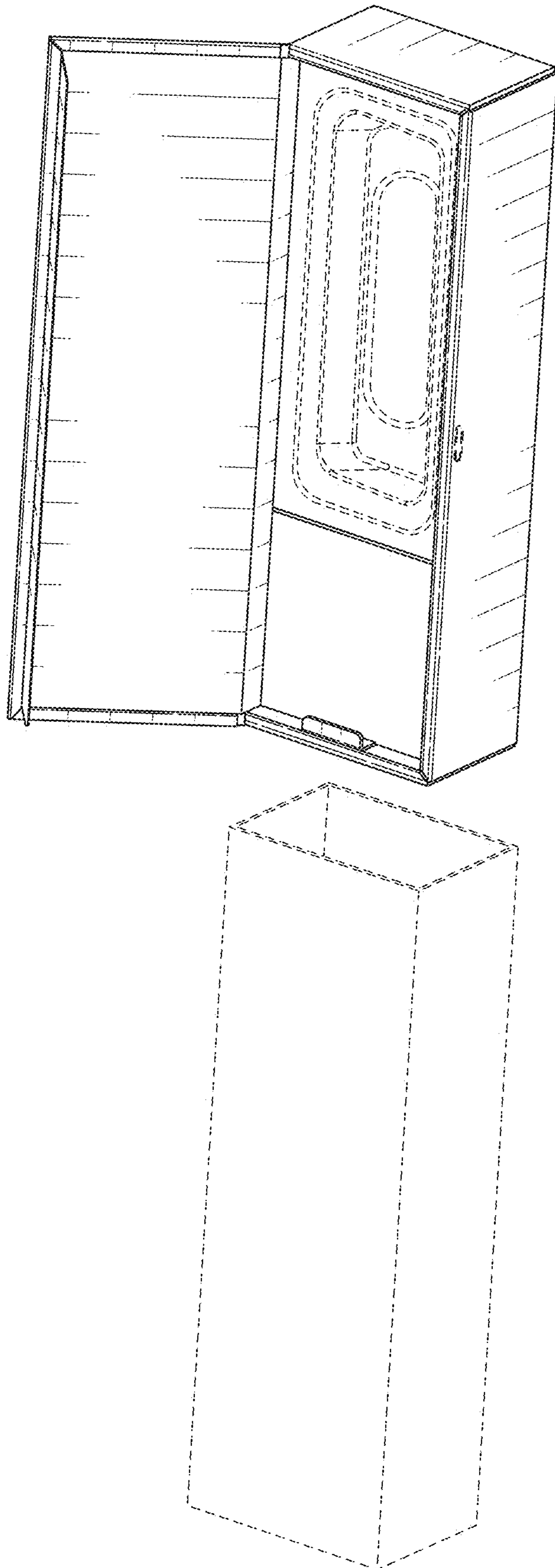


FIG. 2

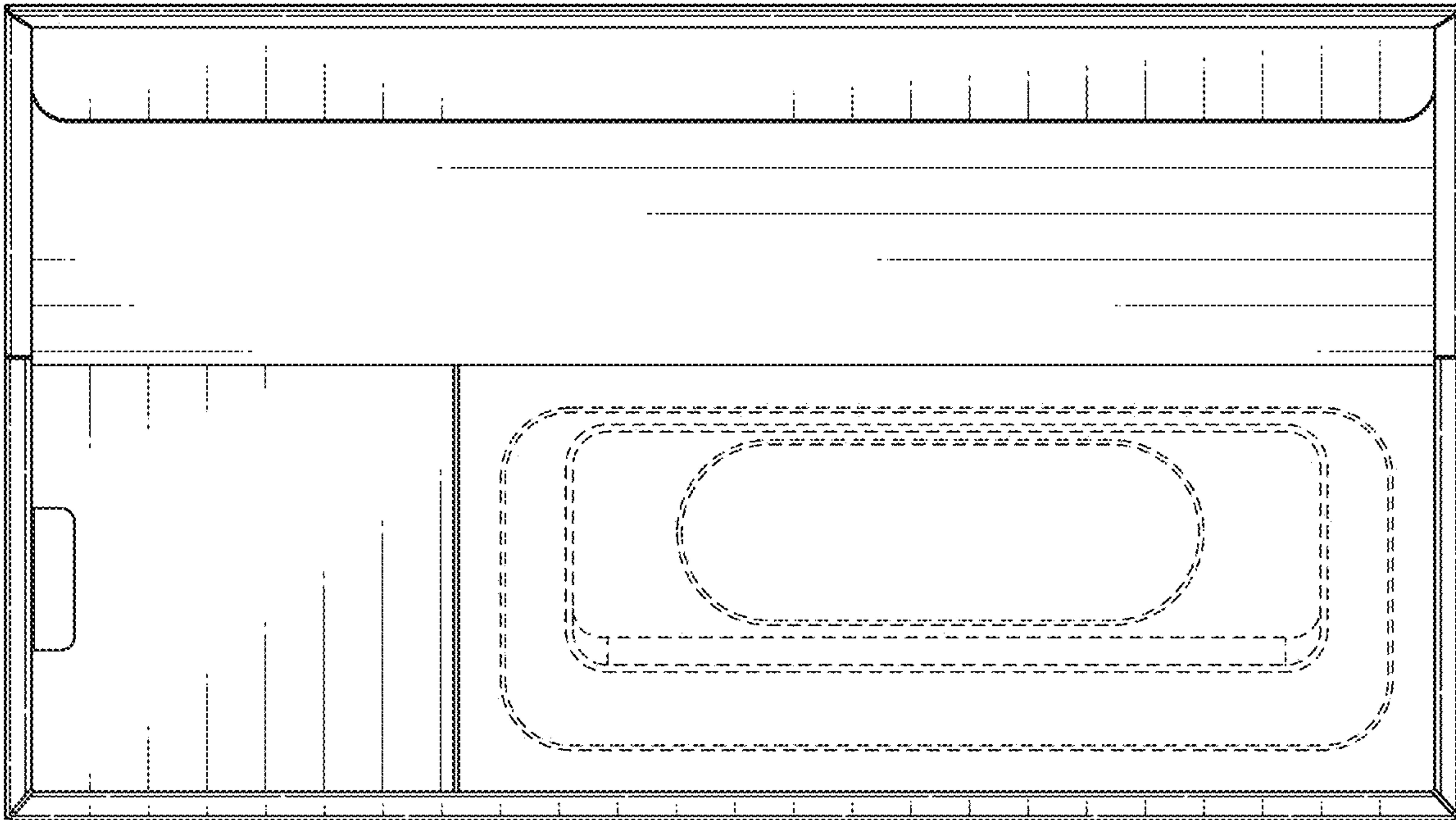


FIG. 3

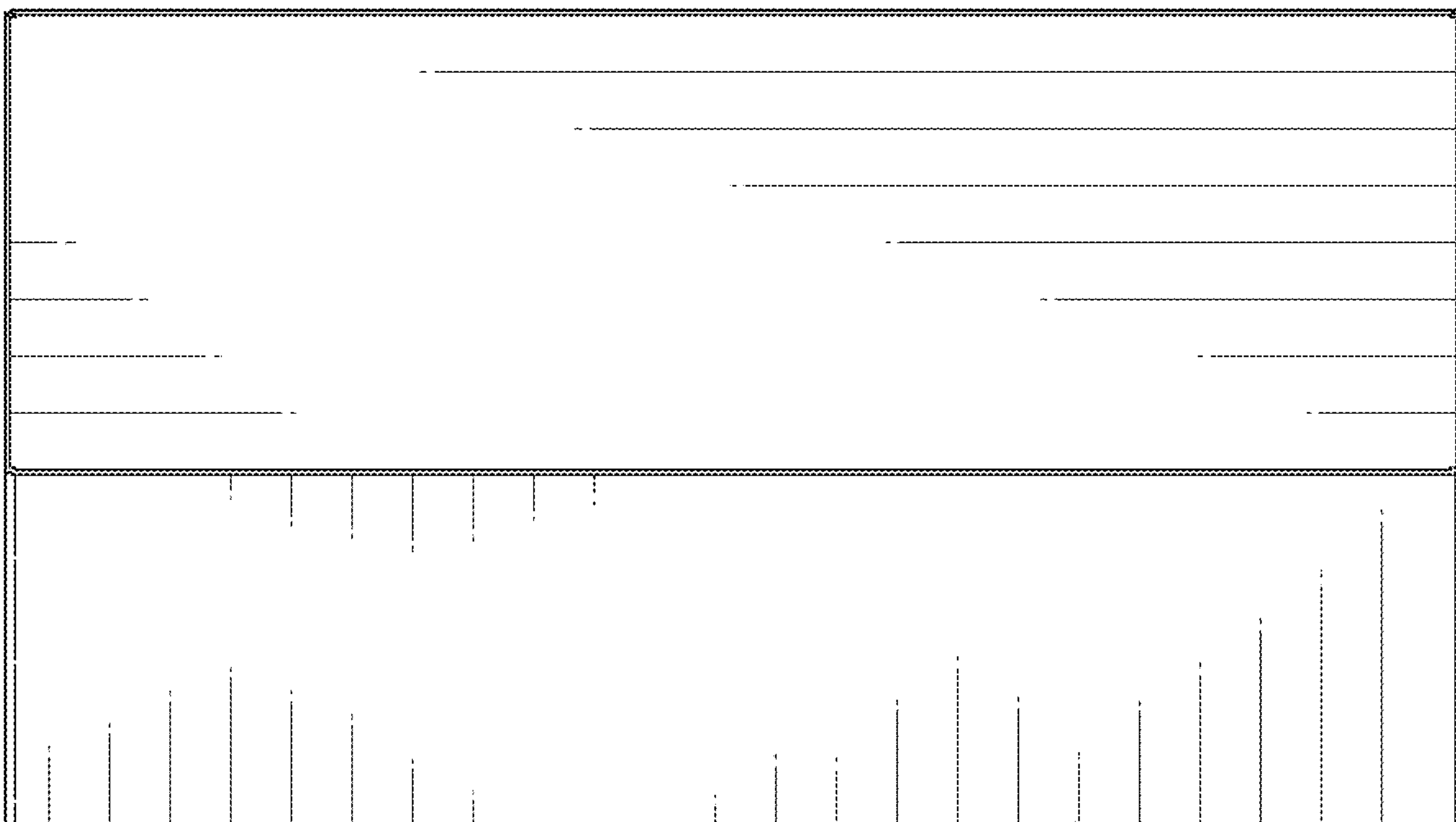


FIG. 4

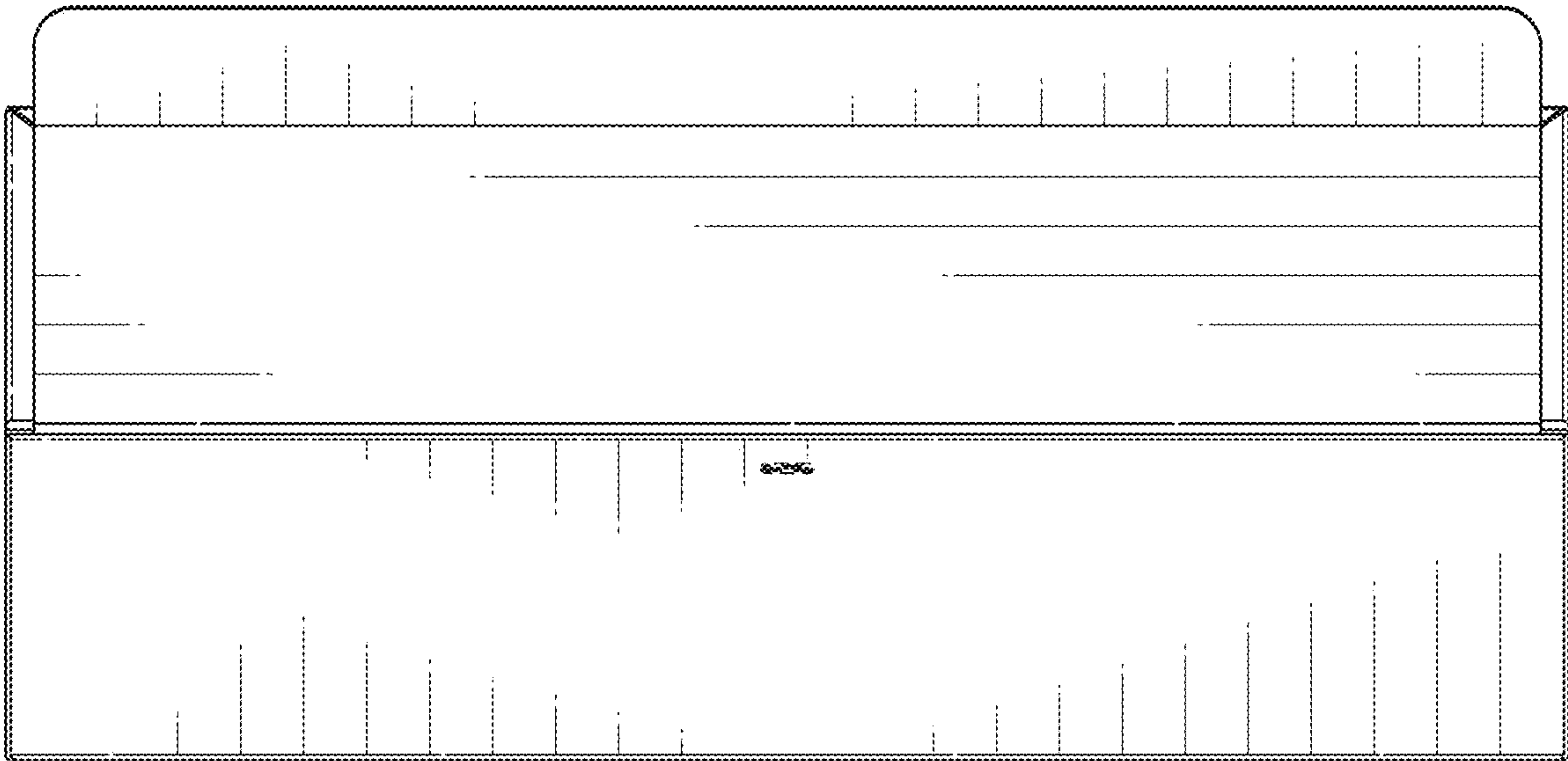


FIG. 5

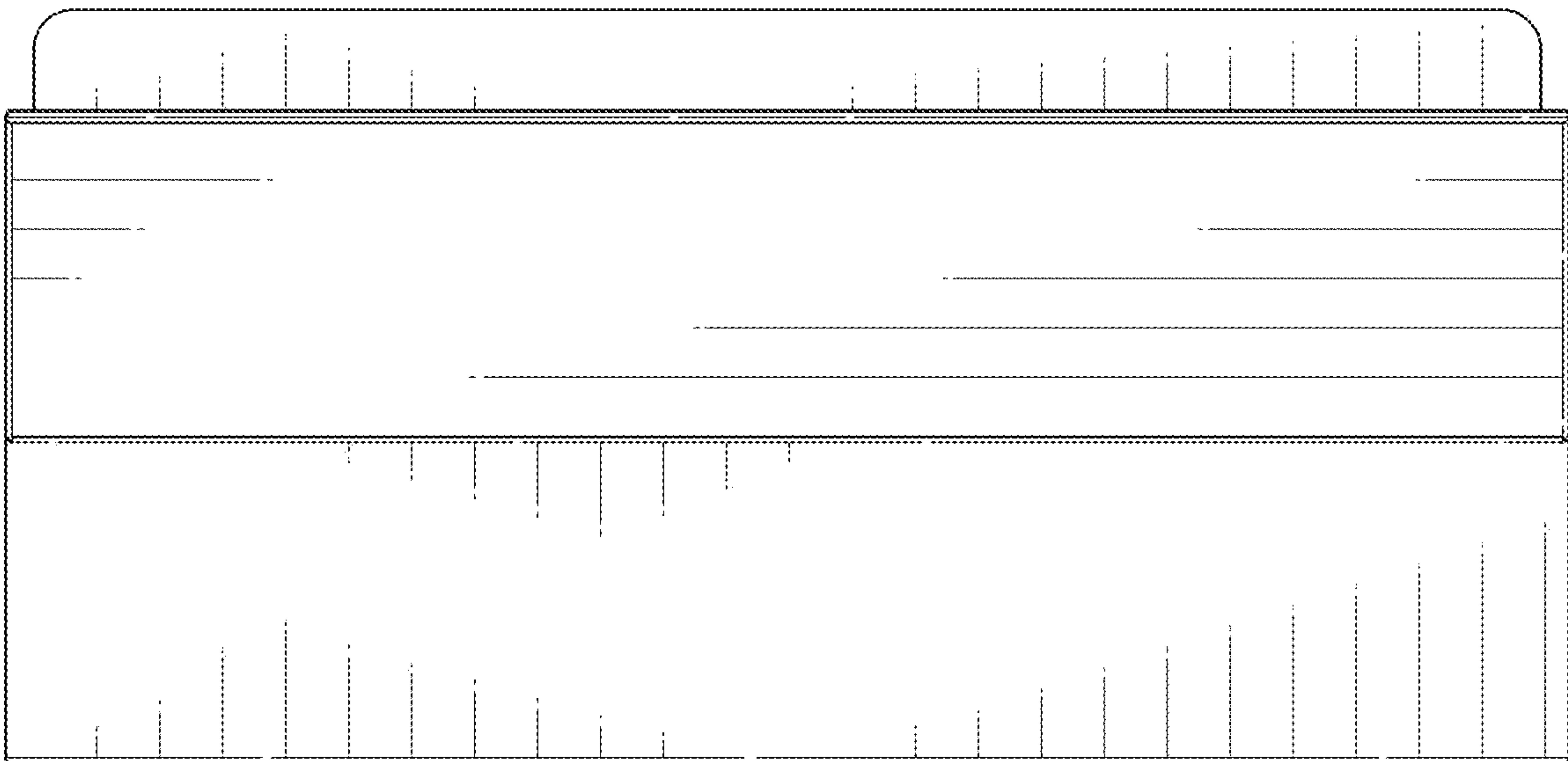


FIG. 6

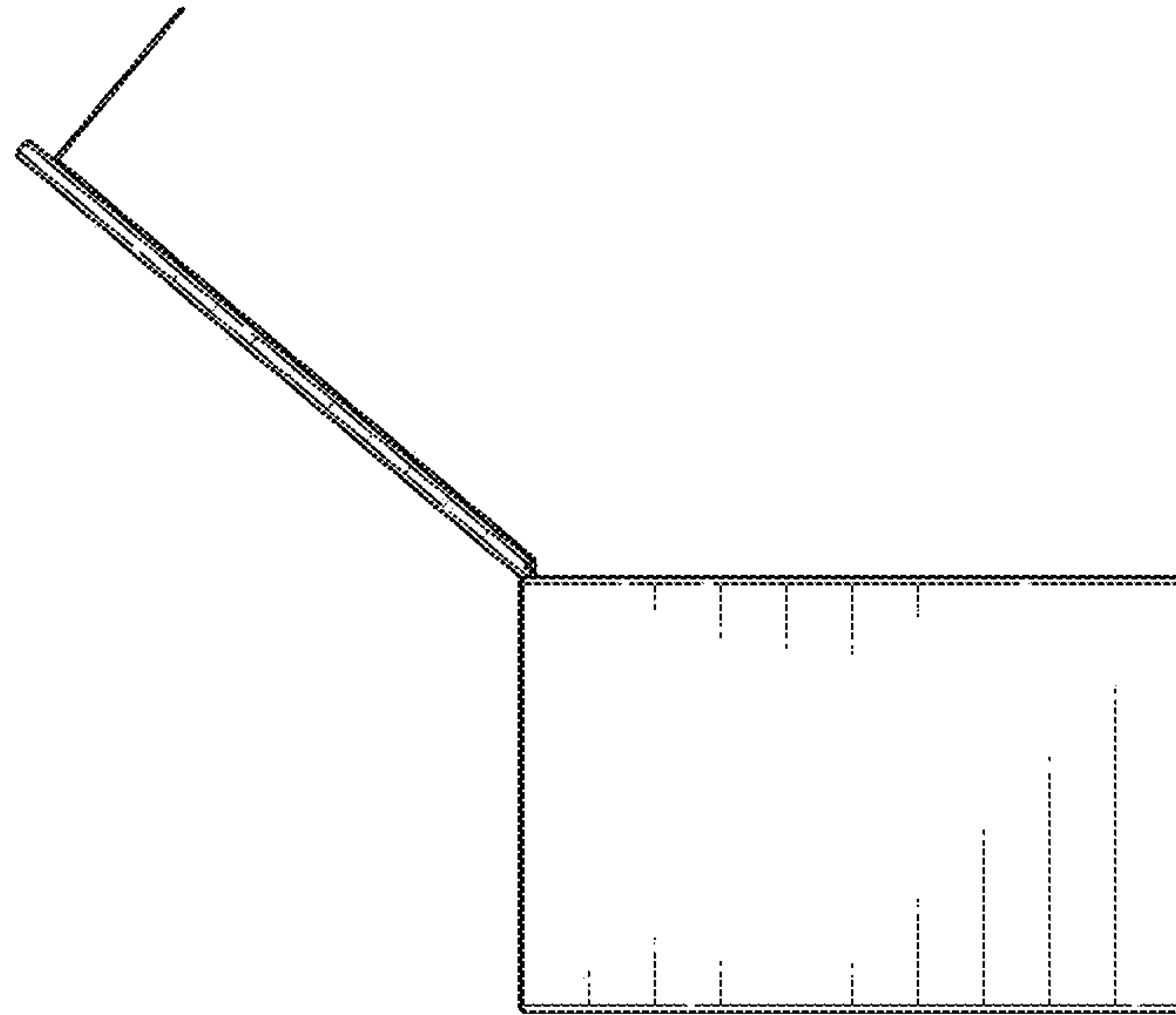


FIG. 7

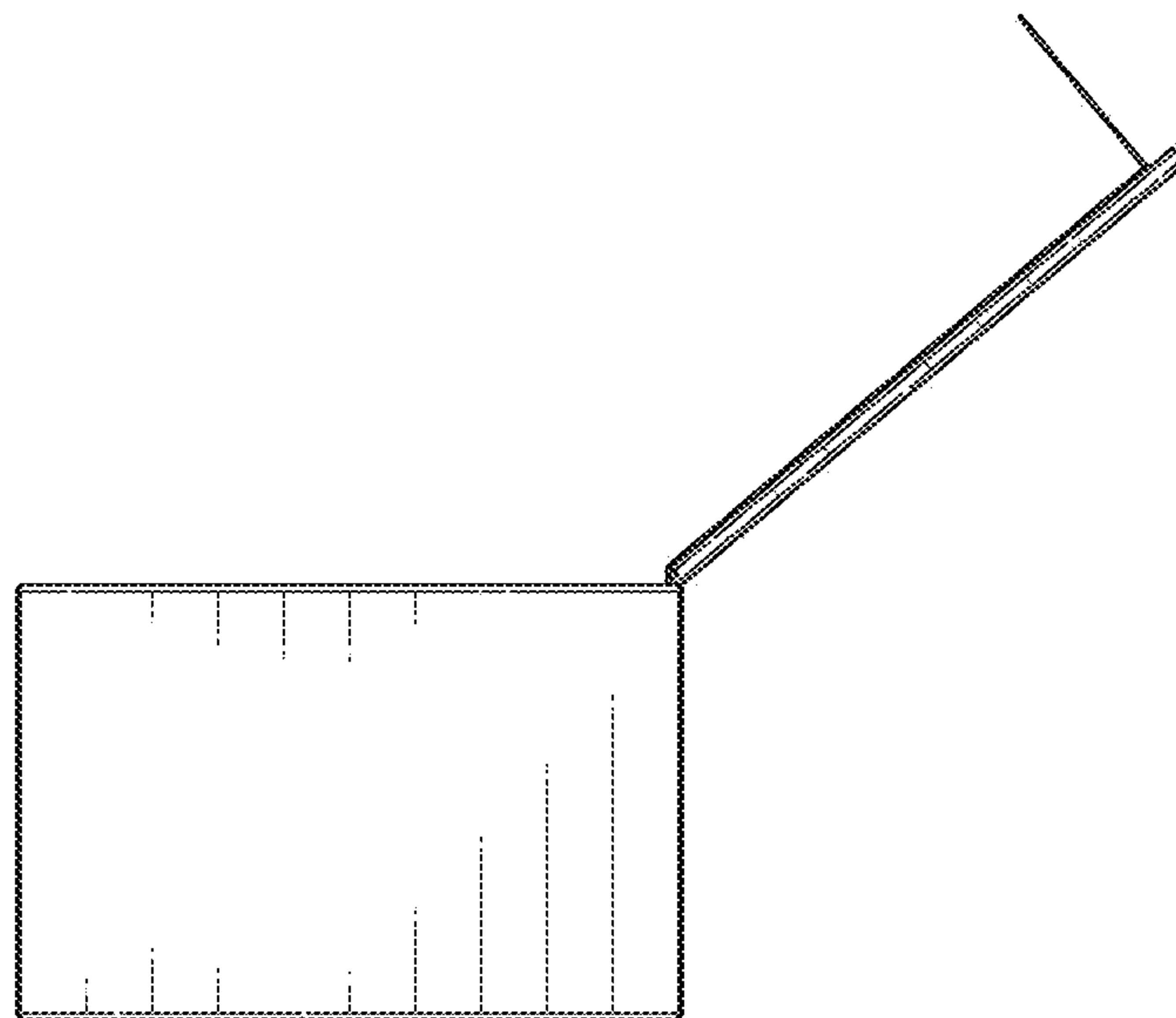


FIG. 8

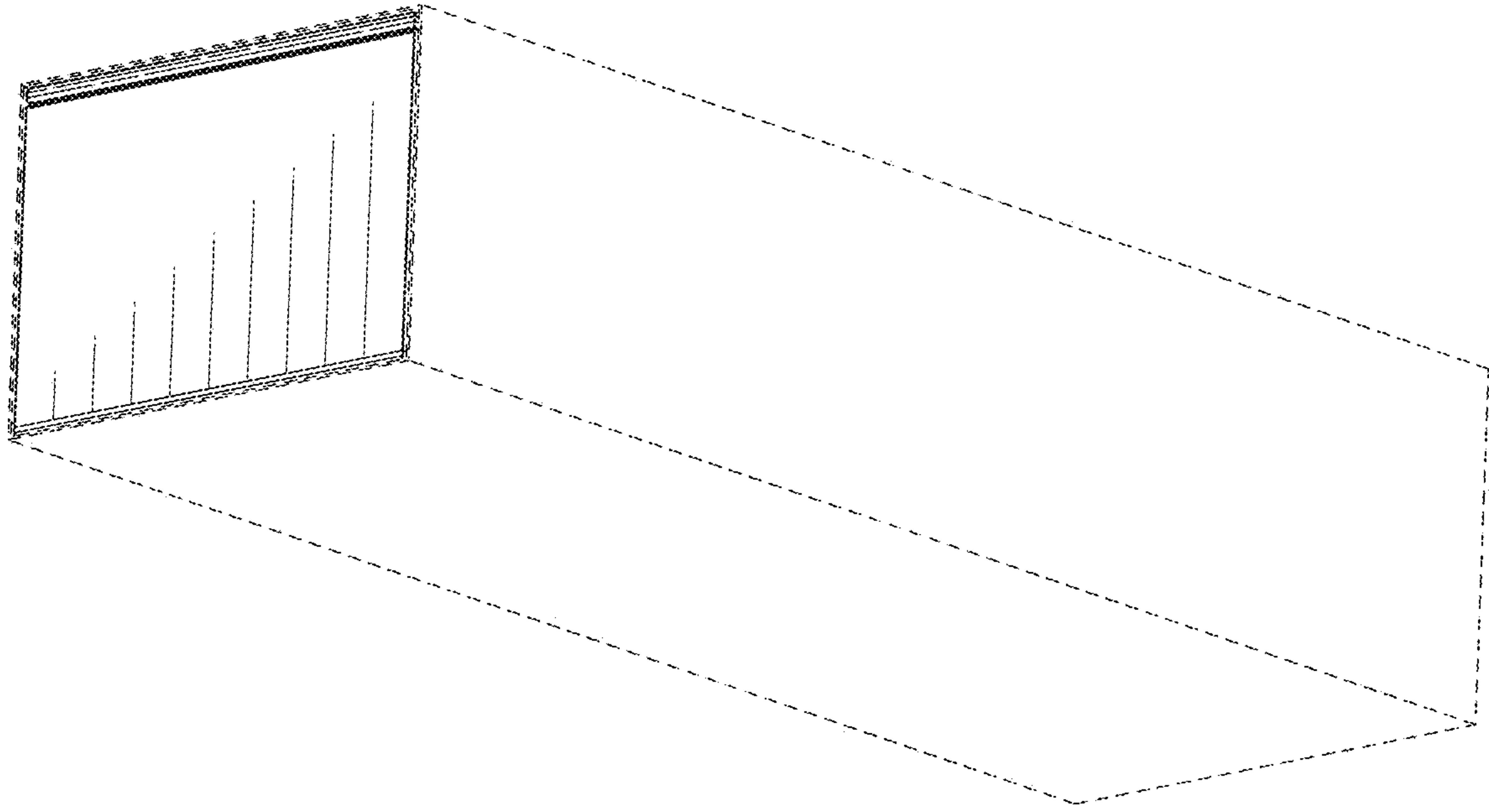


FIG. 9

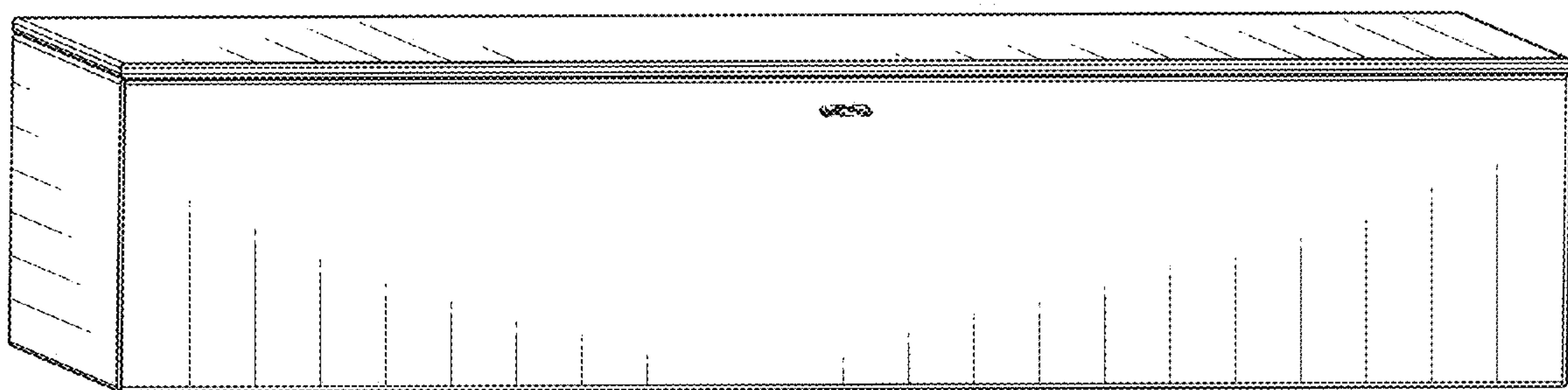


FIG. 10

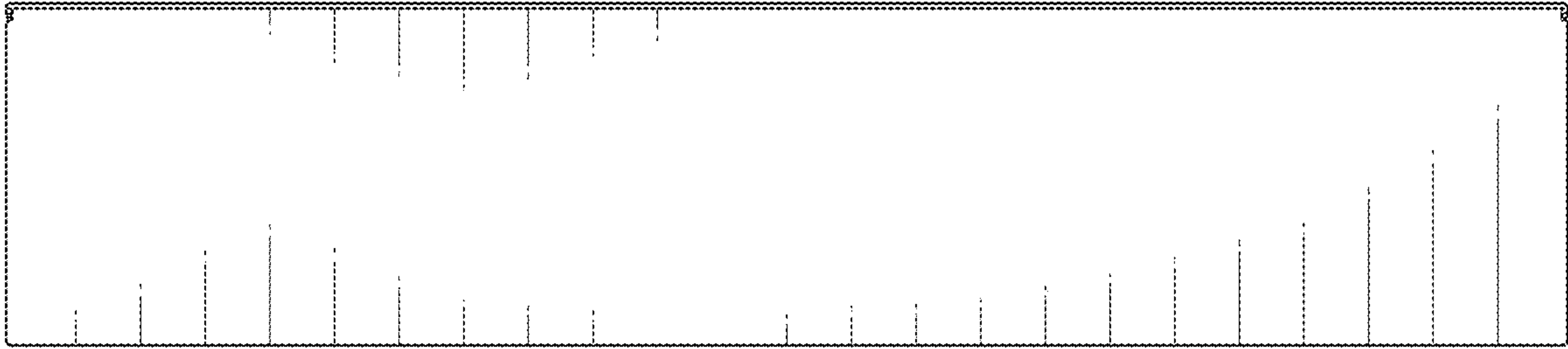


FIG. 11

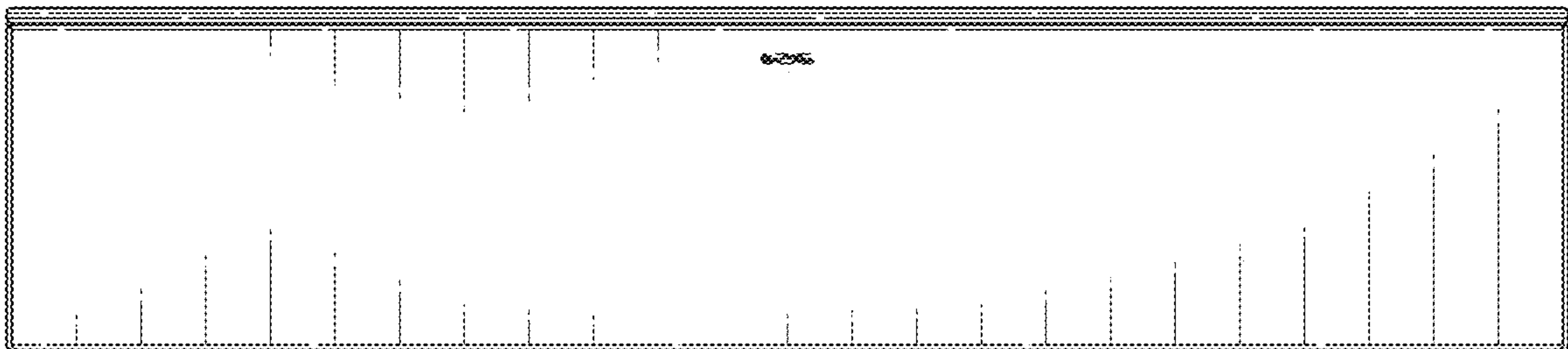


FIG. 12

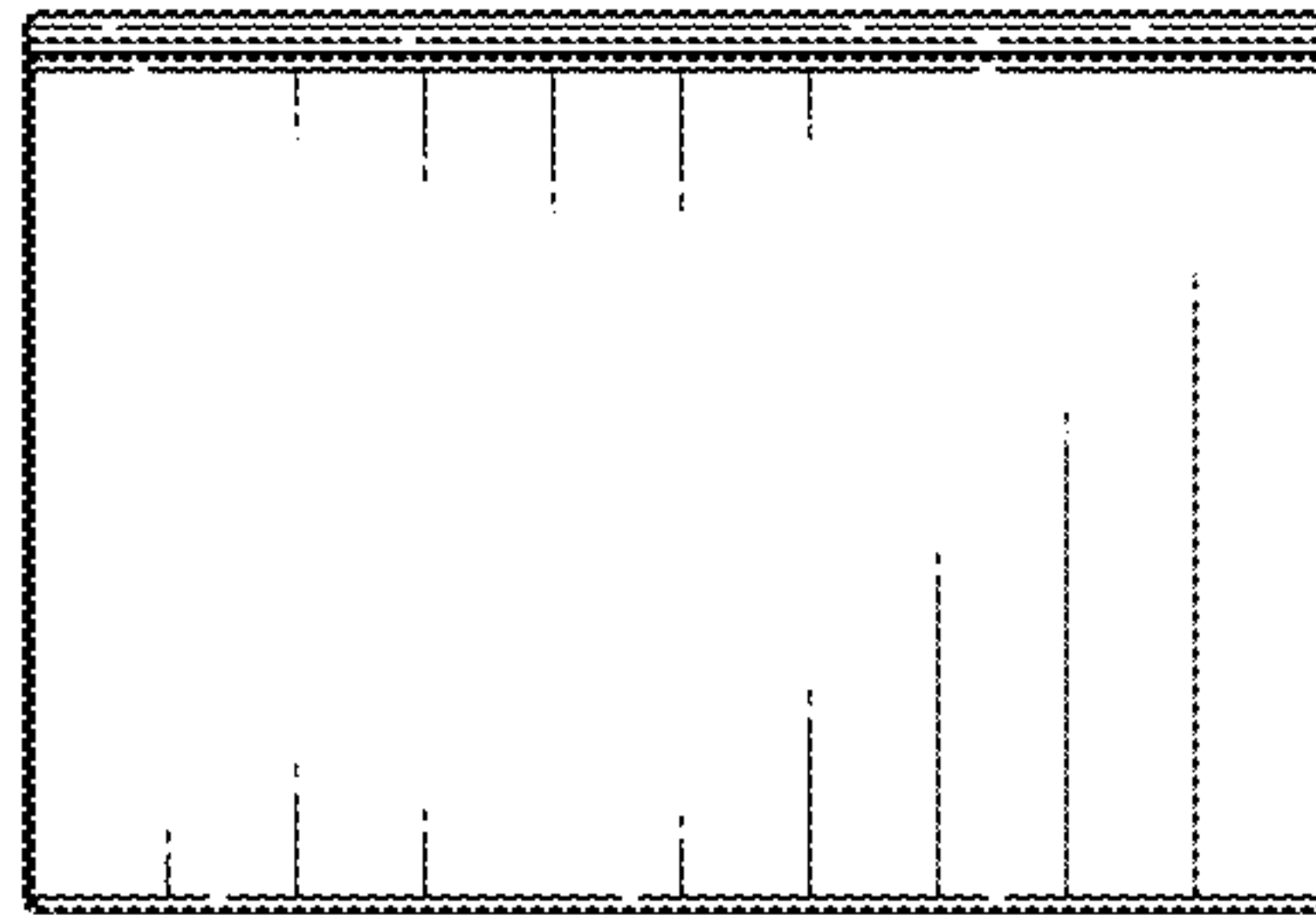


FIG. 13

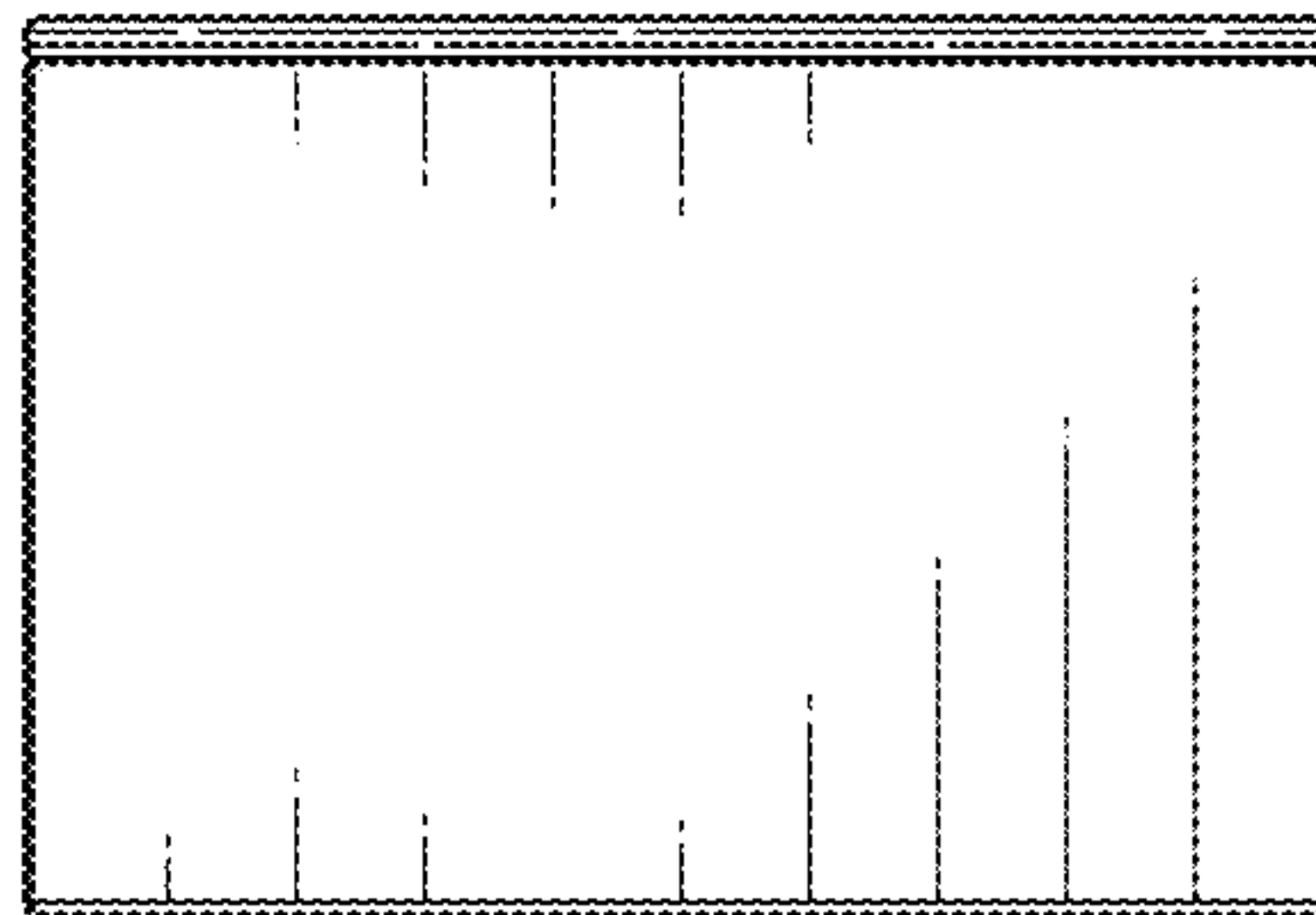


FIG. 14

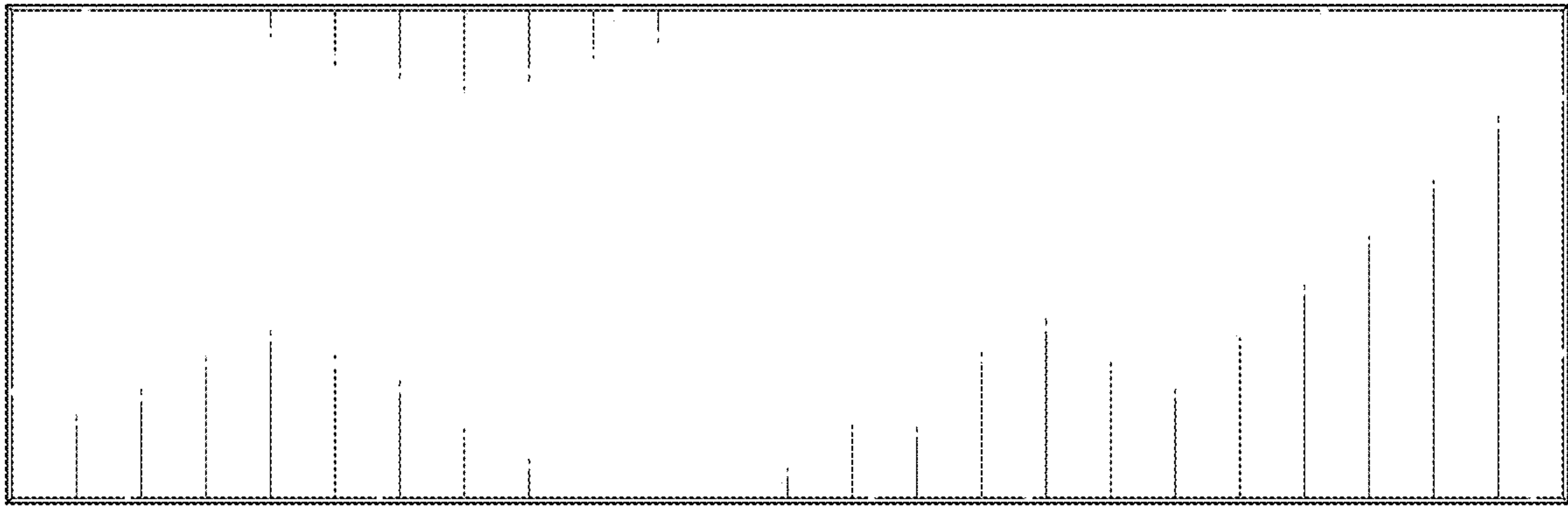


FIG. 15

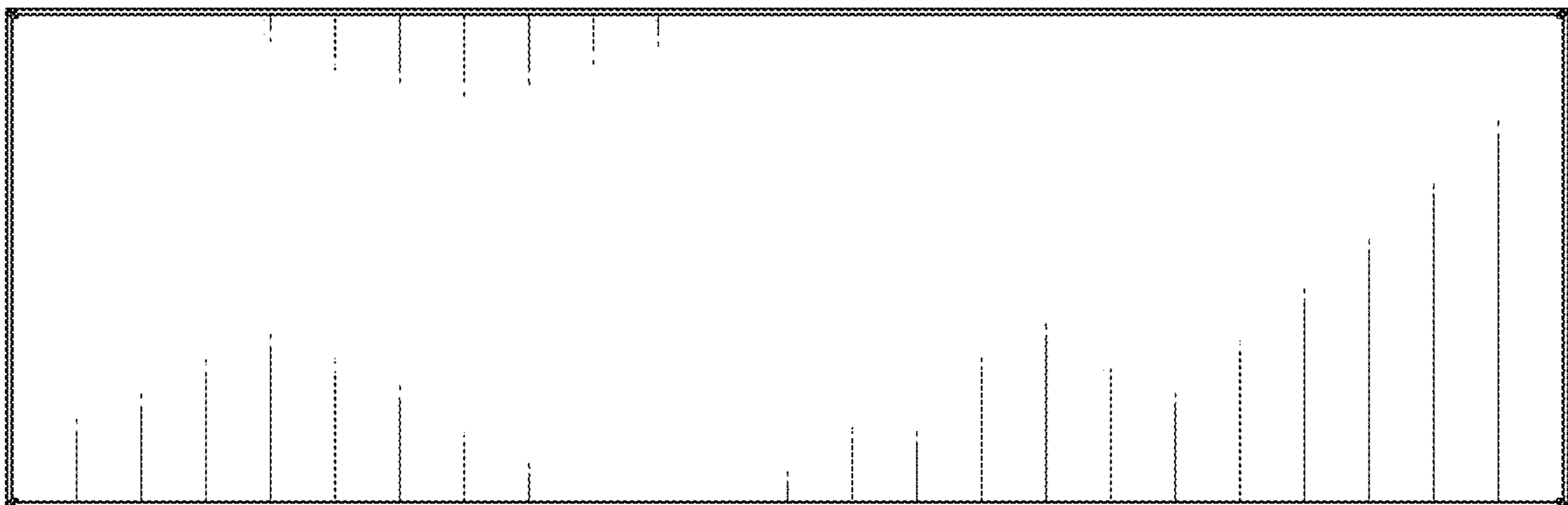


FIG. 16