



US00D941139S

(12) **United States Design Patent**  
**Yoon**

(10) **Patent No.:** **US D941,139 S**  
(45) **Date of Patent:** **\*\* Jan. 18, 2022**

(54) **BOX FOR ORAL CARE PRODUCTS**

(71) Applicant: **The Procter & Gamble Company,**  
Cincinnati, OH (US)

(72) Inventor: **Ki Hyun Yoon,** Beijing (CN)

(73) Assignee: **The Procter & Gamble Company,**  
Cincinnati, OH (US)

(\*\*) Term: **15 Years**

(21) Appl. No.: **29/716,685**

(22) Filed: **Dec. 11, 2019**

(30) **Foreign Application Priority Data**

Jun. 11, 2019 (CN) ..... 201930298349.1  
Jun. 11, 2019 (WO) ..... 84418

(51) **LOC (13) Cl.** ..... **09-03**

(52) **U.S. Cl.**  
USPC ..... **D9/418**

(58) **Field of Classification Search**  
USPC ..... D9/414-418, 430-432, 733; D23/370;  
D13/152  
CPC ..... B65D 77/003; B65D 85/10  
See application file for complete search history.

(56) **References Cited**

**U.S. PATENT DOCUMENTS**

D306,402 S \* 3/1990 Colla ..... D9/414  
5,487,468 A \* 1/1996 Sheahan ..... B65D 85/10  
206/242

D394,386 S \* 5/1998 Fischer ..... D9/431  
6,918,532 B2 \* 7/2005 Sierra-Gomez ..... B65D 77/003  
229/87.08  
D510,874 S \* 10/2005 Shurman ..... D9/733  
D538,643 S \* 3/2007 Babbino ..... D9/430  
D637,162 S \* 5/2011 Bridgman ..... D13/152  
D836,765 S \* 12/2018 Puffer ..... D23/370  
D909,199 S \* 2/2021 Baker ..... D9/430

\* cited by examiner

*Primary Examiner* — Rhea Shields

(74) *Attorney, Agent, or Firm* — Parker D. McCrary;  
Jason Jeffrey Camp

(57) **CLAIM**

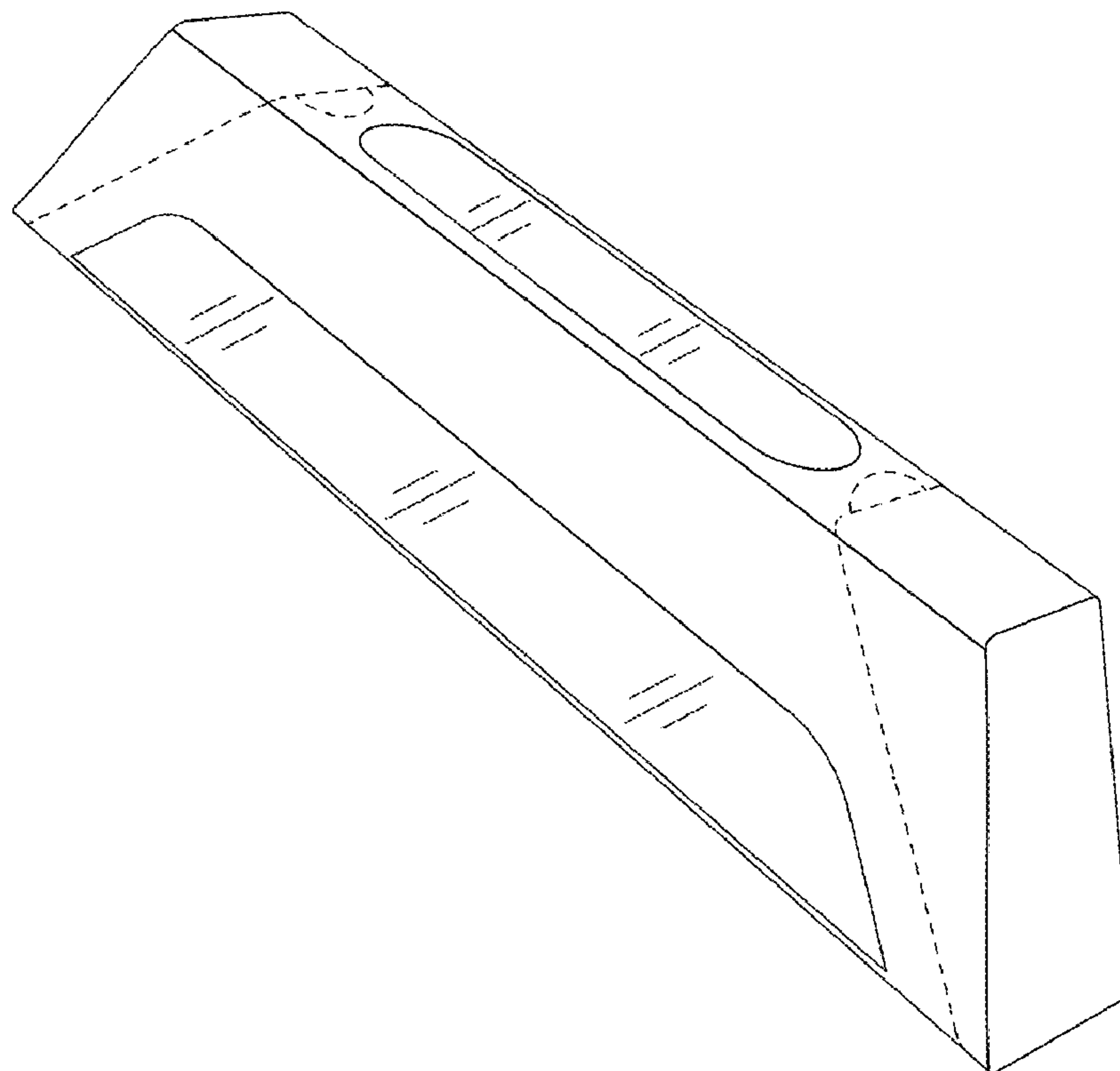
The ornamental design for a box for oral care products, as shown and described.

**DESCRIPTION**

FIG. 1 is a perspective view of a box for oral care products, embodying the new design; FIG. 2 is a front view thereof; FIG. 3 is a back view thereof; FIG. 4 is a left view thereof; FIG. 5 is a right view thereof; FIG. 6 is a top view thereof; and, FIG. 7 is a bottom view thereof.

In the drawings, the broken lines are for the purpose of illustrating portions of the box for oral care products and form no part of the claimed design.

**1 Claim, 7 Drawing Sheets**



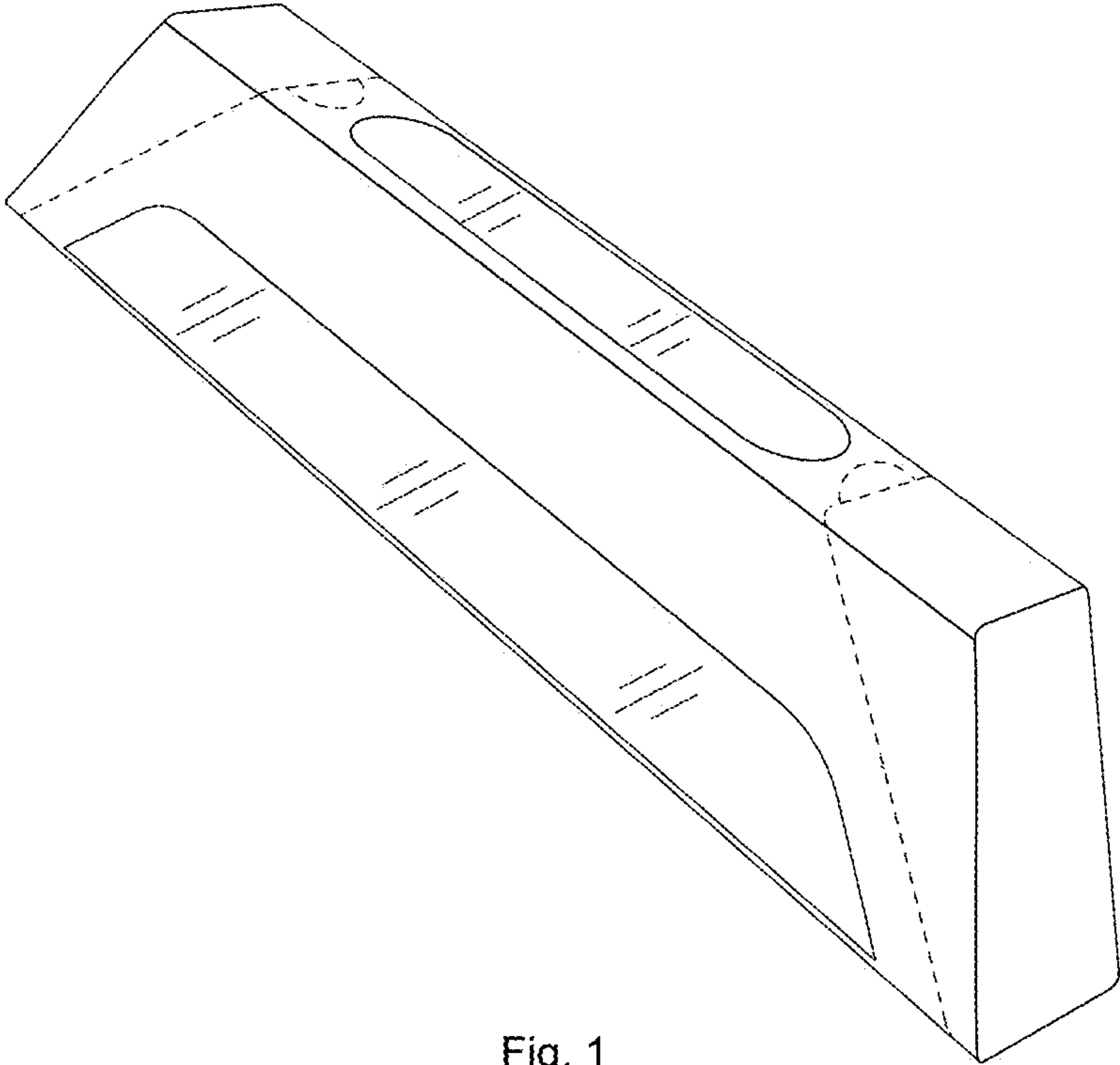


Fig. 1

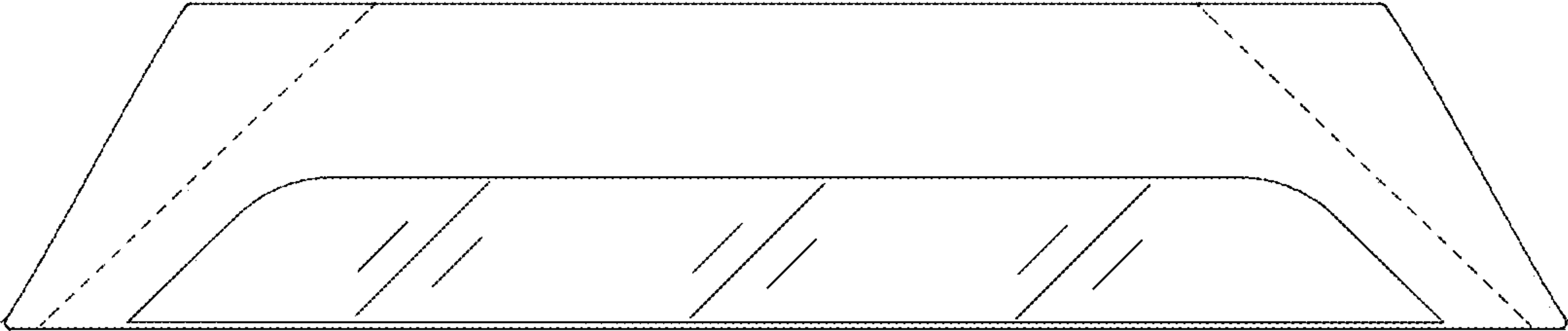


Fig. 2

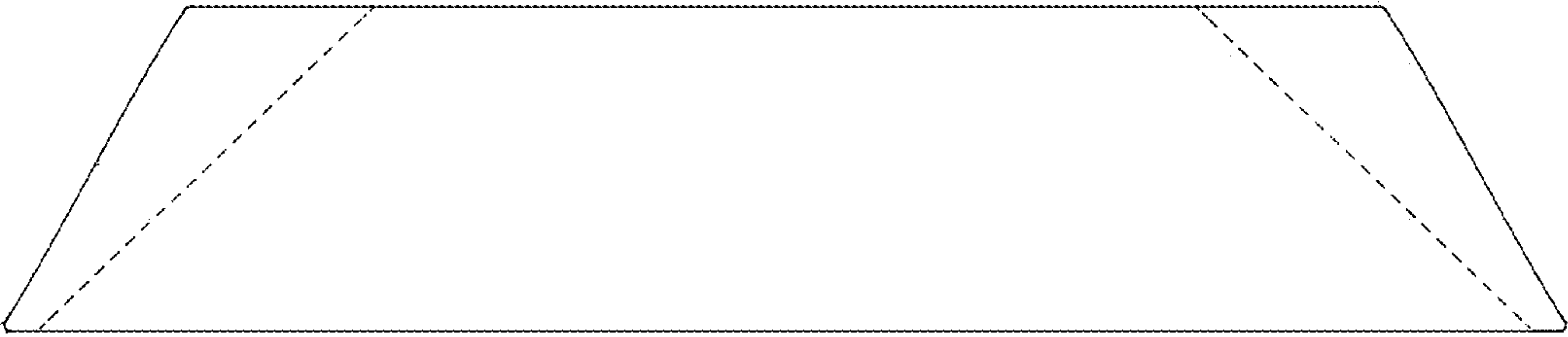


Fig. 3

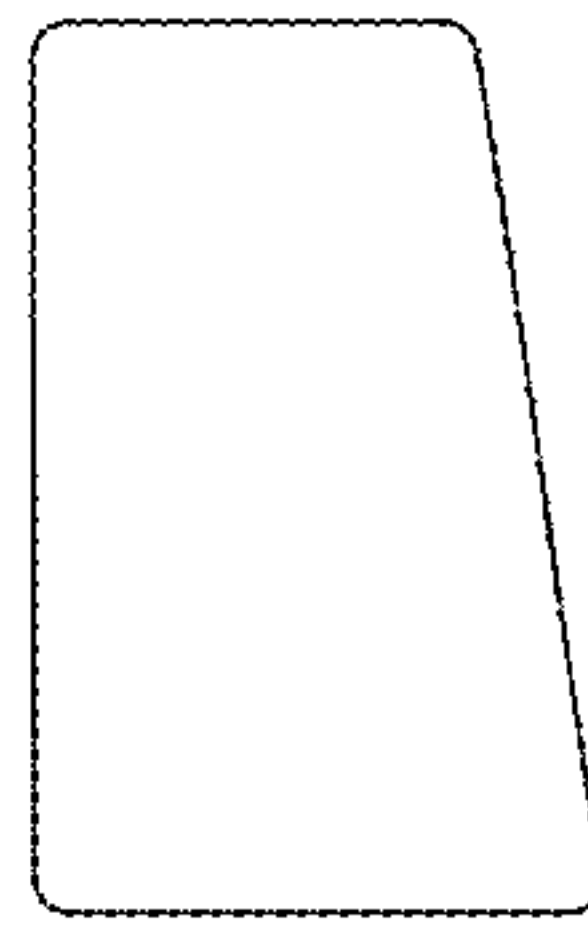


Fig. 4

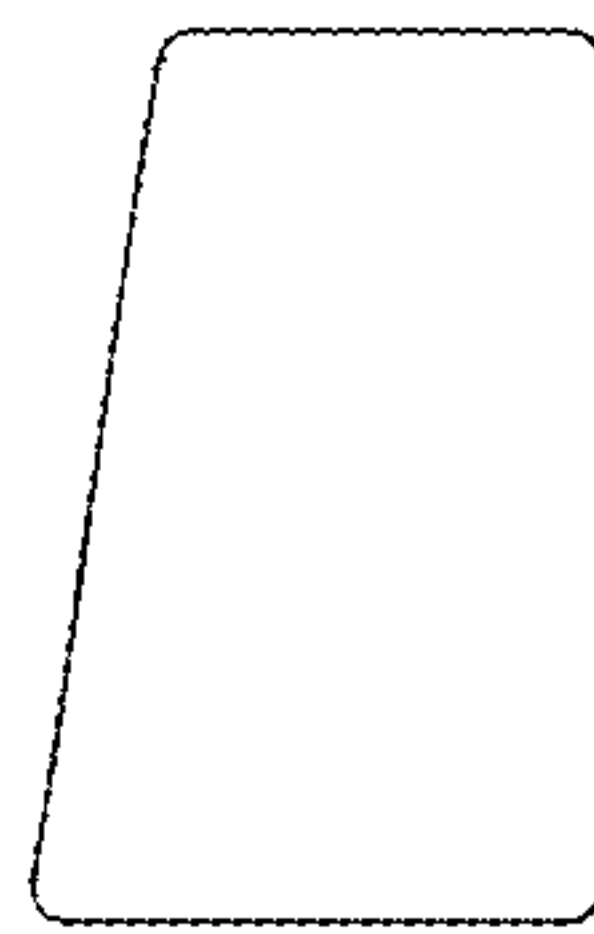


Fig. 5

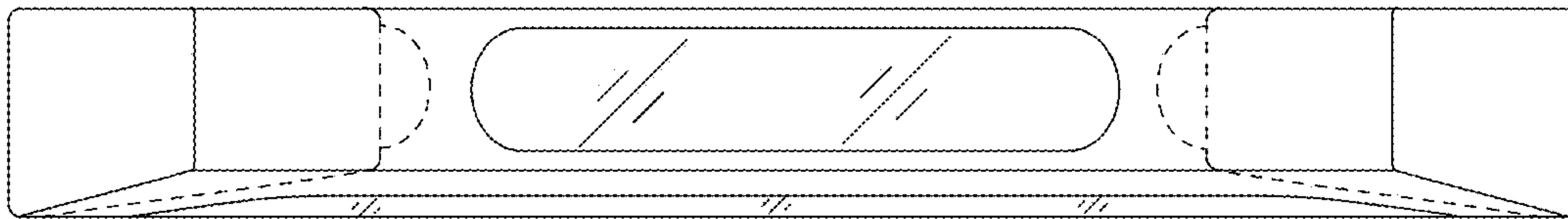


Fig. 6



Fig. 7