



US00D941138S

(12) **United States Design Patent** (10) **Patent No.:** **US D941,138 S**
Safdie et al. (45) **Date of Patent:** **** Jan. 18, 2022**

(54) **PACKAGE FOR GROOMING ACCESSORIES**

(71) Applicant: **Best Accessory Group LLC**, New York, NY (US)

(72) Inventors: **Abraham Safdie**, Brooklyn, NY (US); **Jack Saban**, Brooklyn, NY (US)

(73) Assignee: **Best Accessory Group LLC**, New York, NY (US)

(**) Term: **15 Years**

(21) Appl. No.: **29/692,045**

(22) Filed: **May 22, 2019**

(51) **LOC (13) Cl.** **09-03**

(52) **U.S. Cl.**
USPC **D9/418**

(58) **Field of Classification Search**
USPC D9/418, 420, 737, 715, 415, 711;
D24/227; D3/318, 315, 203.1; D28/61
CPC B65B 7/28; B65D 25/102; B65D 1/022;
B25H 3/06; B25H 3/003; A61B 50/20;
A61B 50/33
See application file for complete search history.

(56) **References Cited**

U.S. PATENT DOCUMENTS

4,153,160	A *	5/1979	Leigh	A61B 50/33	206/370
D258,391	S *	2/1981	Bohn	D28/61	
D275,453	S *	9/1984	Bankier	D9/415	
4,595,102	A *	6/1986	Cianci	A61B 50/33	206/370
D289,856	S *	5/1987	Easterling	D9/737	
5,320,223	A *	6/1994	Allen	B25H 3/06	206/372
D369,678	S *	5/1996	Hammer	D3/318	
D621,282	S *	8/2010	Yagi	D9/711	
D723,387	S *	3/2015	Fath	D9/711	
D785,943	S *	5/2017	Dutil	D3/315	
D800,337	S *	10/2017	Daines	D24/227	

D806,565	S *	1/2018	Fath	D9/715
D829,565	S *	10/2018	Safdie	D9/737
D849,393	S *	5/2019	Denton	D3/203.1
D928,630	S *	8/2021	Liu	D9/737
2003/0226781	A1 *	12/2003	Liao	B65D 21/022
				206/525
2006/0091031	A1 *	5/2006	Bowen	B25H 3/06
				206/372

(Continued)

OTHER PUBLICATIONS

“Nail . . .” reference dated Aug. 26, 2021 found on the internet at: https://www.amazon.com/Clippers-HOCOSY-Manicure-Stainless-Professional/dp/B08C4ZBKBP/ref=asc_df_B08C4ZBKBP/?tag=hyprod-20&linkCode=df0&hvadid=475772187790&hvpos=&hvnetw=g&hvrand=507180623429087147&hvpone=&hvptwo=&hvqmt=&hvdev=c&hvdvcmld=&hvlocint.*

(Continued)

Primary Examiner — Rhea Shields
(74) *Attorney, Agent, or Firm* — Dorton & Willis, LLP

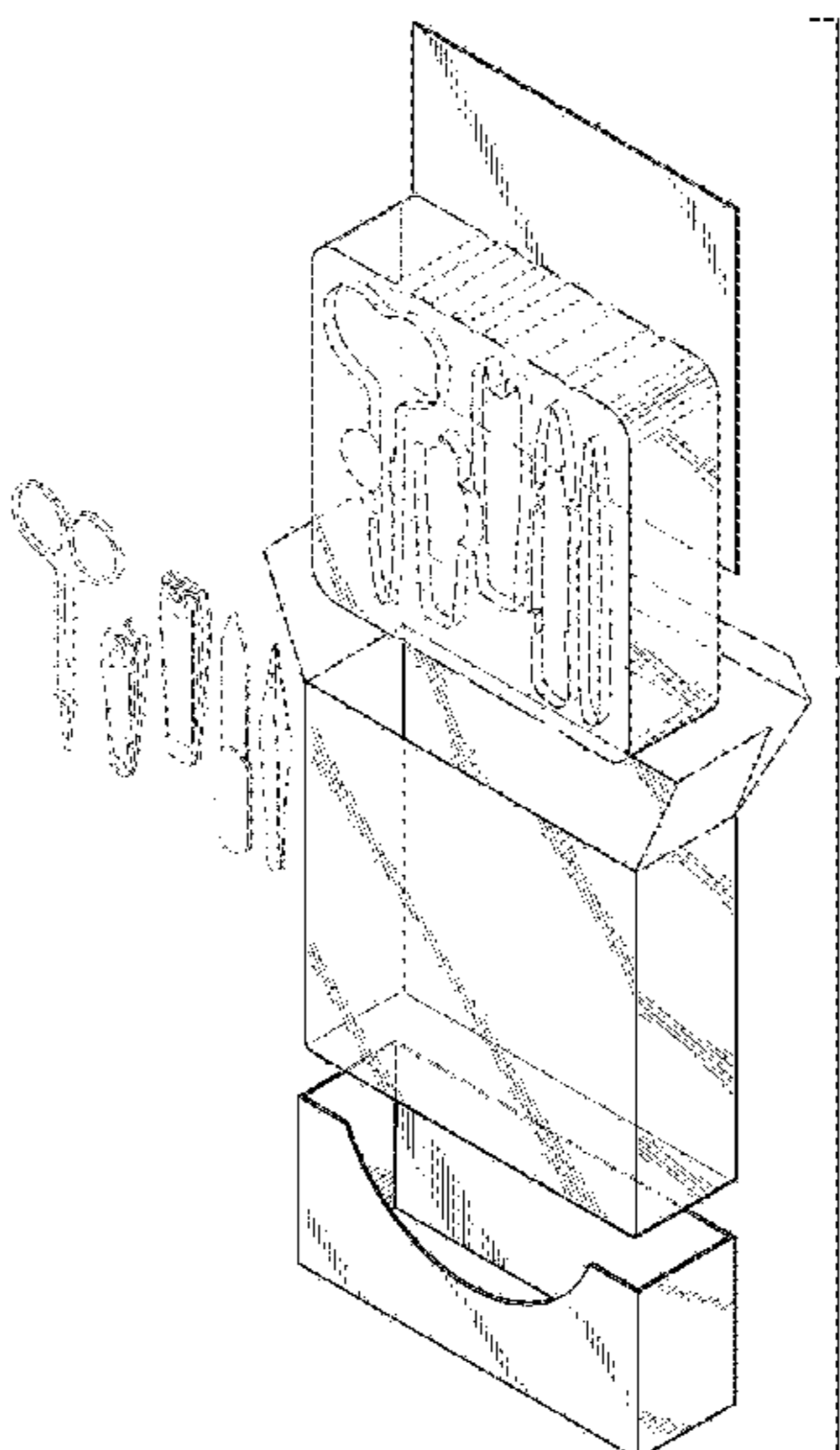
(57) **CLAIM**

The ornamental design for a package for grooming accessories, as shown and described.

DESCRIPTION

FIG. 1 is a top perspective view of our new package for grooming accessories design;
FIG. 2 is a front elevation view thereof;
FIG. 3 is a rear elevation view thereof;
FIG. 4 is a right-side elevation view thereof;
FIG. 5 is a left-side elevation view thereof;
FIG. 6 is a bottom plan view thereof;
FIG. 7 is a top plan view thereof; and,
FIG. 8 is an exploded perspective view thereof.
In the drawings, the broken lines are for the purpose of illustrating portions of the package for grooming accessories that form no part of the claimed design.

1 Claim, 4 Drawing Sheets



(56)

References Cited

U.S. PATENT DOCUMENTS

2010/0276436 A1* 11/2010 Liu B25H 3/003
220/735
2013/0277262 A1* 10/2013 Nemard B65D 25/102
206/438
2016/0100891 A1* 4/2016 Richman A61B 50/20
206/370
2017/0354474 A1* 12/2017 Dobbyn B65B 7/28

OTHER PUBLICATIONS

“Mani and Pedi . . . ” reference dated Aug. 26, 2021 found on the internet at: <https://www.amazon.com/Daisy-Fuentes-MANI-TOOLS-NAIL-CARE/dp/B07DQJ3HTG>.*

“Trim . . . ” reference dated Aug. 26, 2021 found on the internet at: https://www.vitabox.com/trim-family-manicure-kit-5-ct/?gclid=EAlalQobChMI2-vP-NjU8gIV6fvICh3ukQ6LEAkYByABEgKz2vD_BwE.*

* cited by examiner

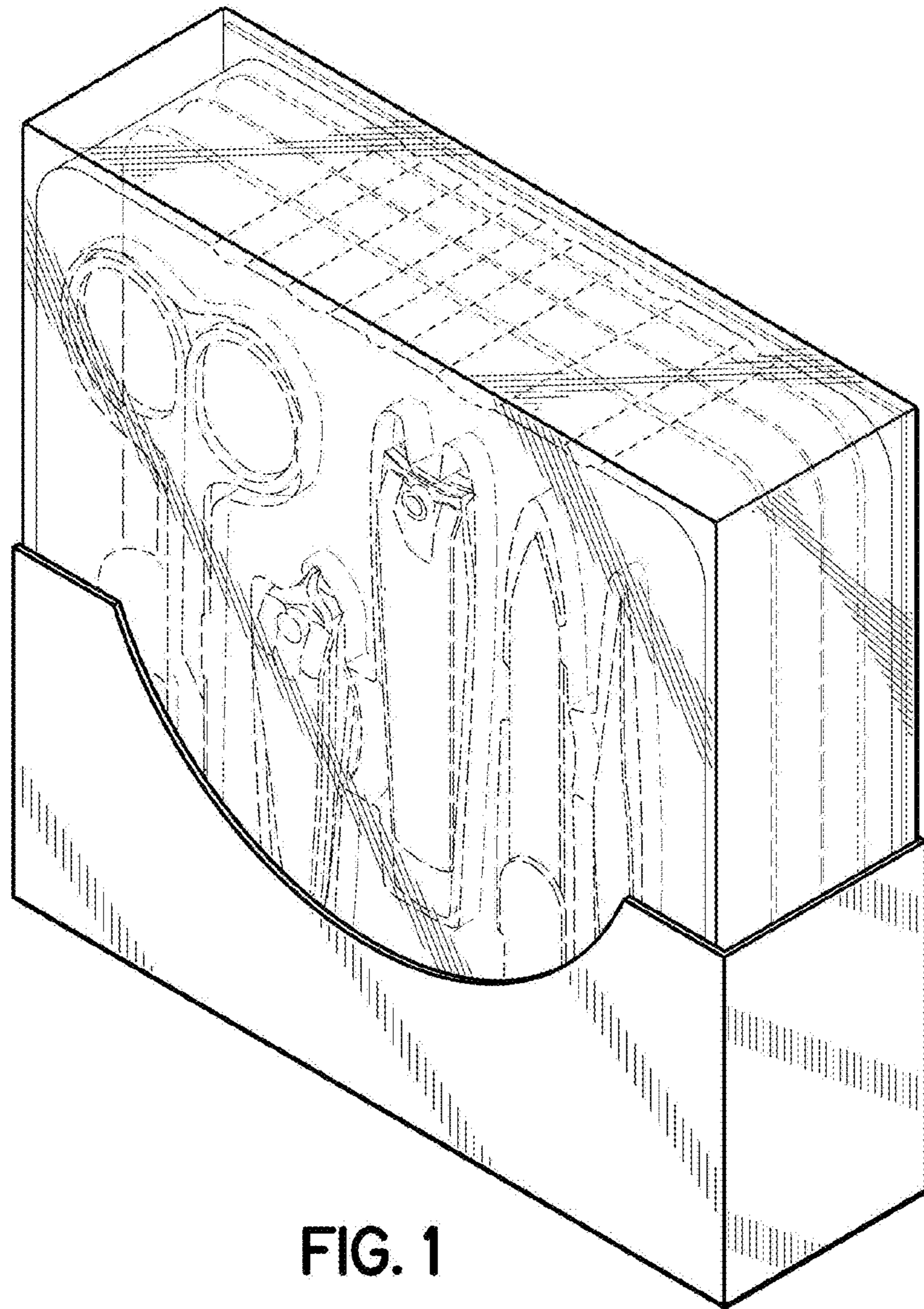


FIG. 1

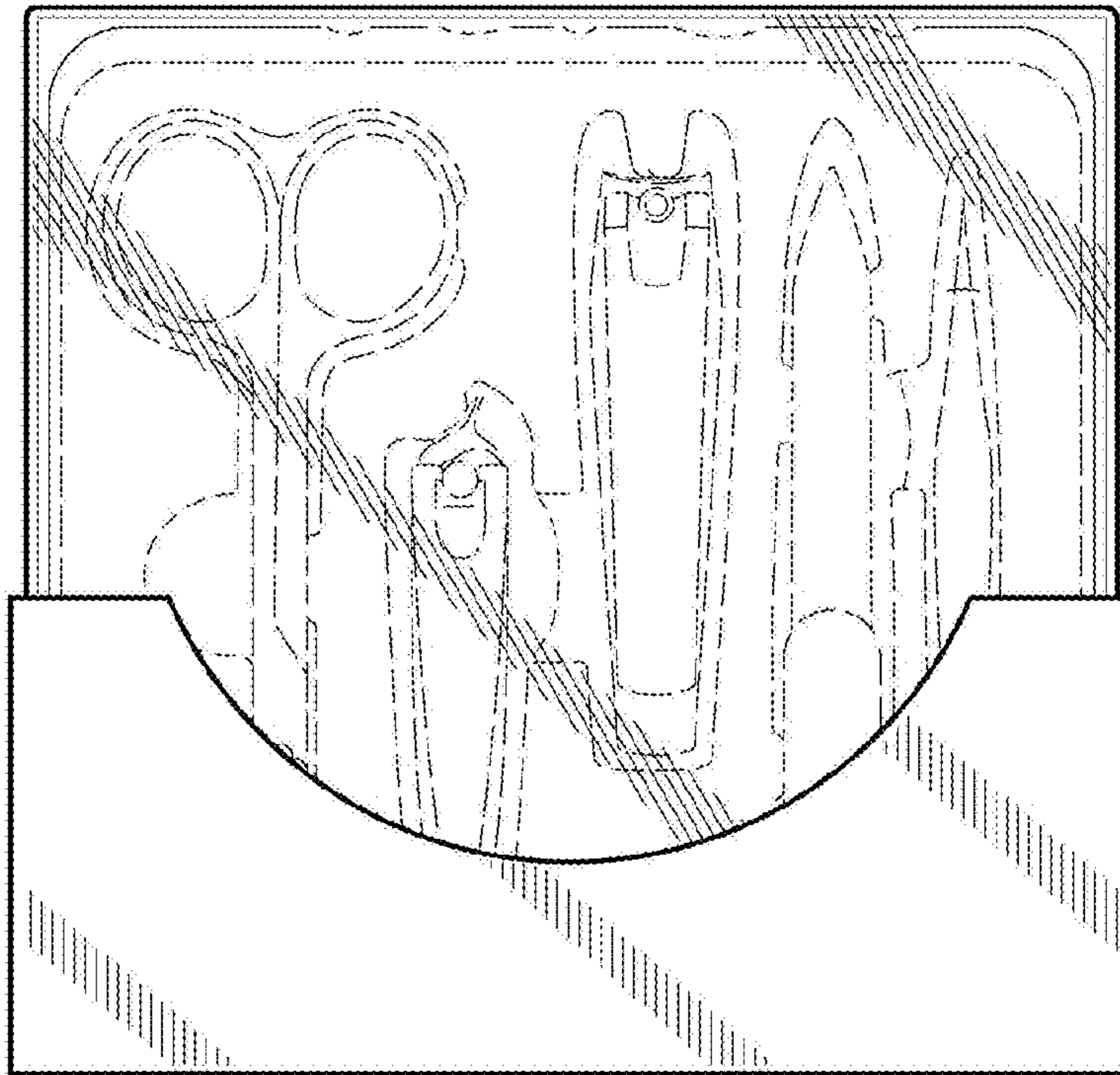


FIG. 2

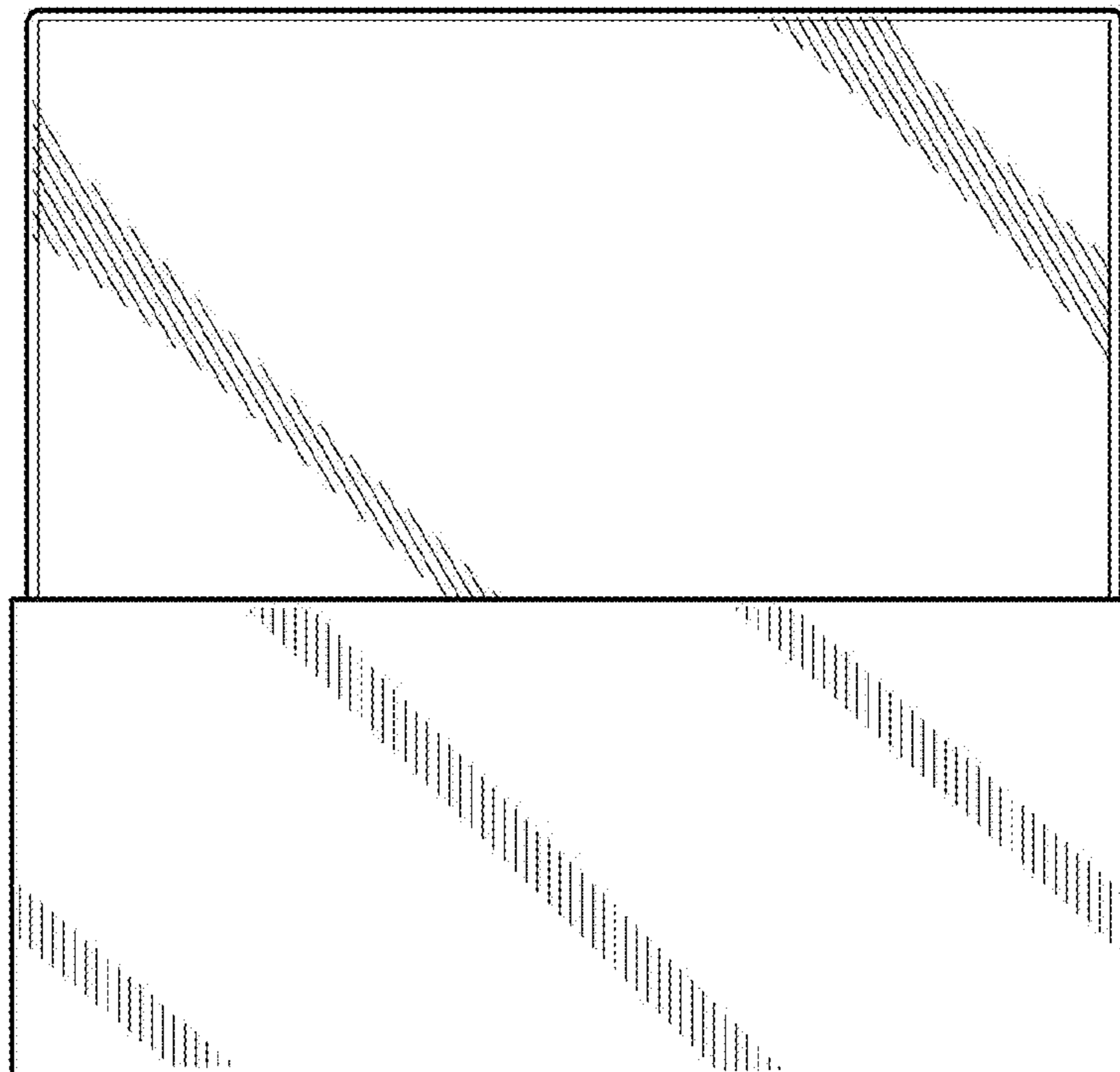


FIG. 3

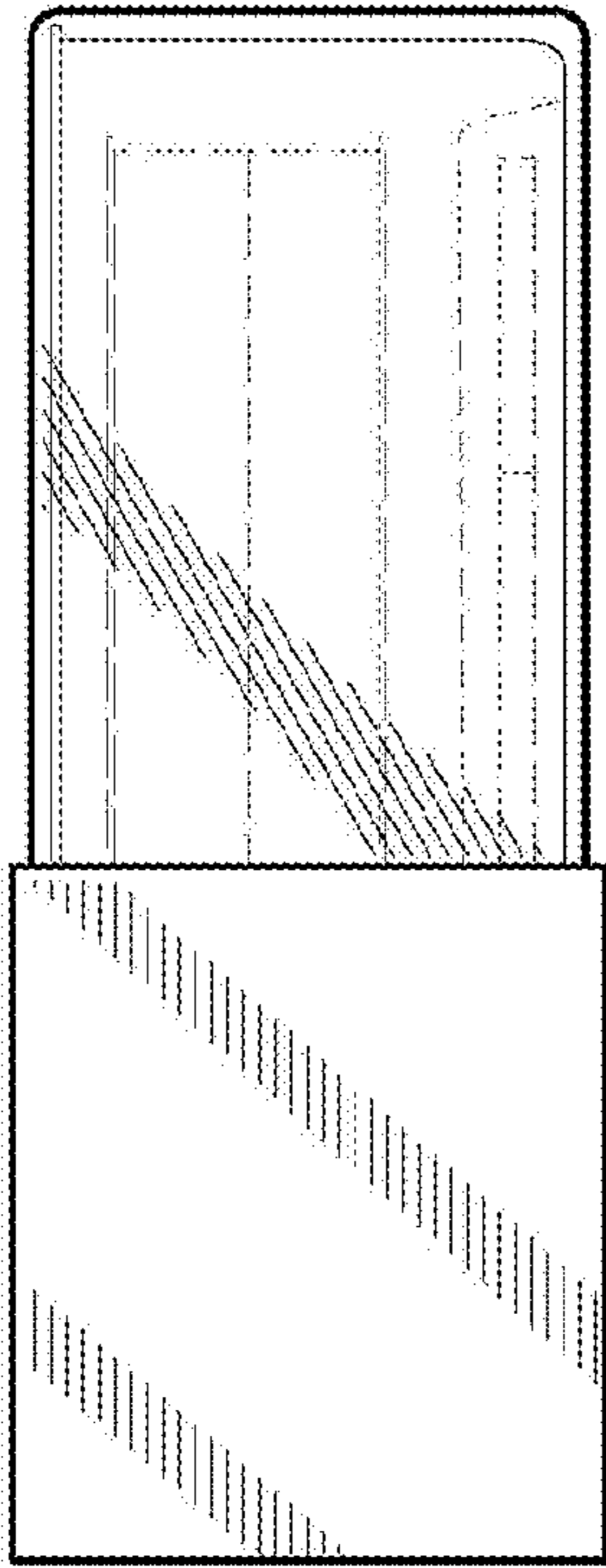


FIG. 4

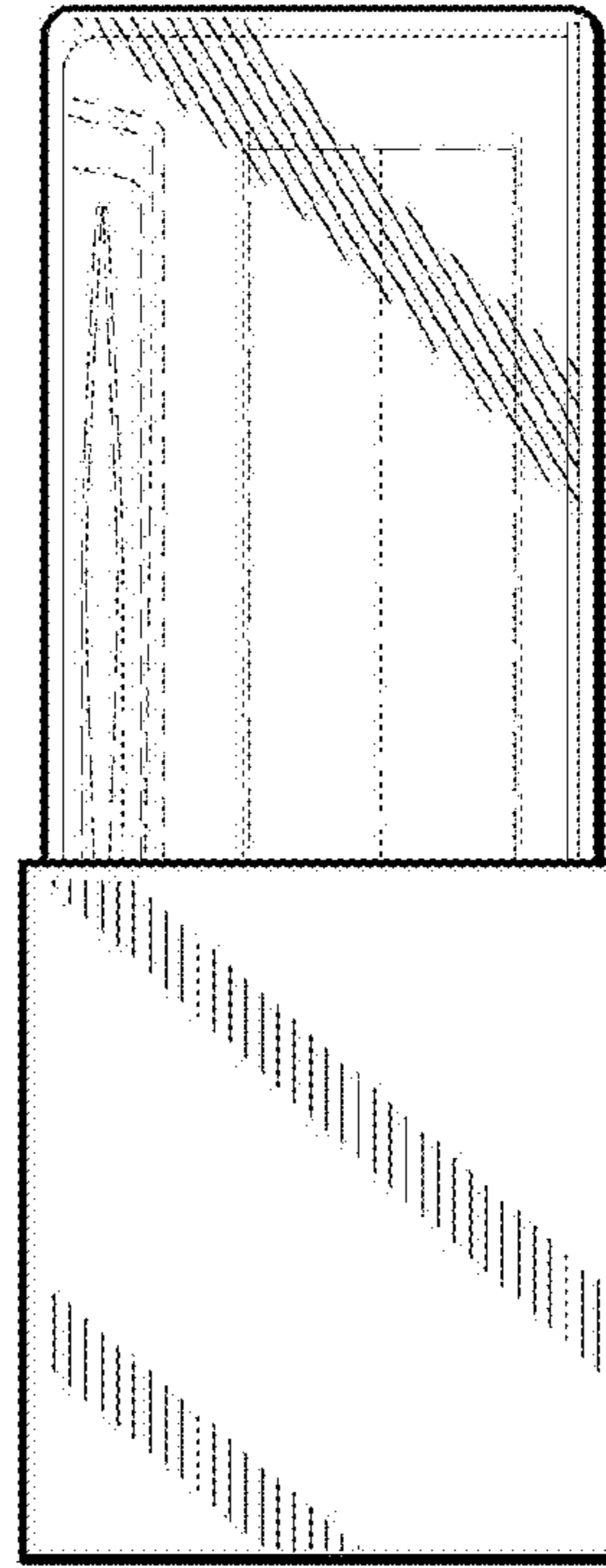


FIG. 5

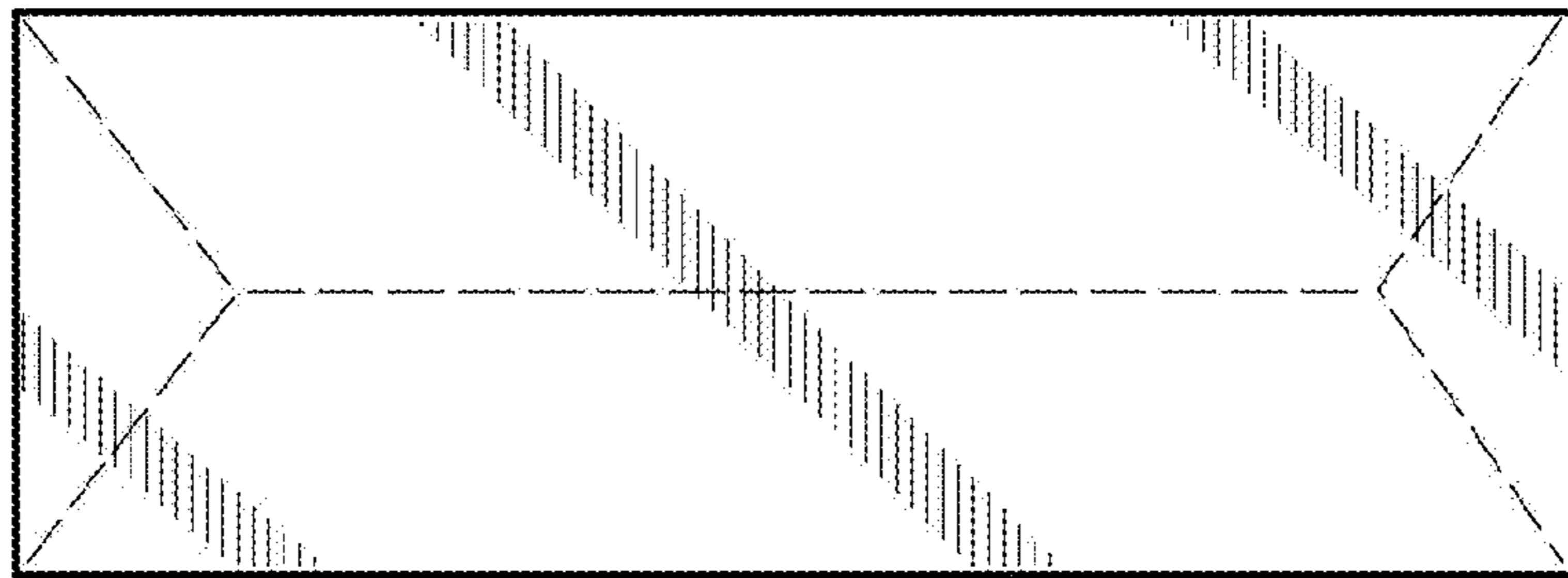


FIG. 6

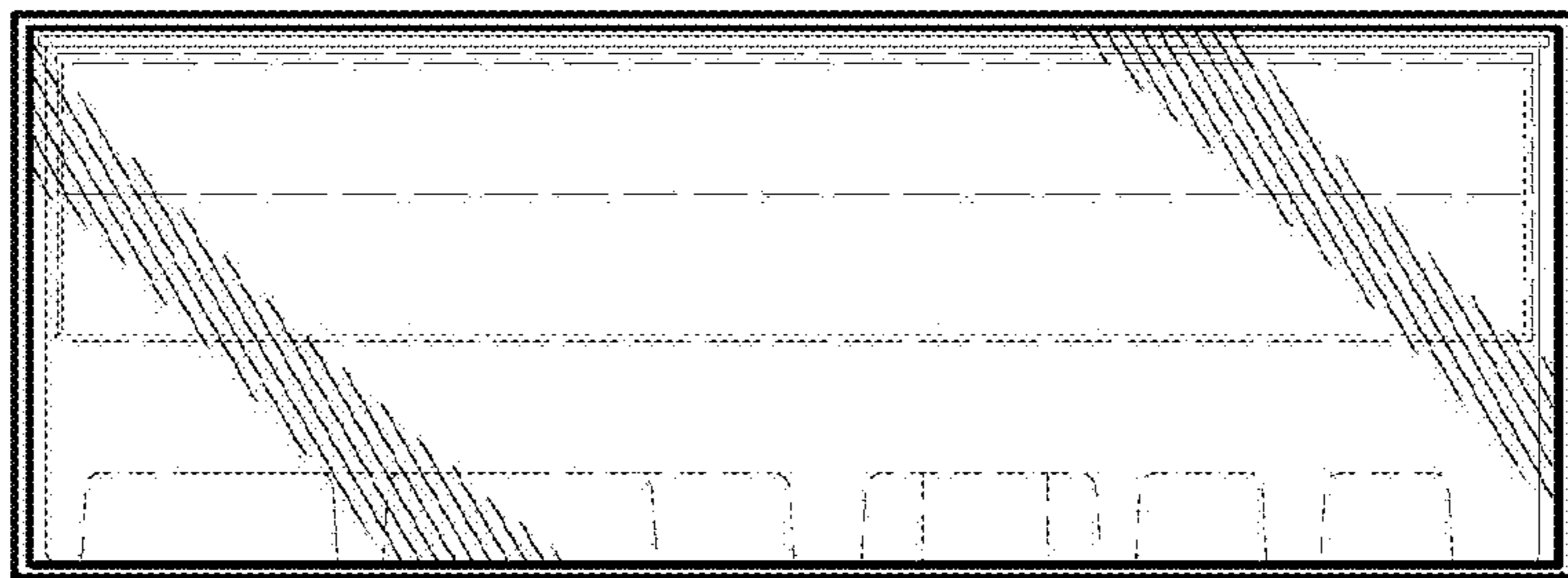


FIG. 7

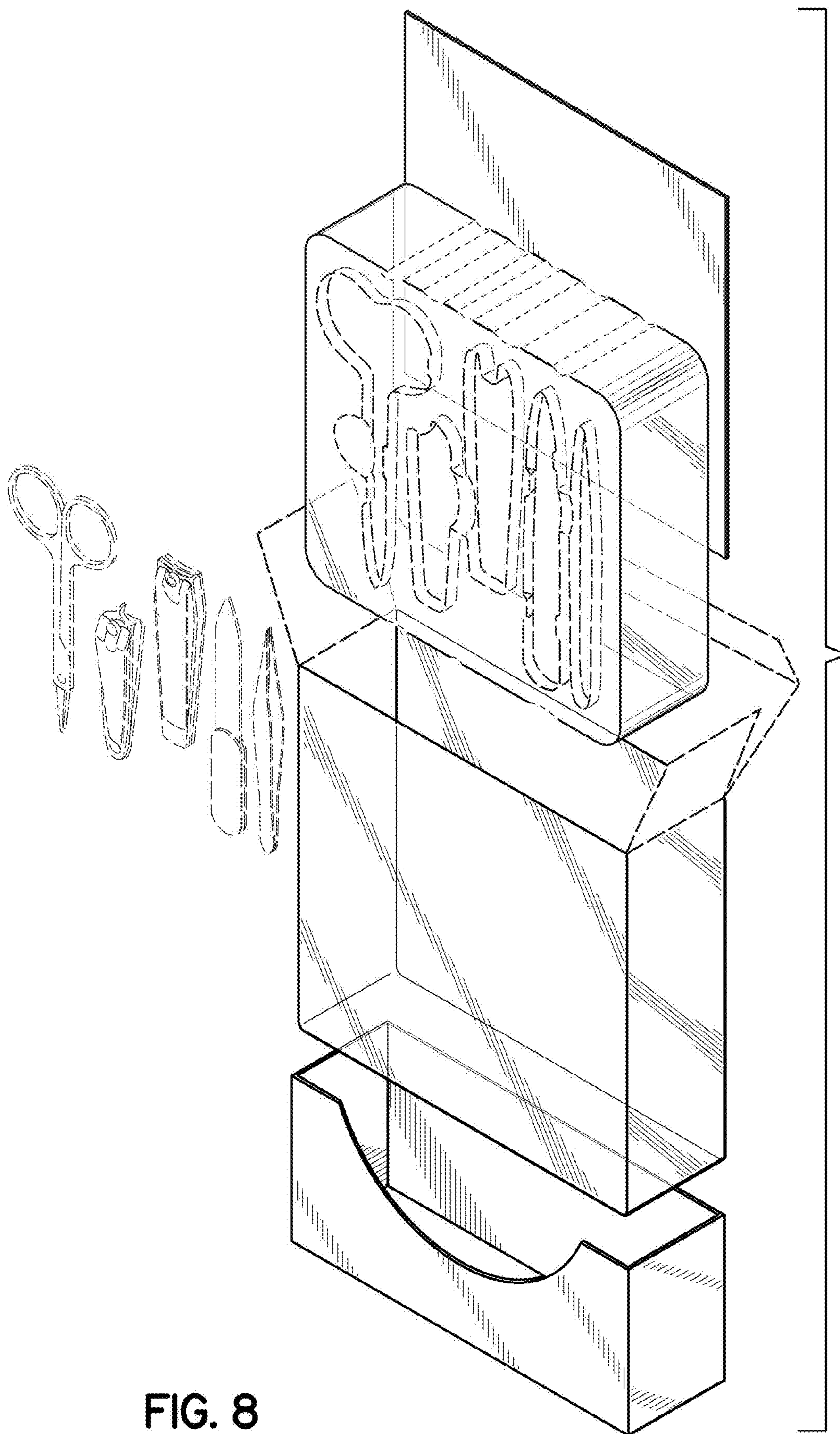


FIG. 8