



US00D941134S

(12) **United States Design Patent**
Schmidt

(10) **Patent No.:** **US D941,134 S**

(45) **Date of Patent:** **** Jan. 18, 2022**

(54) **RIVET NUT**

(71) Applicant: **Heiko Schmidt**, Lappersdorf (DE)

(72) Inventor: **Heiko Schmidt**, Lappersdorf (DE)

(**) Term: **15 Years**

(21) Appl. No.: **29/727,488**

(22) Filed: **Mar. 11, 2020**

(51) **LOC (13) Cl.** **08-08**

(52) **U.S. Cl.**
USPC **D8/386**

(58) **Field of Classification Search**
USPC D8/387, 386, 382
CPC F16B 37/064; F16B 37/062; F16B 37/06;
F16B 37/04; F16B 37/14; F16B 19/04;
F16B 2019/045; F16B 19/08; F16B
19/083; F16B 19/086; F16B 19/10; F16B
19/1027; F16B 19/1036; F16B 5/04;
F16B 37/065

See application file for complete search history.

(56) **References Cited**

U.S. PATENT DOCUMENTS

- 1,883,906 A * 10/1932 Hasselquist B21K 25/00
29/512
- 1,919,552 A * 7/1933 Hasselquist F16B 37/068
29/520
- 2,389,989 A * 11/1945 Luce F16B 37/06
411/303
- 2,415,695 A * 2/1947 Cann F16B 37/065
411/180
- 3,014,609 A * 12/1961 Hobbs F16B 37/065
29/509
- 4,026,341 A * 5/1977 Menke F16B 37/064
411/103
- 4,202,243 A * 5/1980 Leonhardt F16B 5/04
29/524.1
- D270,642 S * 9/1983 Watts D15/126

- 4,911,592 A * 3/1990 Muller B23P 19/062
411/181
- D319,005 S * 8/1991 Sakayori D8/397
- D397,607 S * 9/1998 Lawson D8/397
- D432,088 S * 10/2000 Malak D13/154
- D451,374 S * 12/2001 Shinjo D8/397
- D452,428 S * 12/2001 Shinjo D8/397
- D524,149 S * 7/2006 Kim D8/397
- D614,247 S * 4/2010 Clausen D21/488
- D699,545 S * 2/2014 Ackerman D8/349
- D703,524 S * 4/2014 Sakoda D8/397
- D706,126 S * 6/2014 Orow D8/397
- D789,227 S * 6/2017 Calvani D10/128
- D796,309 S * 9/2017 Cruz D8/397
- D796,947 S * 9/2017 Hsu D8/397
- 2004/0244172 A1* 12/2004 Elliott B62D 27/02
29/407.05
- 2005/0214096 A1* 9/2005 Zaluzec B62D 27/02
411/104
- 2006/0080821 A1* 4/2006 Yamamoto F16B 19/10
29/428

(Continued)

Primary Examiner — Holly E Thurman

Assistant Examiner — Ieisha N Price

(74) *Attorney, Agent, or Firm* — Erickson Kernell IP,
LLC; Kent R. Erickson

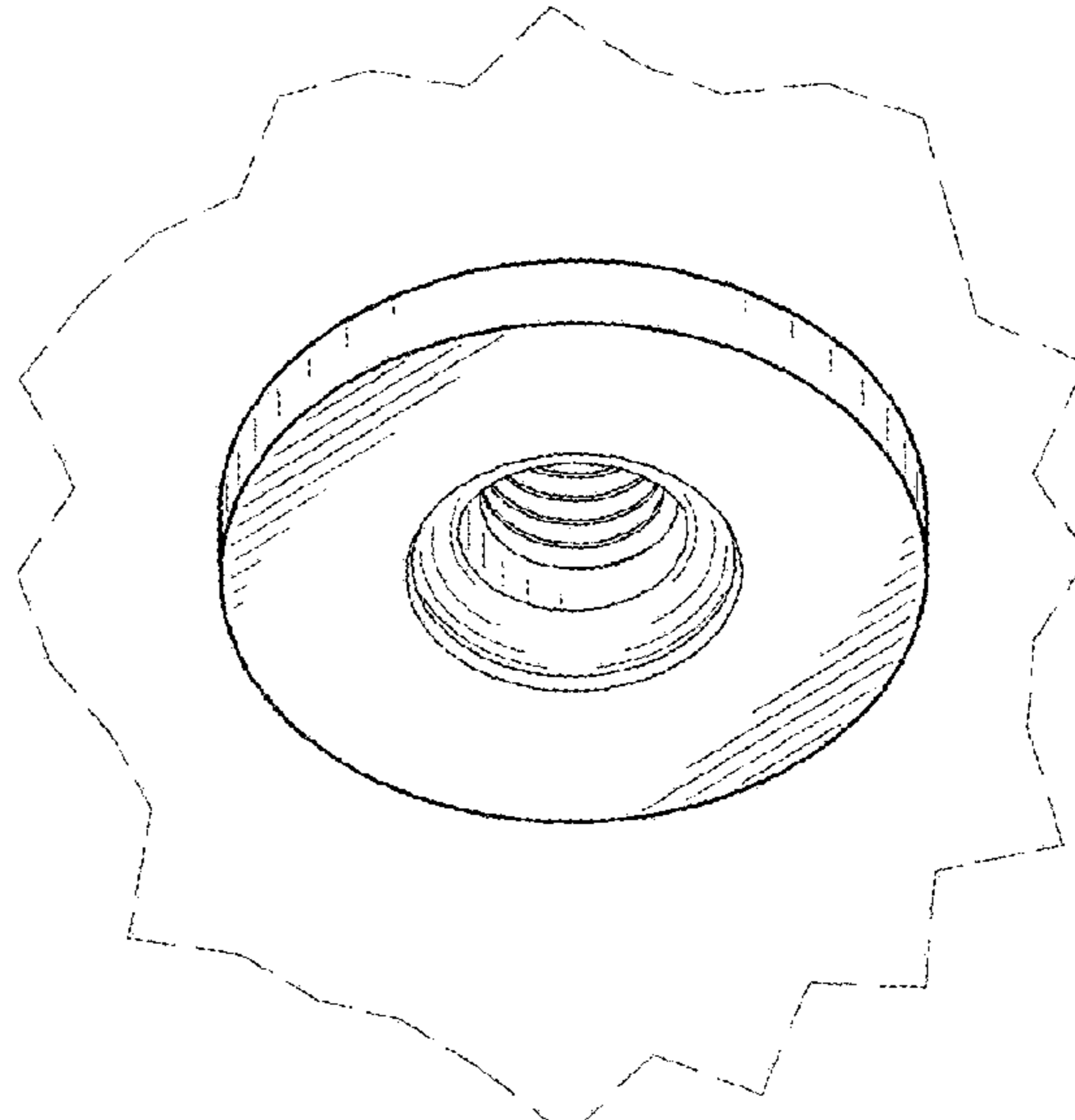
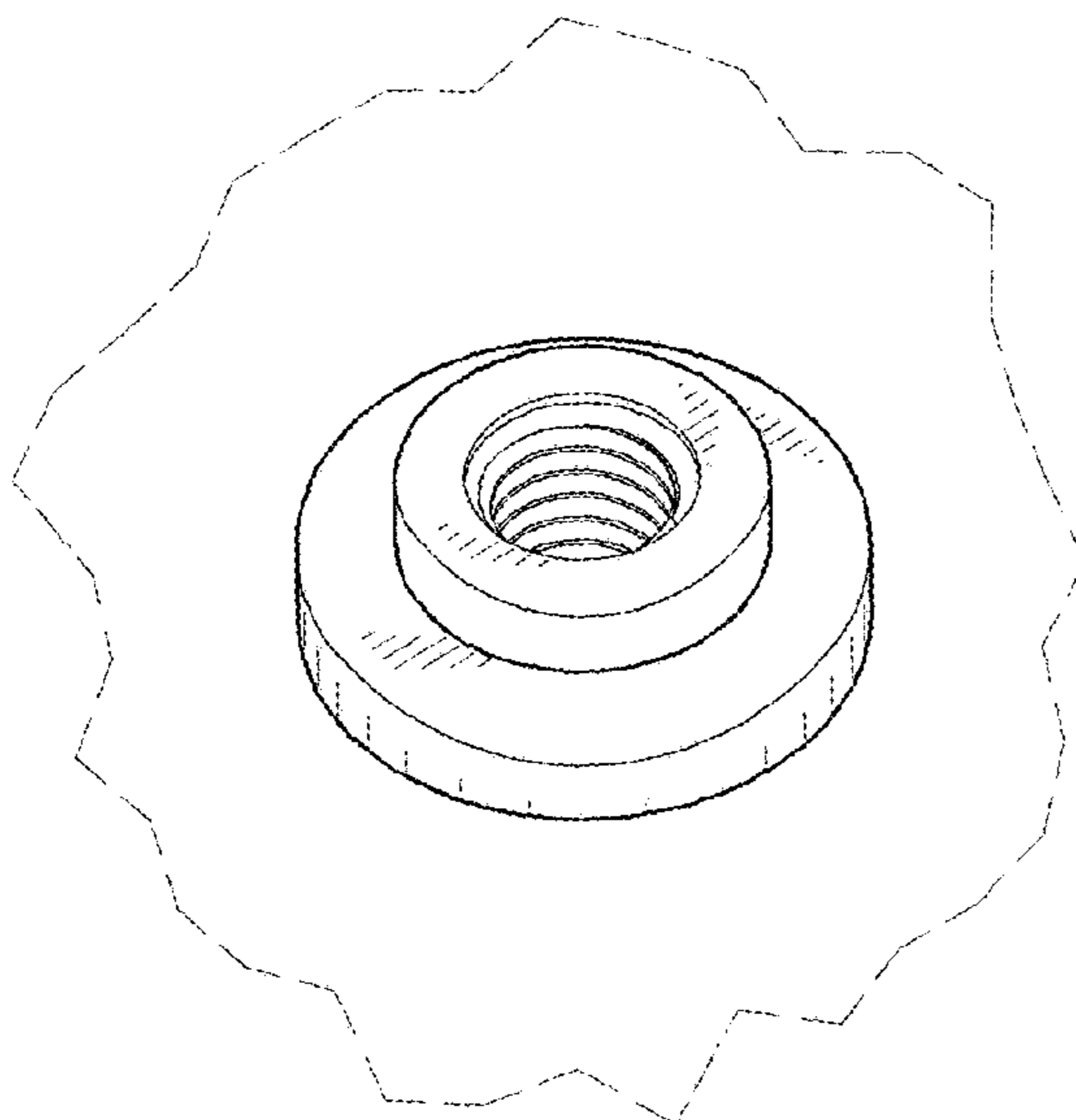
(57) **CLAIM**

The ornamental design for a rivet nut, as shown and described.

DESCRIPTION

FIG. 1 is an environmental, top perspective view of a rivet nut shown secured to sheet material; FIG. 2 is a bottom perspective view thereof; FIG. 3 is a top perspective view thereof; FIG. 4 is a side elevational view thereof; and, FIG. 5 is a bottom plan view thereof. The broken lines in the drawing disclosure, showing the sheet metal, illustrates the environment of the claimed design and forms no part thereof.

1 Claim, 2 Drawing Sheets



(56)

References Cited

U.S. PATENT DOCUMENTS

2006/0099050 A1* 5/2006 Maloney F16B 5/04
411/500
2006/0177285 A1* 8/2006 Maloney F16B 17/008
411/501
2008/0120825 A1* 5/2008 Stuart B23P 19/062
29/509
2008/0148544 A1* 6/2008 Stuart F16B 37/068
29/509
2009/0196678 A1* 8/2009 Babej F16B 37/062
403/19
2009/0297291 A1* 12/2009 Schmidt B23P 19/062
411/180
2010/0290865 A1* 11/2010 Schraer F16B 37/12
411/395
2015/0043995 A1* 2/2015 Lee F16B 37/067
411/511
2015/0322992 A1* 11/2015 Hwang F16B 37/062
411/511
2016/0258470 A1* 9/2016 Sakoda F16B 37/065
2018/0100529 A1* 4/2018 Humpert F16B 19/10
2019/0010973 A1* 1/2019 Hirschmann F16B 37/068
2019/0353195 A1* 11/2019 Schmidt F16B 39/12
2019/0368528 A1* 12/2019 Wu F16B 19/10
2020/0103014 A1* 4/2020 Mangapora F16B 37/045
2020/0149575 A1* 5/2020 Maloney F16B 19/05
2020/0208674 A1* 7/2020 Wang F16B 39/28
2020/0290111 A1* 9/2020 Donhauser F16B 37/065
2021/0102566 A1* 4/2021 Wu F16B 19/10
2021/0140455 A1* 5/2021 Zaczpal F16B 5/0275
2021/0146856 A1* 5/2021 Larsson F16B 37/062

* cited by examiner

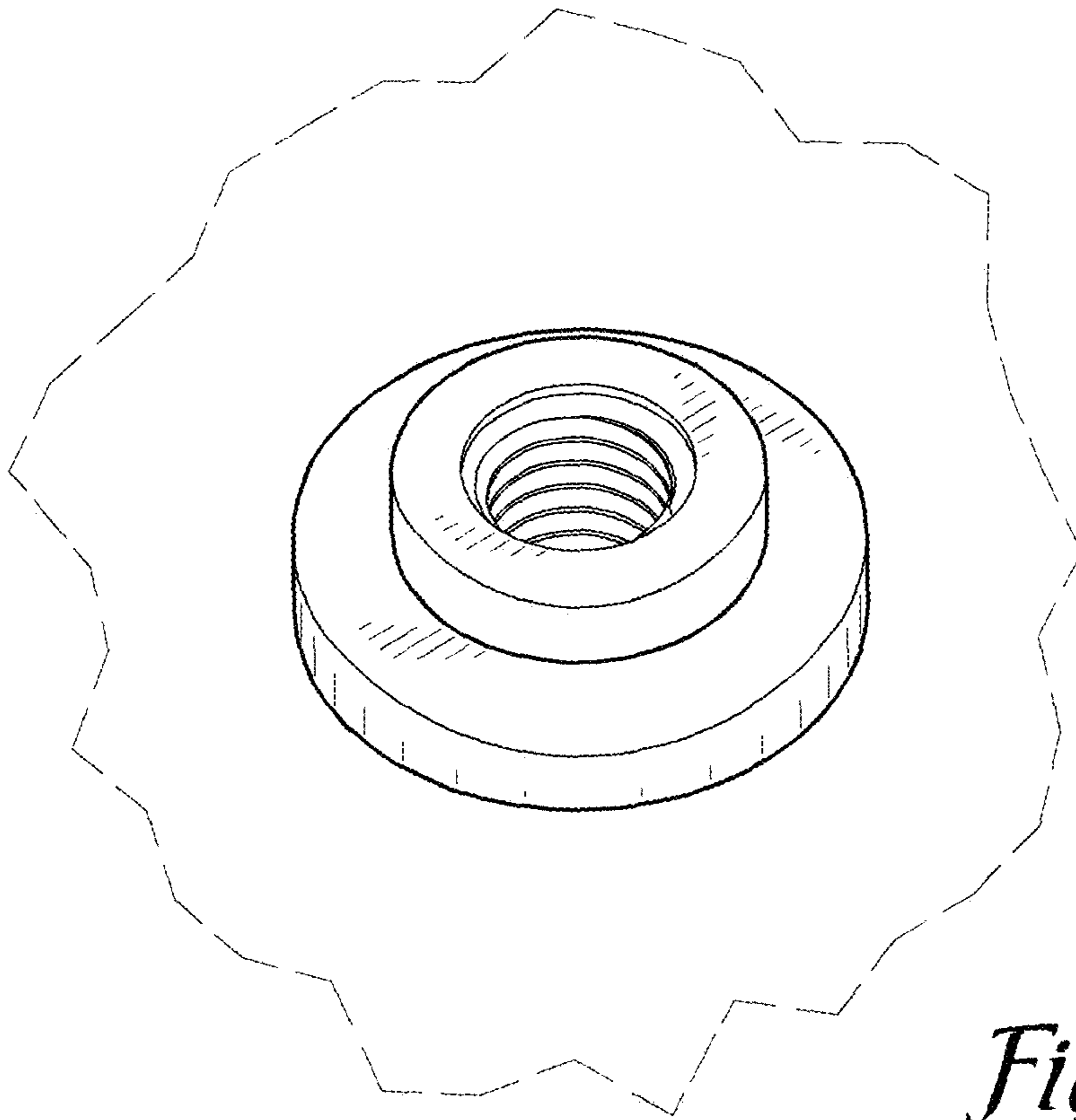


Fig. 1

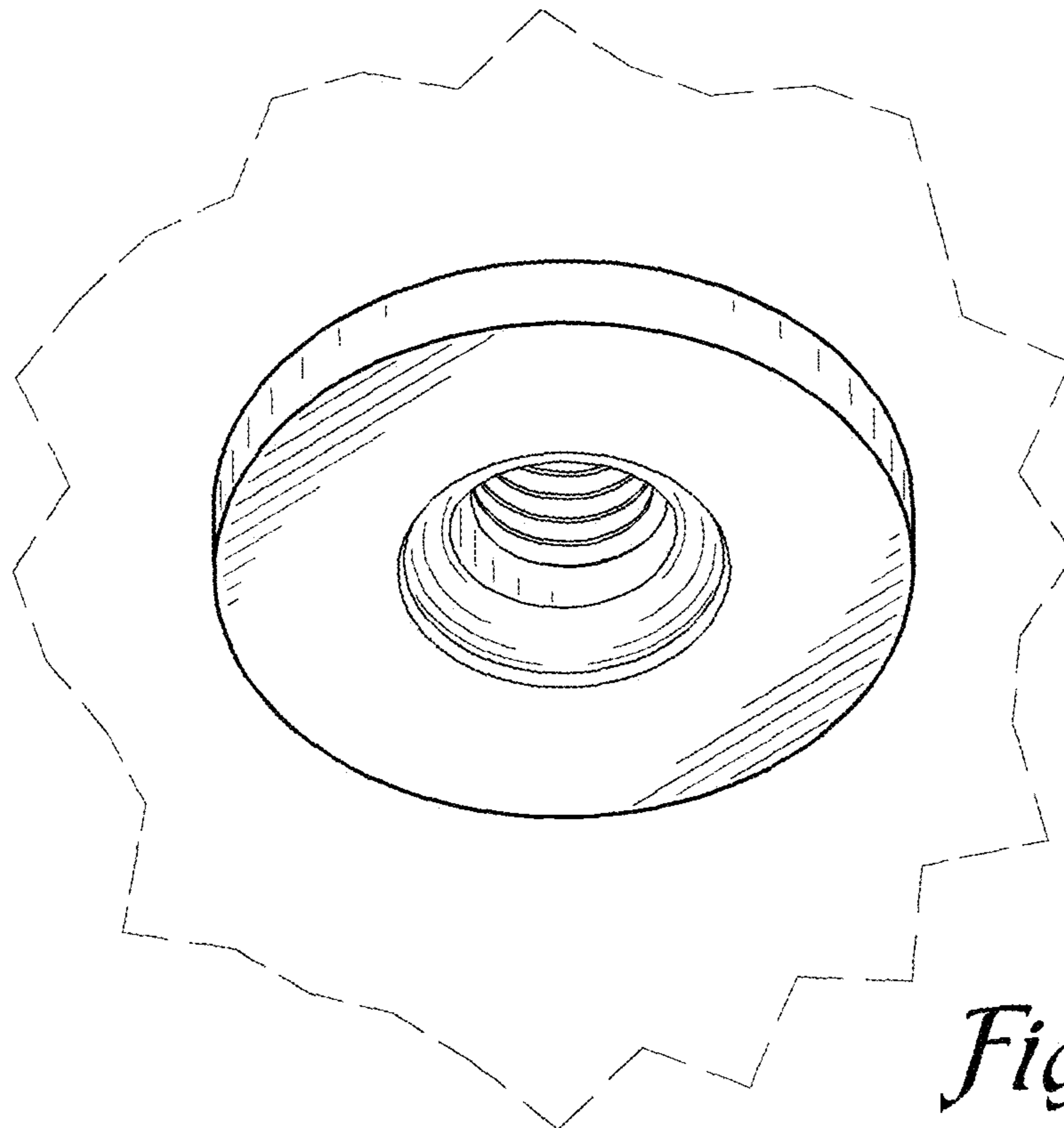


Fig. 2

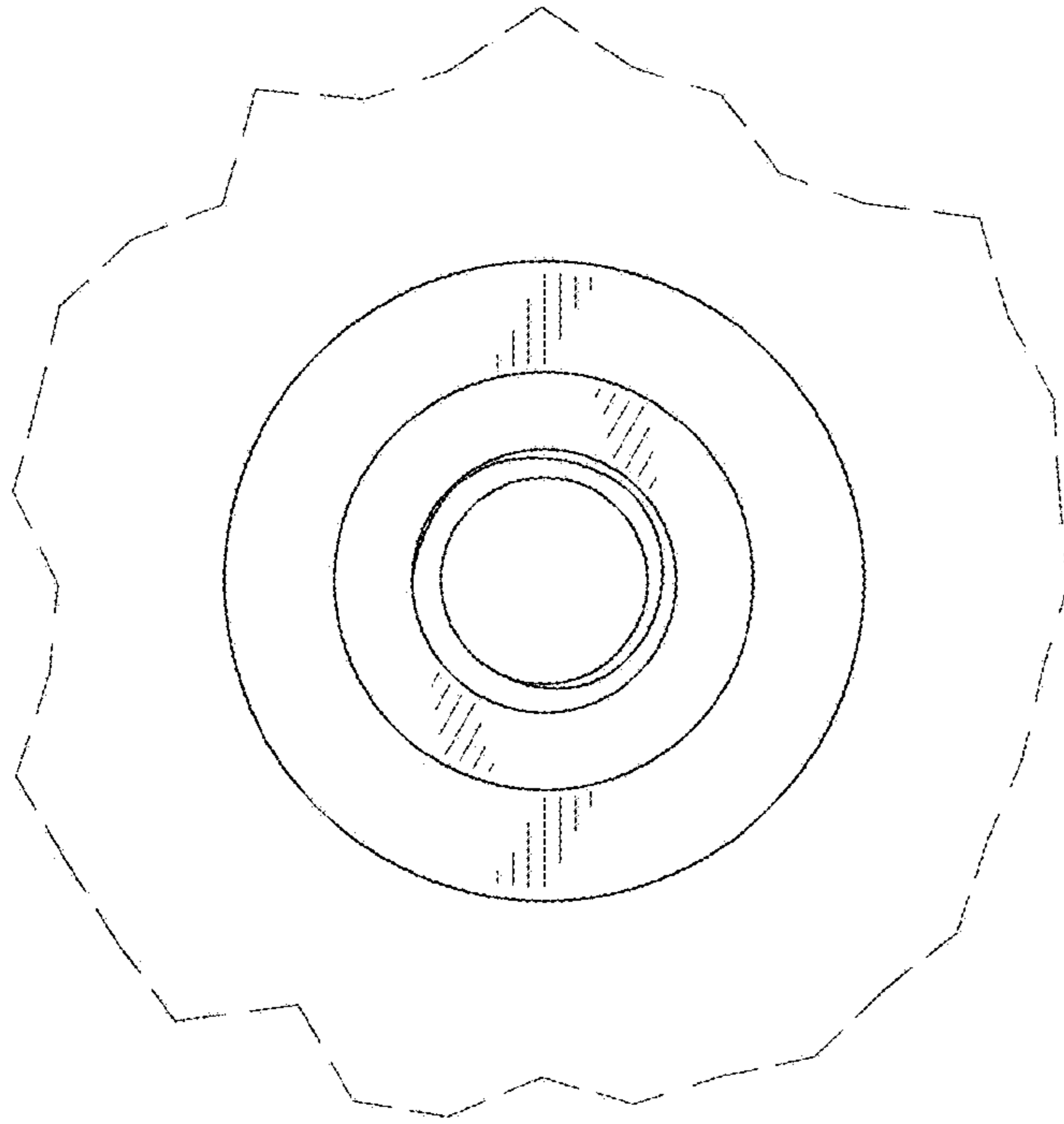


Fig. 3

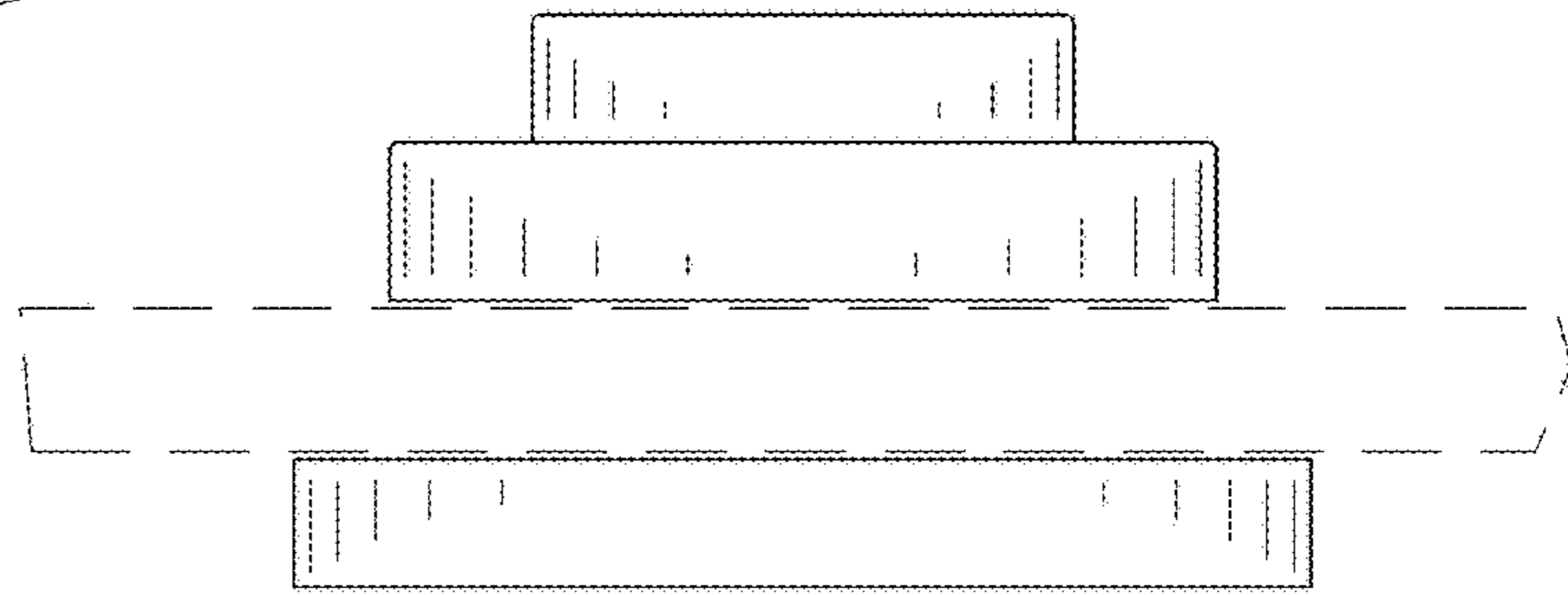


Fig. 4

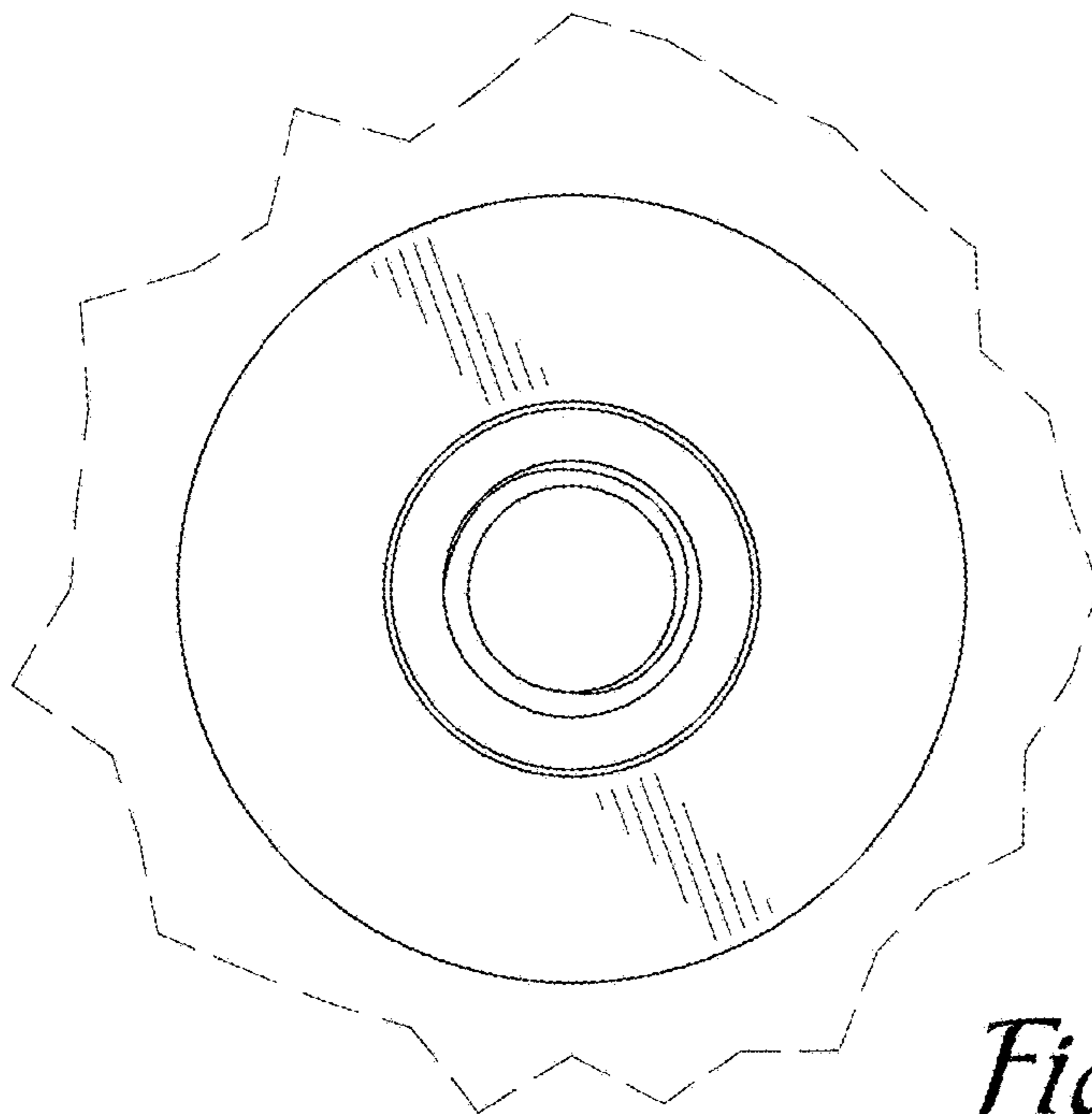


Fig. 5