



US00D941133S

(12) **United States Design Patent**
Schmidt

(10) **Patent No.:** **US D941,133 S**
(45) **Date of Patent:** **** Jan. 18, 2022**

- (54) **RIVET NUT**
- (71) Applicant: **Heiko Schmidt**, Lappersdorf (DE)
- (72) Inventor: **Heiko Schmidt**, Lappersdorf (DE)
- (**) Term: **15 Years**
- (21) Appl. No.: **29/727,486**
- (22) Filed: **Mar. 11, 2020**
- (51) **LOC (13) Cl.** **08-08**
- (52) **U.S. Cl.**
USPC **D8/386**
- (58) **Field of Classification Search**
USPC D8/387, 386, 382, 397
CPC F16B 37/064; F16B 37/062; F16B 37/06;
F16B 37/04; F16B 37/14; F16B 19/04;
F16B 2019/045; F16B 19/08; F16B
19/083; F16B 19/086; F16B 19/10; F16B
19/1027; F16B 19/1036; F16B 5/04;
F16B 37/065
See application file for complete search history.

4,911,592	A *	3/1990	Muller	B23P 19/062	411/181
D319,005	S *	8/1991	Sakayori	D8/397	
D397,607	S *	9/1998	Lawson	D8/397	
D432,088	S *	10/2000	Malak	D13/154	
D451,374	S *	12/2001	Shinjo	D8/397	
D452,428	S *	12/2001	Shinjo	D8/397	
D524,149	S *	7/2006	Kim	D8/397	
D614,247	S *	4/2010	Clausen	D21/488	
D699,545	S *	2/2014	Ackerman	D8/349	
D703,524	S *	4/2014	Sakoda	D8/397	
D706,126	S *	6/2014	Orow	D8/397	
D789,227	S *	6/2017	Galvani	D10/128	
D796,309	S *	9/2017	Cruz	D8/397	
D796,947	S *	9/2017	Hsu	D8/397	
2004/0244172	A1 *	12/2004	Elliott	B62D 27/02	29/407.05
2005/0214096	A1 *	9/2005	Zaluzec	B62D 27/02	411/104
2006/0080821	A1 *	4/2006	Yamamoto	F16B 19/10	29/428

(Continued)

Primary Examiner — Holly E Thurman
Assistant Examiner — Ieisha N Price
(74) *Attorney, Agent, or Firm* — Erickson Kernell IP, LLC; Kent R. Erickson

(56) **References Cited**

U.S. PATENT DOCUMENTS

1,883,906	A *	10/1932	Hasselquist	B21K 25/00	29/512
1,919,552	A *	7/1933	Hasselquist	F16B 37/068	29/520
2,389,989	A *	11/1945	Luce	F16B 37/06	411/303
2,415,695	A *	2/1947	Cann	F16B 37/065	411/180
3,014,609	A *	12/1961	Hobbs	F16B 37/065	29/509
4,026,341	A *	5/1977	Menke	F16B 37/064	411/103
4,202,243	A *	5/1980	Leonhardt	F16B 5/04	29/524.1
D270,642	S *	9/1983	Watts	D15/126	

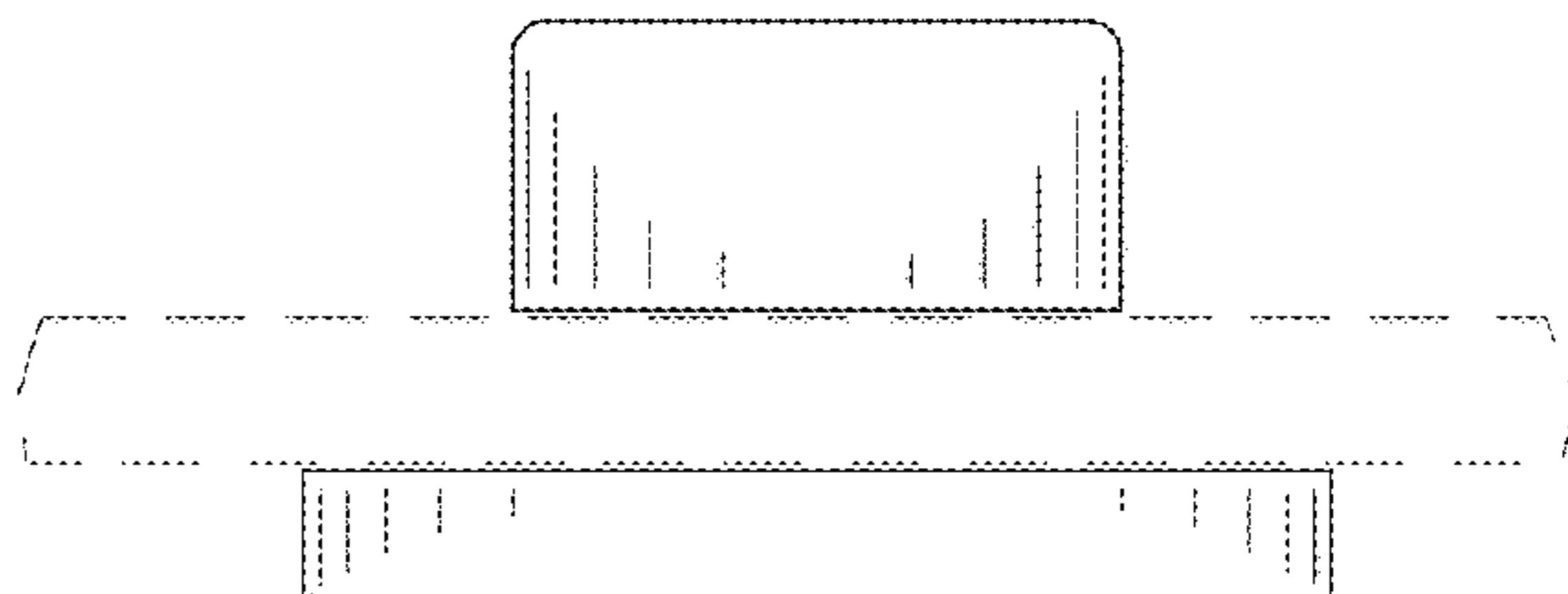
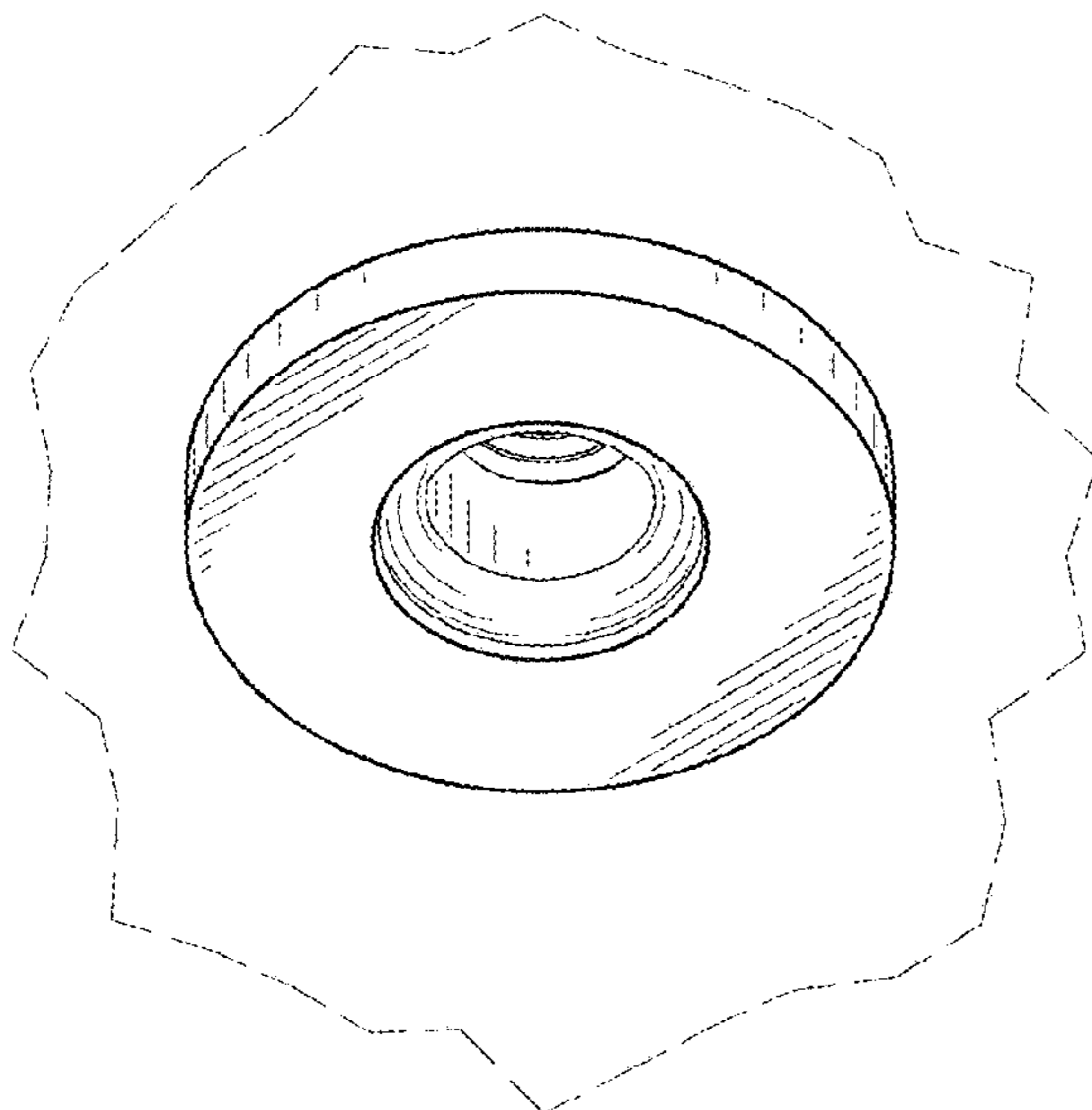
(57) **CLAIM**

The ornamental design for a rivet nut, as shown and described.

DESCRIPTION

FIG. 1 is an environmental, top perspective view of a rivet nut shown secured to sheet material; FIG. 2 is a bottom perspective view thereof; FIG. 3 is a top plan view thereof; FIG. 4 is a side elevational view thereof; and, FIG. 5 is a bottom plan view thereof. The broken lines in the drawing disclosure, showing of the sheet metal, illustrates the environment of the claimed design and forms no part thereof.

1 Claim, 2 Drawing Sheets



(56)

References Cited

U.S. PATENT DOCUMENTS

2006/0099050 A1* 5/2006 Maloney F16B 5/04
411/500
2006/0177285 A1* 8/2006 Maloney F16B 17/008
411/501
2008/0120825 A1* 5/2008 Stuart B23P 19/062
29/509
2008/0148544 A1* 6/2008 Stuart F16B 37/068
29/509
2009/0196678 A1* 8/2009 Babej F16B 37/062
403/19
2009/0297291 A1* 12/2009 Schmidt B23P 19/062
411/180
2010/0290865 A1* 11/2010 Schraer F16B 37/12
411/395
2015/0043995 A1* 2/2015 Lee F16B 37/067
411/511
2015/0322992 A1* 11/2015 Hwang F16B 37/062
411/511
2016/0258470 A1* 9/2016 Sakoda F16B 37/065
2018/0100529 A1* 4/2018 Humpert F16B 19/10
2019/0010973 A1* 1/2019 Hirschmann F16B 37/068
2019/0353195 A1* 11/2019 Schmidt F16B 39/12
2019/0368528 A1* 12/2019 Wu F16B 19/10
2020/0103014 A1* 4/2020 Mangapora F16B 37/045
2020/0149575 A1* 5/2020 Maloney F16B 19/05
2020/0208674 A1* 7/2020 Wang F16B 39/28
2020/0290111 A1* 9/2020 Donhauser F16B 37/065
2021/0102566 A1* 4/2021 Wu F16B 19/10
2021/0140455 A1* 5/2021 Zaczpal F16B 5/0275
2021/0146856 A1* 5/2021 Larsson F16B 37/062

* cited by examiner

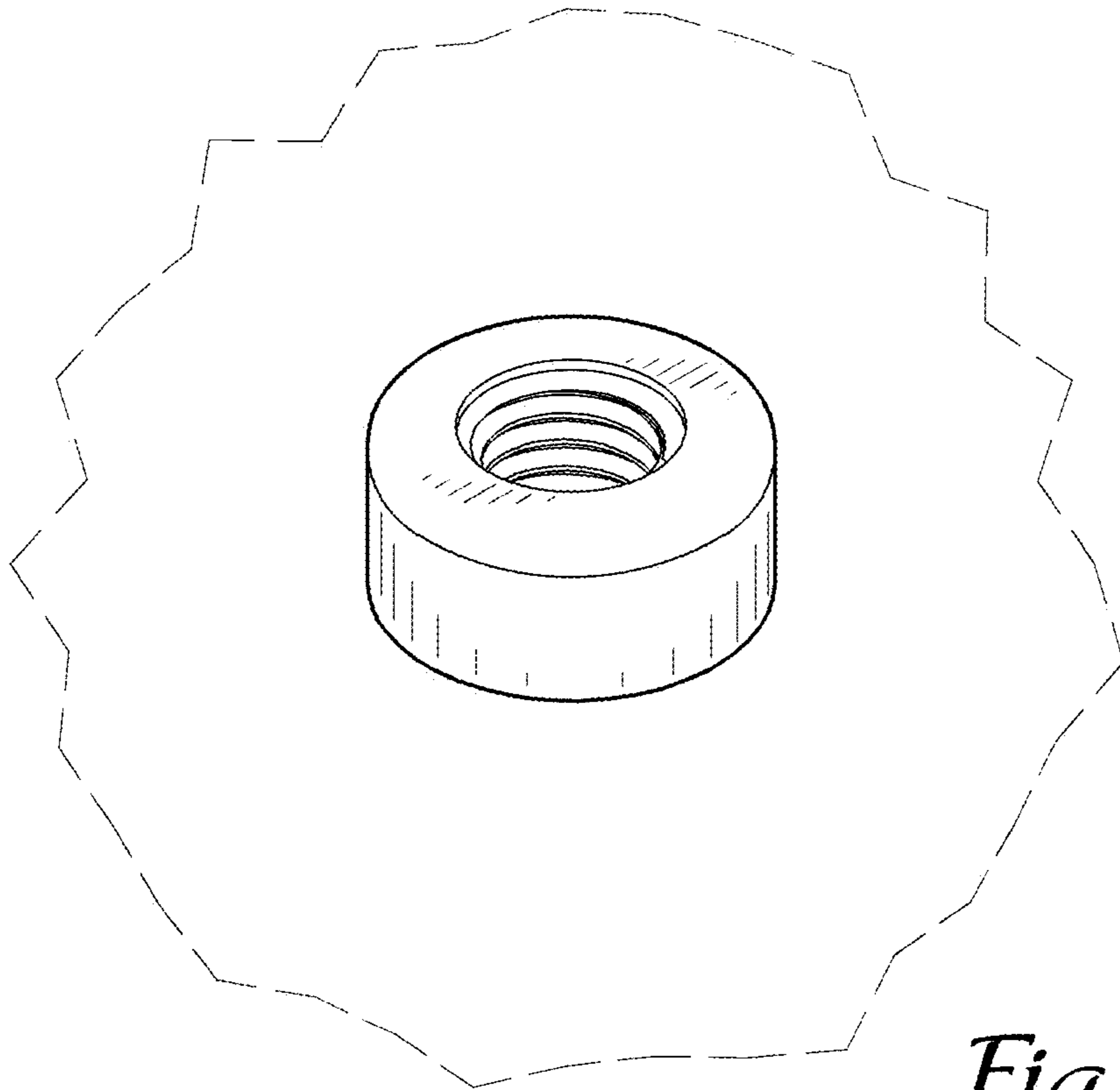


Fig. 1

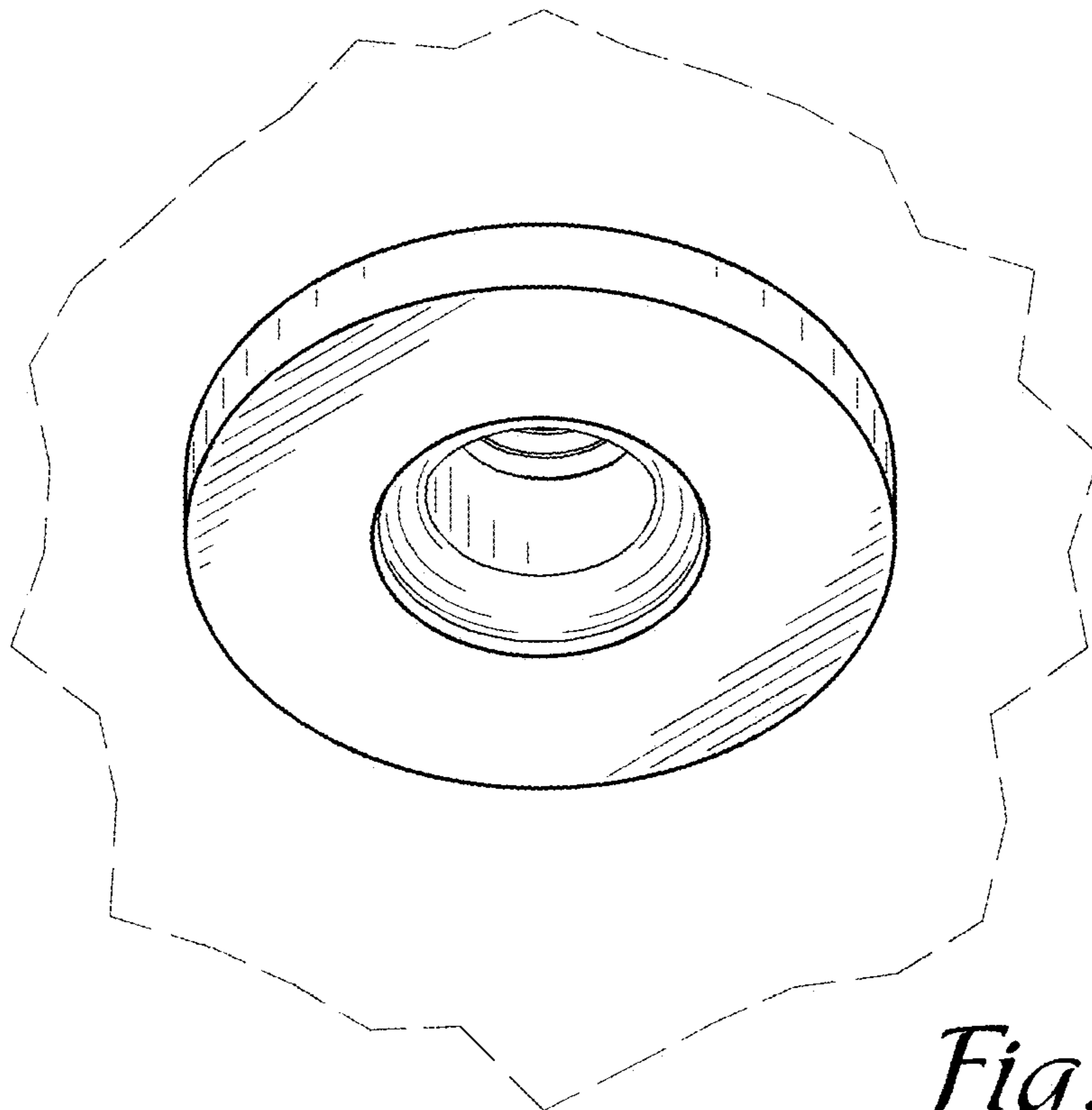


Fig. 2

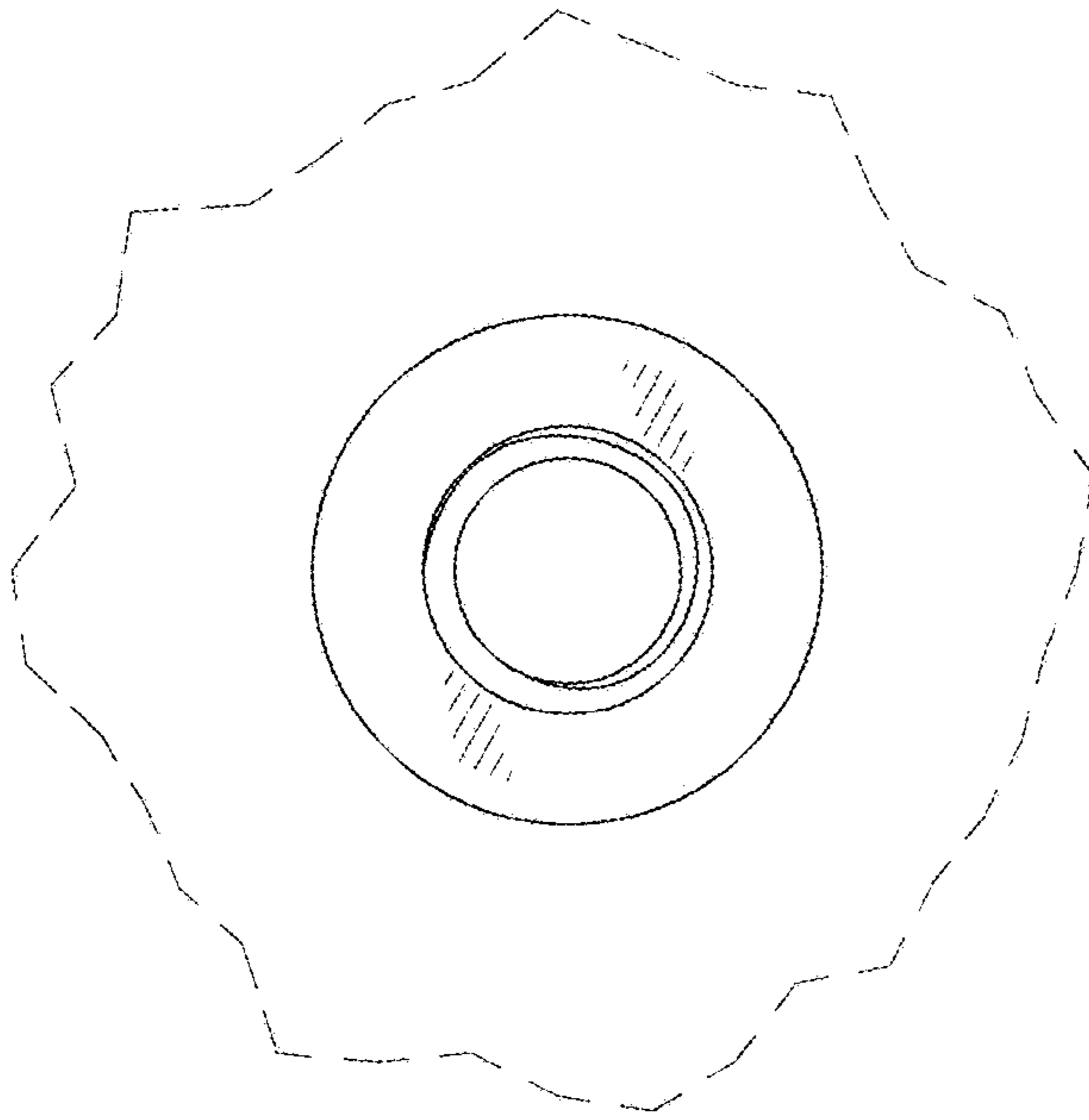


Fig. 3

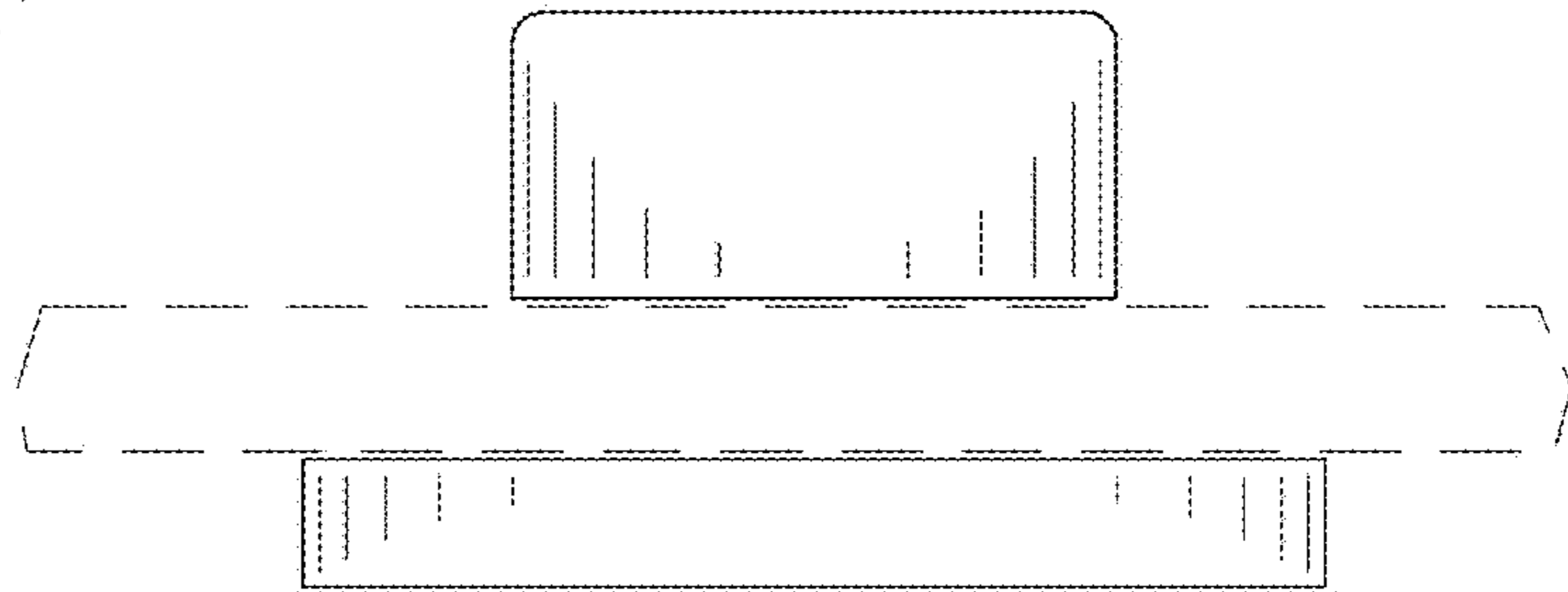


Fig. 4

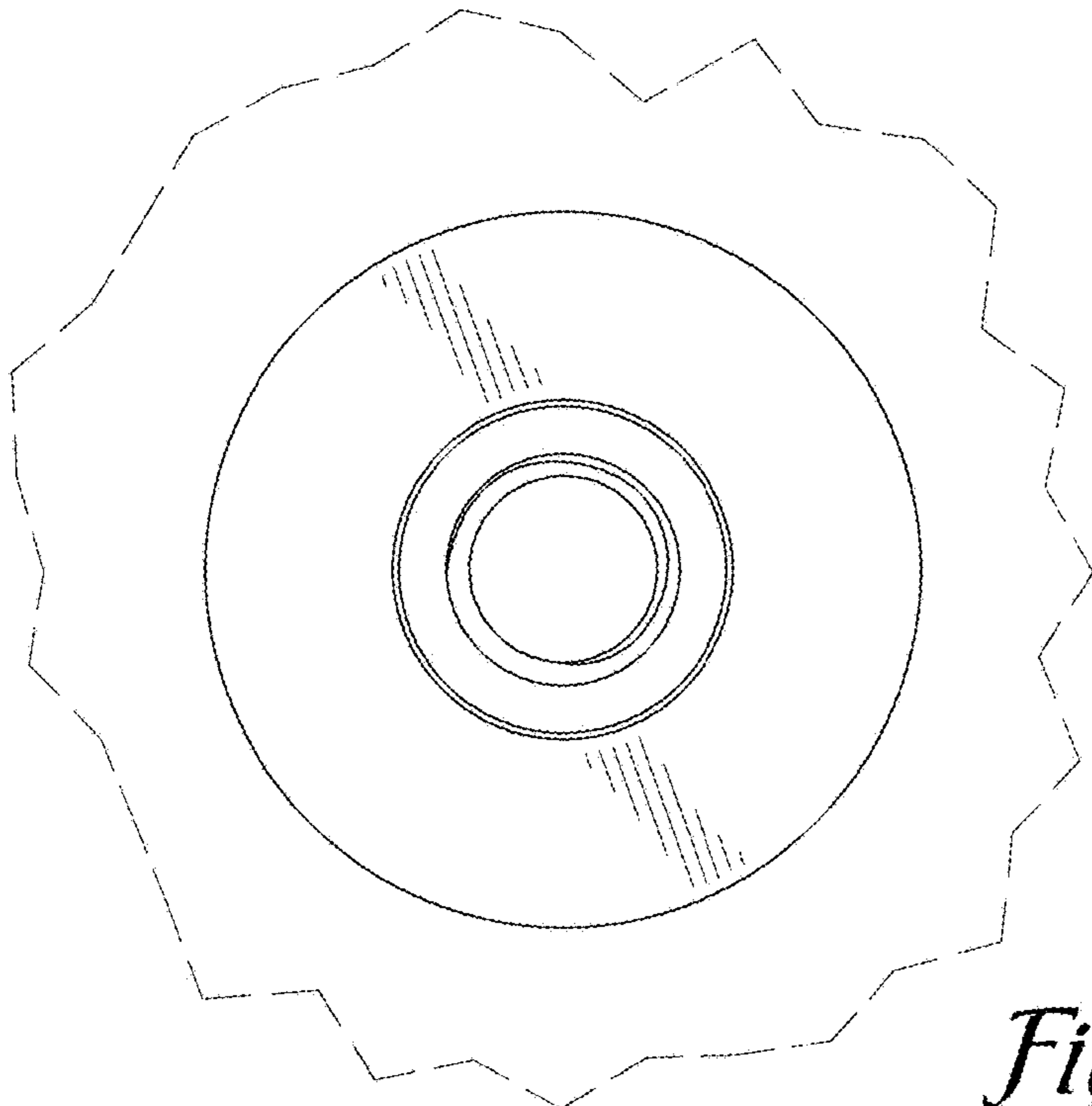


Fig. 5