



US00D941132S

(12) **United States Design Patent**
Schmidt

(10) **Patent No.:** **US D941,132 S**
(45) **Date of Patent:** **** Jan. 18, 2022**

- (54) **RIVET NUT**
- (71) Applicant: **Heiko Schmidt**, Lappersdorf (DE)
- (72) Inventor: **Heiko Schmidt**, Lappersdorf (DE)
- (**) Term: **15 Years**
- (21) Appl. No.: **29/727,484**
- (22) Filed: **Mar. 11, 2020**
- (51) **LOC (13) Cl.** **08-08**
- (52) **U.S. Cl.**
USPC **D8/386**
- (58) **Field of Classification Search**
USPC D8/387, 386, 382, 397
CPC F16B 37/064; F16B 37/062; F16B 37/06;
F16B 37/04; F16B 37/14; F16B 19/04;
F16B 2019/045; F16B 19/08; F16B
19/083; F16B 19/086; F16B 19/10; F16B
19/1027; F16B 19/1036; F16B 5/04;
F16B 37/065
See application file for complete search history.

- 5,302,066 A * 4/1994 Bieschke F16B 37/062
411/181
- D375,264 S * 11/1996 Galarza D9/452
- 5,618,145 A * 4/1997 Kuo F16B 21/186
411/368
- 5,904,460 A * 5/1999 Kawabata F16B 37/04
411/155
- D437,211 S * 2/2001 Pamer D8/397
- D440,865 S * 4/2001 Pamer D8/397
- D448,659 S * 10/2001 Pamer D8/397
- D454,057 S * 3/2002 Pamer D8/397
- D454,484 S * 3/2002 Pamer D8/397
- 7,258,517 B2 * 8/2007 Ross B23P 19/062
411/180
- D557,132 S * 12/2007 Shinjo D8/397
- D613,596 S * 4/2010 Mangapora D8/397
- D703,523 S * 4/2014 Kashimura D8/397
- D703,524 S * 4/2014 Sakoda D8/397
- 8,931,160 B2 * 1/2015 Shinjo B23P 19/062
29/512
- 9,109,620 B2 * 8/2015 Pecho F16B 37/068
- D860,774 S * 9/2019 Epstein D8/397

(Continued)

Primary Examiner — Holly E Thurman
Assistant Examiner — Ieisha N Price
 (74) *Attorney, Agent, or Firm* — Erickson Kernell IP,
 LLC; Kent R. Erickson

(56) **References Cited**

U.S. PATENT DOCUMENTS

- 1,925,753 A * 9/1933 Fitch F16B 37/00
470/21
- 3,014,609 A * 12/1961 Hobbs F16B 37/065
29/509
- D199,930 S * 12/1964 Murphy D8/397
- 3,204,679 A * 9/1965 Walsh F16B 37/068
411/180
- D233,138 S * 10/1974 Vogel D9/453
- 4,543,023 A * 9/1985 Capuano F16B 37/068
411/180
- 4,637,766 A * 1/1987 Milliser F16B 37/068
411/180
- 4,911,592 A * 3/1990 Muller B23P 19/062
411/181
- 4,940,375 A * 7/1990 Marvell B23P 19/062
29/432.2

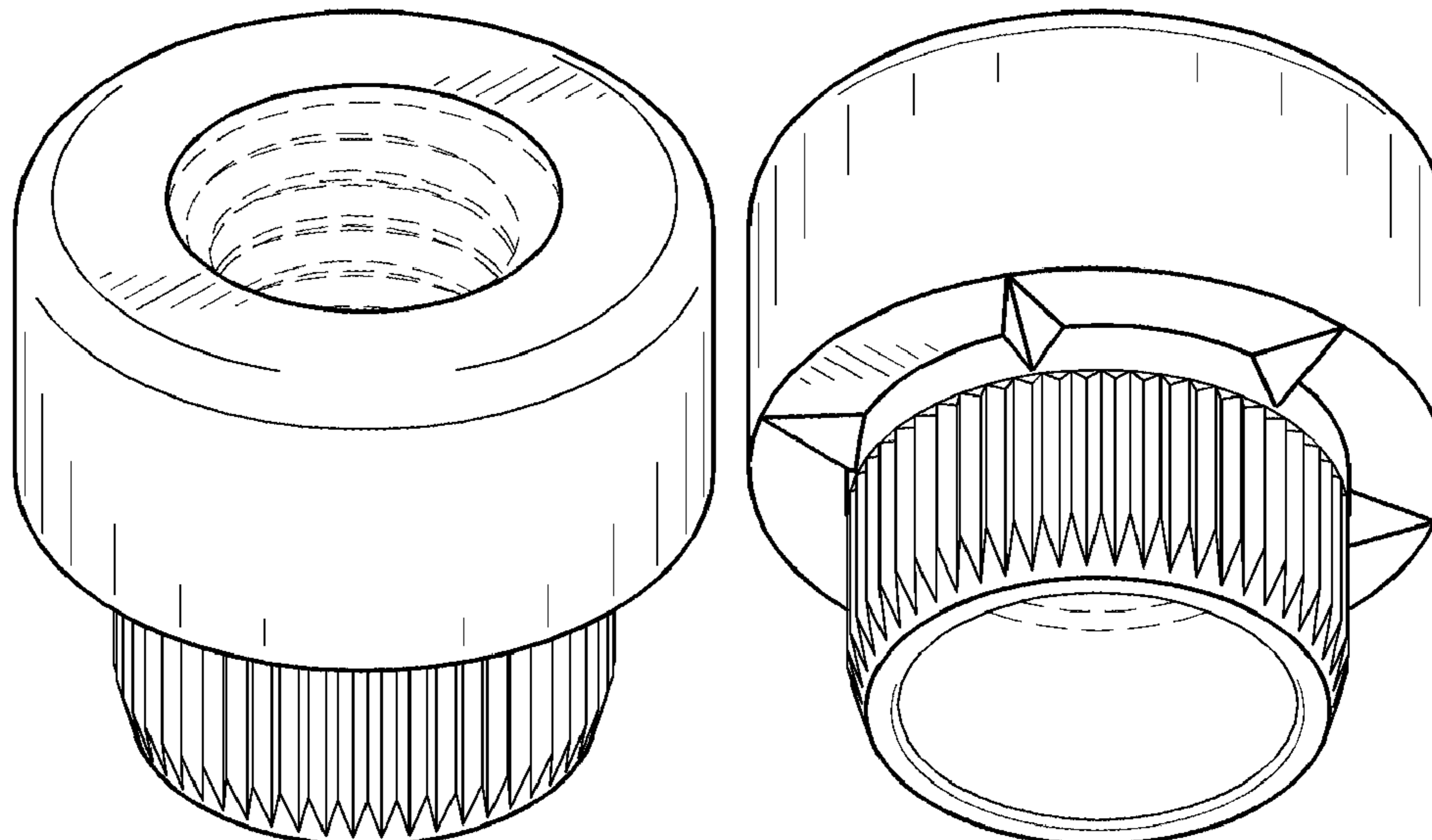
(57) **CLAIM**

The ornamental design for a rivet nut, as shown and described.

DESCRIPTION

FIG. 1 is a top perspective view of a rivet nut;
 FIG. 2 is a bottom perspective view thereof;
 FIG. 3 is a top plan view thereof;
 FIG. 4 is a side elevational view thereof; and,
 FIG. 5 is a bottom plan view thereof.
 The broken lines in the drawings illustrate portions of the rivet nut and form no part of the claimed design.

1 Claim, 2 Drawing Sheets



(56)

References Cited

U.S. PATENT DOCUMENTS

D871,201 S * 12/2019 Shinjo D8/397
2002/0172573 A1 * 11/2002 Pamer G11B 5/102
411/337
2004/0244172 A1 * 12/2004 Elliott B62D 27/02
29/407.05
2006/0177285 A1 * 8/2006 Maloney F16B 17/008
411/501
2007/0151091 A1 * 7/2007 Babej F16B 19/10
29/509
2008/0148544 A1 * 6/2008 Shuart F16B 37/068
29/509
2008/0193254 A1 * 8/2008 Selle F16B 37/065
411/188
2009/0196678 A1 * 8/2009 Babej F16B 37/062
403/19
2015/0082607 A1 * 3/2015 Diehl B29C 66/8322
29/524.1
2015/0322992 A1 * 11/2015 Hwang F16B 37/062
411/511
2015/0322994 A1 * 11/2015 Mangapora F16B 37/065
411/180
2017/0002854 A1 * 1/2017 Fahy F16B 37/04
2019/0368527 A1 * 12/2019 Mahlme B21J 15/041

* cited by examiner

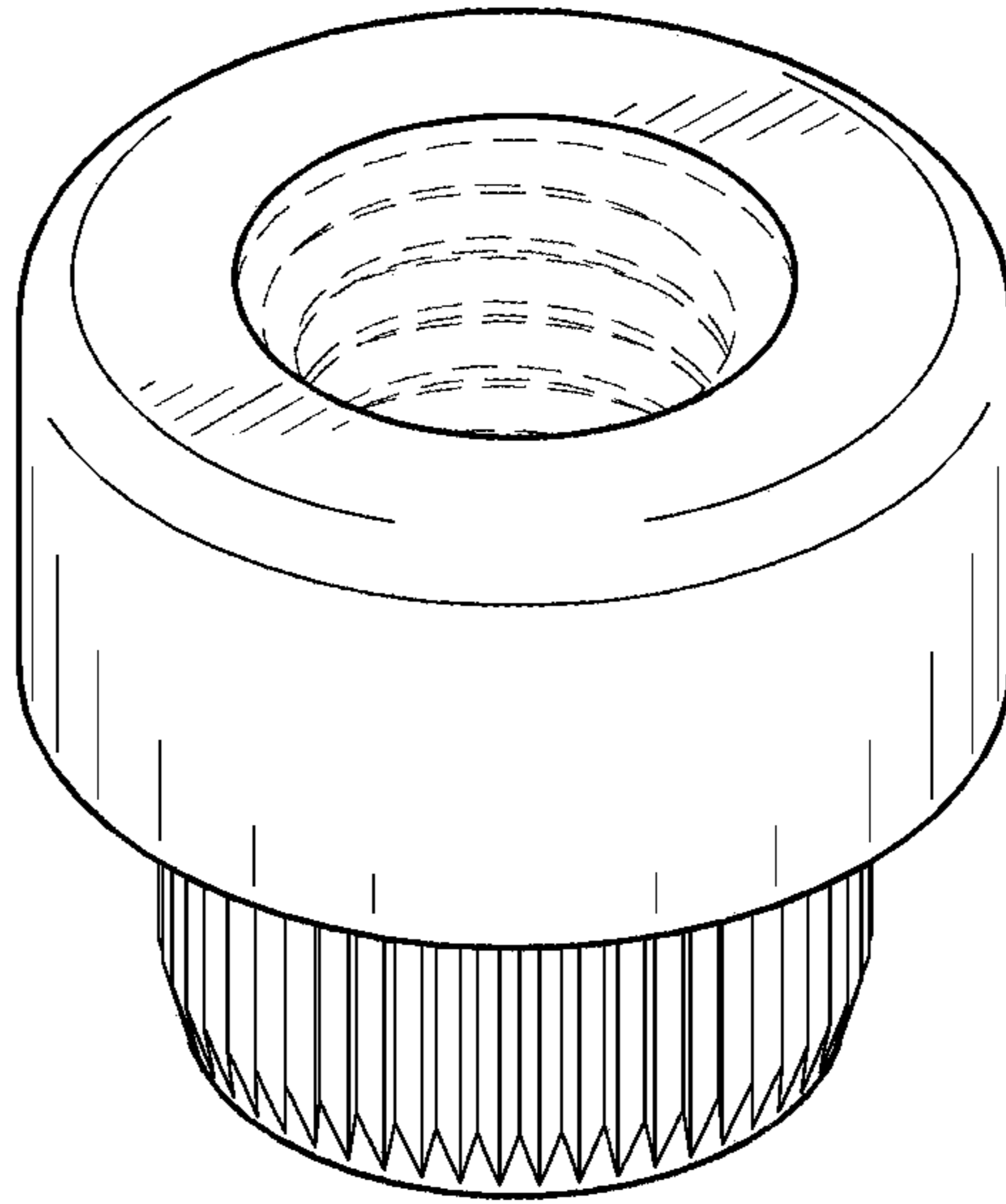


Fig. 1

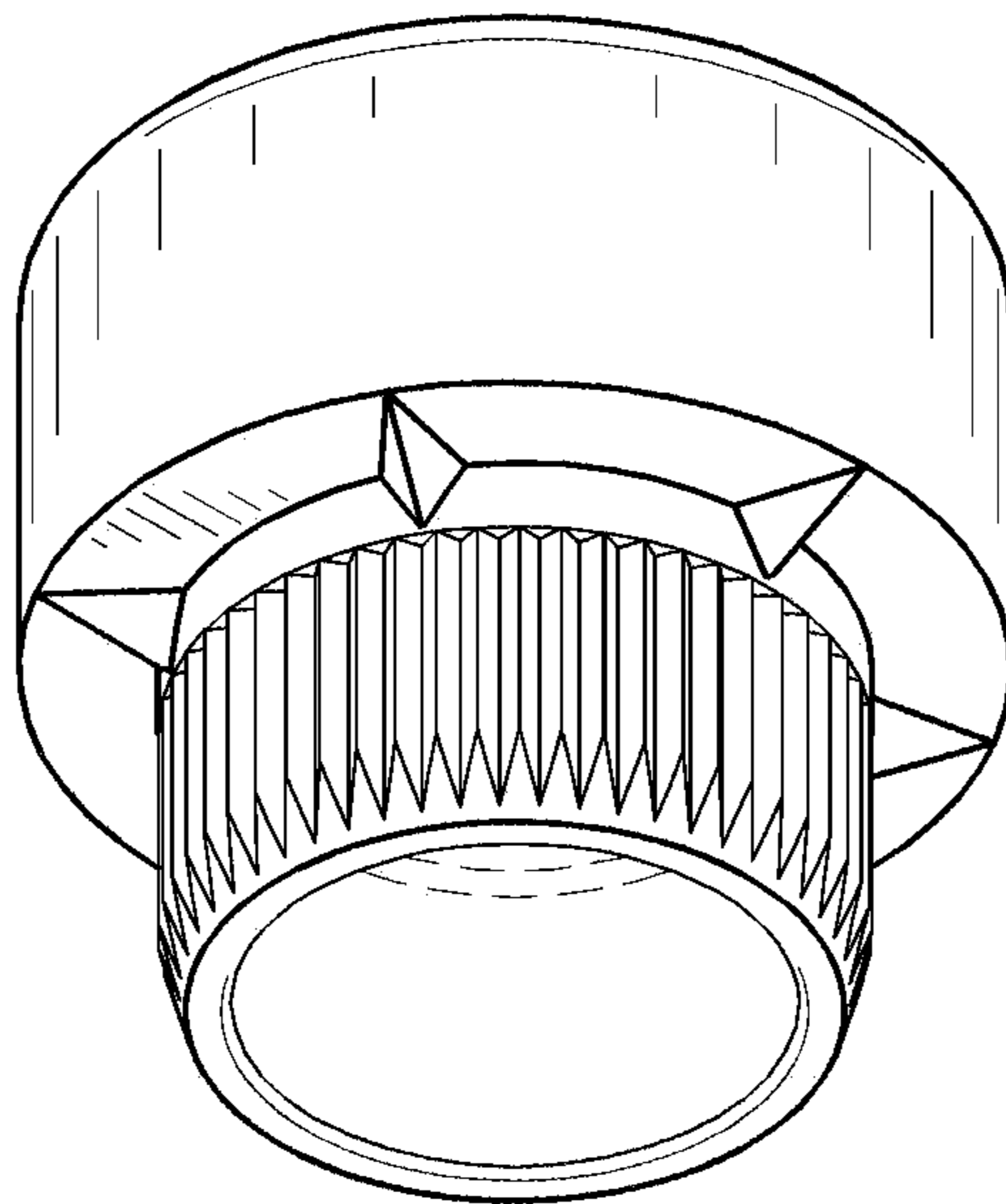


Fig. 2

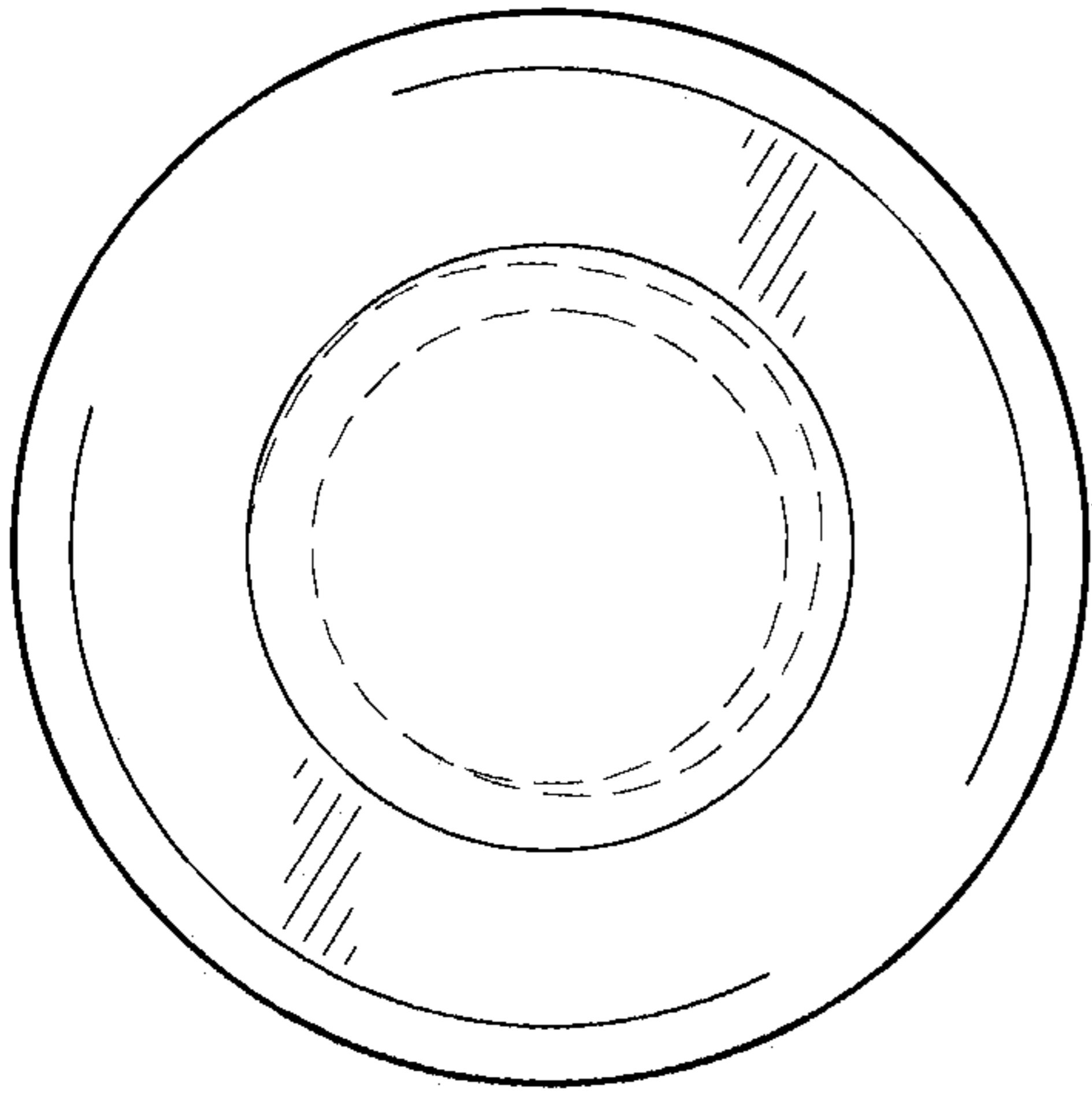


Fig. 3

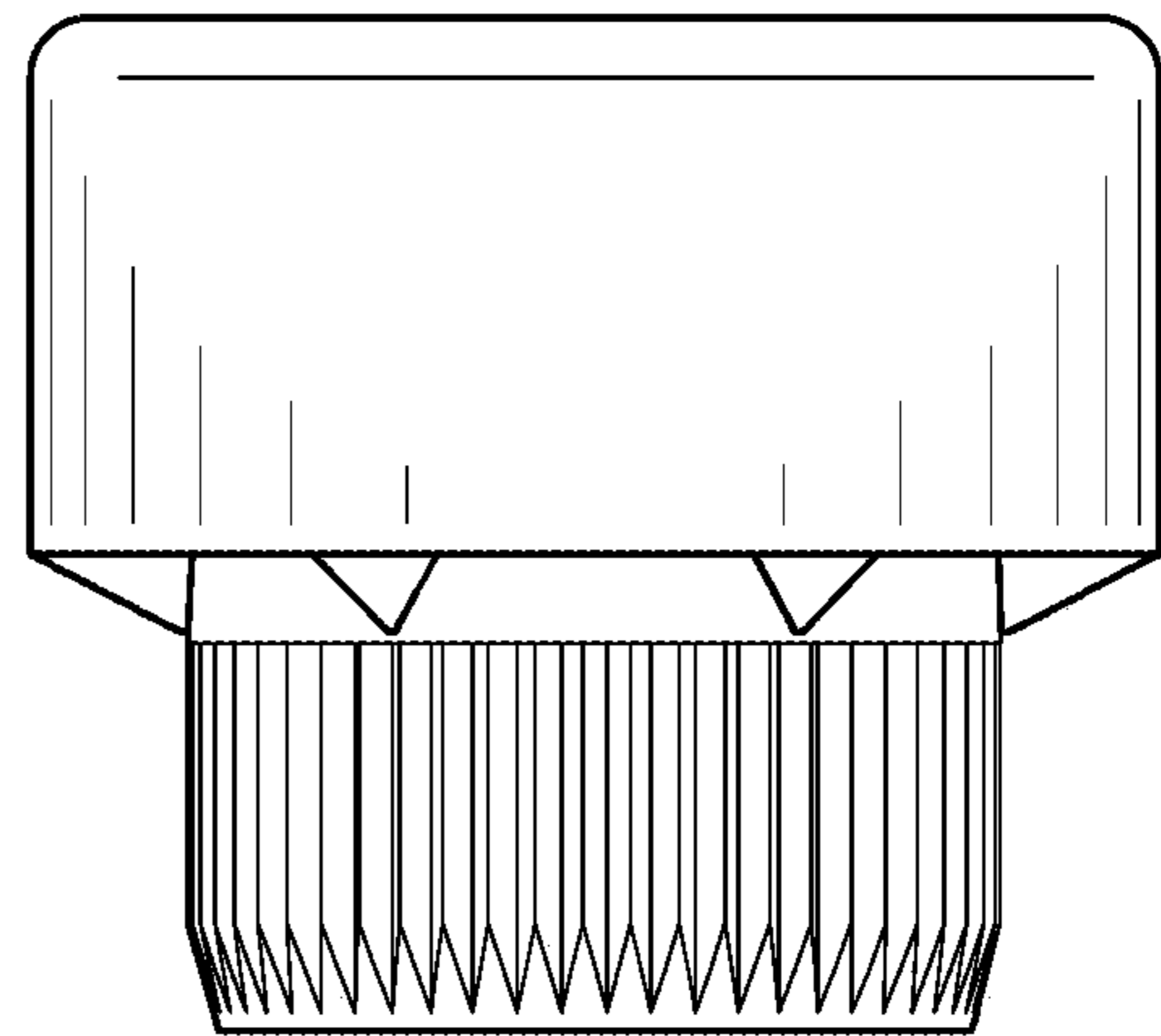


Fig. 4

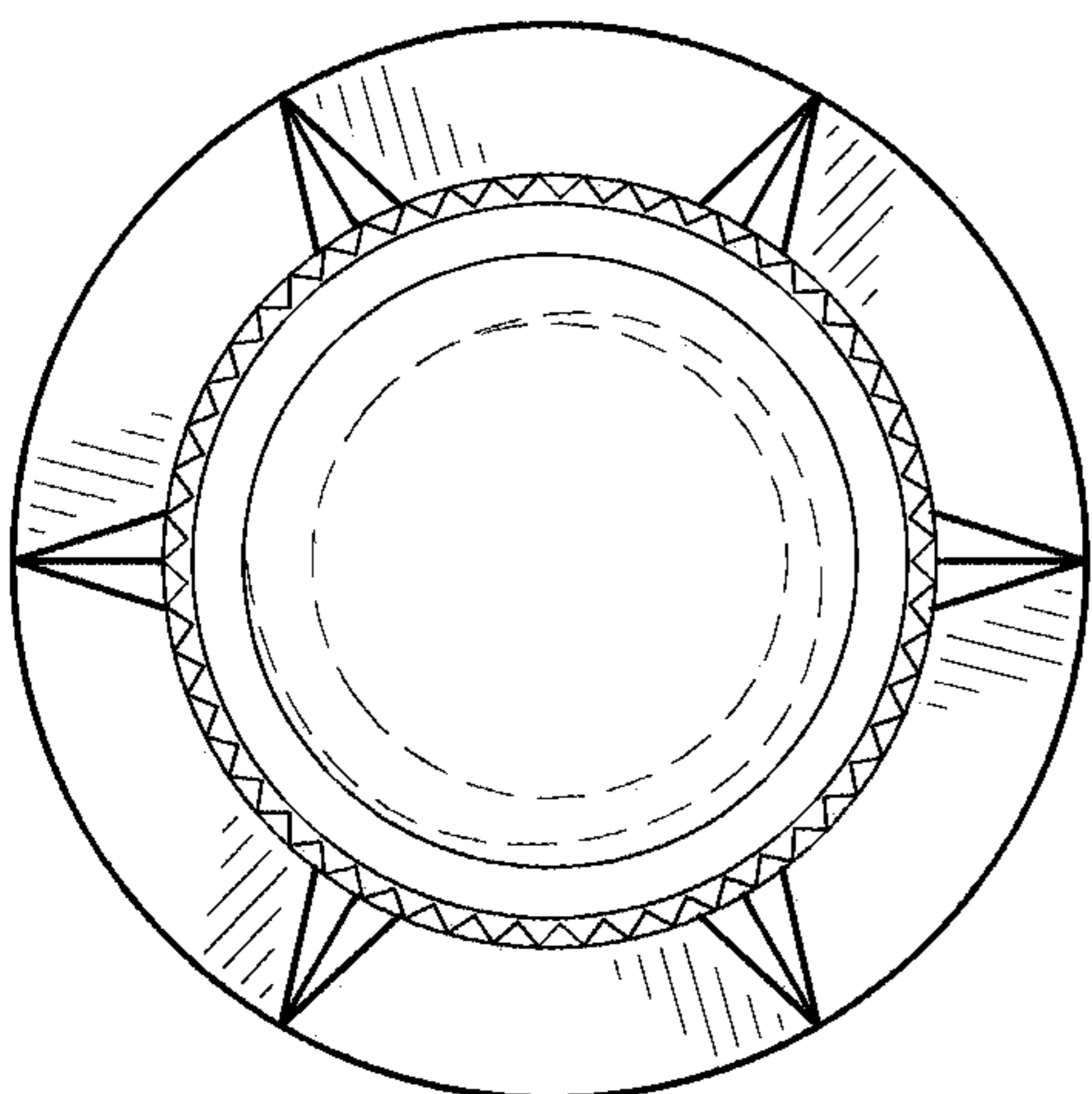


Fig. 5