



US00D941130S

(12) **United States Design Patent** (10) **Patent No.:** **US D941,130 S**
Wendling (45) **Date of Patent:** **** Jan. 18, 2022**

(54) **FURNITURE RISER**
(71) Applicant: **Just Fur Love LLC**, Boston, MA (US)
(72) Inventor: **Allan Wendling**, New Lothrop, MI (US)
(73) Assignee: **Just Fur Love, LLC**, Boston, MA (US)
(**) Term: **15 Years**

D492,190 S * 6/2004 Howe D8/374
D493,095 S 7/2004 Sittig
D493,096 S 7/2004 Sittig
D513,583 S * 1/2006 Chase D8/374
9,033,293 B1 5/2015 Glenn et al.
D734,135 S 7/2015 Merey
D736,607 S 8/2015 Sheldon
D756,758 S * 5/2016 Meyers D8/374
(Continued)

(21) Appl. No.: **29/749,452**
(22) Filed: **Sep. 4, 2020**

Related U.S. Application Data

(62) Division of application No. 29/723,496, filed on Feb. 7, 2020, now abandoned.
(51) **LOC (13) Cl.** **08-05**
(52) **U.S. Cl.**
USPC **D8/374**
(58) **Field of Classification Search**
USPC D8/15, 16, 19, 20, 72-74, 349, 374, 375, D8/376, 366, 354, 382, 499, 680, 681, D8/310, 307, 321, 399, 398; D17/20, 99, D17/9; D6/708.16, 710
CPC A47C 7/006; A47C 7/62; A47B 91/12; B60T 3/00; A47F 1/065; G10C 3/16
See application file for complete search history.

(56) **References Cited**

U.S. PATENT DOCUMENTS

1,912,728 A 6/1933 Roe
3,126,666 A 3/1964 Peterson
3,138,893 A 6/1964 Rupar
5,210,903 A * 5/1993 Horning B60B 33/00
16/18 R
D336,843 S 6/1993 Hurst
5,345,631 A 9/1994 Saperstein et al.
D423,340 S 4/2000 Sittig
6,345,474 B1 2/2002 Triplett

OTHER PUBLICATIONS

Dapre Furniture Riser Bed Riser Heavy Duty Furniture Riser for Bed Chair Sofa Table 4 PCS 3-inch; [\(Continued\)](https://www.amazon.com/Dapre-Furniture-Riser_Heavy-3-inch/dp/B07Y9XKWCR/ref=sr_1_231?keywords=furniture+riser&qid=15752397038sr=8-231, Dec. 1, 2019, 1 page.</p></div>
<div data-bbox=)

Primary Examiner — Eliza Z Bennett-Hattan
(74) *Attorney, Agent, or Firm* — Wolf, Greenfield & Sacks, P.C.

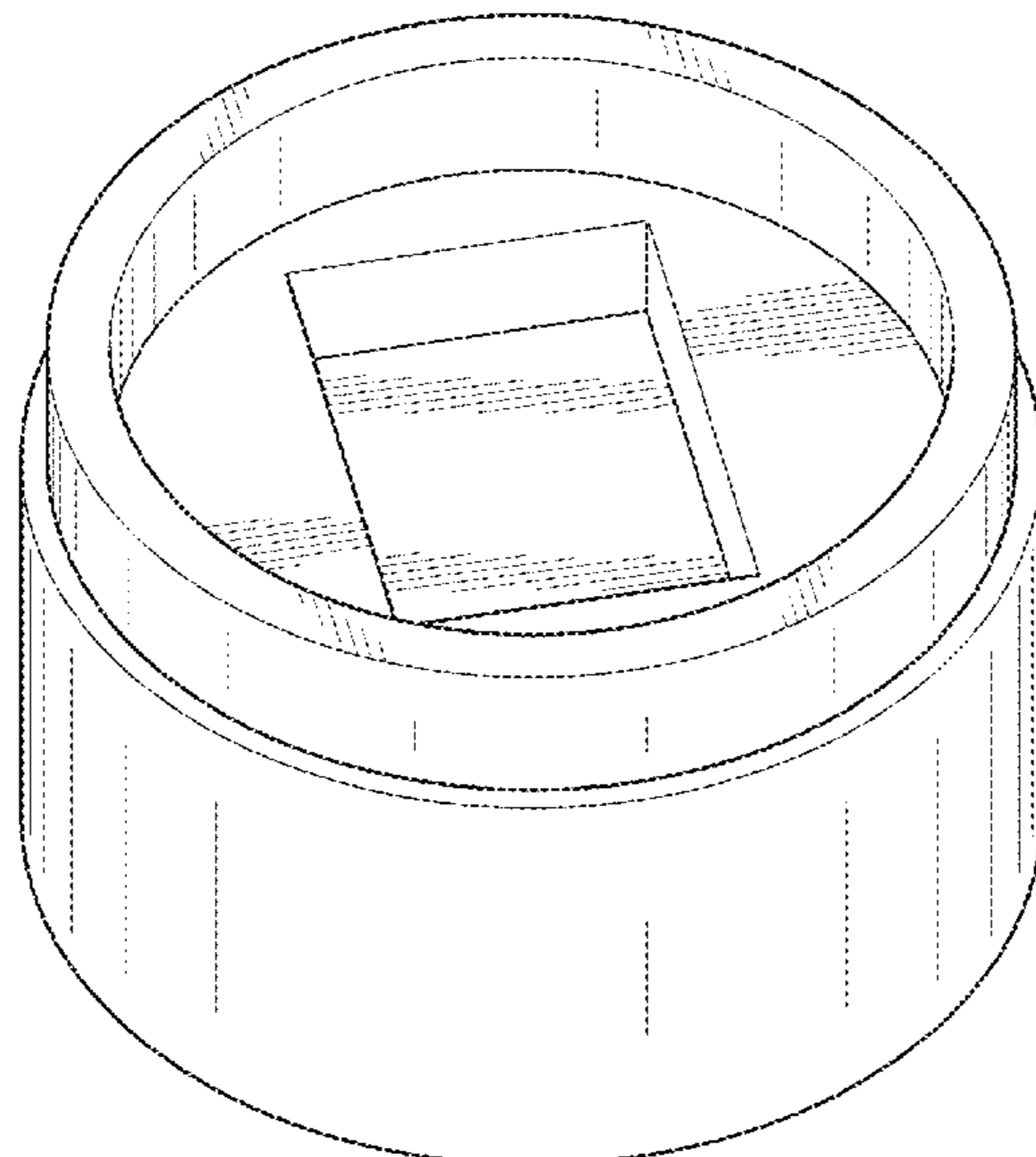
(57) **CLAIM**

The ornamental design for a furniture riser, as shown and described.

DESCRIPTION

FIG. 1 is a perspective view showing a face of a furniture riser;
FIG. 2 is an opposite perspective view showing the face of the furniture riser;
FIG. 3 is a front elevation view of the furniture riser;
FIG. 4 is a rear elevation view of the furniture riser;
FIG. 5 is a right side elevation view of the furniture riser;
FIG. 6 is a left side elevation view of the furniture riser; and,
FIG. 7 is a bottom plan view of the furniture riser.
The broken lines show components of the furniture riser that form no part of the claimed design.

1 Claim, 3 Drawing Sheets



(56)

References Cited

U.S. PATENT DOCUMENTS

D758,836	S *	6/2016	Symons	D8/383
D763,068	S *	8/2016	Symons	D8/383
D784,120	S	4/2017	Abdi et al.		
D828,144	S	9/2018	Rodack		
D893,288	S *	8/2020	Wendling	D8/374
2020/0146448	A1 *	5/2020	Wendling	A47B 91/005

OTHER PUBLICATIONS

Accidibca Bed Riser Furniture Lift ed Frame Risers Create Under Bed Storage Heavy Duty Set of 4 (white); https://www.amazon.com/Accidibca-Furniture-Risers-Create-Storage/dp/B0783B8XBV/ref=sr_1_15?keywords=furniture+riser&qid=1575239070&sr=8-15; Dec. 1, 2019, 1 page.

MEETWARM 3 Inch Bed Risers Heavy Duty Furniture Risers Stackable Platform Blocks for Dorm Couch Bed Sofa Chair Table (Black), Set of 4; https://www.amazon.com/MEETWARM-Risers-Furniture-Stackable-Platform/dp/B07SDCYRM6/ref=sr_1_30?keywords=furniture+riser&qid=1575239070&sr=8-30; Dec. 1, 2019; 1 page.

Primio Bed and Furniture Risers—8 Pack Rounder Elevator up to 3" & Lifts Up to 10,000 LBs; https://www.amazon.com/iPrimio-Bed-Furniture-Risers-Stackable/dp/B07BWM2KPZ/ref=sr_1_25?keywords=furniture+riser&qid=15807469908sr=8-25; Apr. 3, 2018; 1 page.

Exprotekt Bed and Furniture Round Risers, 4 Pack Elevator up to 2" Per Riser; • <https://www.amazon.com/Ezprotekt-Furniture->

Round-Risers-Elevator/dp/B07XGJ8VPZ/ref=sr_1_33?keywords=furniture+riser&qid=15807469908sr=8-33> Nov. 24, 2019; 1 page.

FASONLA Bed Risers (Set of 8) Furniture Risers Lifts Height 1", 2", 3" or 4"; • https://www.amazon.com/FASONLA-Furniture-Natural-Non-Slip-Recessed/dp/B07TG1WGS1/ref=sr_1_34?keywords=furniture+riser&qid=1580746990&sr=8-34> Aug. 1, 2019; 1 page.

Xinshidai Bed and Furniture Solid Wood Round Risers; • https://www.amazon.com/Xinshidai-Furniture-Risers-Scratch-Floors/dp/B07PGQ73FZ/ref=sr_1_5?keywords=furniture+riser+round&qid=1580747016&sr=8-5> Aug. 4, 2019; 1 page.

OwnMy Round Circular Bed Risers Heavy Duty Furniture Risers; • https://www.amazon.com/OwnMy-Circular-Risers-Furniture-Lifter/dp/B07JFHP5DT/ref=sr_1_10?keywords=furniture+riser+round&qid=1580747016&sr=8-10> Jan. 23, 2019; 1 page.

Xinshidai Bed and Furniture Round Risers Silica Gel Bottom; • https://www.amazon.com/Xinshidai-Furniture-Risers-Scratch-Floors/dp/B07Z3YD6H6/ref=sr_1_16?keywords=furniture+riser+round&qid=1580747016&sr=8-16>; Feb. 5, 2020, 1 page.

MIIX HOME / 8 Pack Round Black Durable & Stackable & Adjustable Bed Risers; https://www.amazon.com/MIIX-HOME-Stackable-Adjustable-Furniture/dp/B079KH75M7/ref=sr_1_25?keywords=furniture+riser+round&qid=1580747016&sr=8-25> Feb. 2, 2020; 1 page.

Honey-Can-Do STO-01150 Wood Bed Lifts; • https://www.amazon.com/Honey-Can-Do-STO-01150-Wood-Bed-Lifts/dp/B009LFQA9K/ref=sr_1_48?keywords=furniture+riser+round&qid=1580747016&sr=8-48> Dec. 18, 2013; 1 page.

Xinshidai Lift Furniture Risers; • https://www.amazon.com/Furniture-Risers-Height-Heavy-Supports/dp/B075YPG3MX/ref=sr_1_49?keywords=furniture+riser+round&qid=1580747016&sr=8-49> Jan. 3, 2018; 1 page.

* cited by examiner

FIG. 1

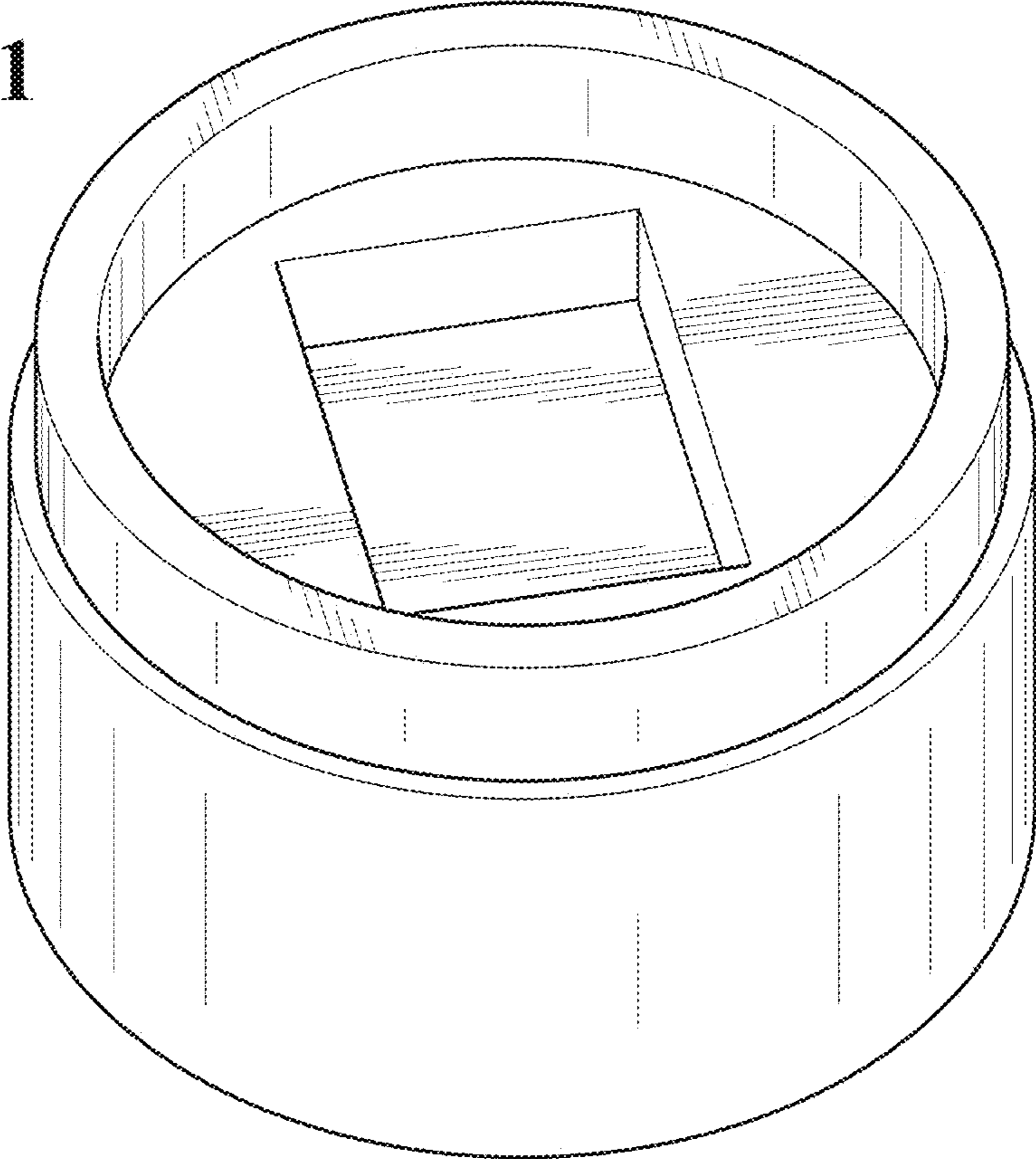


FIG. 2

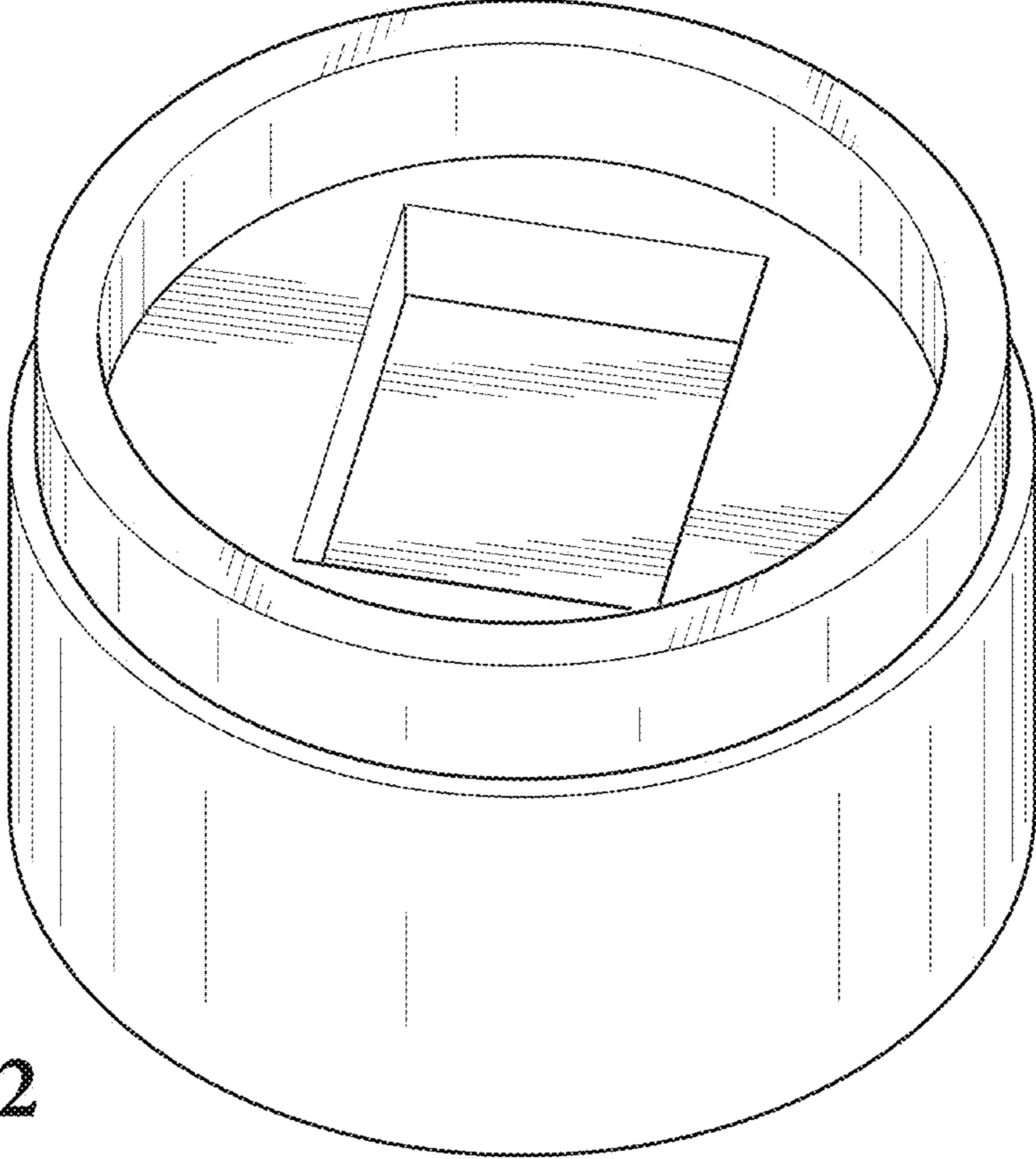


FIG. 3

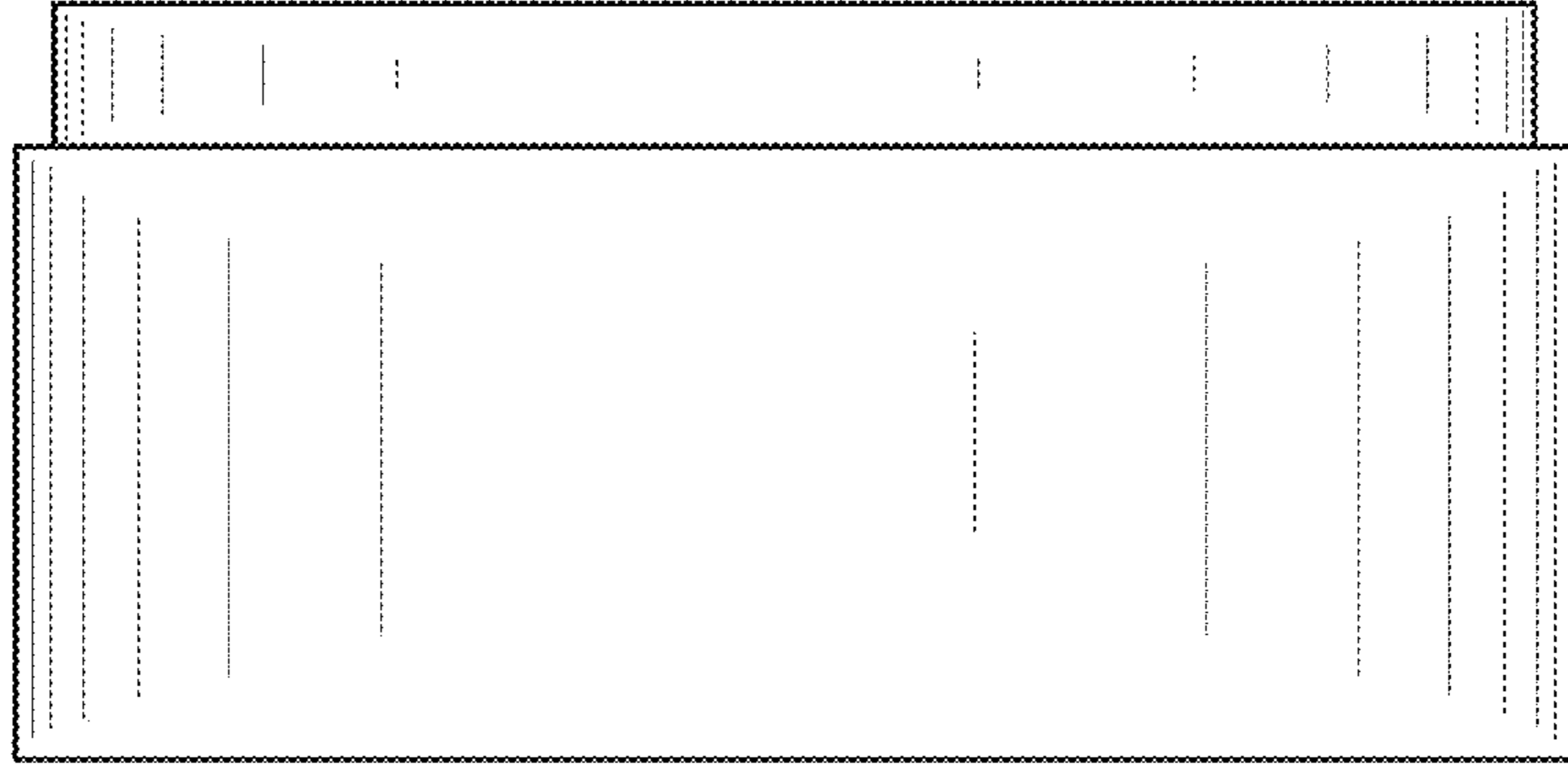


FIG. 4

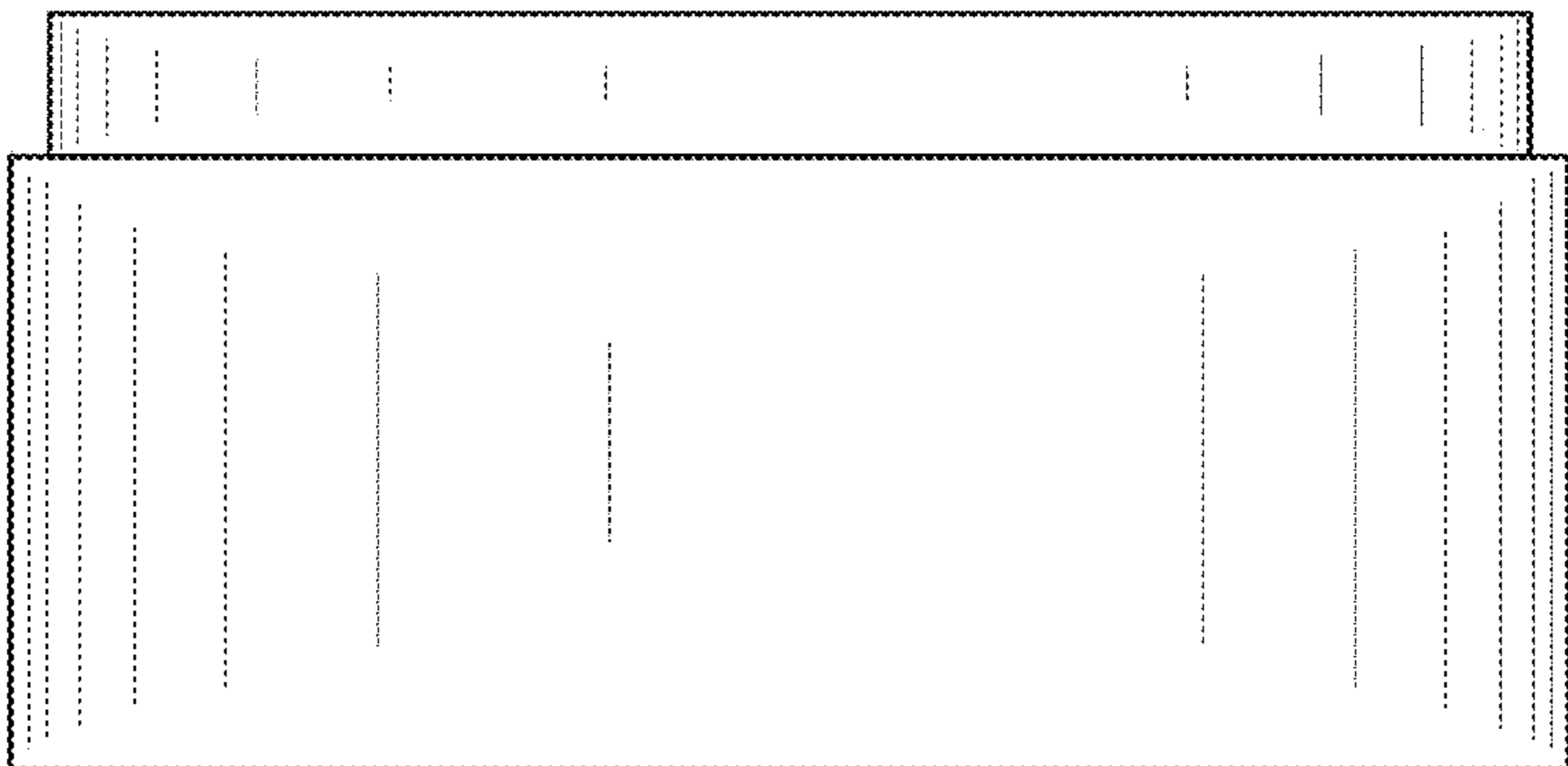


FIG. 5

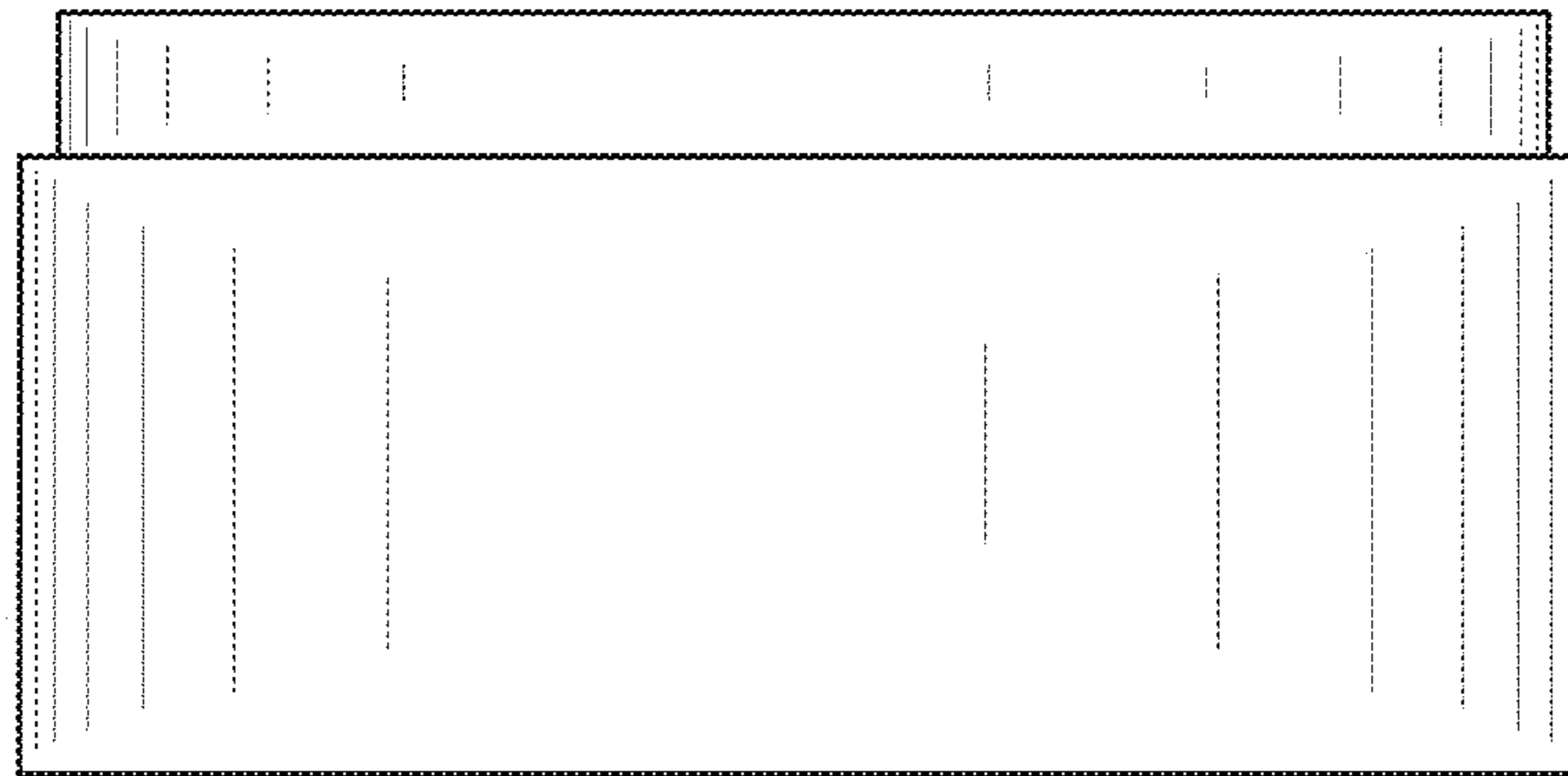


FIG. 6

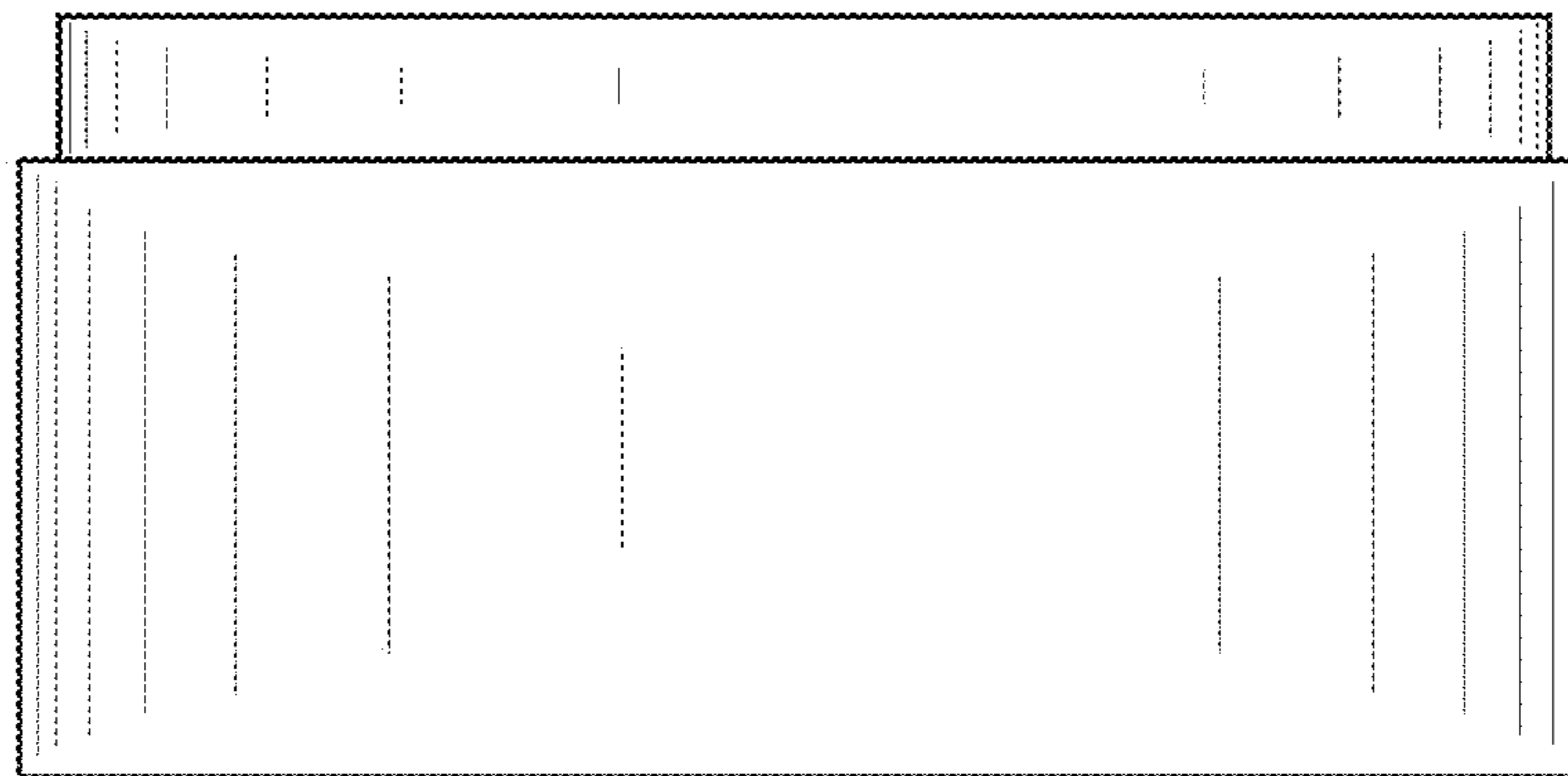


FIG. 7

