



US00D941129S

(12) **United States Design Patent**  
**Chen**

(10) **Patent No.:** **US D941,129 S**  
(45) **Date of Patent:** **\*\* Jan. 18, 2022**

- (54) **HOOK**
- (71) Applicant: **Mengnan Chen**, Fuding (CN)
- (72) Inventor: **Mengnan Chen**, Fuding (CN)
- (\*\*) Term: **15 Years**
- (21) Appl. No.: **29/773,449**
- (22) Filed: **Mar. 9, 2021**
- (51) **LOC (13) Cl.** ..... **08-05**
- (52) **U.S. Cl.**  
USPC ..... **D8/372; D8/367**
- (58) **Field of Classification Search**  
USPC ..... D8/349, 354, 367; D6/323  
CPC ..... A47G 25/1471; A47H 13/02  
See application file for complete search history.

|                |         |                     |                       |
|----------------|---------|---------------------|-----------------------|
| 7,748,673 B2 * | 7/2010  | Barrese .....       | A47H 13/02<br>248/215 |
| D631,332 S     | 1/2011  | Bauer et al.        |                       |
| D646,960 S *   | 10/2011 | Goodman .....       | D8/372                |
| D707,112 S     | 6/2014  | Schraufnagel et al. |                       |
| D742,727 S *   | 11/2015 | Martin .....        | D8/372                |
| D813,324 S *   | 3/2018  | Batten .....        | D21/694               |
| D816,354 S *   | 5/2018  | Richardson .....    | D6/323                |
| D819,431 S     | 6/2018  | Goodman et al.      |                       |
| D878,186 S *   | 3/2020  | Toye .....          | D8/370                |
| D913,778 S *   | 3/2021  | Huang .....         | D8/372                |

\* cited by examiner

*Primary Examiner* — Cynthia R Underwood

(57) **CLAIM**

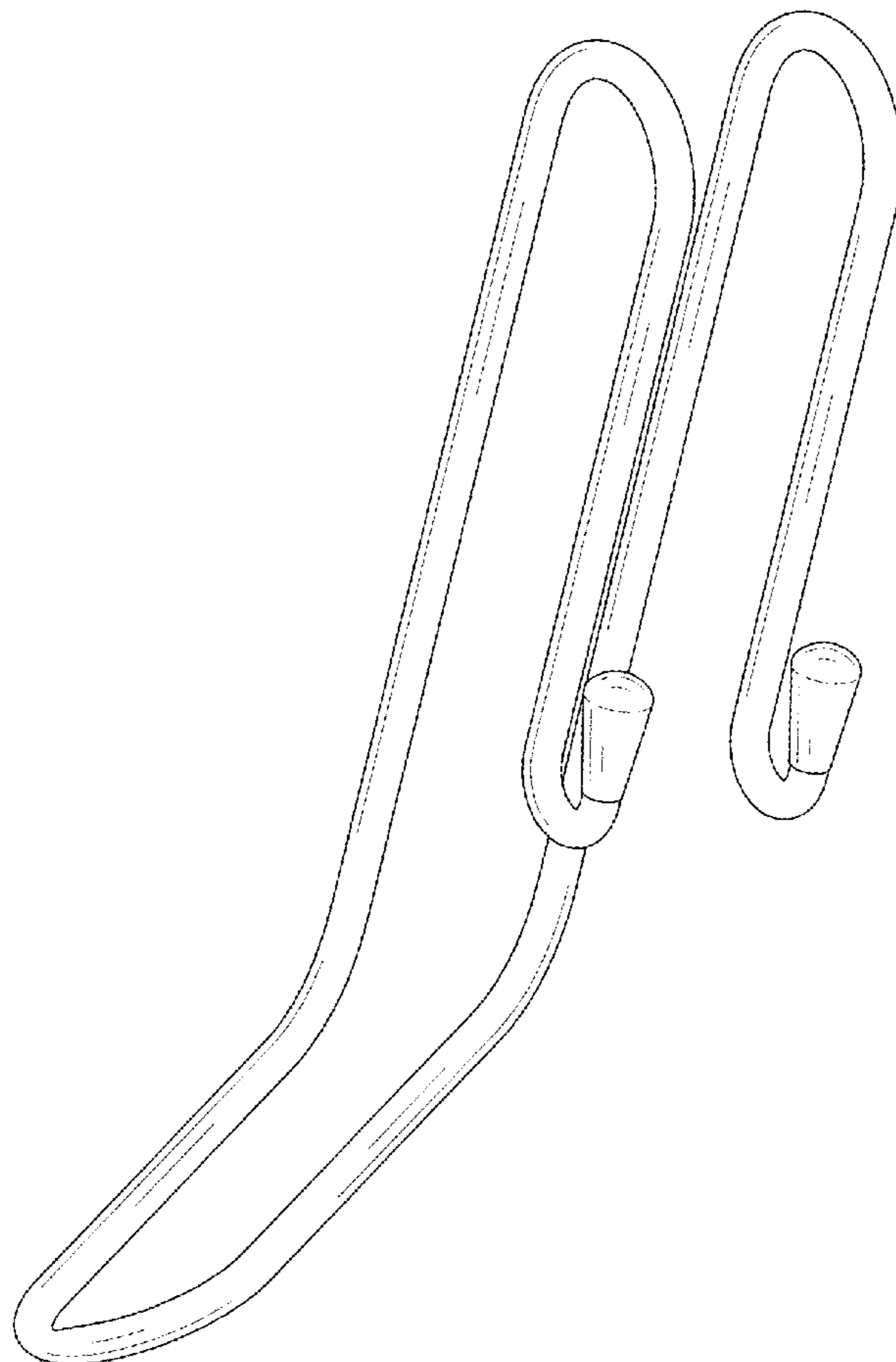
The ornamental design for a hook, as shown and described.

**DESCRIPTION**

FIG. 1 is a first perspective view of a hook showing my new design;  
 FIG. 2 is a second perspective view thereof;  
 FIG. 3 is a front view thereof;  
 FIG. 4 is a back view thereof;  
 FIG. 5 is a left side view thereof;  
 FIG. 6 is a right side view thereof;  
 FIG. 7 is a top view thereof; and,  
 FIG. 8 is a bottom view thereof.

**1 Claim, 8 Drawing Sheets**

- (56) **References Cited**  
U.S. PATENT DOCUMENTS
- |               |         |               |                         |
|---------------|---------|---------------|-------------------------|
| D255,646 S *  | 7/1980  | Fischer ..... | D8/370                  |
| 5,018,694 A * | 5/1991  | Olson .....   | A47G 25/1471<br>248/340 |
| D396,371 S *  | 7/1998  | Oliver .....  | D6/552                  |
| D422,199 S *  | 4/2000  | Snell .....   | D8/372                  |
| D432,316 S *  | 10/2000 | Duggan .....  | D6/317                  |
| D613,586 S *  | 4/2010  | Goodman ..... | D8/367                  |



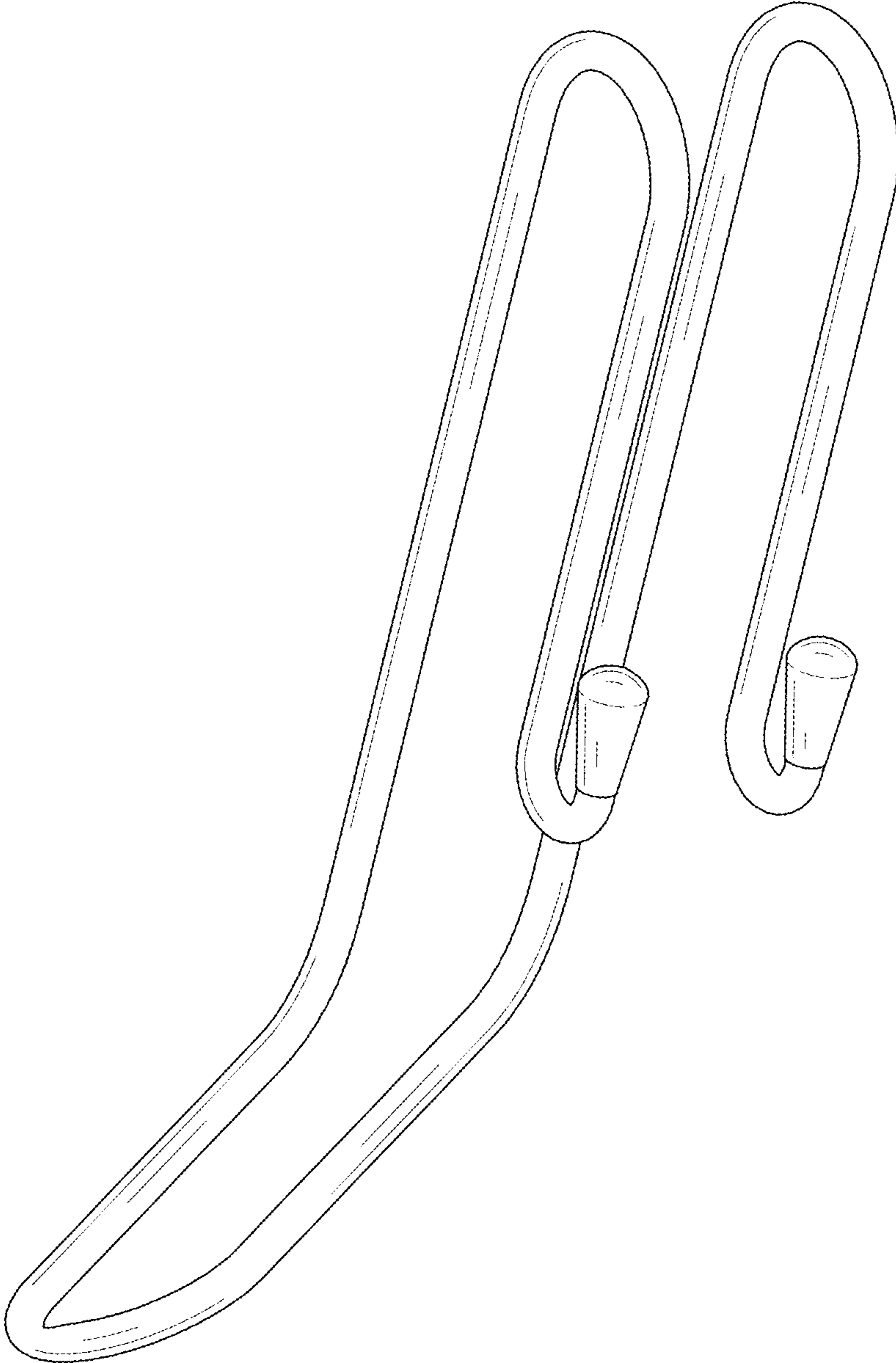


FIG. 1

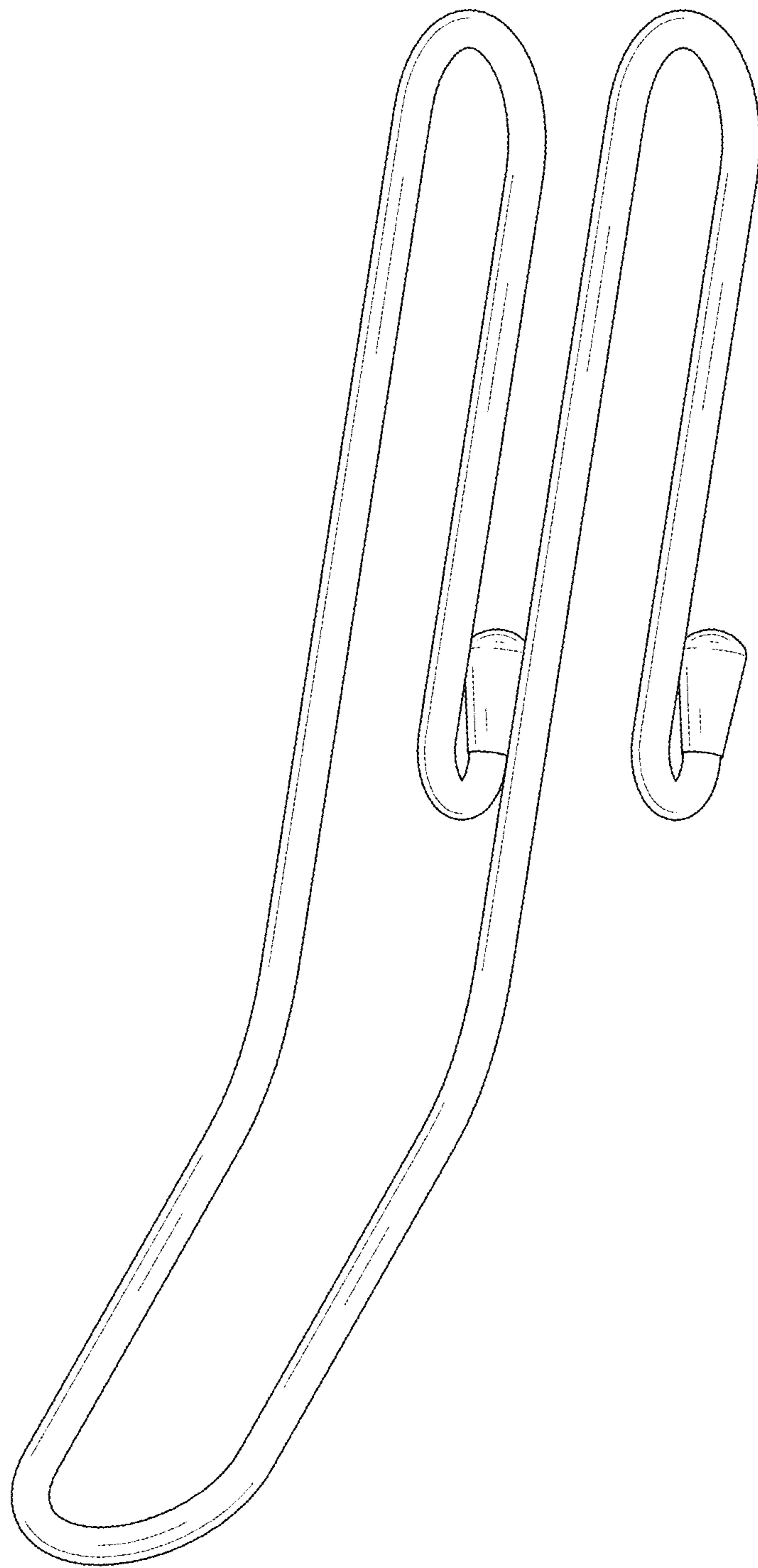


FIG. 2

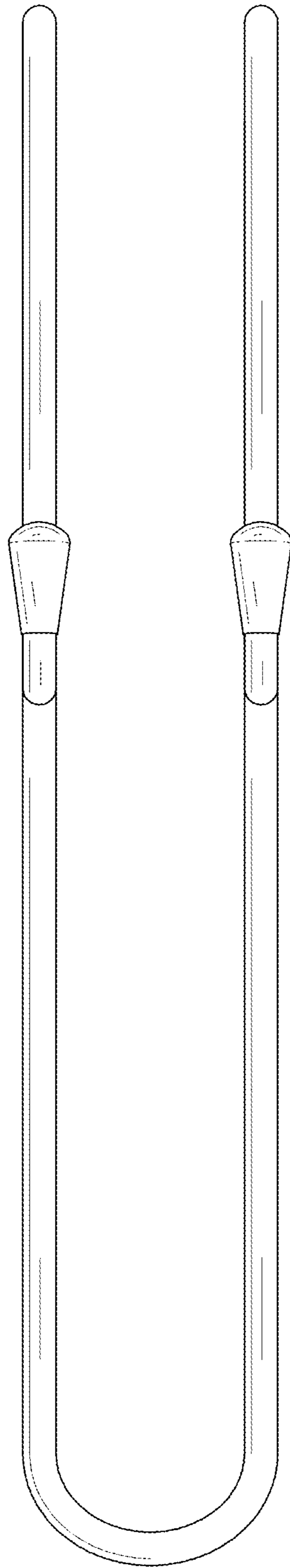


FIG. 3

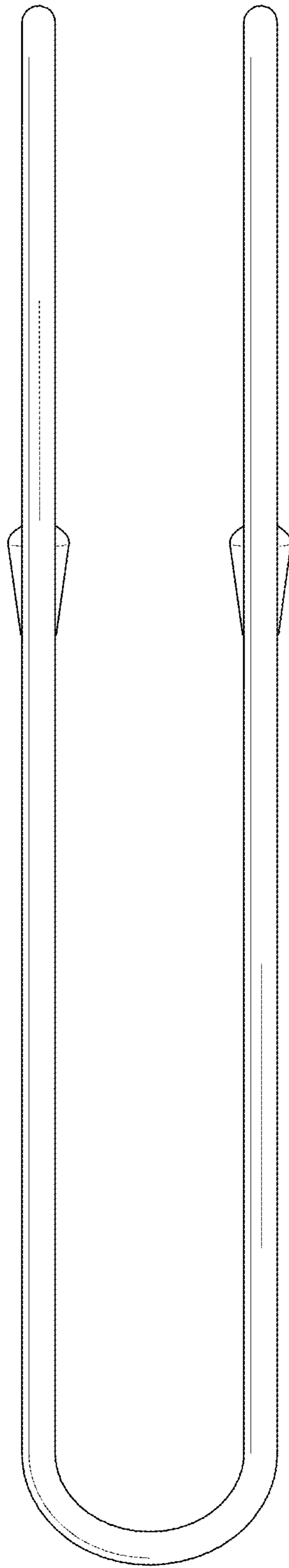


FIG. 4

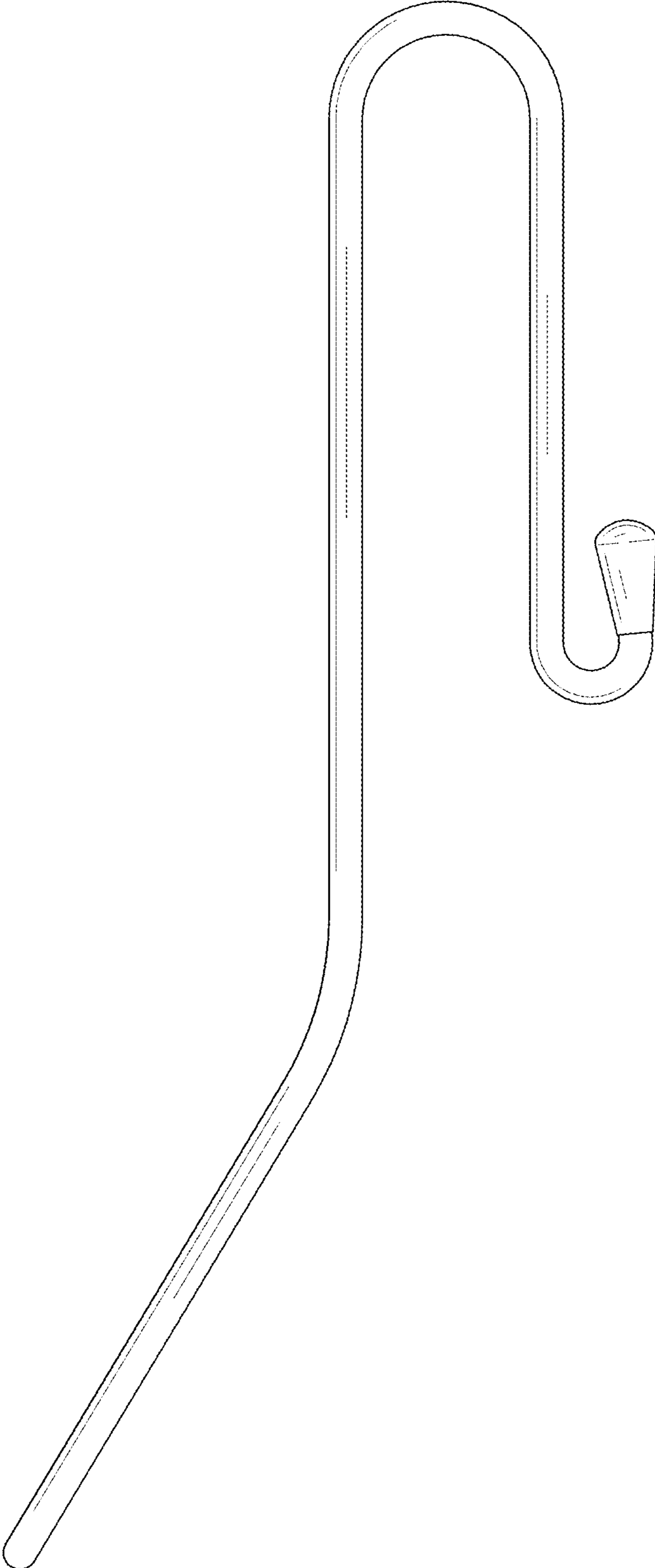


FIG. 5

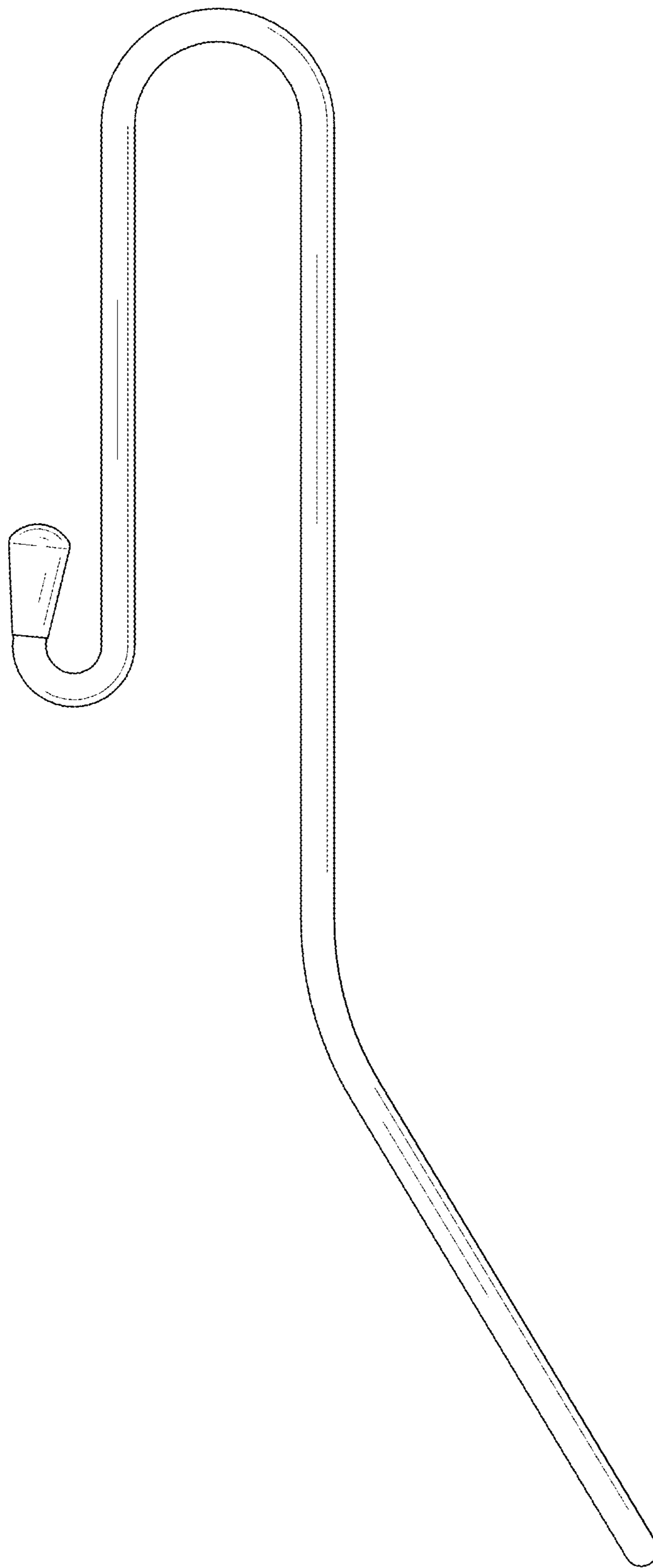


FIG. 6

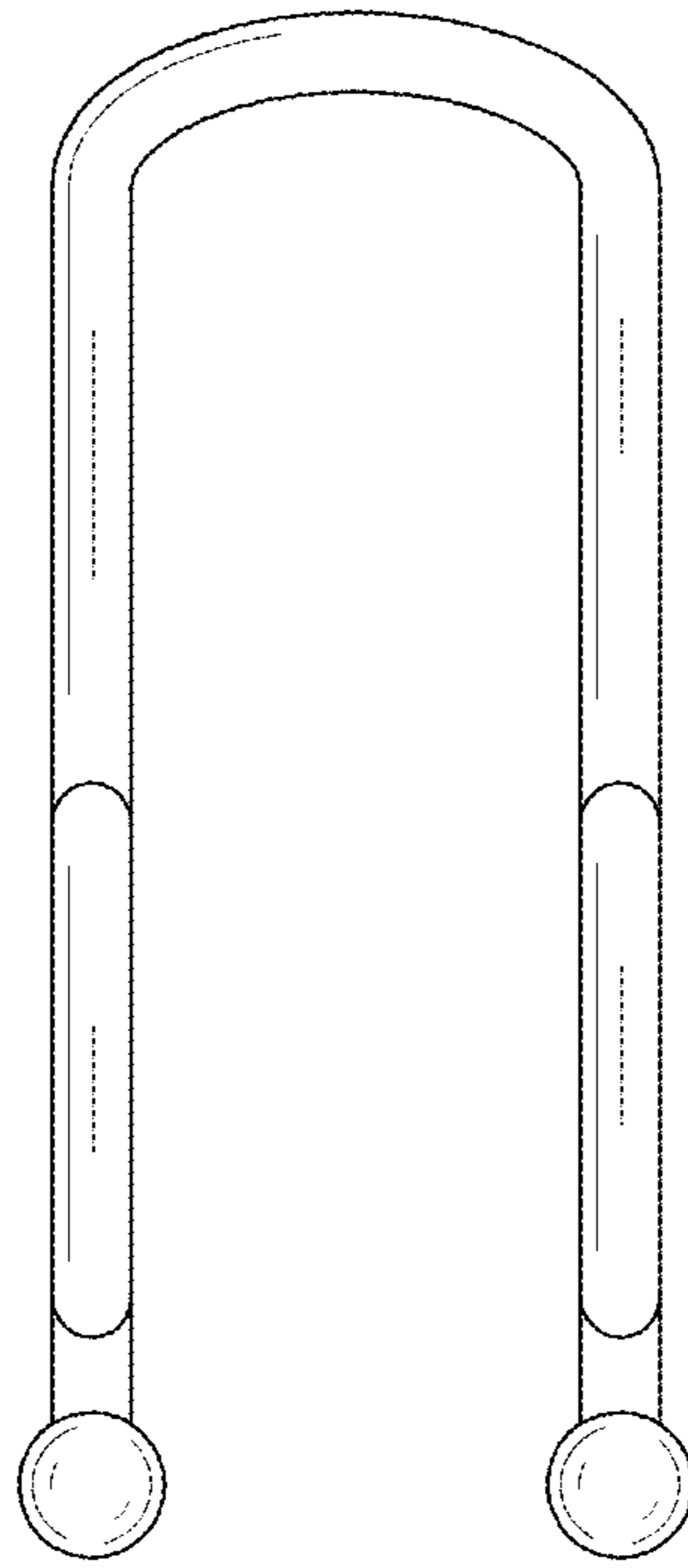


FIG. 7



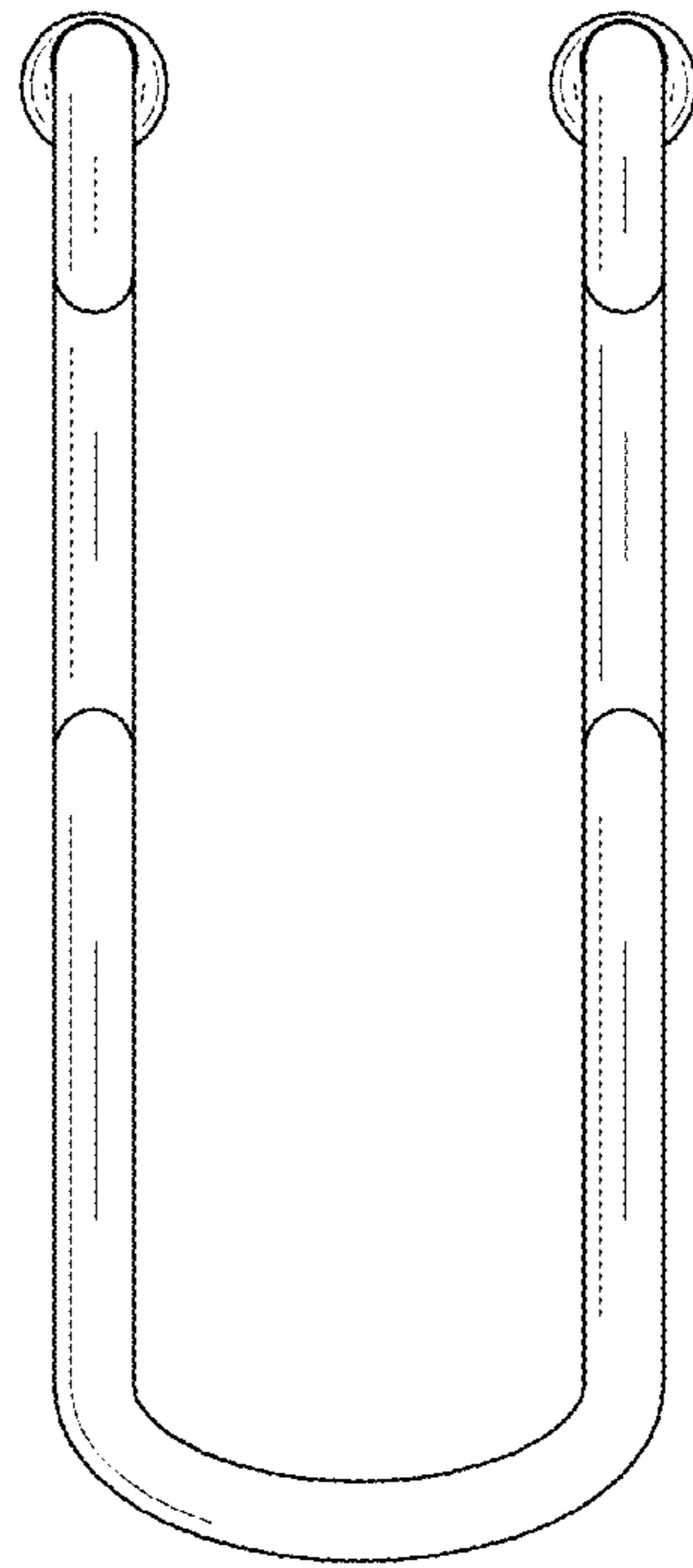


FIG. 8