



US00D941128S

(12) **United States Design Patent**
Chiang

(10) **Patent No.:** **US D941,128 S**

(45) **Date of Patent:** **** Jan. 18, 2022**

(54) **ARROW NECKLACE HANGING RACK**

D766,619 S * 9/2016 Chiang D6/569
D913,777 S * 3/2021 Liu D8/370

(71) Applicant: **MyGift Enterprise, LLC**, Woodinville, WA (US)

* cited by examiner

(72) Inventor: **Cliff Chiang**, Woodinville, WA (US)

Primary Examiner — Eliza Z Bennett-Hattan

(**) Term: **15 Years**

(74) *Attorney, Agent, or Firm* — Dean A Graine; Marisa C Whitaker

(21) Appl. No.: **29/663,952**

(57) **CLAIM**

(22) Filed: **Sep. 20, 2018**

The ornamental design for the arrow necklace hanging rack, as shown and described.

(51) **LOC (13) Cl.** **08-05**

(52) **U.S. Cl.**
USPC **D8/372**

(58) **Field of Classification Search**
USPC D8/354, 366, 371, 372, 367, 374, 373,
D8/376, 375, 16, 19, 45, 380, 381, 394,
D8/349

DESCRIPTION

CPC A47F 5/0807; A47F 7/02
See application file for complete search history.

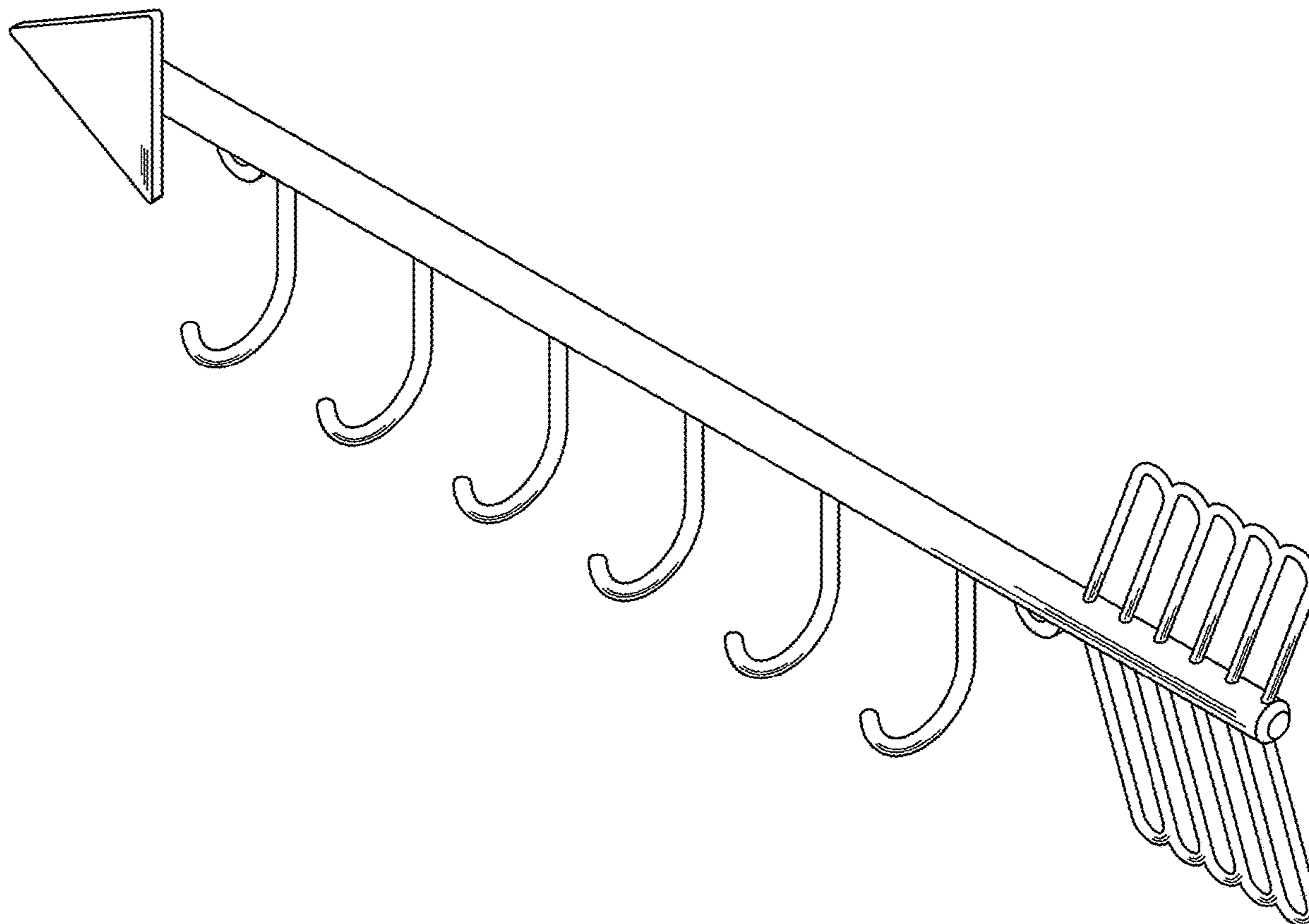
FIG. 1 is a top perspective view of an arrow necklace hanging rack showing my new design.
FIG. 2 is a front elevational view thereof.
FIG. 3 is a rear elevational thereof.
FIG. 4 is a top plan view thereof.
FIG. 5 is a bottom plan view thereof.
FIG. 6 is a left side elevational view thereof; and,
FIG. 7 is a right side elevational view thereof.

(56) **References Cited**

U.S. PATENT DOCUMENTS

D641,230 S * 7/2011 Goodman D8/367
D766,618 S * 9/2016 Chiang D6/569

1 Claim, 7 Drawing Sheets



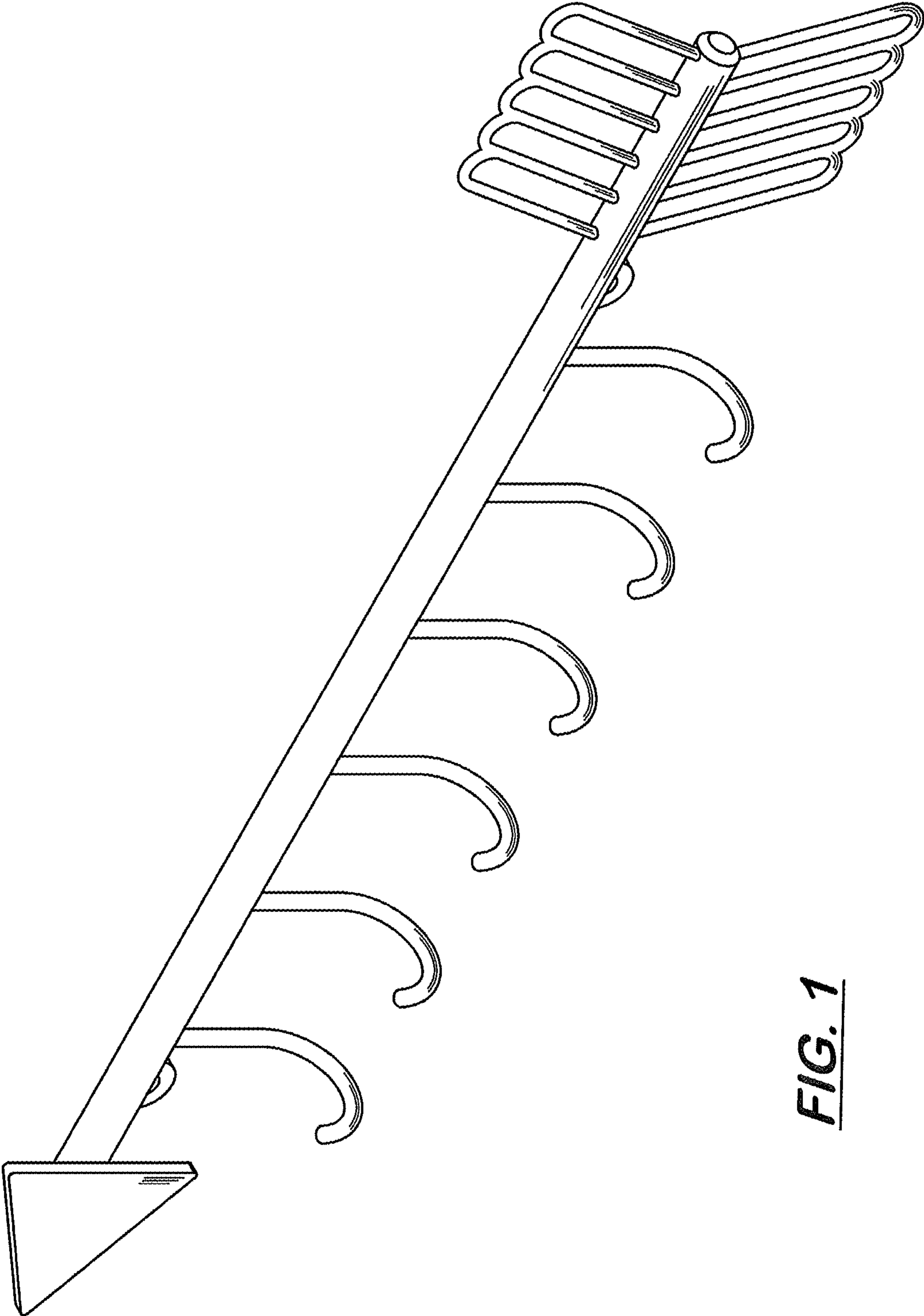


FIG. 1

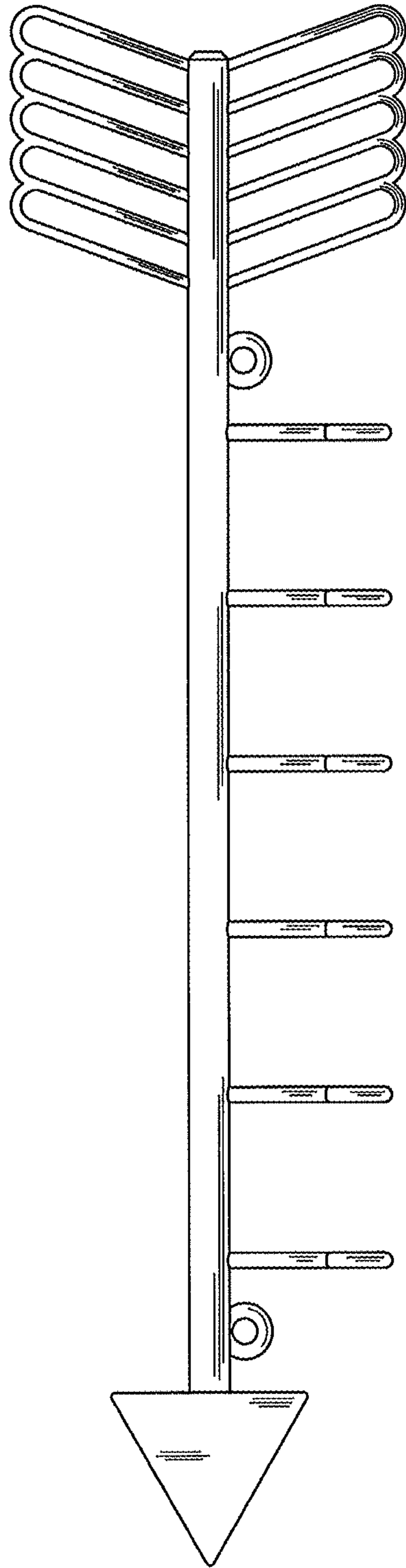


FIG. 2

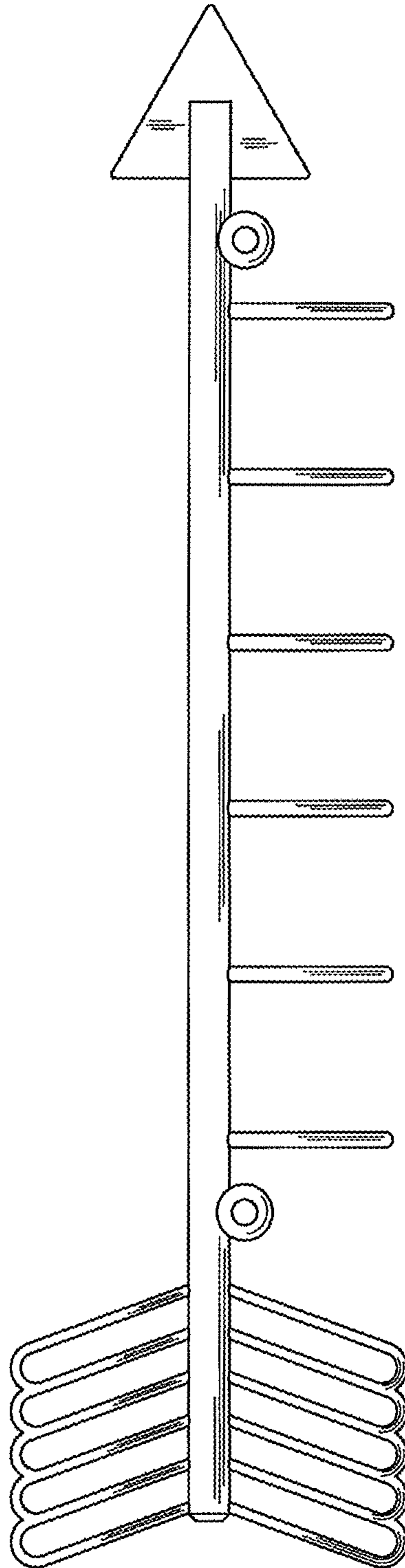


FIG. 3

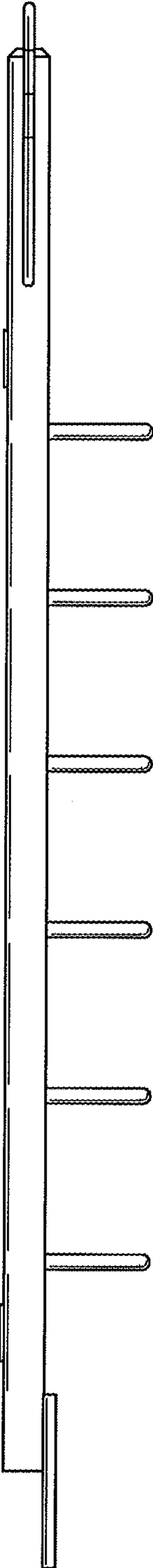


FIG. 4

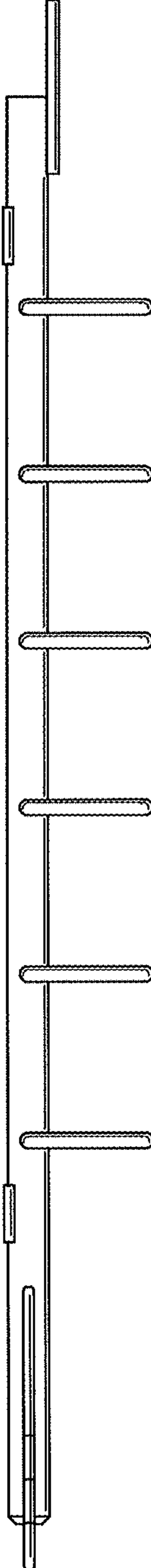


FIG. 5

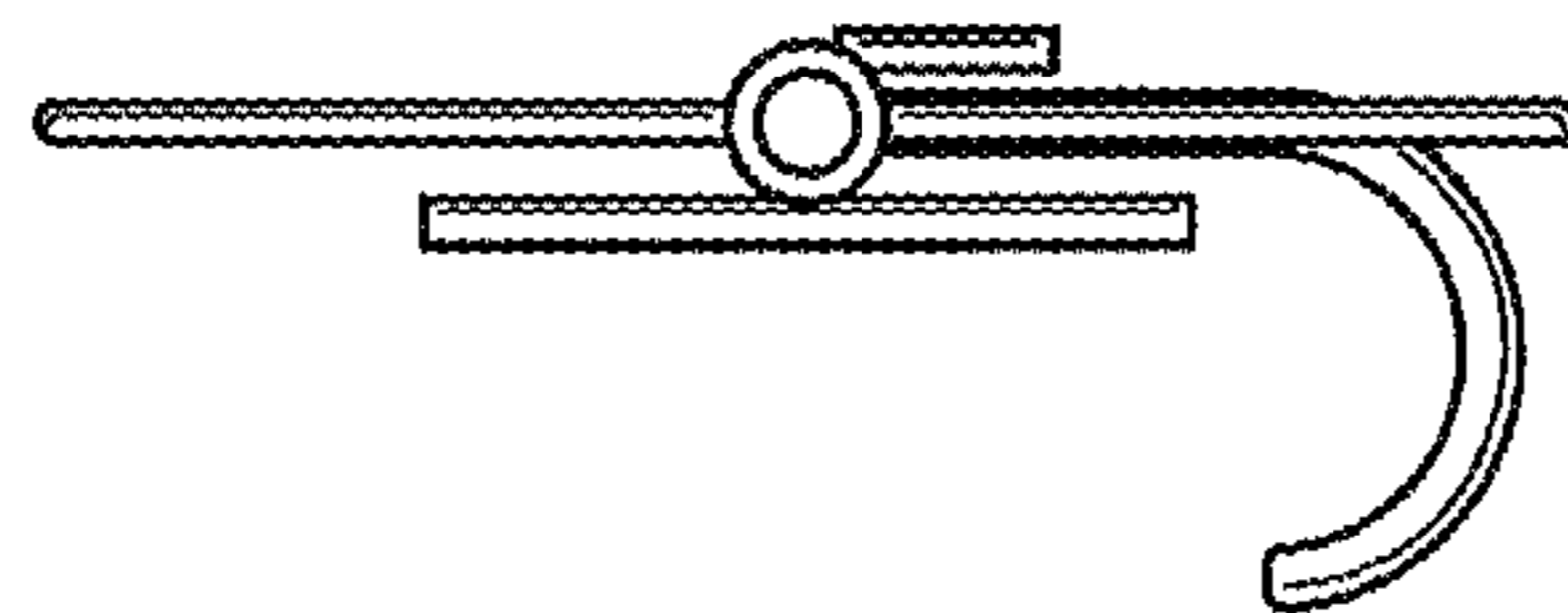


FIG. 6

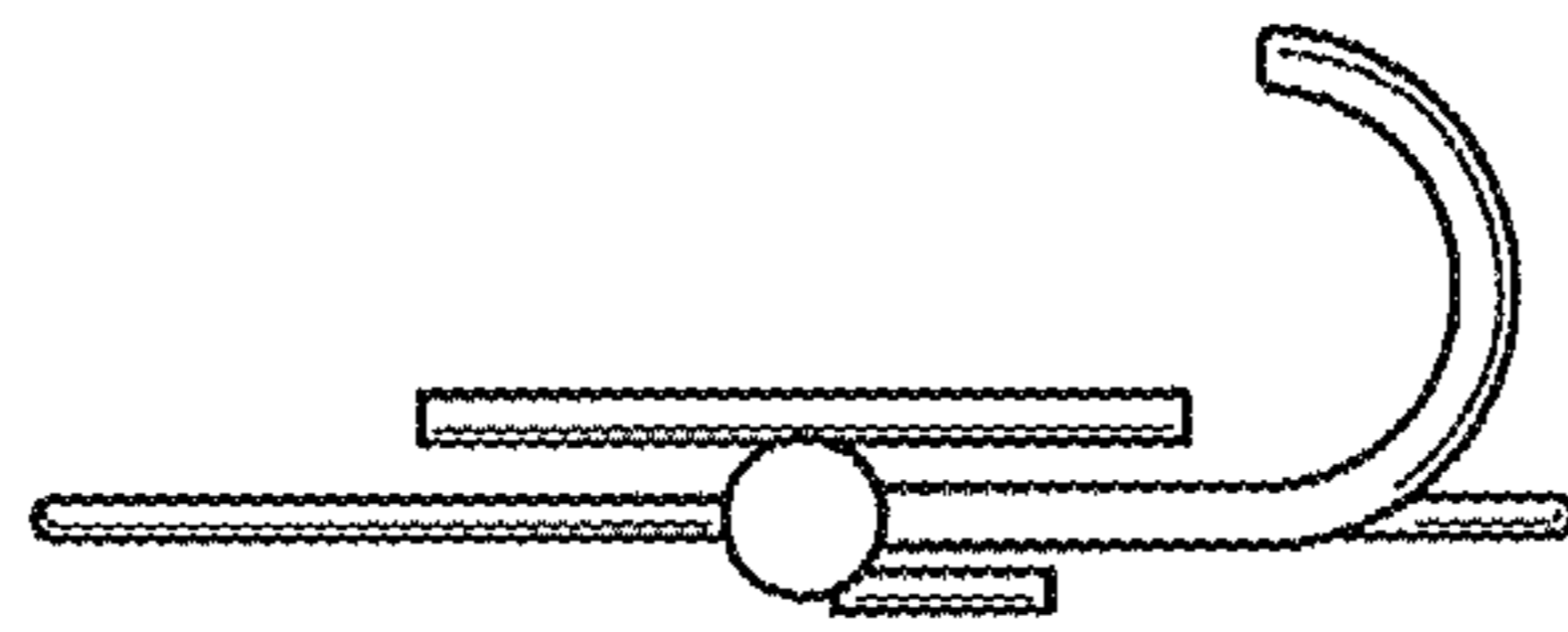


FIG. 7