



US00D941125S

(12) **United States Design Patent**  
**O'Brien et al.**

(10) **Patent No.:** **US D941,125 S**  
(45) **Date of Patent:** **\*\* Jan. 18, 2022**

(54) **CABLE LABEL**

(71) Applicant: **Cableflag Limited**, Dublin (IE)

(72) Inventors: **Stephen O'Brien**, Dublin (IE); **Tony Kelly**, Dublin (IE)

(73) Assignee: **CABLEFLAG LIMITED**, Bray (IE)

(\*\*) Term: **15 Years**

(21) Appl. No.: **29/727,665**

(22) Filed: **Mar. 12, 2020**

(51) **LOC (13) Cl.** ..... **09-06**

(52) **U.S. Cl.**  
USPC ..... **D8/356**

(58) **Field of Classification Search**  
USPC ..... D8/356, 354; D13/155  
CPC ..... B65H 57/16; B63B 21/045  
See application file for complete search history.

(56) **References Cited**

U.S. PATENT DOCUMENTS

D29,156 S *	8/1898	Caldwell	.....	D12/223
D275,036 S *	8/1984	Lloyd-Jones	.....	D25/119
D275,324 S *	8/1984	Wahlin	.....	D25/124
D295,521 S *	5/1988	Mockett	.....	D13/155
D322,389 S *	12/1991	Harmon	.....	D8/380
5,154,648 A *	10/1992	Buckshaw	.....	F22B 37/107
				122/DIG. 13
D331,916 S *	12/1992	DuBrucq	.....	D13/155
5,884,695 A *	3/1999	Brownlee	.....	F28F 19/00
				165/134.1
D430,005 S *	8/2000	Stearns	.....	D8/380
D436,399 S *	1/2001	Poland	.....	D23/322
D450,564 S *	11/2001	Kane	.....	D8/356
D539,752 S *	4/2007	Ruddick	.....	D13/155
D631,445 S *	1/2011	Dittmer	.....	D13/155
D637,477 S *	5/2011	Wall	.....	D8/382
D696,205 S *	12/2013	Woodlief	.....	D13/155
D713,947 S *	9/2014	Jensen	.....	D23/366

D720,702 S *	1/2015	Baldwin	.....	D13/155
D805,822 S *	12/2017	Baldoni	.....	D6/707.24
9,869,368 B2 *	1/2018	Disantis	.....	F16G 11/146
D835,497 S *	12/2018	Rindy	.....	D8/356
D856,119 S *	8/2019	McGugan	.....	D8/356
D890,085 S *	7/2020	Baird	.....	D13/102
D892,214 S *	8/2020	Jordan	.....	D19/81
10,844,978 B2 *	11/2020	Meyer	.....	F16L 3/24
D903,479 S *	12/2020	Schick	.....	D8/397
D903,480 S *	12/2020	Schick	.....	D8/397
D916,138 S *	4/2021	Canik	.....	D15/5
D916,322 S *	4/2021	Miller	.....	D25/61
10,994,671 B2 *	5/2021	Astrike	.....	H02G 3/0406
D925,339 S *	7/2021	Leonard	.....	D8/356

(Continued)

*Primary Examiner* — Cynthia R Underwood

(74) *Attorney, Agent, or Firm* — Burns & Levinson LLP;  
Jerry Cohen; Marlo Schepper Grolnic

(57) **CLAIM**

The ornamental design for a cable label, as shown and described.

**DESCRIPTION**

FIG. 1 is a top/front/left side perspective view of a cable label of our design in a closed state;

FIG. 2 is a top view of the cable label of FIG. 1 in a closed state;

FIG. 3 is a left side view of the cable label of FIG. 1 in a closed state, the right side view being a mirror image thereof;

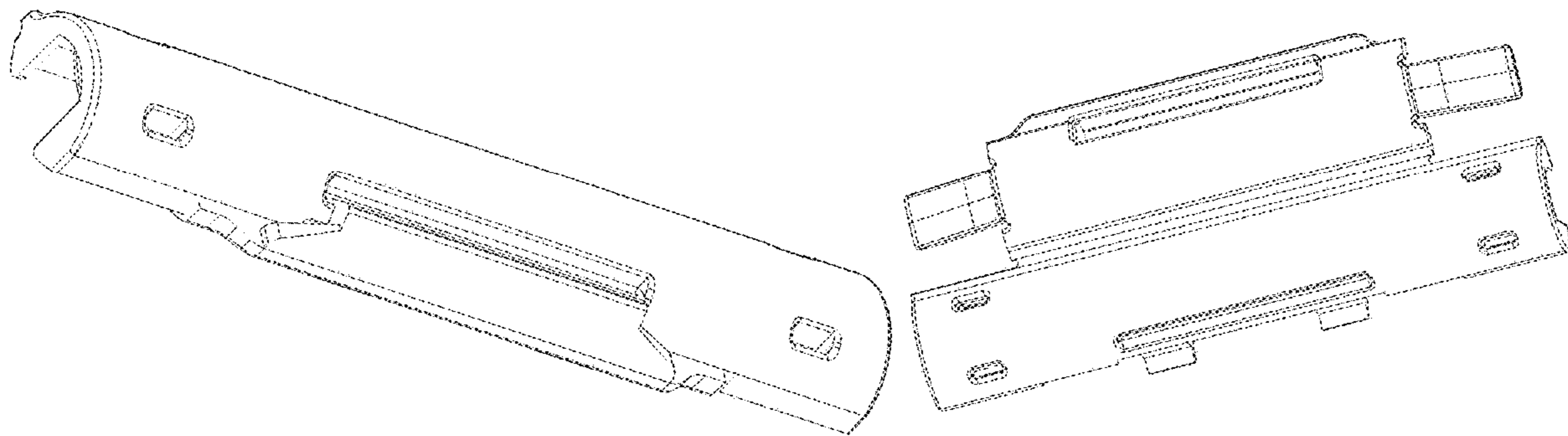
FIG. 4 is a top/left side perspective view of the cable label of FIG. 1 in a closed state;

FIG. 5 is a bottom view of the cable label of FIG. 1 in a closed state;

FIG. 6 is a top/right side perspective view of the cable label of FIG. 1 in an open state; and,

FIG. 7 is top/front/left side perspective view of the cable label of FIG. 1 in an open state.

**1 Claim, 7 Drawing Sheets**



(56)

**References Cited**

U.S. PATENT DOCUMENTS

D926,022 S *	7/2021	Luhrmann .....	D8/356
D927,292 S *	8/2021	Zussman .....	D8/381
2008/0054143 A1 *	3/2008	Collins .....	F16L 3/26 248/227.2

\* cited by examiner

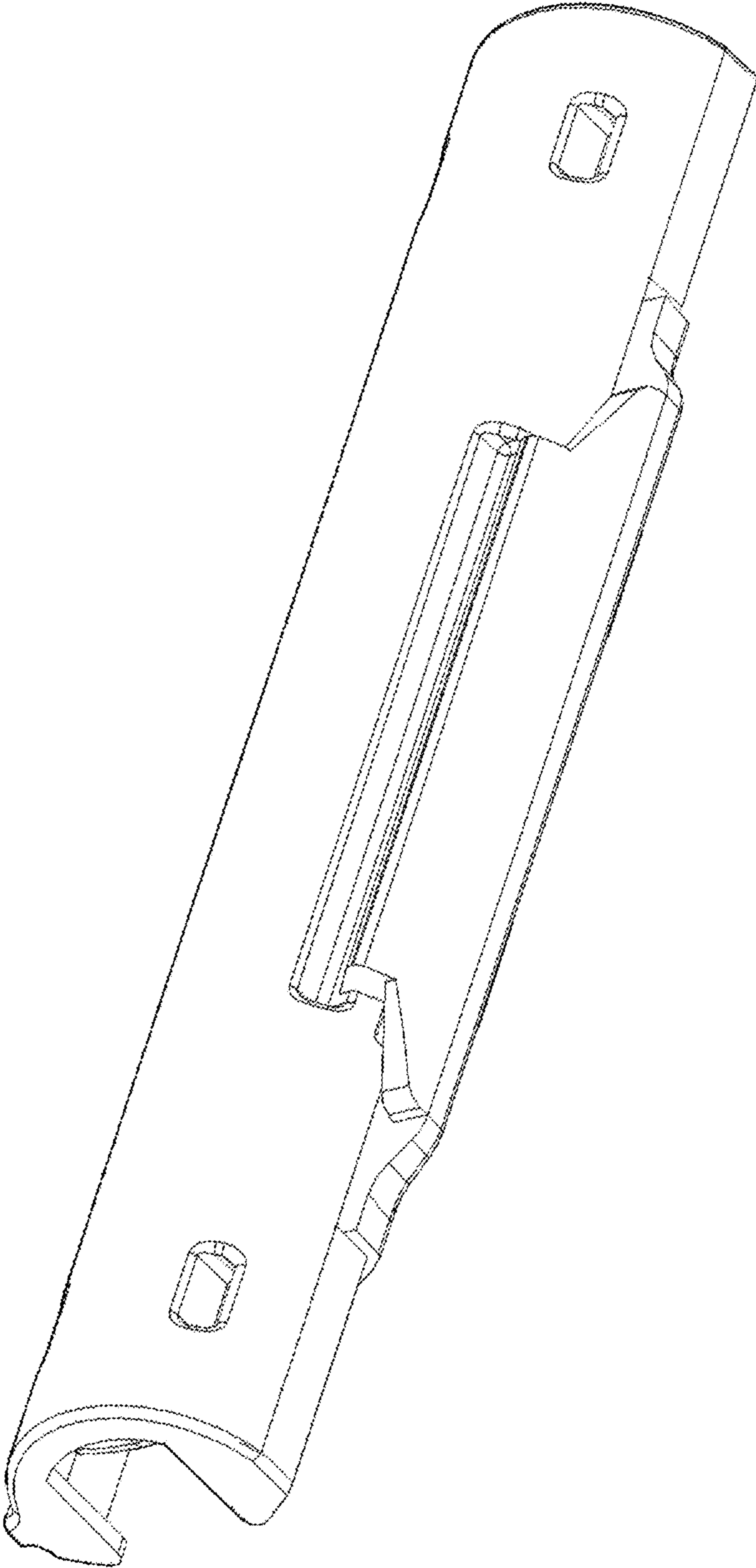


FIG. 1

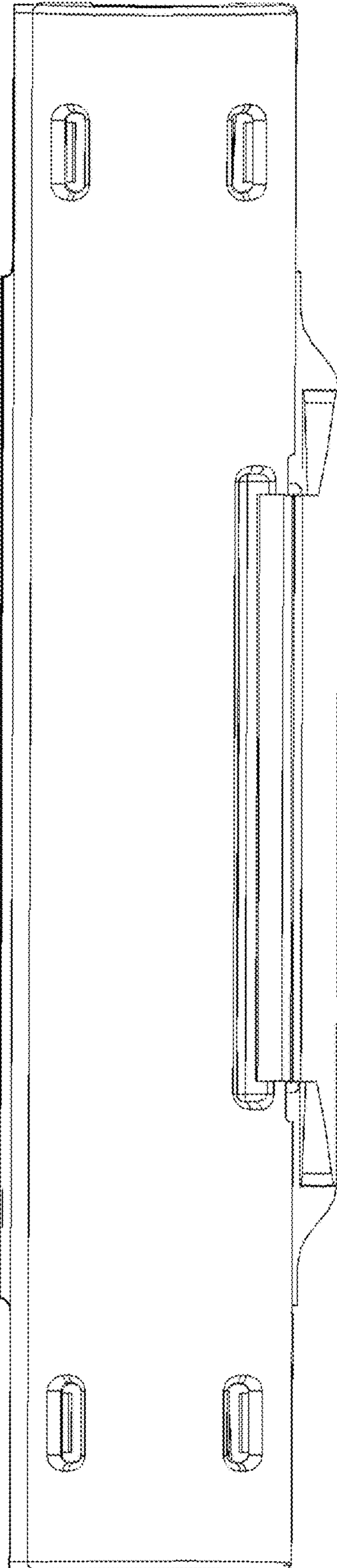


FIG. 2

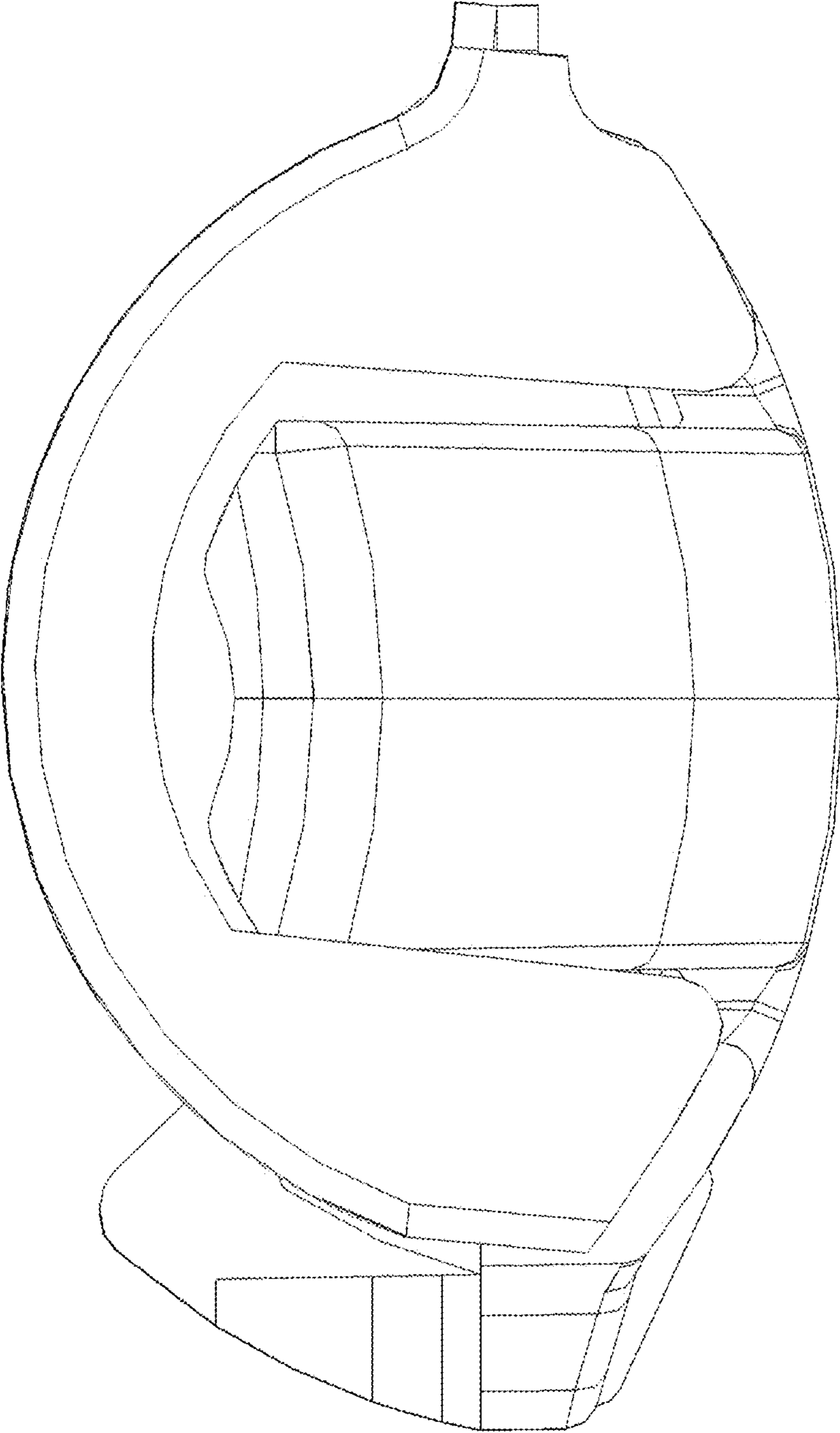


FIG. 3



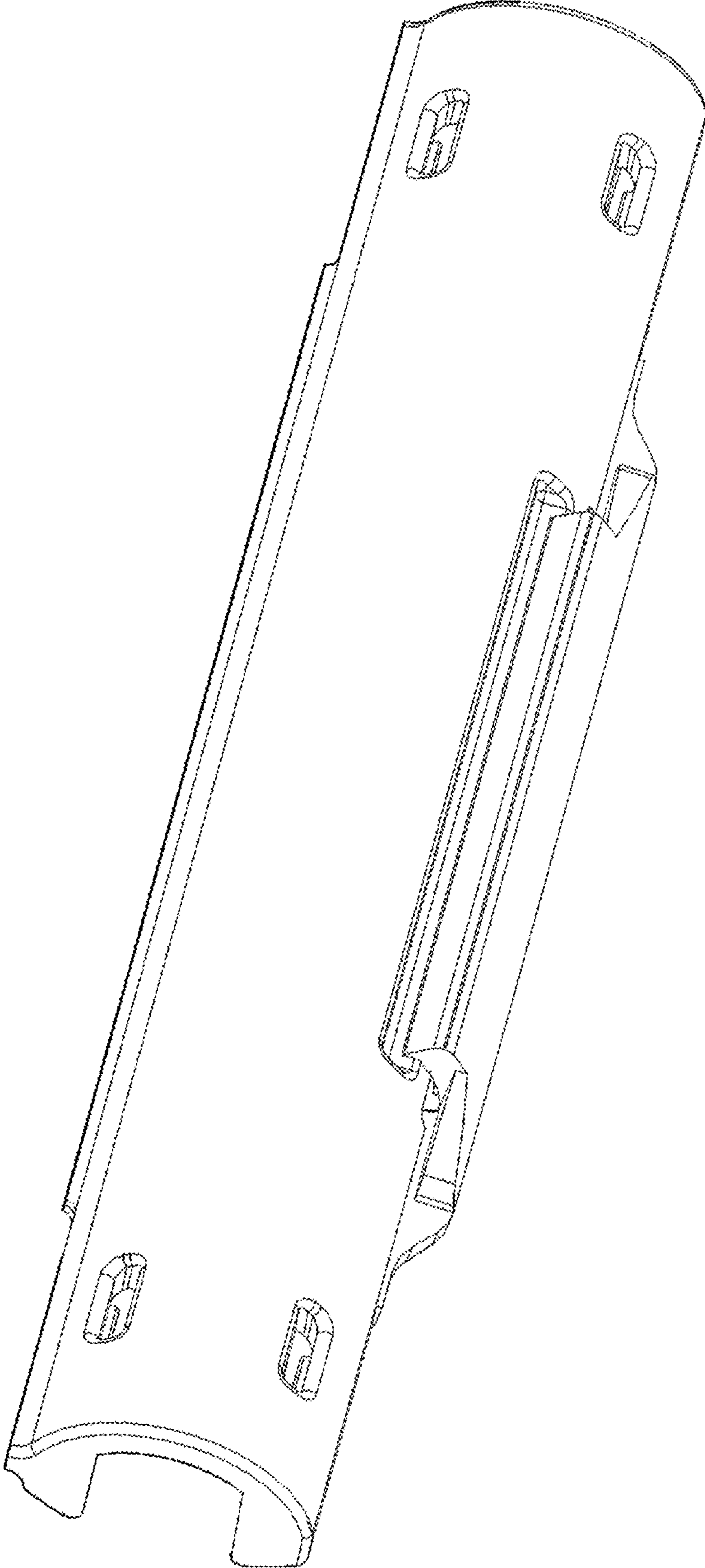


FIG. 4

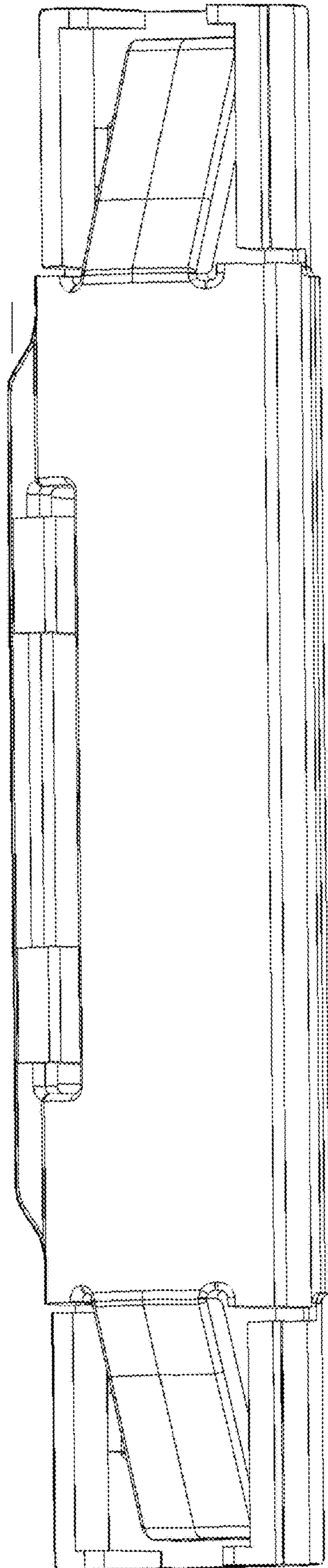


FIG. 5

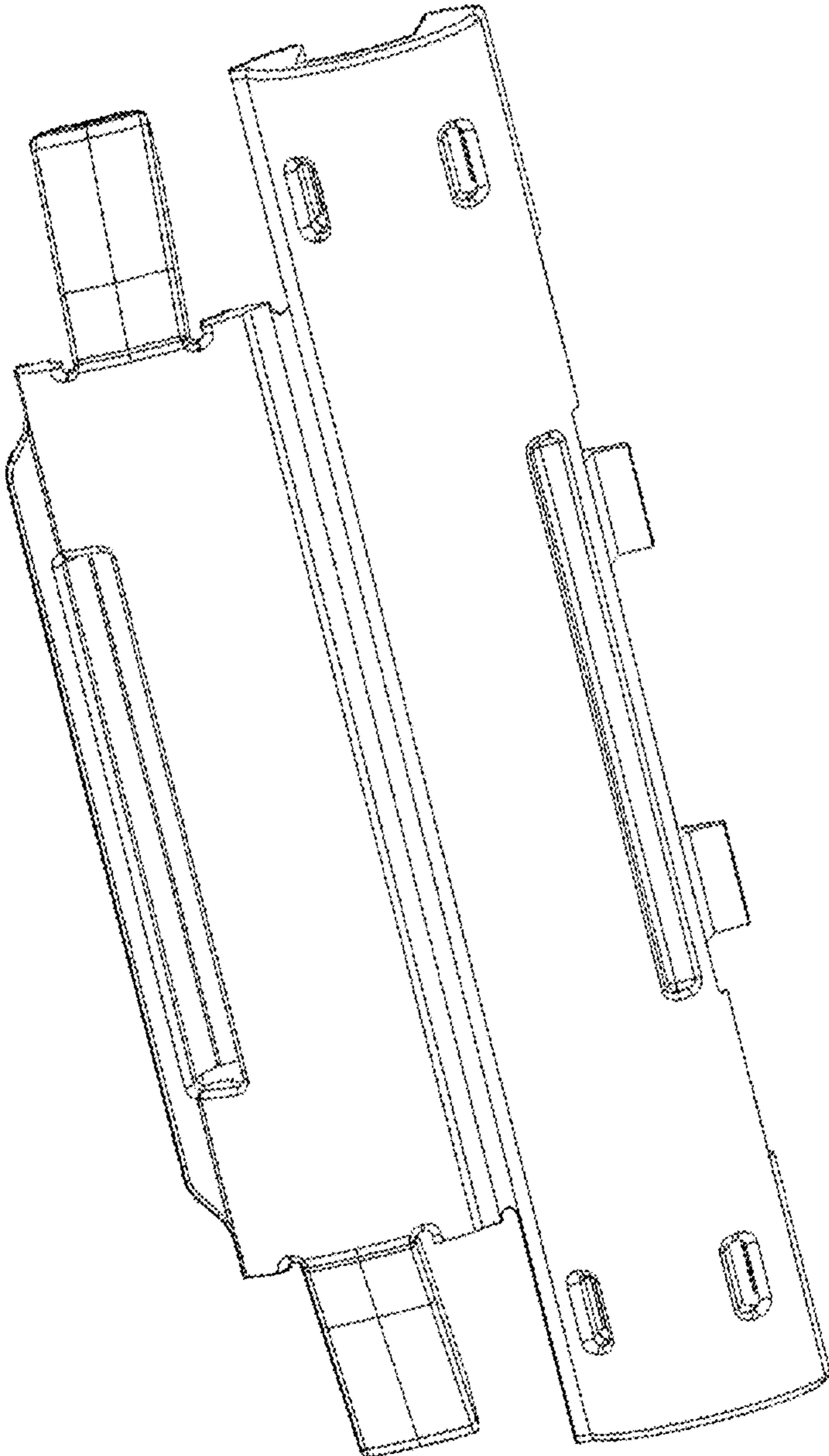


FIG. 6



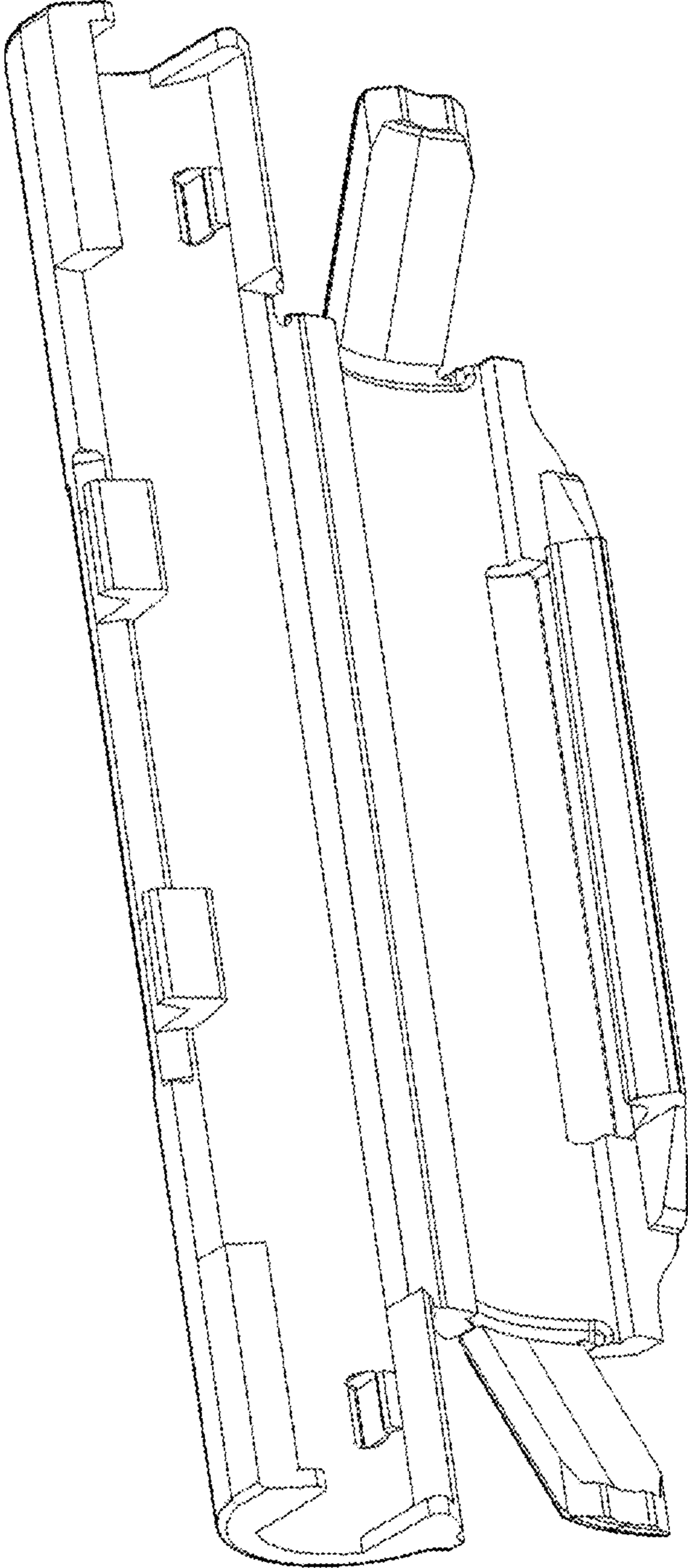


FIG. 7