

US00D941123S

(12) **United States Design Patent** (10) **Patent No.:** **US D941,123 S**  
**Ruddick et al.** (45) **Date of Patent:** **\*\* Jan. 18, 2022**

(54) **CABLE HOLDER**

(71) Applicant: **D-Line (Europe) Limited**, North Shields (GB)

(72) Inventors: **Paul David Ruddick**, North Shields (GB); **Stephen Bianchi**, North Shields (GB)

(73) Assignee: **D-LINE (EUROPE) LIMITED**, North Shields (GB)

(\*\*) Term: **15 Years**

(21) Appl. No.: **29/714,222**

(22) Filed: **Nov. 21, 2019**

(30) **Foreign Application Priority Data**

May 21, 2019 (EP) ..... 006492716-0001  
May 21, 2019 (EP) ..... 006492716-0002

(51) **LOC (13) Cl.** ..... **09-06**

(52) **U.S. Cl.**  
USPC ..... **D8/356**

(58) **Field of Classification Search**  
USPC ..... D8/356, 354; D13/155  
CPC ..... B65H 57/16; B63B 21/045  
See application file for complete search history.

(56) **References Cited**

**U.S. PATENT DOCUMENTS**

D29,156 S \* 8/1898 Caldwell ..... D12/223  
D275,036 S \* 8/1984 Lloyd-Jones ..... D25/119  
D275,324 S \* 8/1984 Wahlin ..... D25/124  
D295,521 S \* 5/1988 Mockett ..... D13/155  
D322,389 S \* 12/1991 Harmon ..... D8/380  
5,154,648 A \* 10/1992 Buckshaw ..... F22B 37/107  
122/DIG. 13  
D331,916 S \* 12/1992 DuBrucq ..... D13/155  
5,884,695 A \* 3/1999 Brownlee ..... F28F 19/00  
165/134.1

D430,005 S \* 8/2000 Stearns ..... D8/380  
D436,399 S \* 1/2001 Poland ..... D23/322  
D450,564 S \* 11/2001 Kane ..... D8/356  
D539,752 S \* 4/2007 Ruddick ..... D13/155  
D631,445 S \* 1/2011 Dittmer ..... D13/155  
D637,477 S \* 5/2011 Wall ..... D8/382  
D696,205 S \* 12/2013 Woodlief ..... D13/155

(Continued)

*Primary Examiner* — Cynthia R Underwood

(74) *Attorney, Agent, or Firm* — Alleman Hall Creasman & Tuttle LLP

(57) **CLAIM**

The ornamental design for a cable holder, as shown and described.

**DESCRIPTION**

FIG. 1 is an isometric view of an ornamental design for a cable holder.

FIG. 2 is another isometric view of the cable holder of FIG. 1.

FIG. 3 is a left side view of the cable holder of FIG. 1.

FIG. 4 is a right side view of the cable holder of FIG. 1.

FIG. 5 is a back view of the cable holder of FIG. 1.

FIG. 6 is a front view of the cable holder of FIG. 1.

FIG. 7 is a top view of the cable holder of FIG. 1; and,

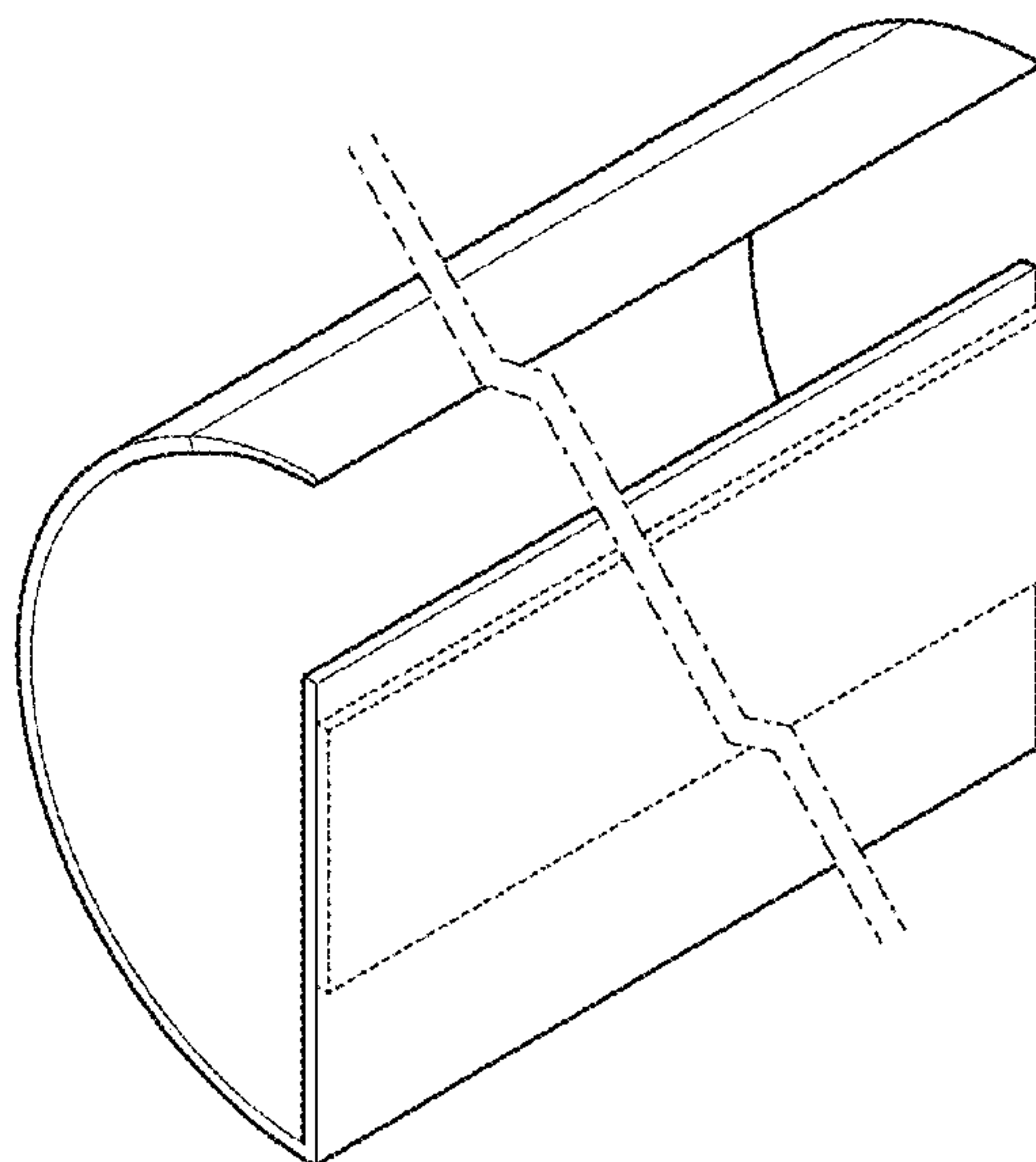
FIG. 8 is a bottom view of the cable holder of FIG. 1.

FIGS. 1-8 depict an ornamental design for a cable holder. The cable holder may be used to secure, organize and hide cables, for example by retaining and concealing them adjacent to a wall or other structure.

The article is shown with a symbolic break in its length. The appearance of any portion of the article beyond the break lines forms no part of the claimed design. The break lines form no part of the claim.

The dashed lines in FIGS. 1-5 and 7-8 depict a feature associated with use of the cable holder in an operational environment. The dashed lines form no part of the claimed design.

**1 Claim, 8 Drawing Sheets**



(56)

**References Cited**

U.S. PATENT DOCUMENTS

D713,947	S *	9/2014	Jensen	.....	D23/366
D720,702	S *	1/2015	Baldwin	.....	D13/155
D805,822	S *	12/2017	Baldoni	.....	D6/707.24
9,869,368	B2 *	1/2018	Disantis	.....	F16G 11/146
D835,497	S *	12/2018	Rindy	.....	D8/356
D856,119	S *	8/2019	McGugan	.....	D8/356
D890,085	S *	7/2020	Baird	.....	D13/102
D892,214	S *	8/2020	Jordan	.....	D19/81
10,844,978	B2 *	11/2020	Meyer	.....	F16L 3/24
D903,479	S *	12/2020	Schick	.....	D8/397
D903,480	S *	12/2020	Schick	.....	D8/397
D916,138	S *	4/2021	Canik	.....	D15/5
D916,322	S *	4/2021	Miller	.....	D25/61
10,994,671	B2 *	5/2021	Astrike	.....	H02G 3/0406
D925,339	S *	7/2021	Leonard	.....	D8/356
D926,022	S *	7/2021	Luhrmann	.....	D8/356
D927,292	S *	8/2021	Zussman	.....	D8/381
2008/0054143	A1 *	3/2008	Collins	.....	F16L 3/26
					248/227.2

\* cited by examiner

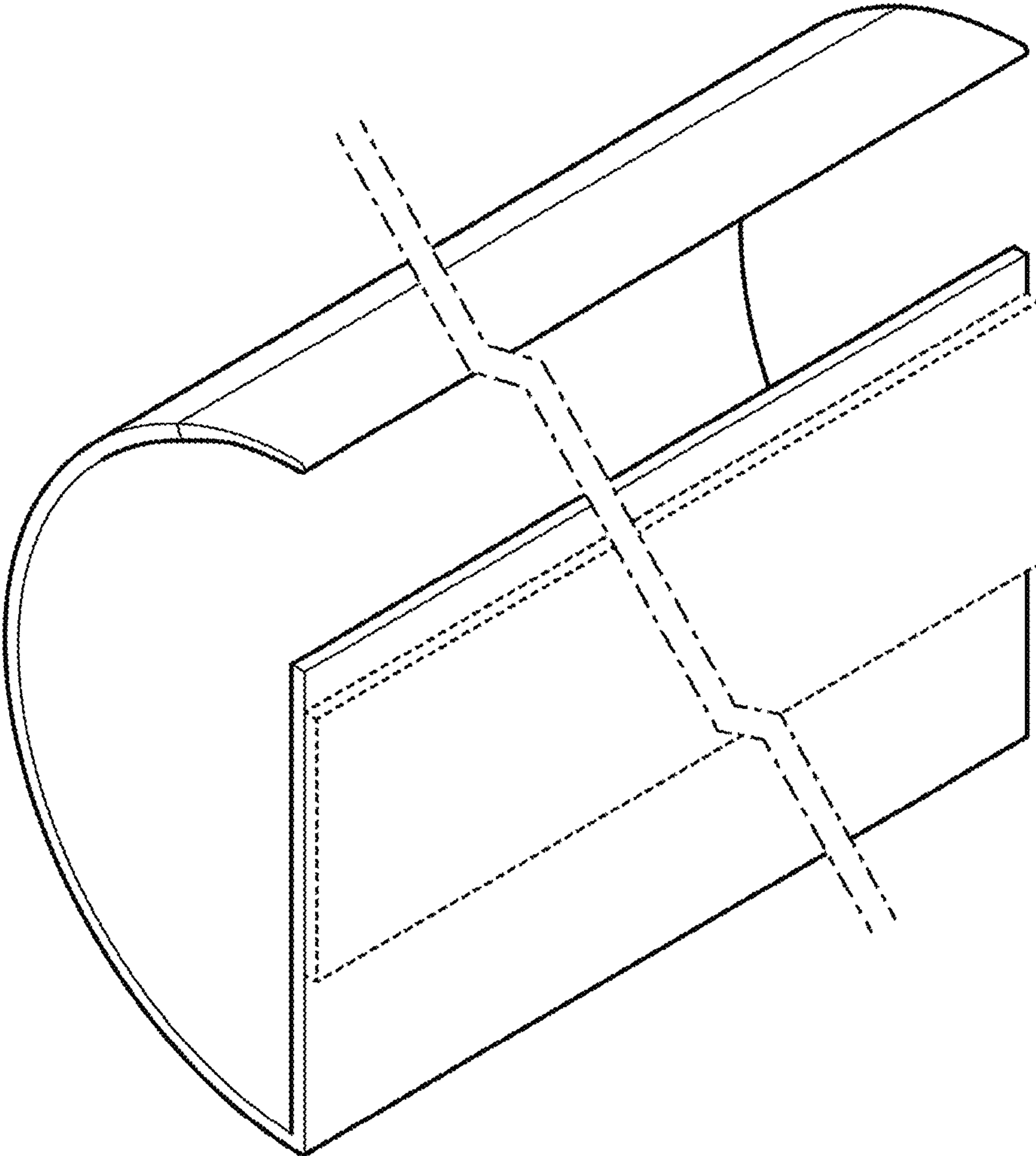


FIG. 1

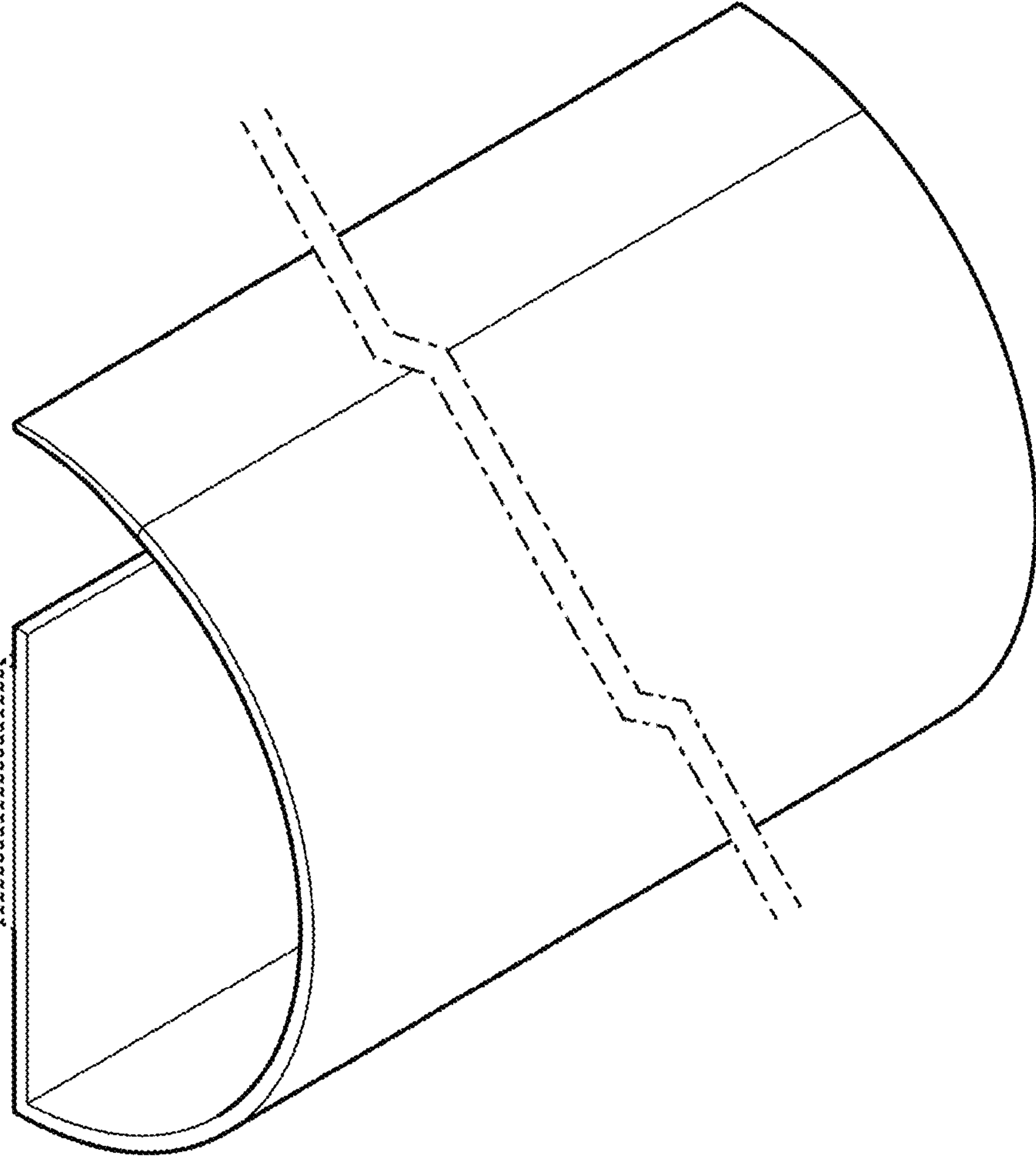


FIG. 2

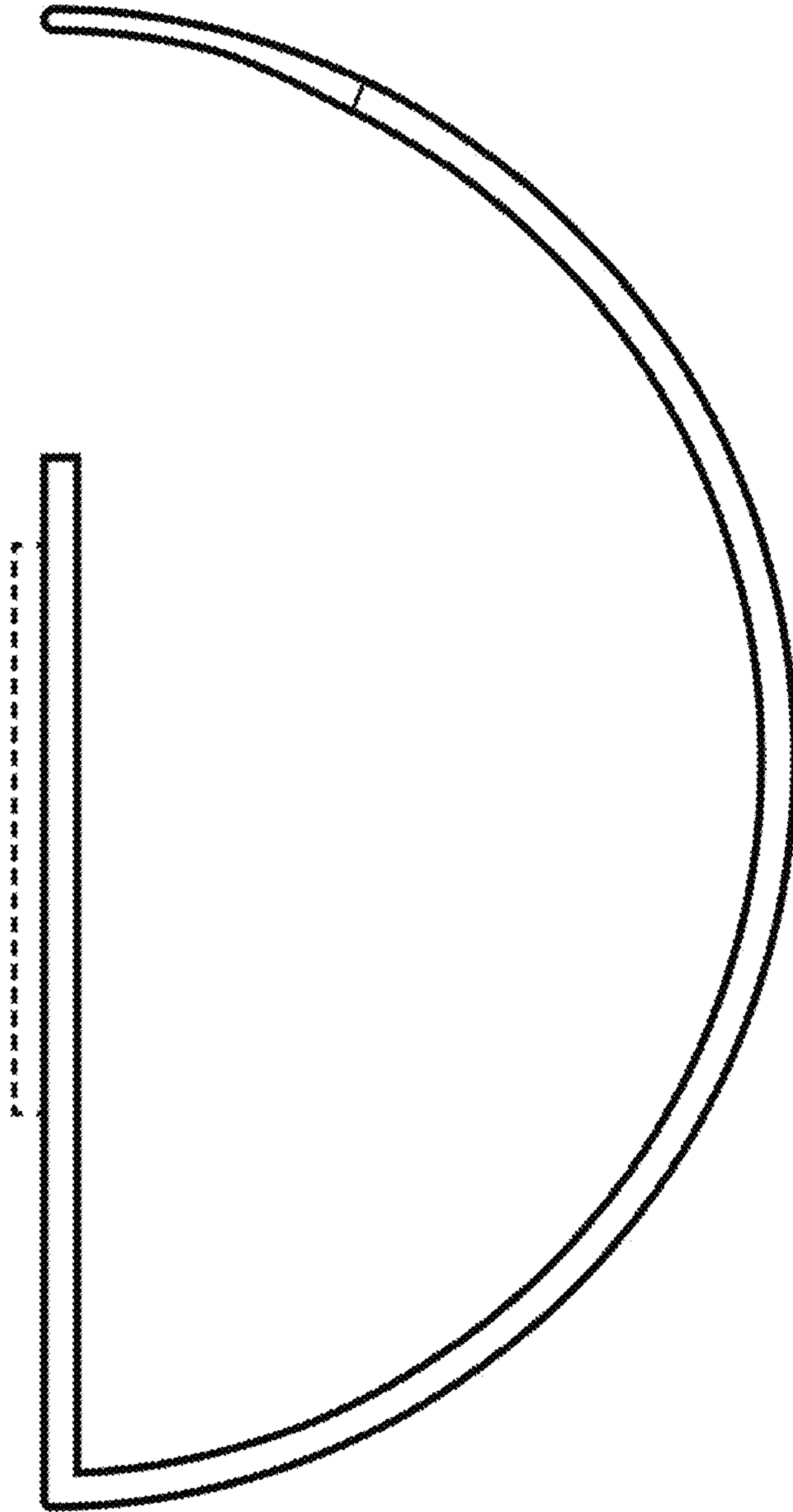


FIG. 3

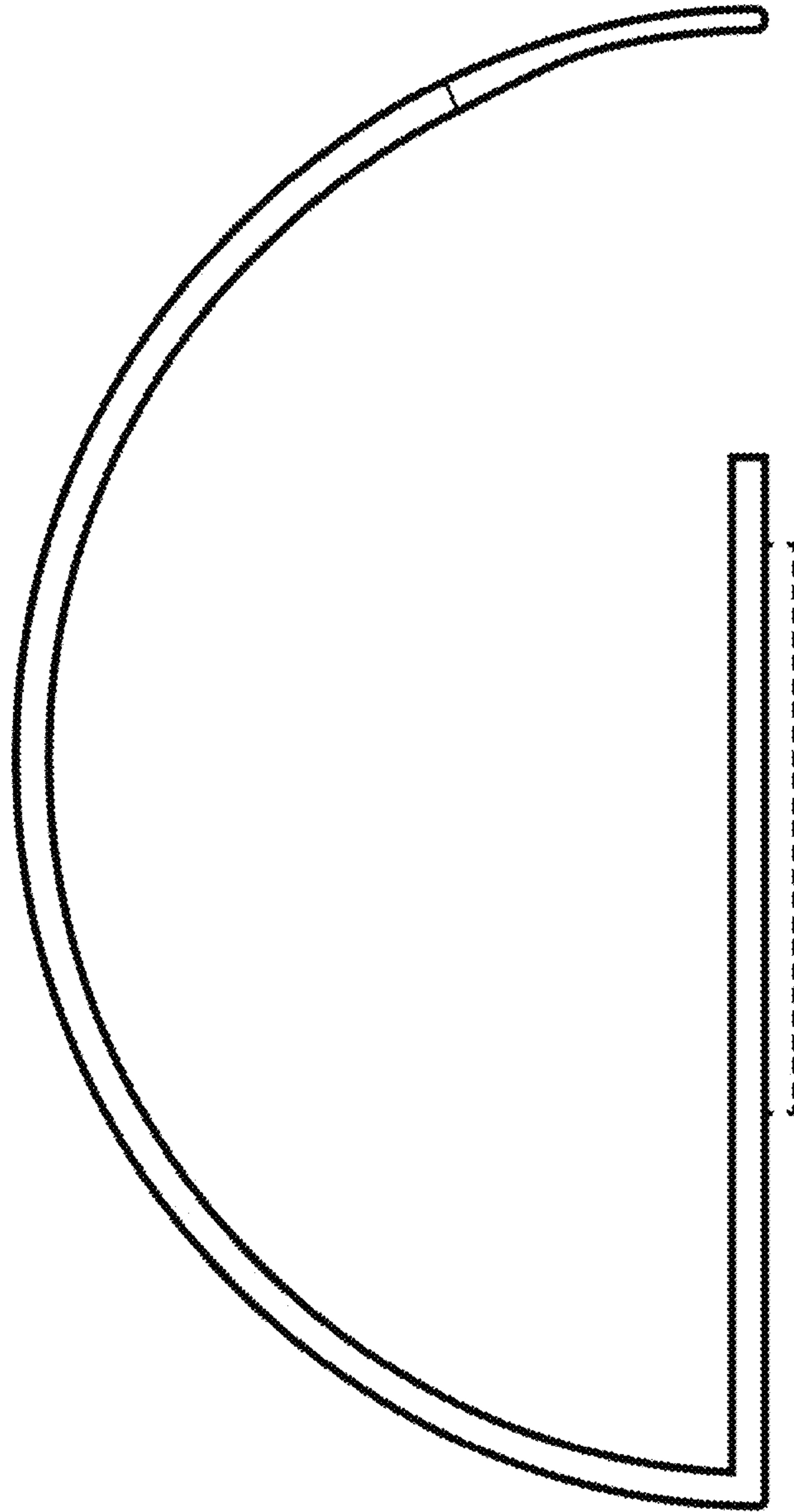


FIG. 4



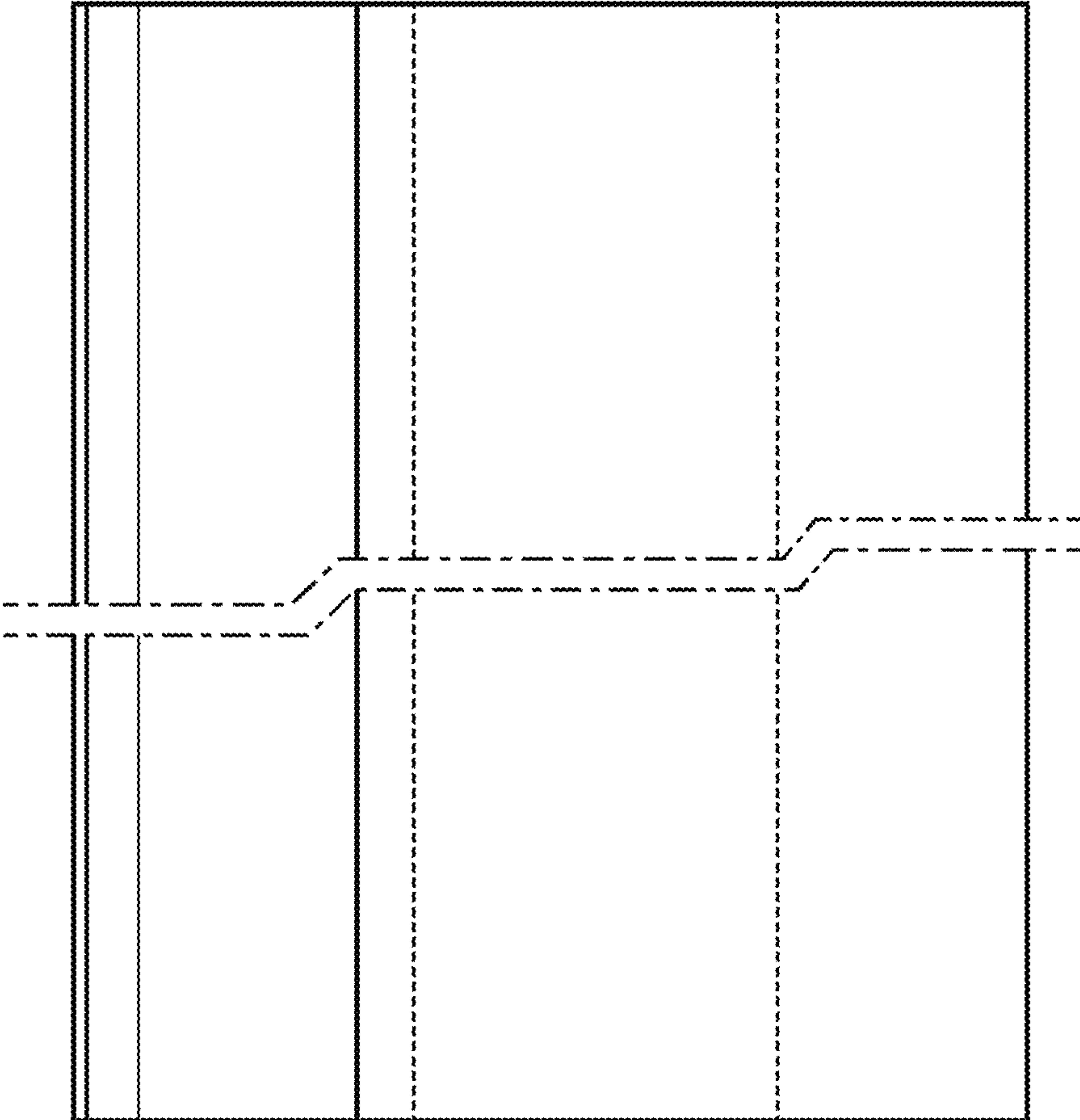


FIG. 5

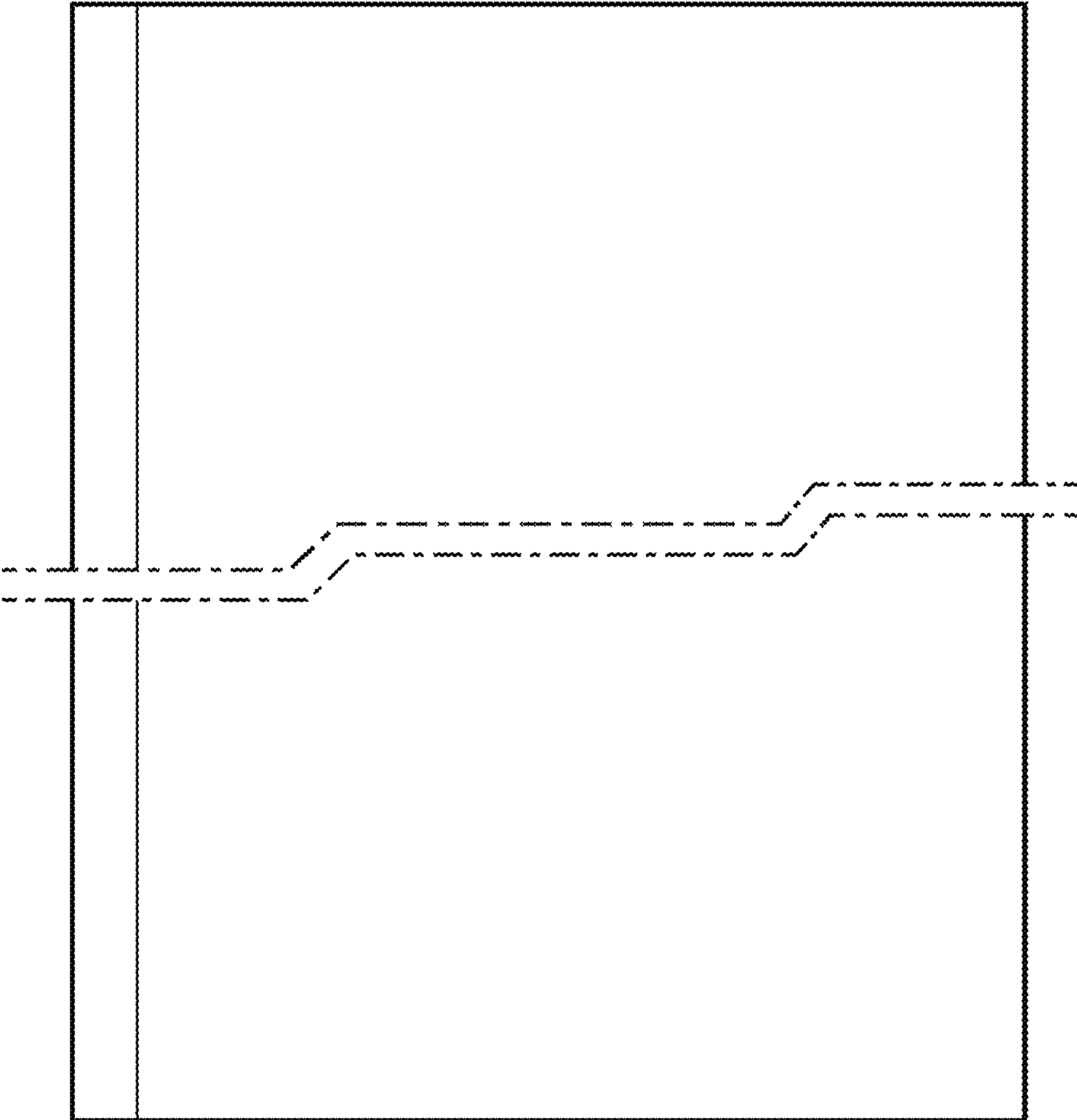


FIG. 6



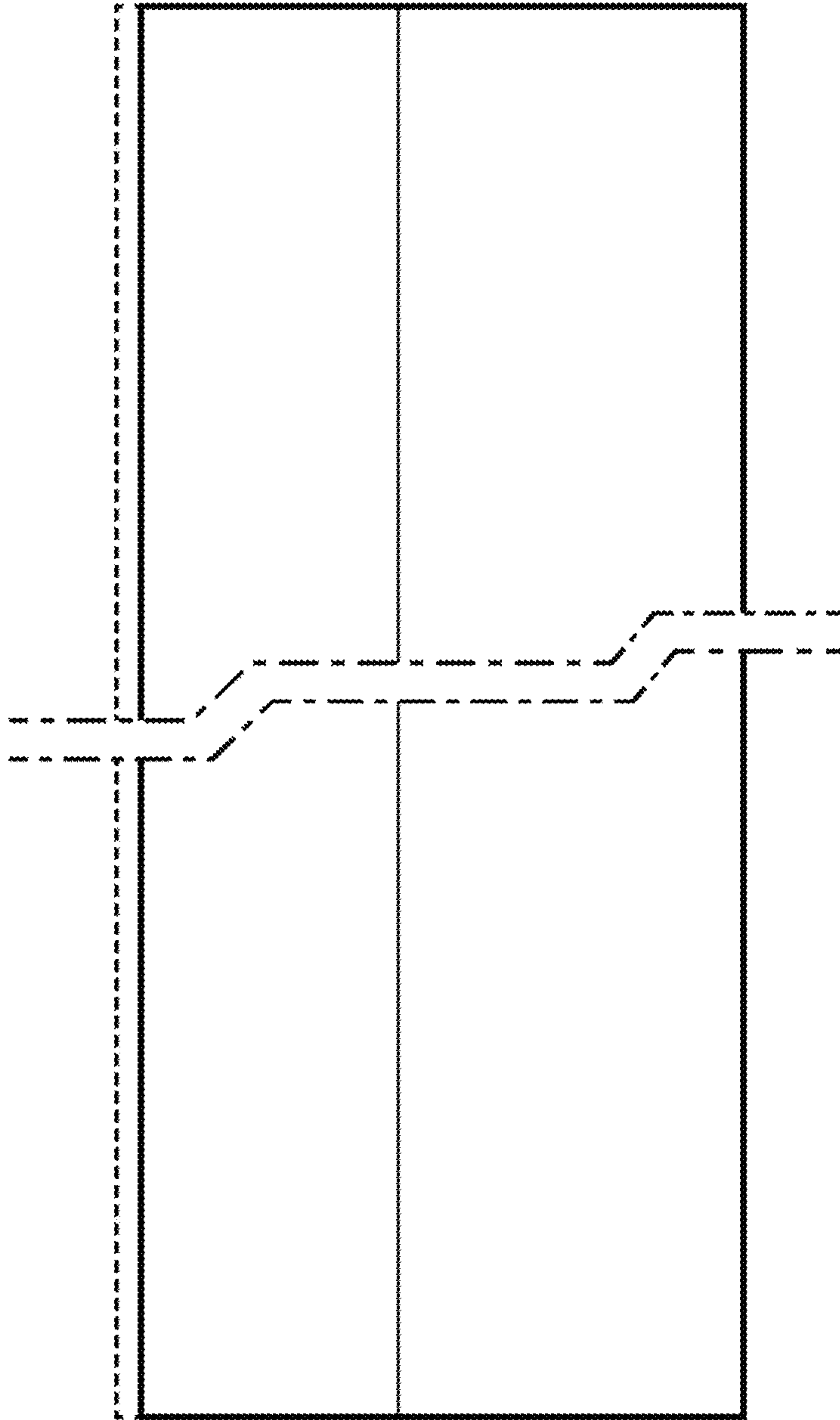


FIG. 7

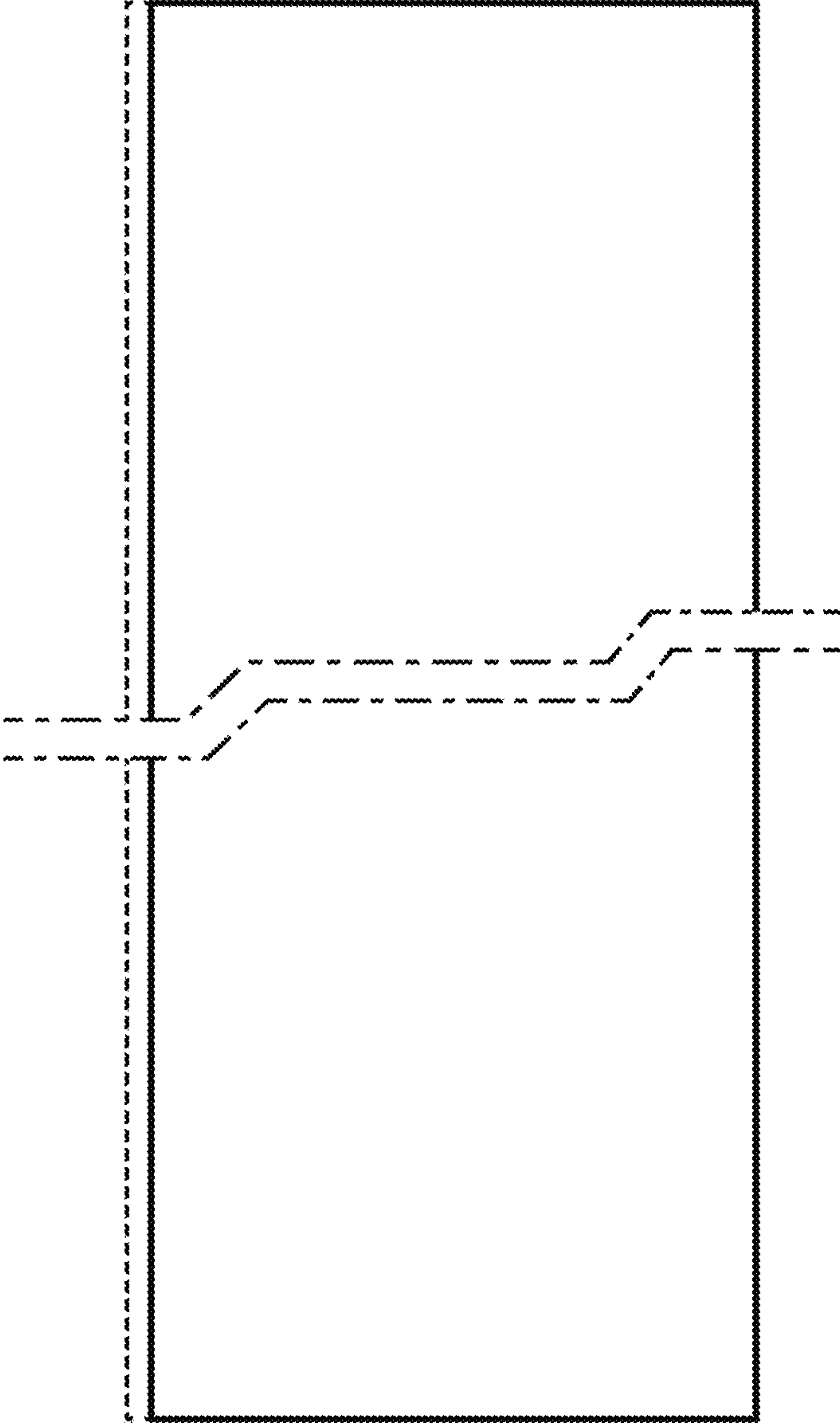


FIG. 8