



US00D941119S

(12) **United States Design Patent**
Teng

(10) **Patent No.:** **US D941,119 S**

(45) **Date of Patent:** **** Jan. 18, 2022**

- (54) **SUPPORTING FRAME**
- (71) Applicant: **SYNCMOLD ENTERPRISE CORP.**,
New Taipei (TW)
- (72) Inventor: **Ming-Hung Teng**, New Taipei (TW)
- (73) Assignee: **SYNCMOLD ENTERPRISE CORP.**,
New Taipei (TW)

D695,592 S *	12/2013	White	D8/354
D699,097 S *	2/2014	Chung	D8/354
D701,107 S *	3/2014	White	D8/354
D729,043 S *	5/2015	Poppell	D8/354
D747,177 S *	1/2016	McGinty	D8/349
D750,468 S *	3/2016	Bird	D8/354
D750,469 S *	3/2016	Bird	D8/354
D763,062 S *	8/2016	Tatem	D8/354

(**) Term: **15 Years**

* cited by examiner

Primary Examiner — Mark A Goodwin

(21) Appl. No.: **29/746,585**

(74) *Attorney, Agent, or Firm* — Muncy, Geissler, Olds and Lowe, P.C.

(22) Filed: **Aug. 14, 2020**

(57) **CLAIM**

(51) **LOC (13) Cl.** **08-08**

The ornamental design for a supporting frame, as shown and described.

(52) **U.S. Cl.**

DESCRIPTION

USPC **D8/349**

(58) **Field of Classification Search**

USPC D8/363, 373, 354, 394, 349; D16/200,
D16/204, 208, 213–219, 235, 237–250;
D14/203, 209, 217, 224, 250–253, 345,
D14/440

CPC G03B 17/02; G03B 17/04; G03B 17/14;
G03B 21/20–2066; G03B 15/041–0436;
G03B 17/56; G03B 17/19

See application file for complete search history.

FIG. 1 is a perspective view of a supporting frame showing the claimed design in an unfolded configuration;
FIG. 2 is a front view thereof;
FIG. 3 is a rear view thereof;
FIG. 4 is a left side view thereof;
FIG. 5 is a right side view thereof;
FIG. 6 is a top view thereof;
FIG. 7 is a bottom view thereof;
FIG. 8 is another perspective view showing the claimed design in the unfolded configuration for supporting an electronic device;

(56) **References Cited**

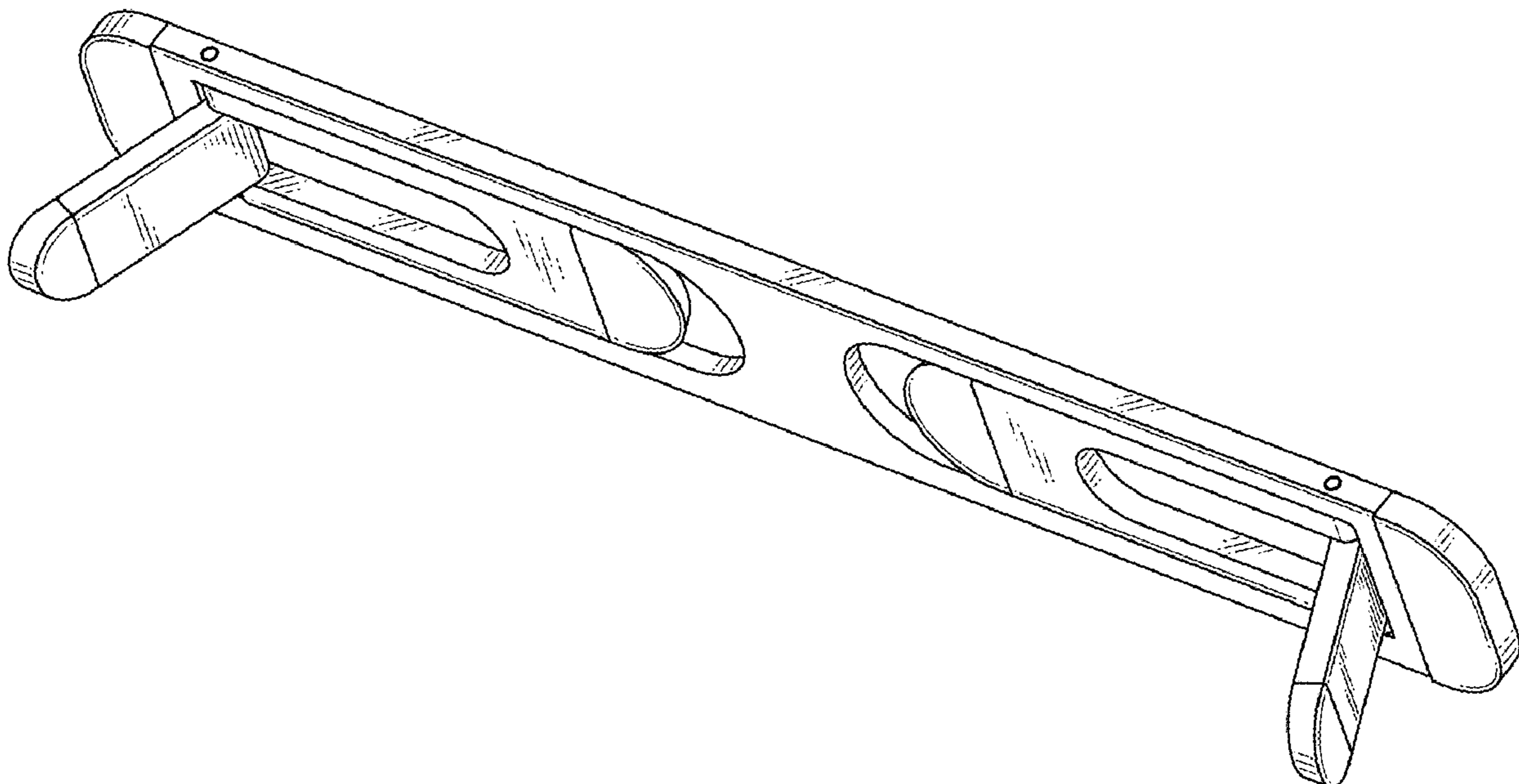
U.S. PATENT DOCUMENTS

D622,578 S *	8/2010	Kollman	D8/380
D649,016 S *	11/2011	Rasmussen	D8/354
D655,149 S *	3/2012	Dotsey	D8/354
D663,190 S *	7/2012	Mota	D8/349
D667,288 S *	9/2012	Preda	D8/354
D667,289 S *	9/2012	Preda	D8/354
D684,032 S *	6/2013	Randle	D8/349
D684,033 S *	6/2013	Preda	D8/354

FIG. 9 is another perspective view showing the claimed design being in another unfolded configuration; and,
FIG. 10 is another perspective view showing the claimed design being in a folded configuration.

The broken lines are directed to environment and are for illustrative purpose only; the broken lines form no part of the claimed design.

1 Claim, 10 Drawing Sheets



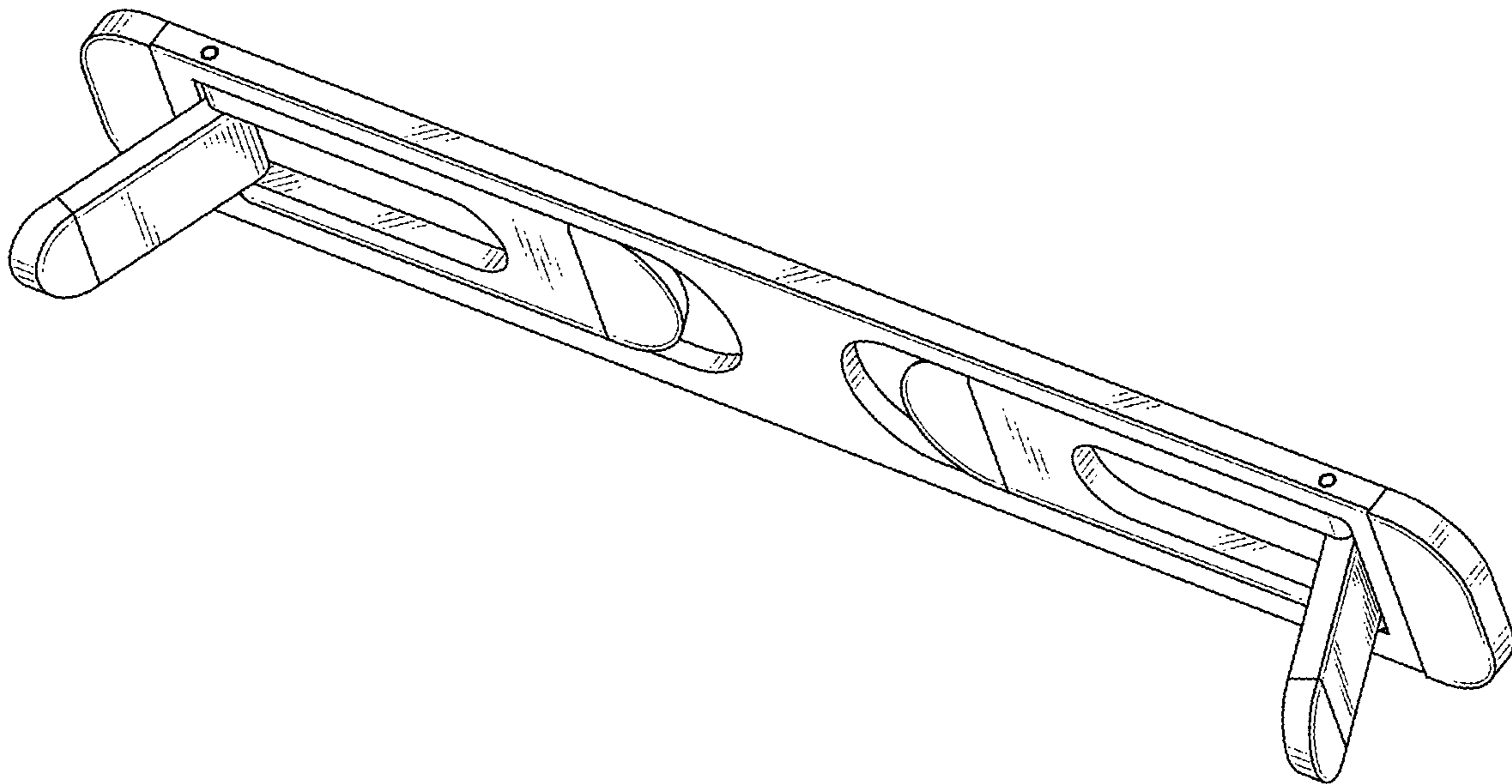


FIG. 1

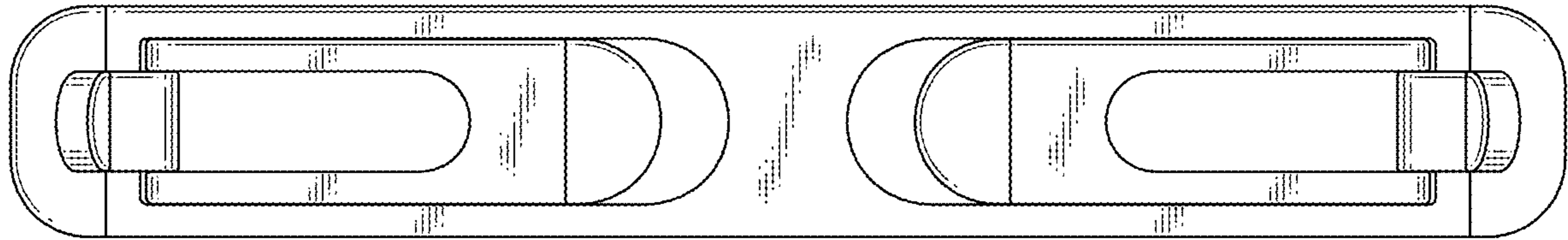


FIG. 2

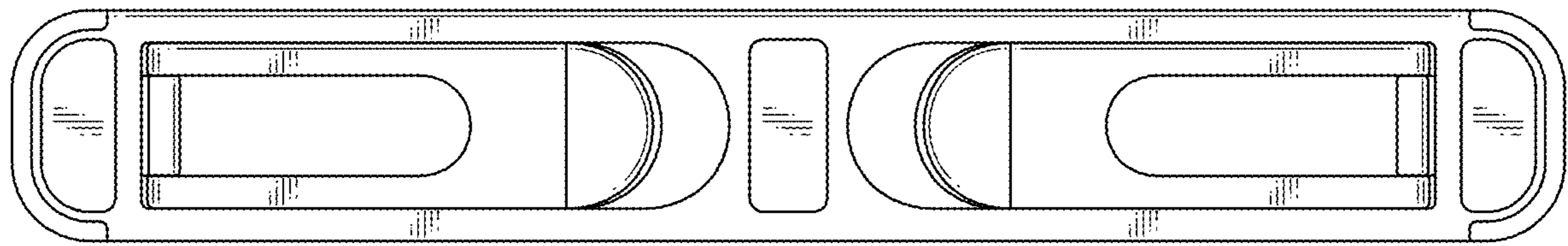


FIG. 3

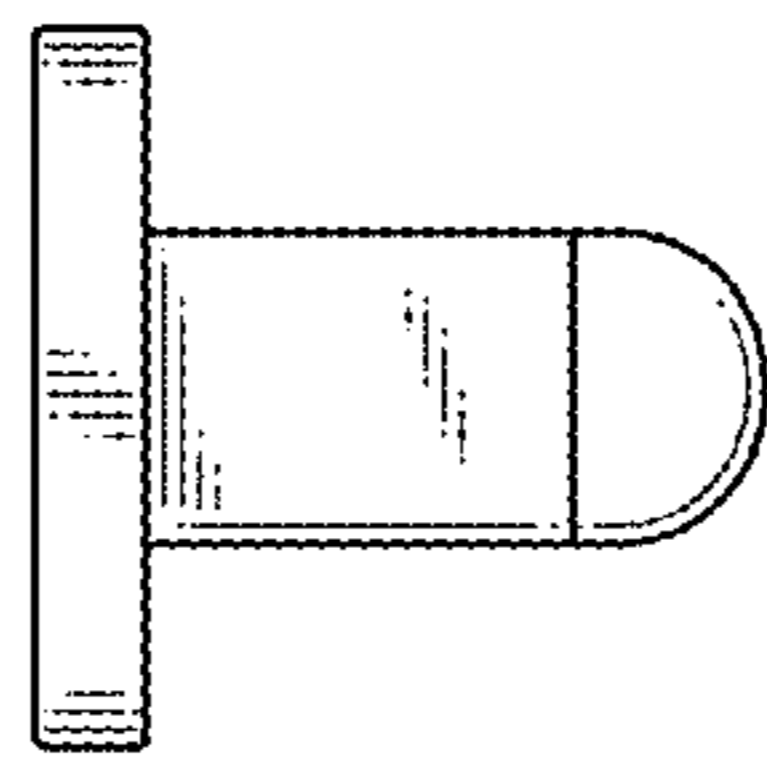


FIG. 4

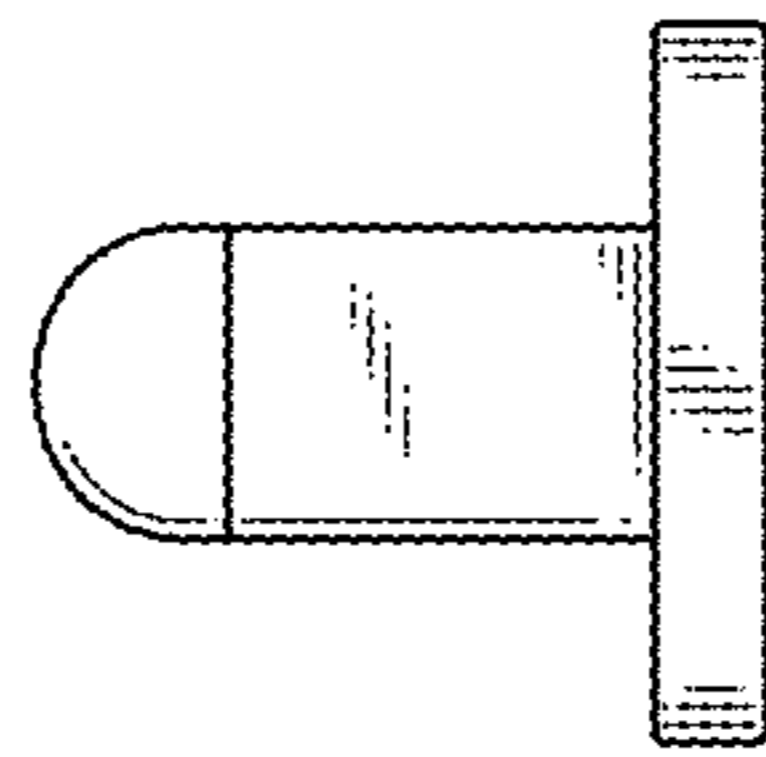


FIG. 5

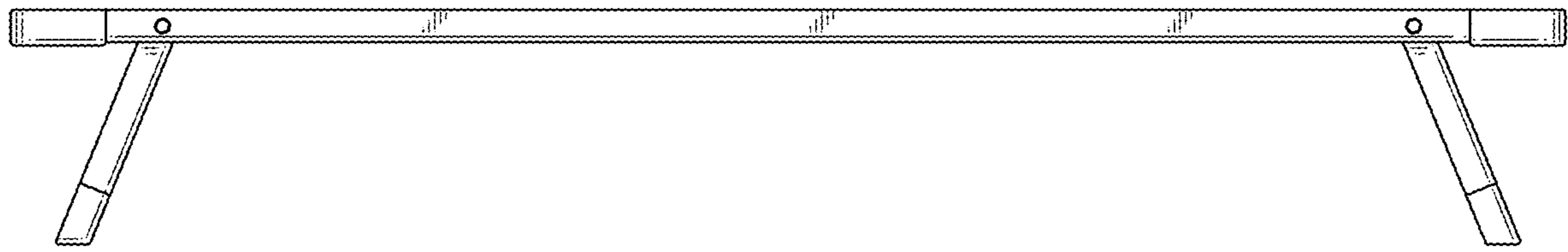


FIG. 6



FIG. 7

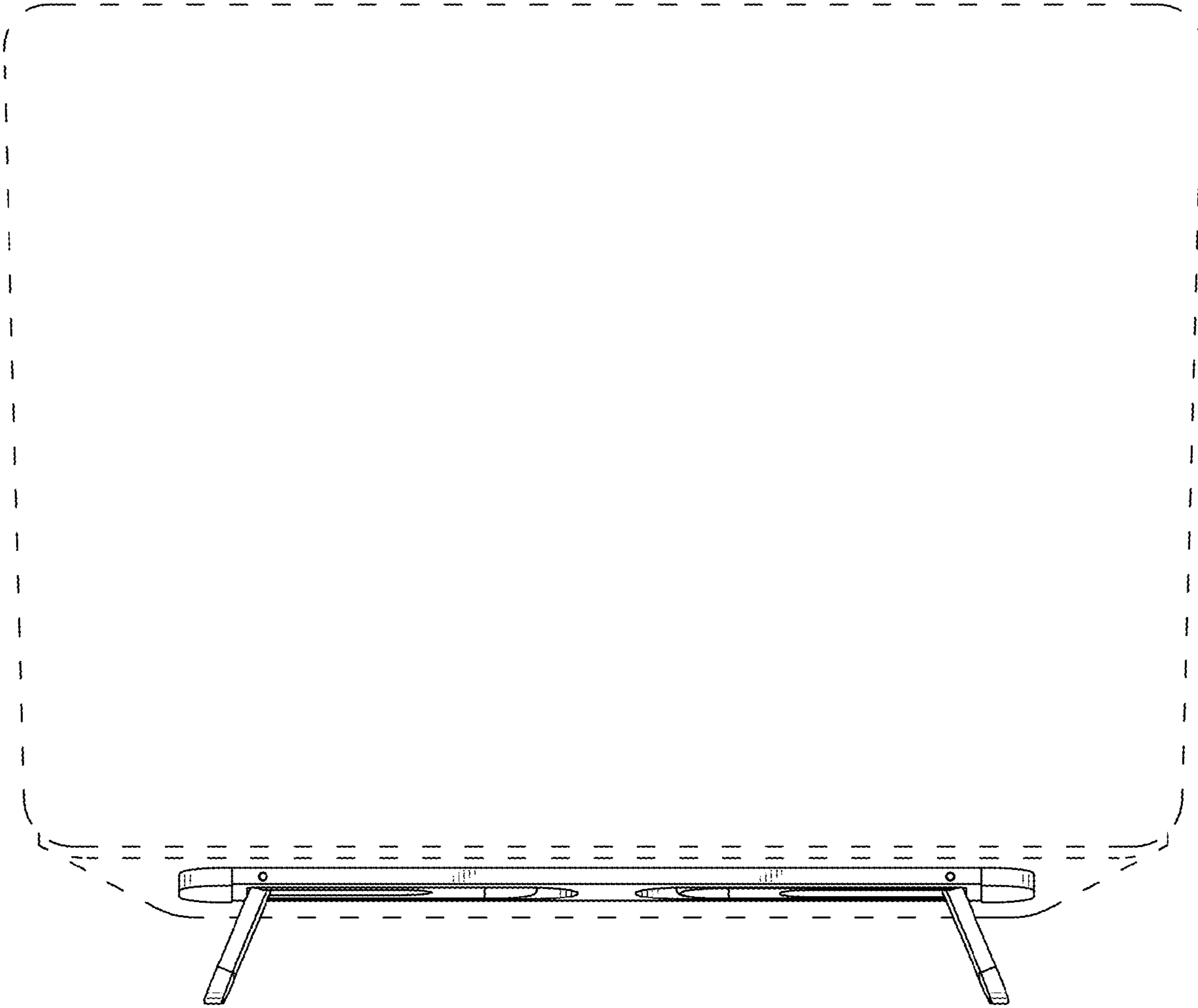


FIG. 8

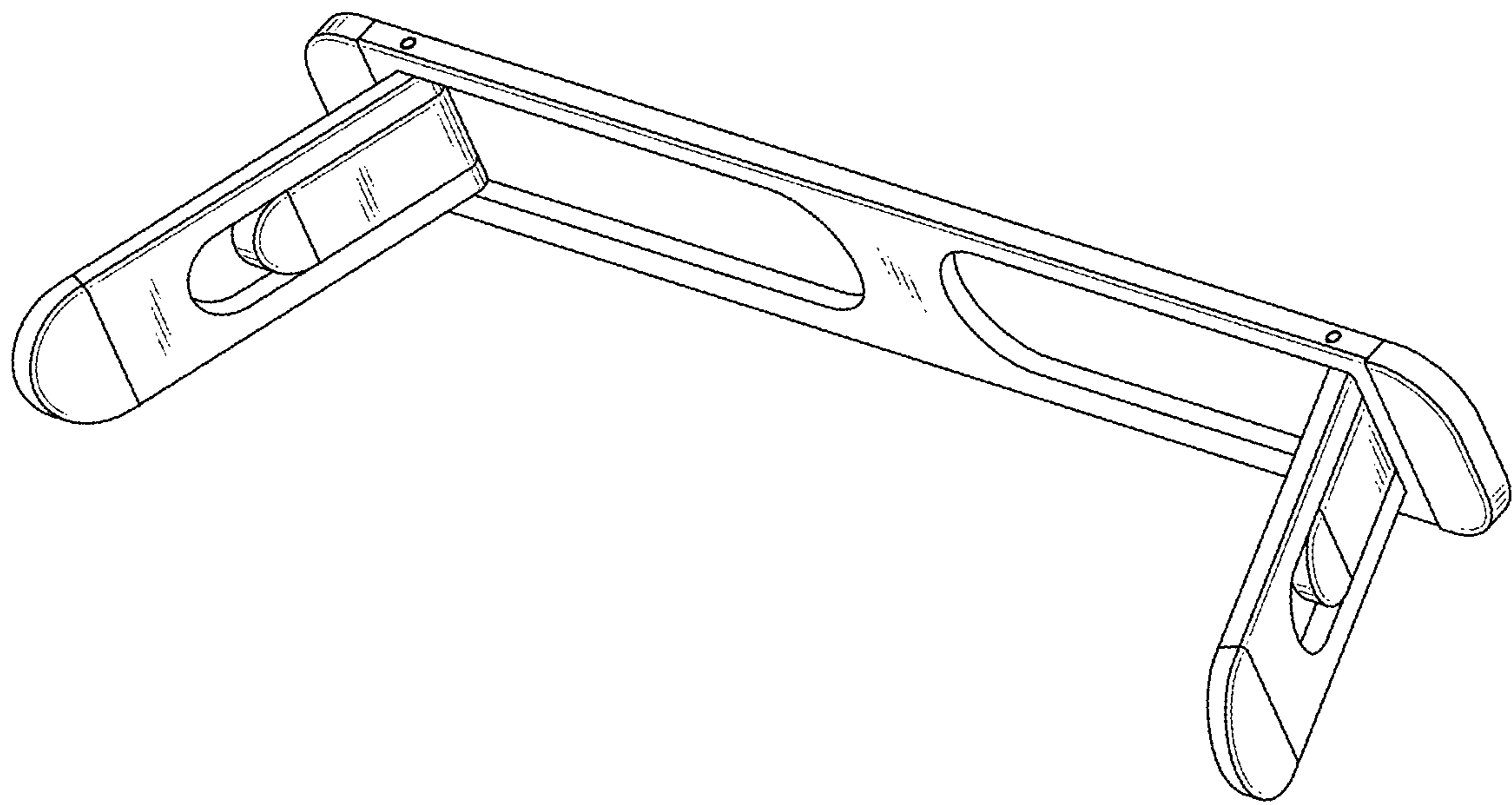


FIG. 9

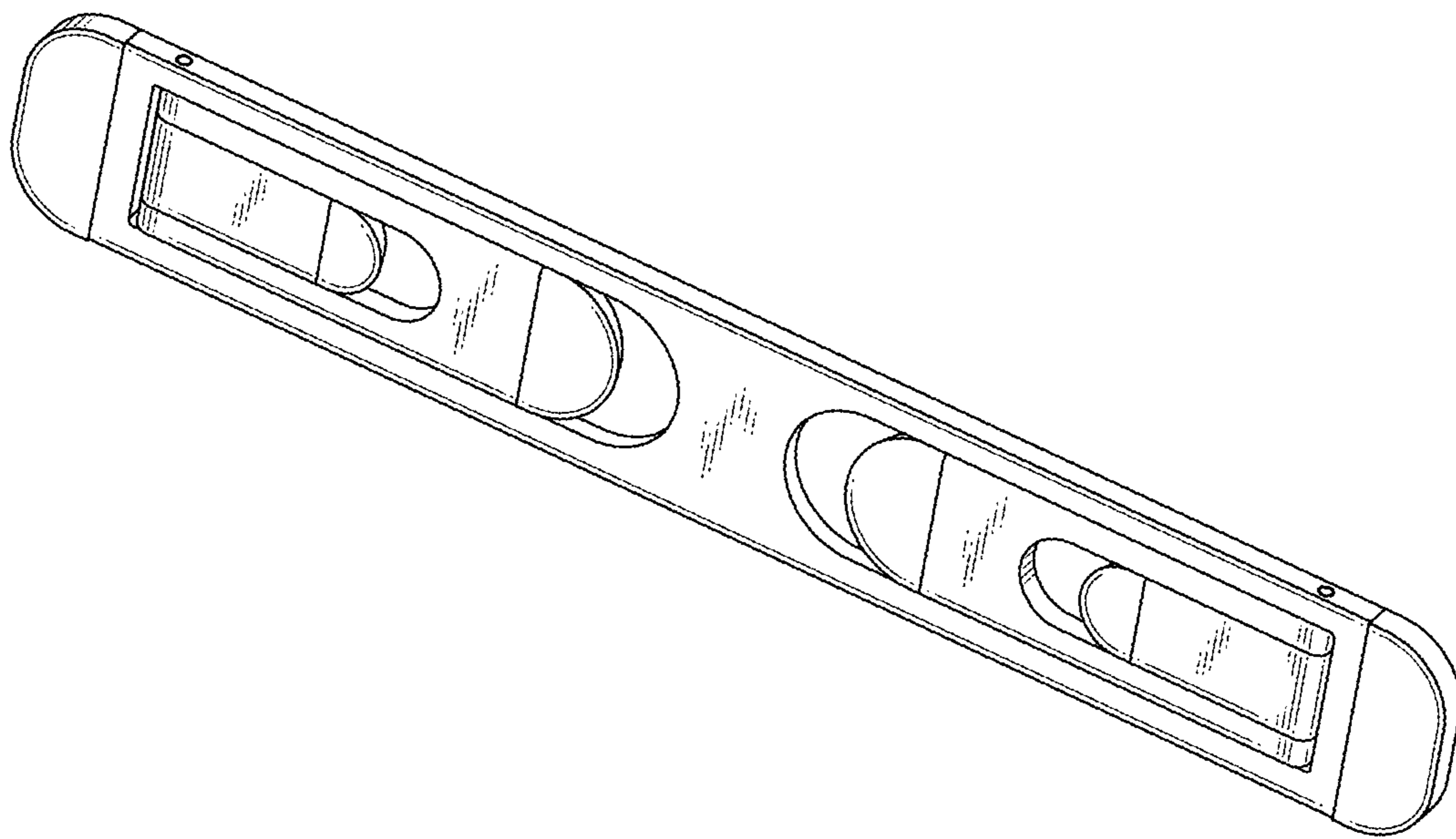


FIG. 10