



US00D941118S

(12) **United States Design Patent**  
**Li et al.**

(10) **Patent No.:** **US D941,118 S**  
(45) **Date of Patent:** **\*\* Jan. 18, 2022**

(54) **SENSOR BRACKET**

(71) Applicant: **Shenzhen Guo Dong Intelligent Drive Technologies Co., Ltd.**, Shenzhen (CN)

(72) Inventors: **Chengbo Li**, Guangdong (CN);  
**Jianxiong Xiao**, Guangdong (CN);  
**Zhuo Li**, Guangdong (CN); **Yuhan Long**, Guangdong (CN); **Peng Liu**, Guangdong (CN); **Janwei Pan**, Guangdong (CN)

(73) Assignee: **Shenzhen Guo Dong Intelligent Drive Technologies Co., Ltd.**, Shenzhen (CN)

(\*\*) Term: **15 Years**

(21) Appl. No.: **29/721,215**

(22) Filed: **Jan. 18, 2020**

(30) **Foreign Application Priority Data**

Jan. 6, 2020 (CN) ..... 202030005518.0

(51) **LOC (13) Cl.** ..... **08-08**

(52) **U.S. Cl.**  
USPC ..... **D8/349**

(58) **Field of Classification Search**  
USPC ..... D8/349, 354, 364, 382, 394, 395;  
D14/432-461  
CPC .... G06F 1/1616; G06F 1/1626; G06F 1/1632;  
H01M 10/44; F16M 11/10; H02J 7/0042;  
H02J 7/00; H02J 7/0027; H02J 7/0044;  
H02J 7/0045; H02J 7/355; H01R 31/065  
See application file for complete search history.

(56) **References Cited**

**U.S. PATENT DOCUMENTS**

D724,093 S \* 3/2015 Dong ..... D14/440  
D761,236 S \* 7/2016 Wengreen ..... D14/238.1

D801,976 S \* 11/2017 Li ..... D14/440  
D803,220 S \* 11/2017 Li ..... D14/440  
D818,466 S \* 5/2018 Chang ..... D14/341  
D826,931 S \* 8/2018 Chang ..... D14/341  
D831,462 S \* 10/2018 McSweyn ..... D8/349  
D861,662 S \* 10/2019 Ahn ..... D14/250  
10,649,489 B2 \* 5/2020 Kuna ..... H04B 5/0037  
D888,062 S \* 6/2020 Piper ..... D14/440  
10,809,763 B2 \* 10/2020 Abe ..... G06F 1/1616  
10,809,764 B2 \* 10/2020 Cheung ..... H02G 3/14

\* cited by examiner

*Primary Examiner* — Mark A Goodwin

*Assistant Examiner* — Benjamin M Weeks

(74) *Attorney, Agent, or Firm* — Andrew C. Cheng

(57) **CLAIM**

We claim the ornamental design for a sensor bracket, as shown and described.

**DESCRIPTION**

FIG. 1 is a perspective view of a sensor bracket showing my new design.

FIG. 2 is a perspective view of the sensor bracket of FIG. 1, viewed front another aspect.

FIG. 3 is a front view of the sensor bracket of FIG. 1.

FIG. 4 is a rear view of the sensor bracket of FIG. 1.

FIG. 5 is a left side view of the sensor bracket of FIG. 1.

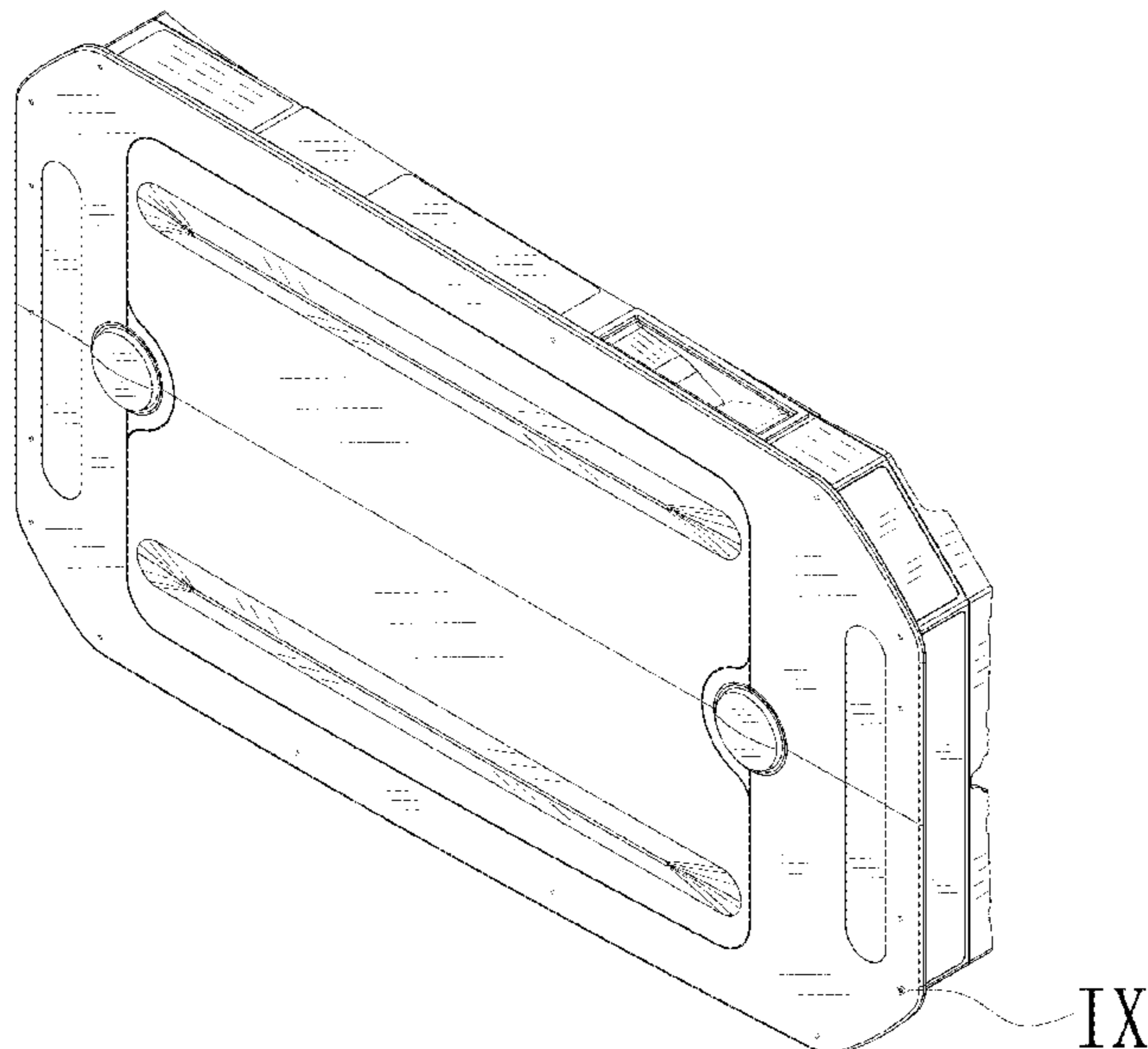
FIG. 6 is a right side view of the sensor bracket of FIG. 1.

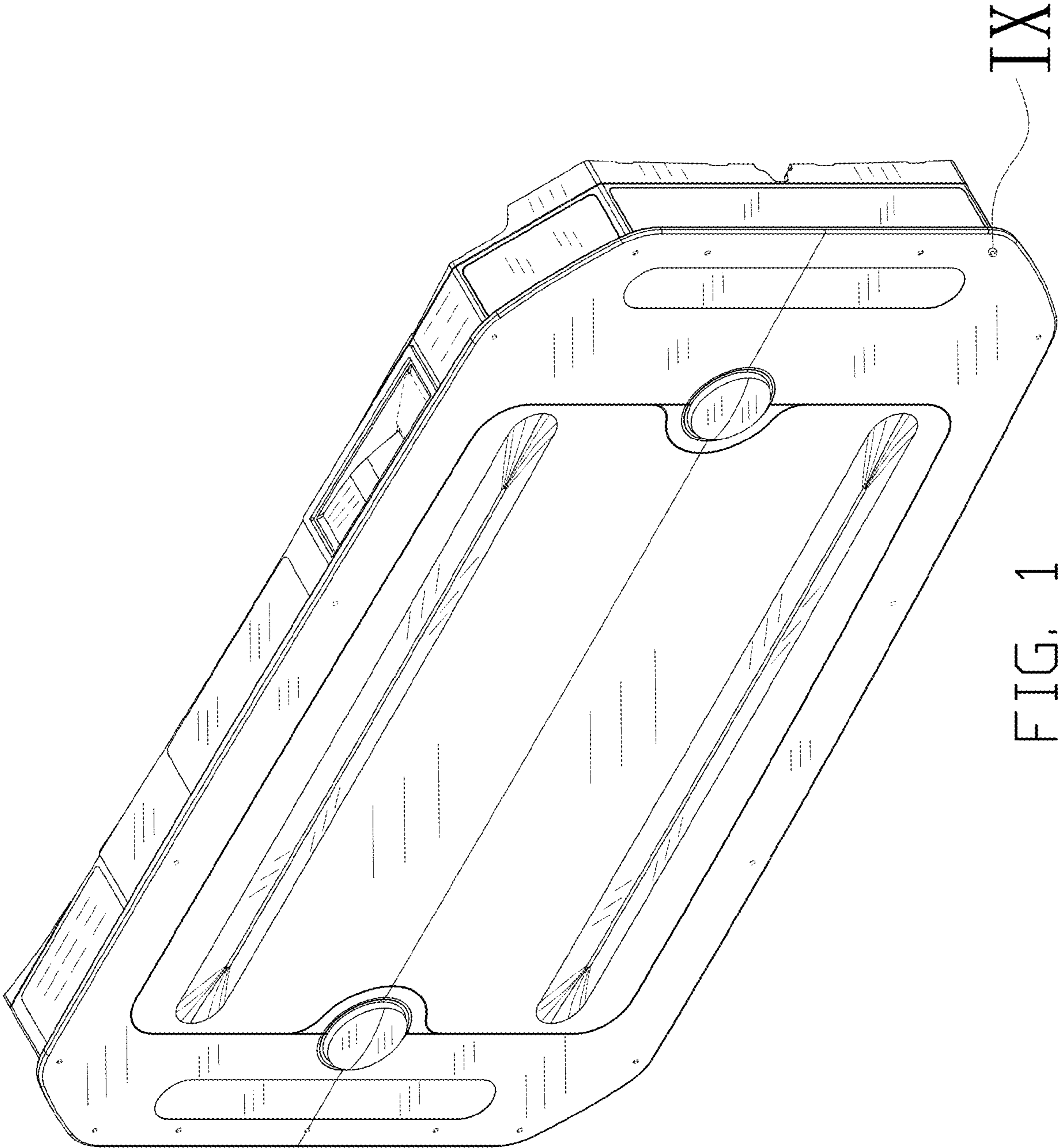
FIG. 7 is a top view of the sensor bracket of FIG. 1.

FIG. 8 is a bottom view of the sensor bracket of FIG. 1; and, FIG. 9 is an enlarged perspective view of a feature labeled IX thereof show in FIG. 1.

The broken line showing of the sensor bracket is for illustrative purposes only and forms no part of the claimed design. The numerous small holes/perforations shown in broken lines in FIG. 4 are disclaimed.

**1 Claim, 9 Drawing Sheets**





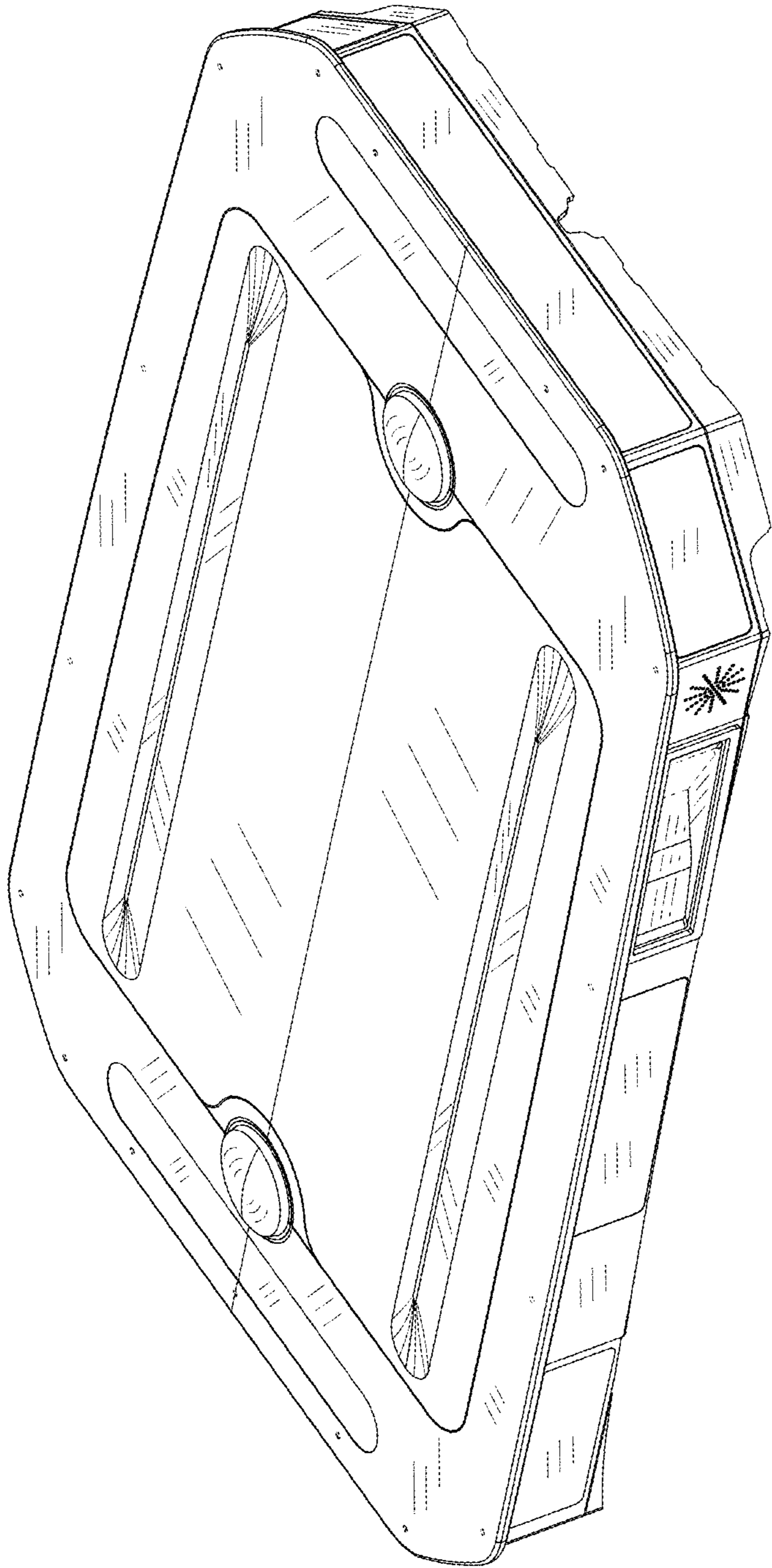


FIG. 2

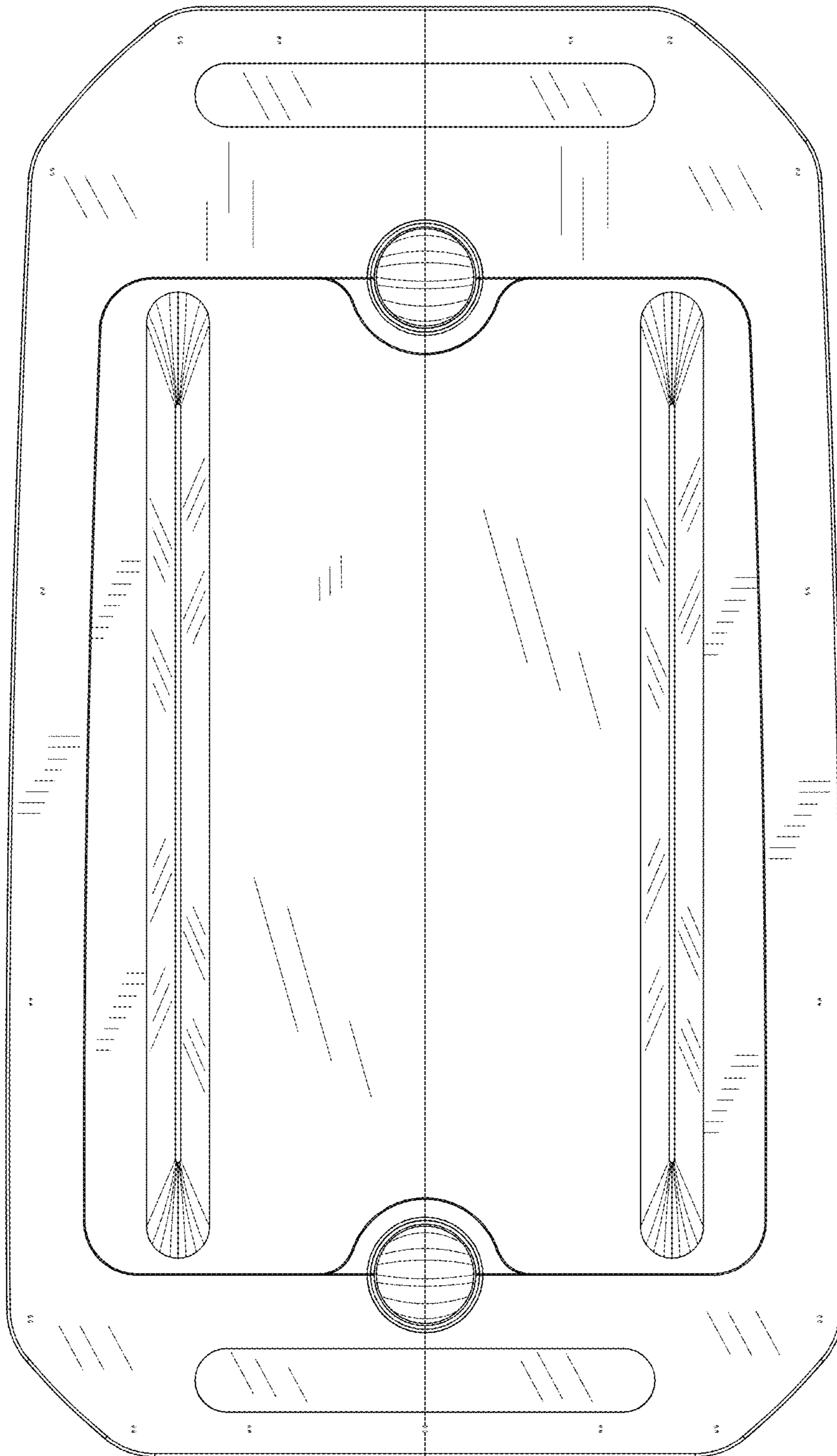


FIG. 3

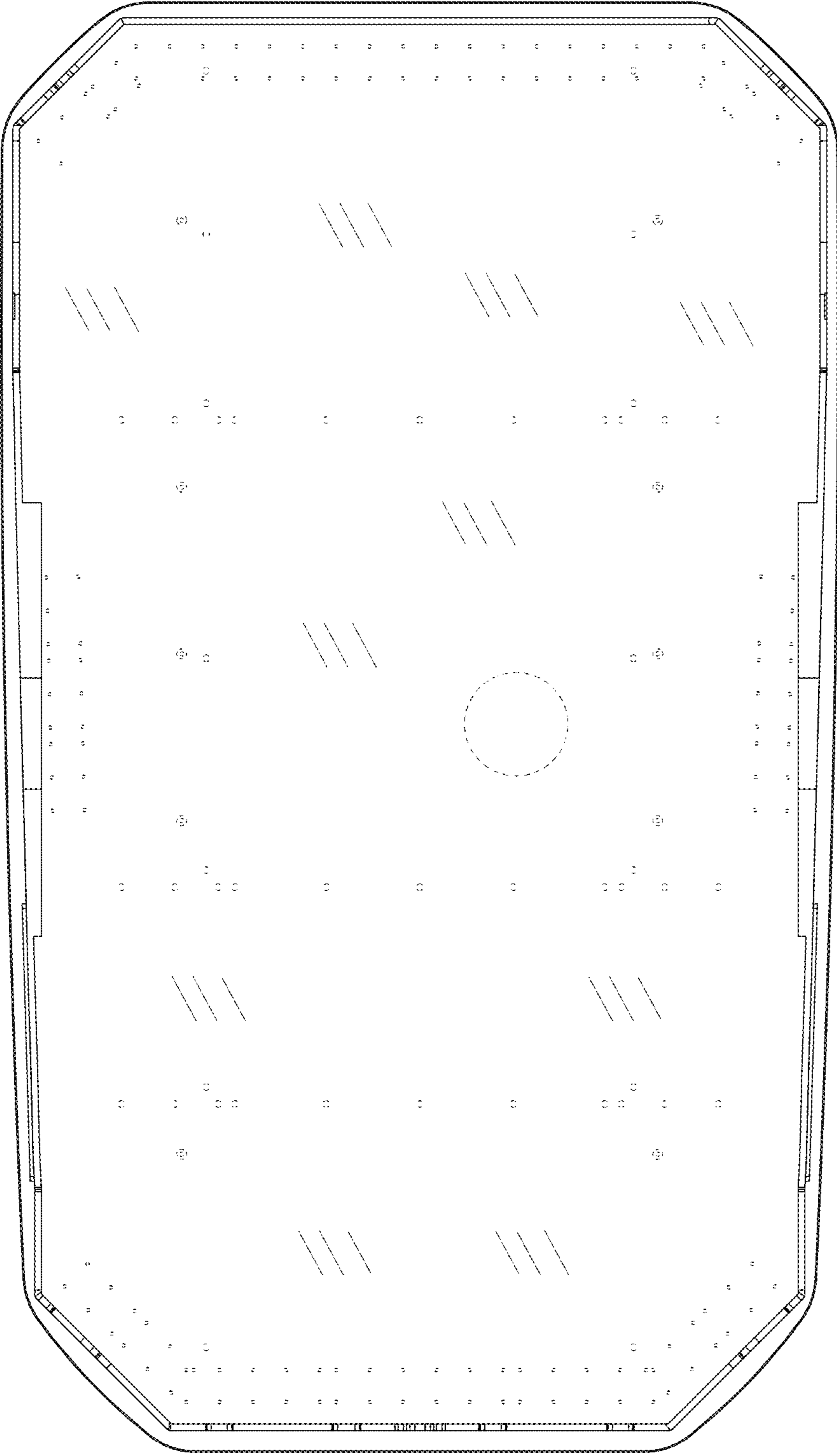


FIG. 4

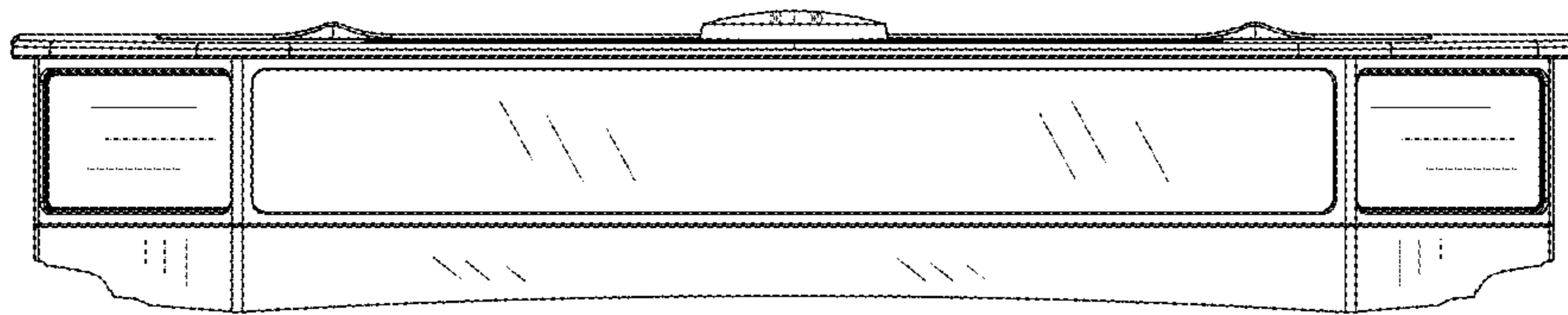


FIG. 5

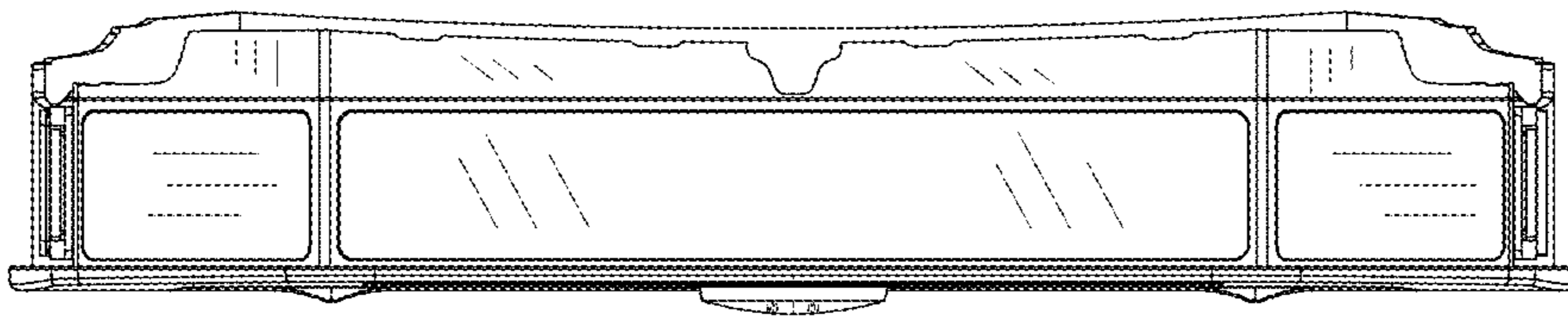


FIG. 6

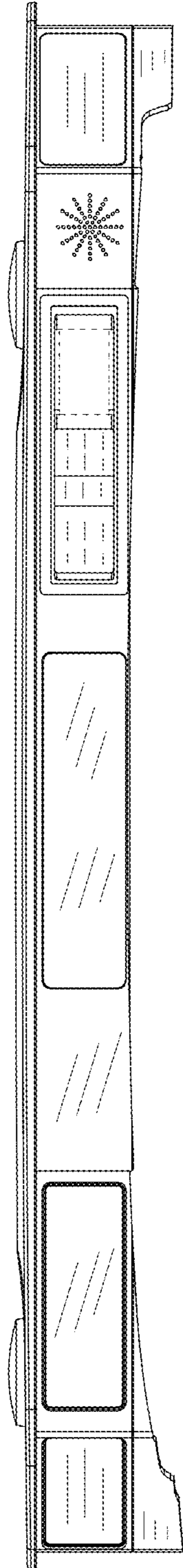


FIG. 7



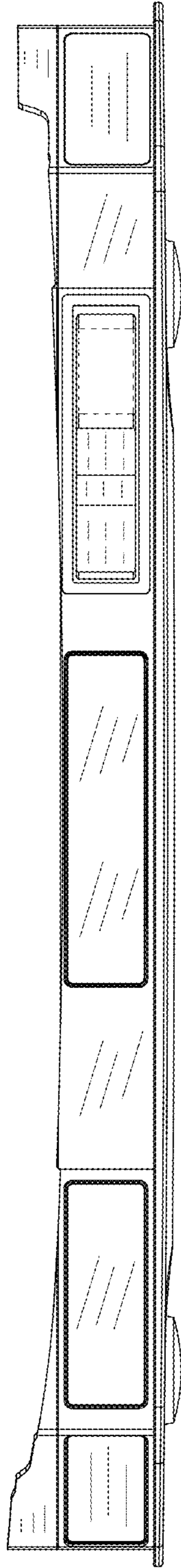
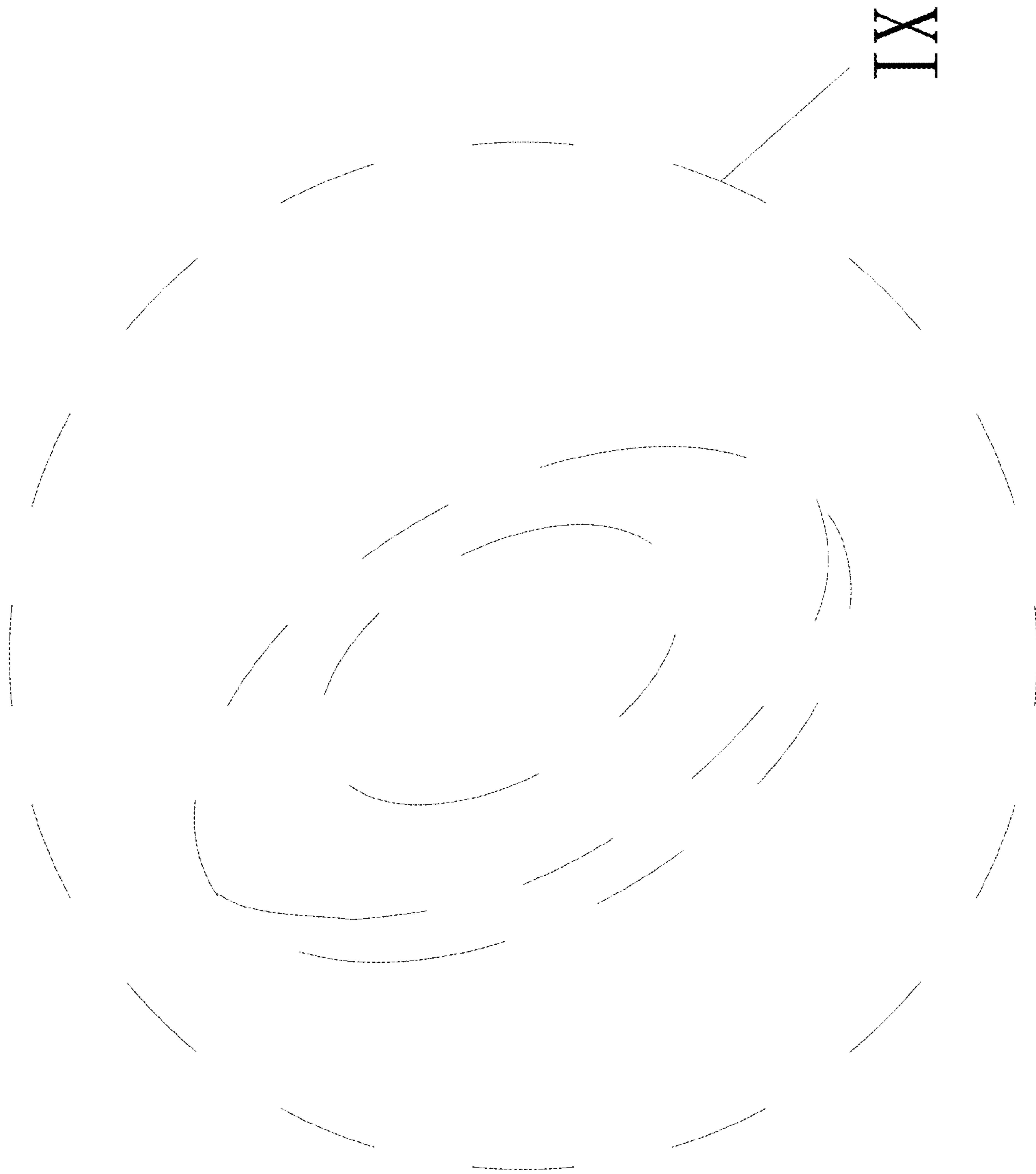


FIG. 8



IX

FIG. 9